



US00D484945S

(12) **United States Design Patent**
Ouyoung

(10) **Patent No.:** **US D484,945 S**

(45) **Date of Patent:** **** Jan. 6, 2004**

(54) **SHOWER HEAD**

(75) **Inventor:** **Scott Ouyoung**, Walnut Creek, CA
(US)

(73) **Assignee:** **Globe Union Industrial Corp.**,
Taichung (TW)

(**) **Term:** **14 Years**

(21) **Appl. No.:** **29/170,491**

(22) **Filed:** **Nov. 7, 2002**

(51) **LOC (7) Cl.** **23-01**

(52) **U.S. Cl.** **D23/213; D23/223**

(58) **Field of Search** **D23/213, 214,**
D23/223, 226; 239/525-6, 282

(56) **References Cited**

U.S. PATENT DOCUMENTS

D285,332 S * 8/1986 Trinkwalder D23/246
D418,200 S * 12/1999 Ben-Tsur D23/223

D457,937 S * 5/2002 Lindholm et al. D23/223
D466,185 S * 11/2002 Tse D23/223
D467,636 S * 12/2002 Boesch D23/223

* cited by examiner

Primary Examiner—Robin V. Taylor

(74) *Attorney, Agent, or Firm*—Leong C. Lei

(57) **CLAIM**

The ornamental design for a shower head, as shown and described.

DESCRIPTION

FIG. 1 is perspective view of a shower head showing my new design;

FIG. 2 is a front side elevation view thereof;

FIG. 3 is a left side elevation view thereof;

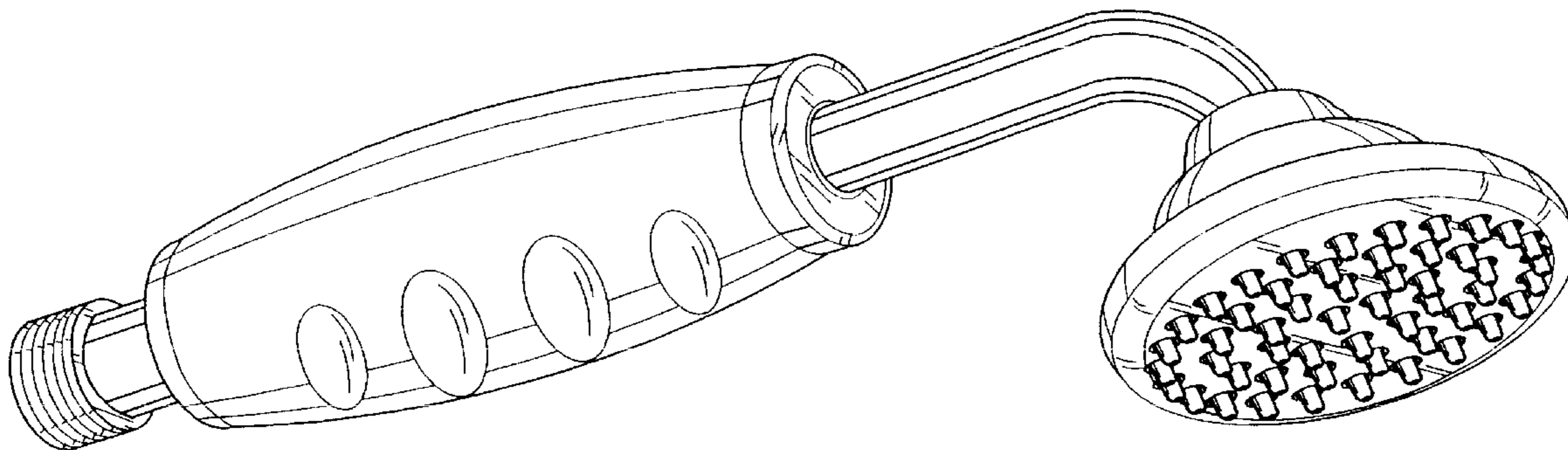
FIG. 4 is a right side elevation view thereof;

FIG. 5 is a rear side elevation view thereof;

FIG. 6 is a top plan view thereof; and,

FIG. 7 is a bottom plan view thereof.

1 Claim, 4 Drawing Sheets



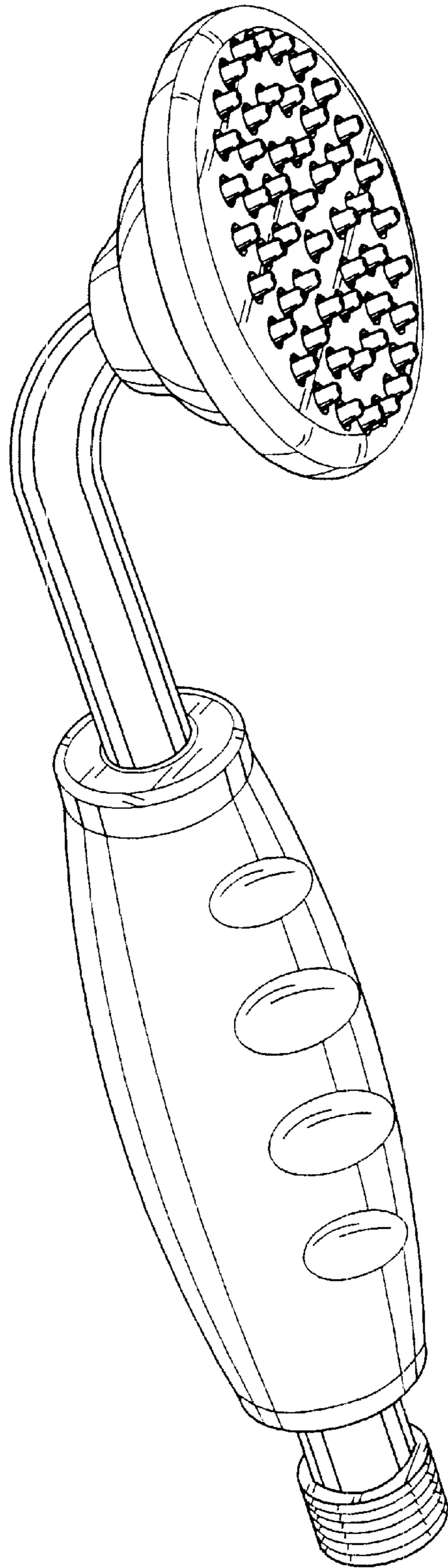


FIG. 1

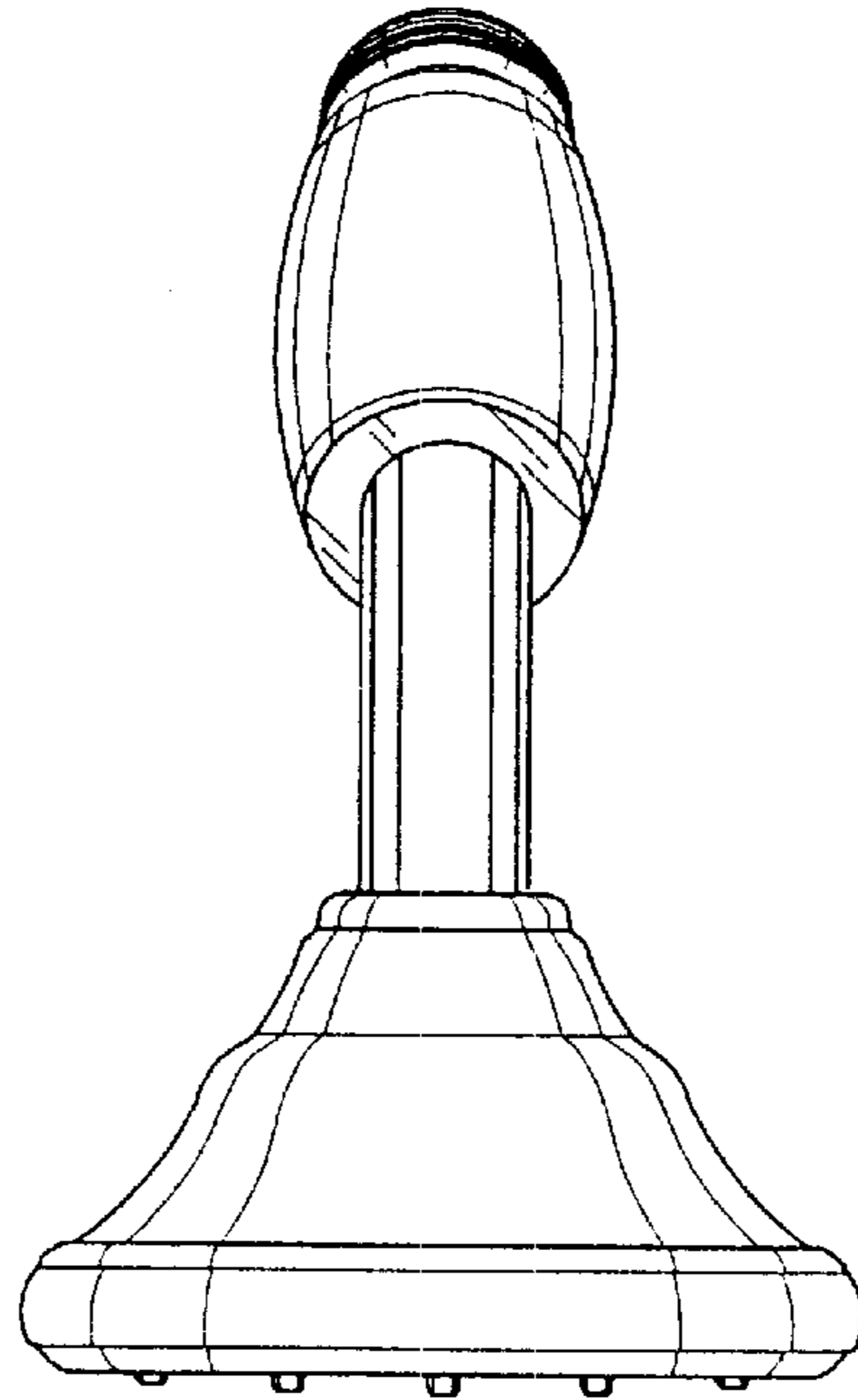


FIG. 2

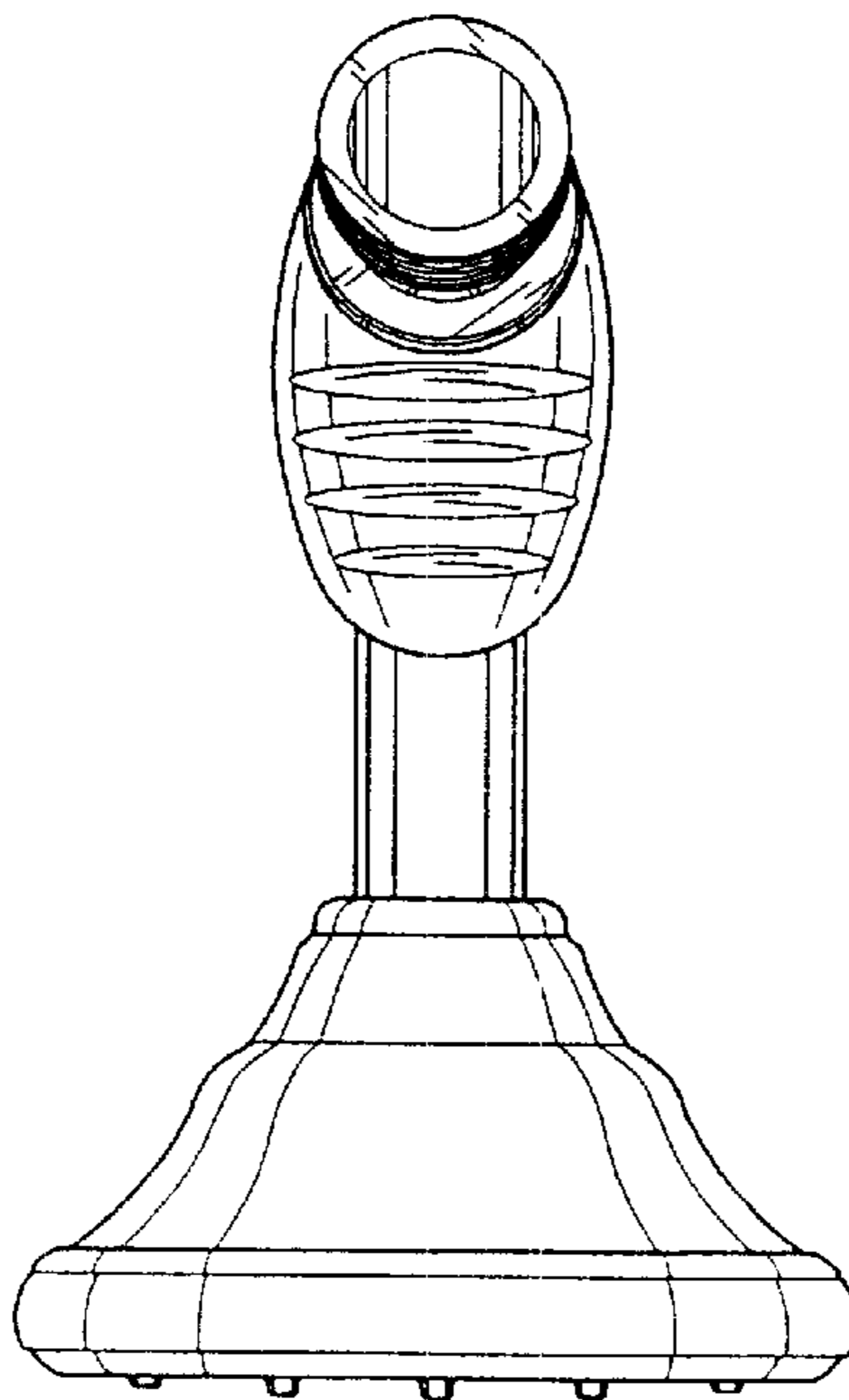


FIG. 5

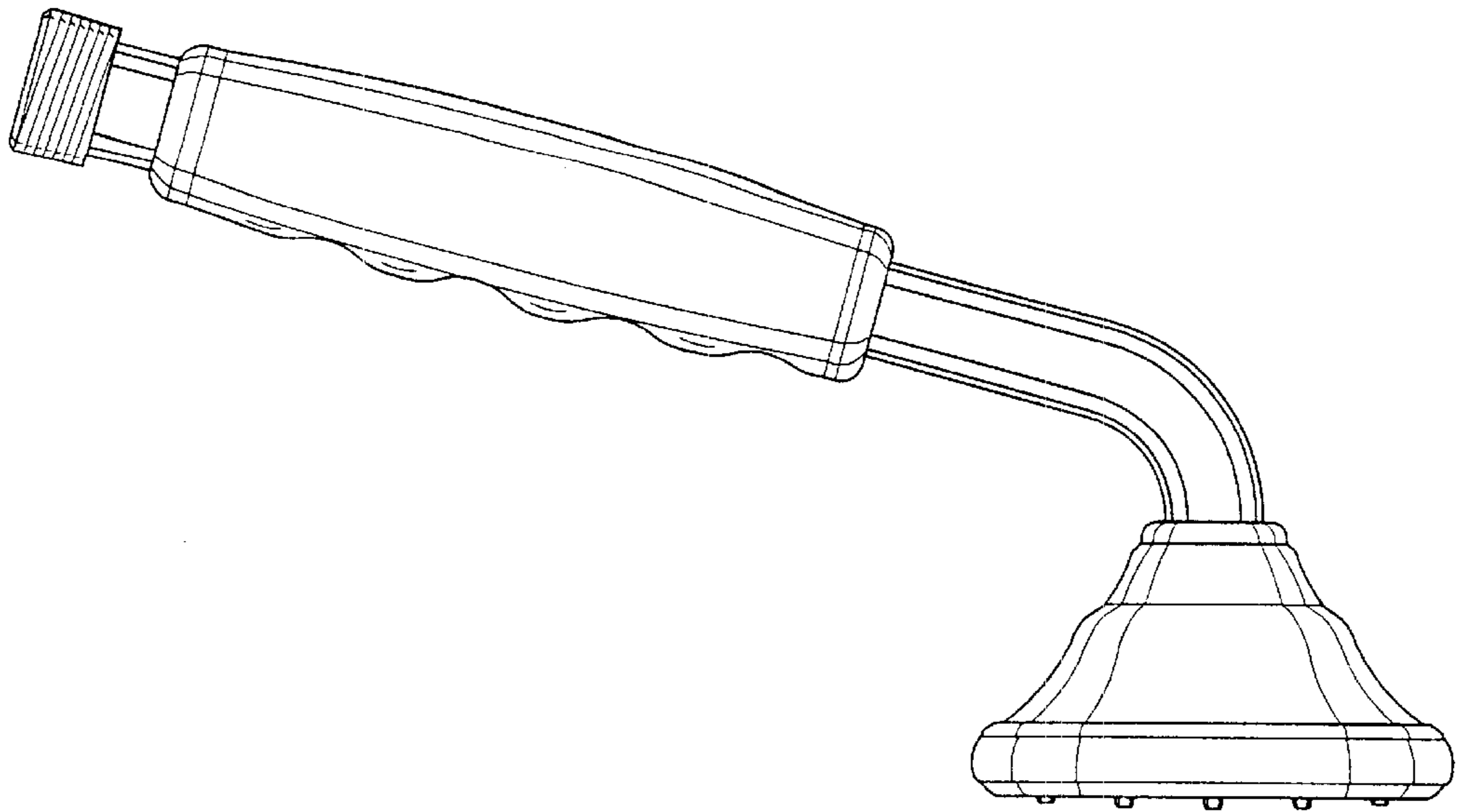


FIG. 3

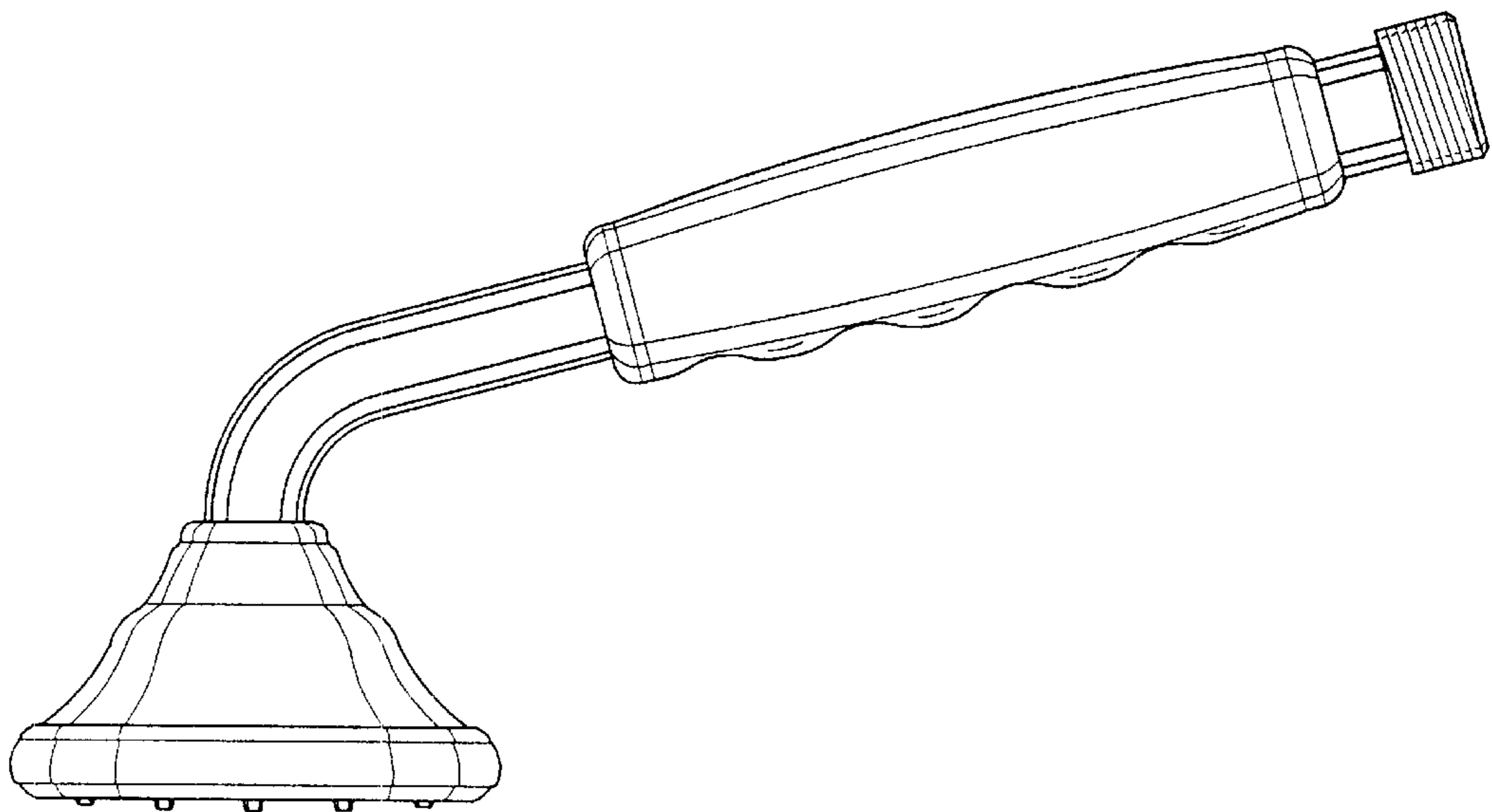


FIG. 4

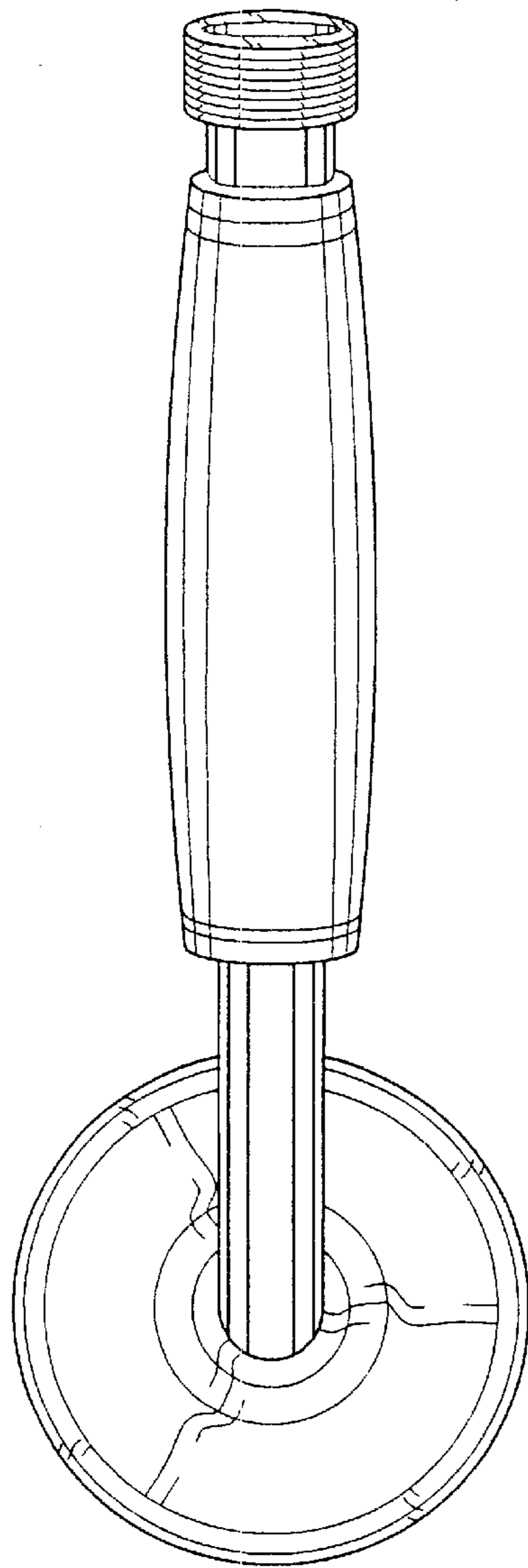


FIG. 6

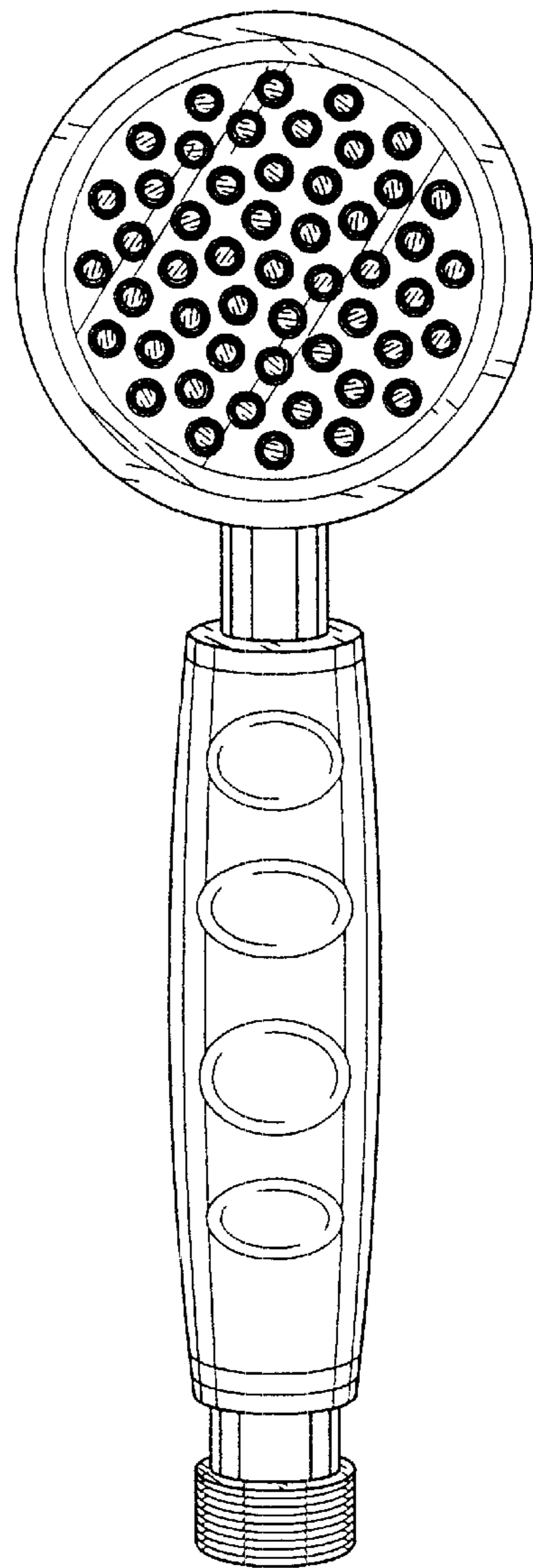


FIG. 7