



US00D484943S

(12) **United States Design Patent**  
**Hill et al.**

(10) **Patent No.:** **US D484,943 S**

(45) **Date of Patent:** **\*\* Jan. 6, 2004**

(54) **HAND-HELD INSECT KILLER**

(75) Inventors: **Thomas R. Hill**, Flippin, AR (US);  
**William Redifer**, Mountain Home, AR  
(US); **David S. Burleigh**, Yellville, AR  
(US); **Raymond Diehl**, Mountain  
Home, AR (US); **David Lemoine**,  
Mountain Home, AR (US); **Donald**  
**Ezell**, Yellville, AR (US)

(73) Assignee: **Micro Plastics, Inc.**, Flippin, AR (US)

(\*\*) Term: **14 Years**

(21) Appl. No.: **29/179,184**

(22) Filed: **Apr. 7, 2003**

(51) **LOC (7) Cl.** ..... **22-06**

(52) **U.S. Cl.** ..... **D22/122**

(58) **Field of Search** ..... **D22/119-125;**  
**43/137, 112, 98, 134, 135, 136**

(56) **References Cited**

**U.S. PATENT DOCUMENTS**

D338,943 S	*	8/1993	Agostinelli	.....	D22/122
D343,223 S	*	1/1994	Warner	.....	D22/122
6,105,306 A	*	8/2000	Teng	.....	43/112
6,279,262 B1	*	8/2001	Walkemeyer	.....	43/134

\* cited by examiner

*Primary Examiner*—Catherine R. Oliver  
(74) *Attorney, Agent, or Firm*—Stephen D. Carver

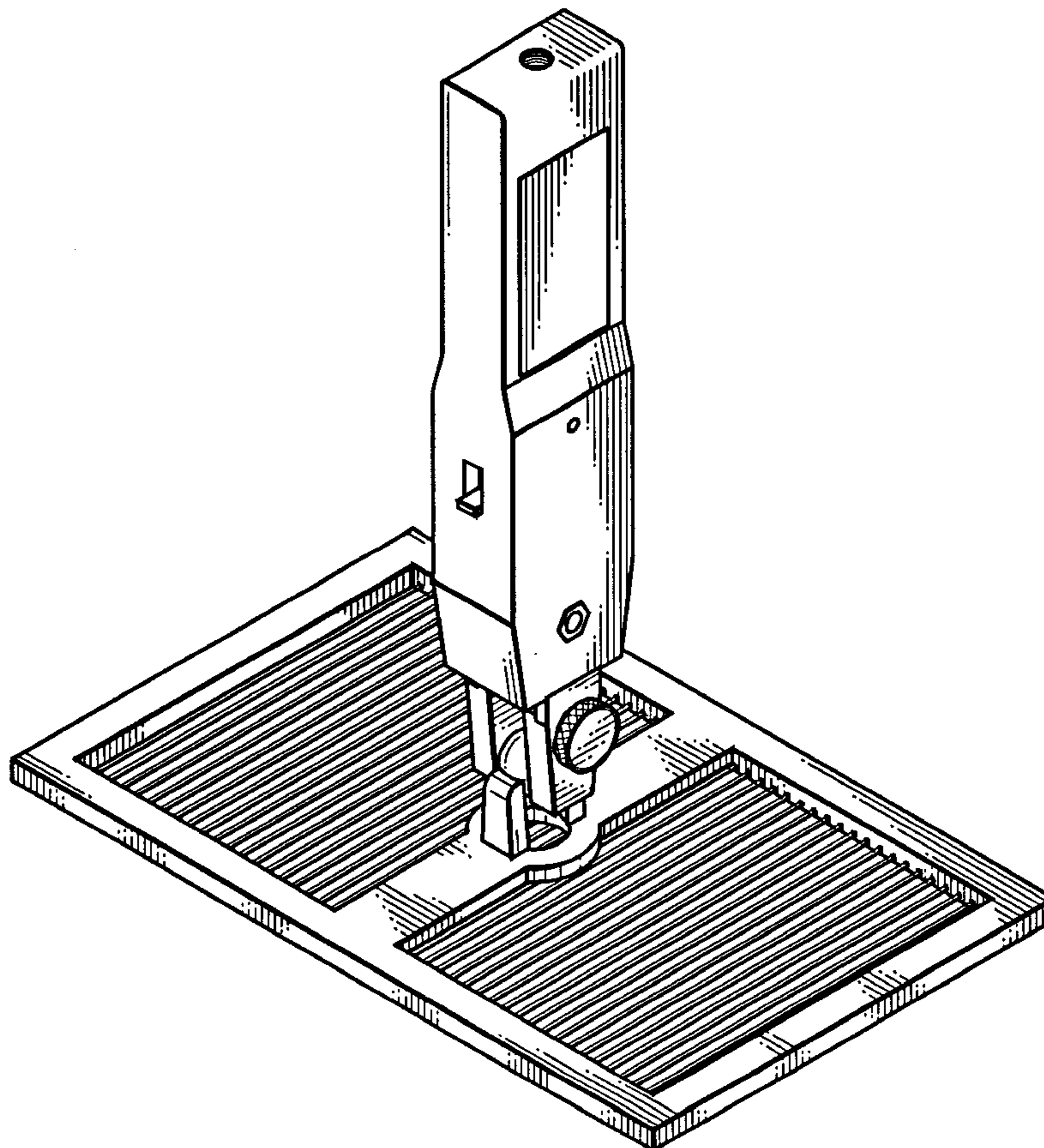
(57) **CLAIM**

The ornamental design for a hand-held insect killer, as shown and described.

**DESCRIPTION**

FIG. 1 is a front perspective view of the hand-held insect killer showing our new design;  
FIG. 2 is a rear perspective view thereof;  
FIG. 3 is a front elevational view;  
FIG. 4 is a left side elevational view thereof;  
FIG. 5 is a right side elevational view thereof;  
FIG. 6 is a top plan view thereof;  
FIG. 7 is a bottom plan view thereof;  
FIG. 8 is a rear elevational view thereof;  
FIG. 9 is a left side elevational view showing the handle disposed in an angularly moved position;  
FIG. 10 is a right side elevational view showing the handle disposed in an angularly moved position; and,  
FIG. 11 is a front elevational view, showing the handle disposed in an angularly moved position.

**1 Claim, 11 Drawing Sheets**



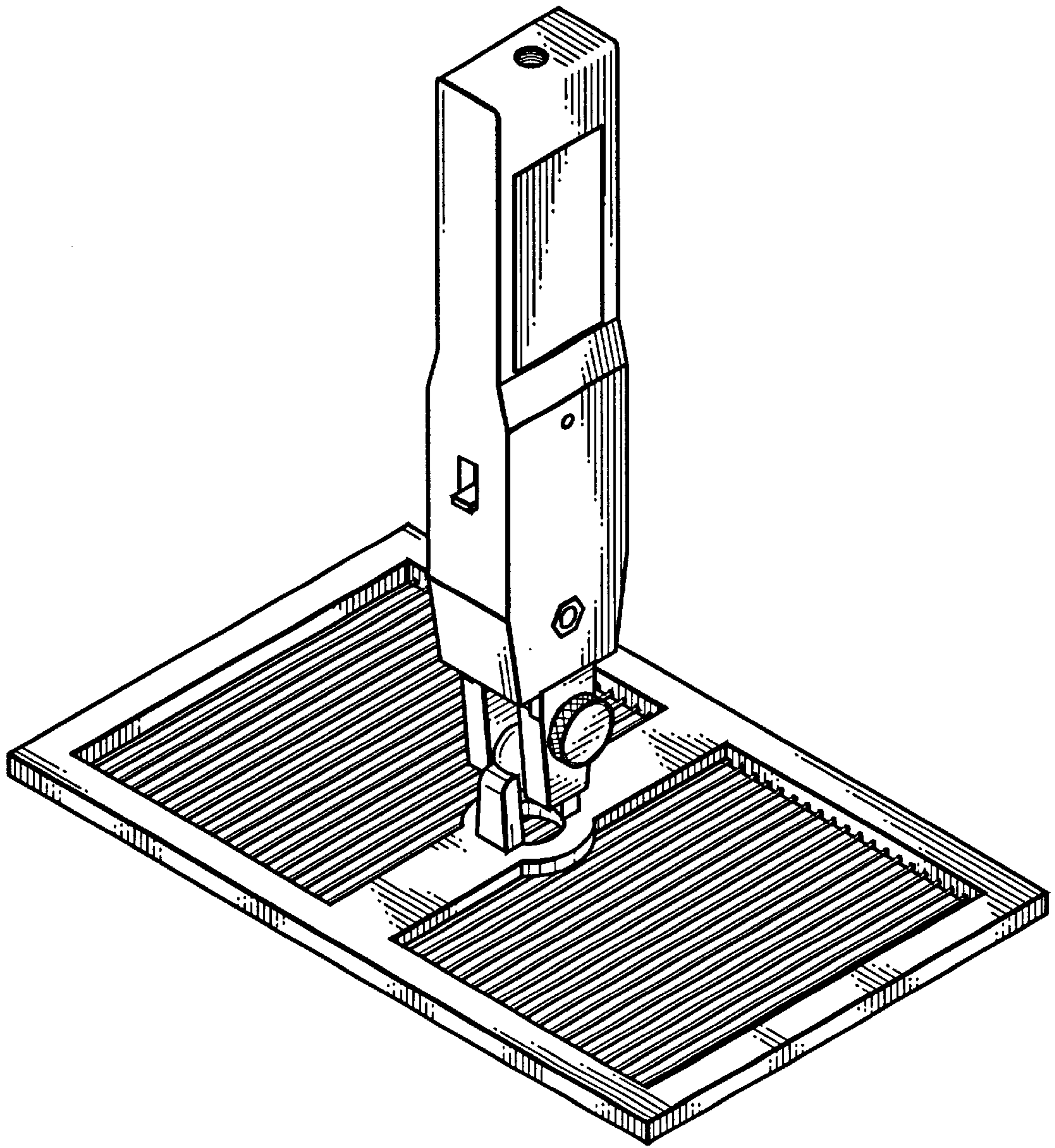


Fig. 1

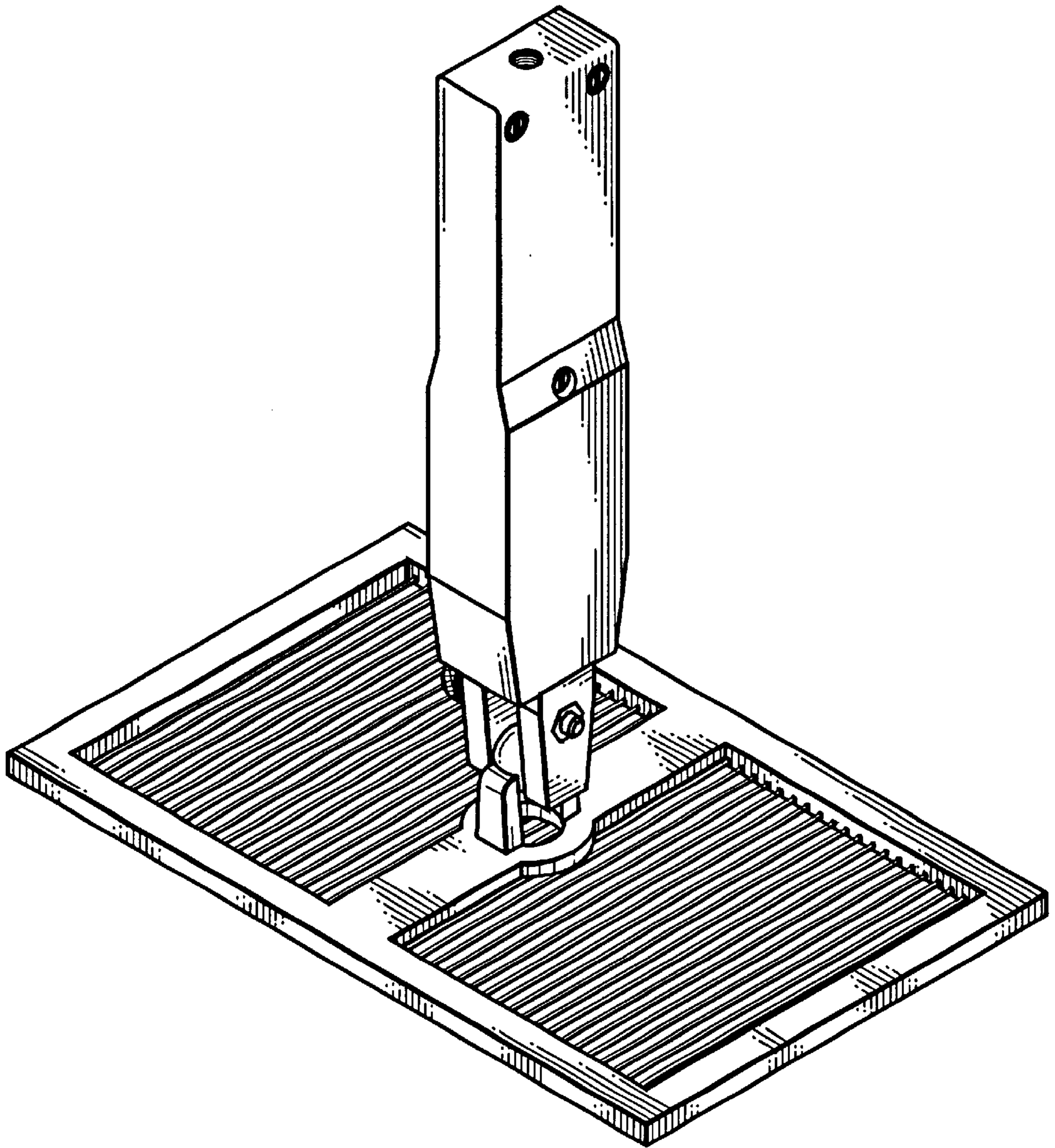


Fig. 2

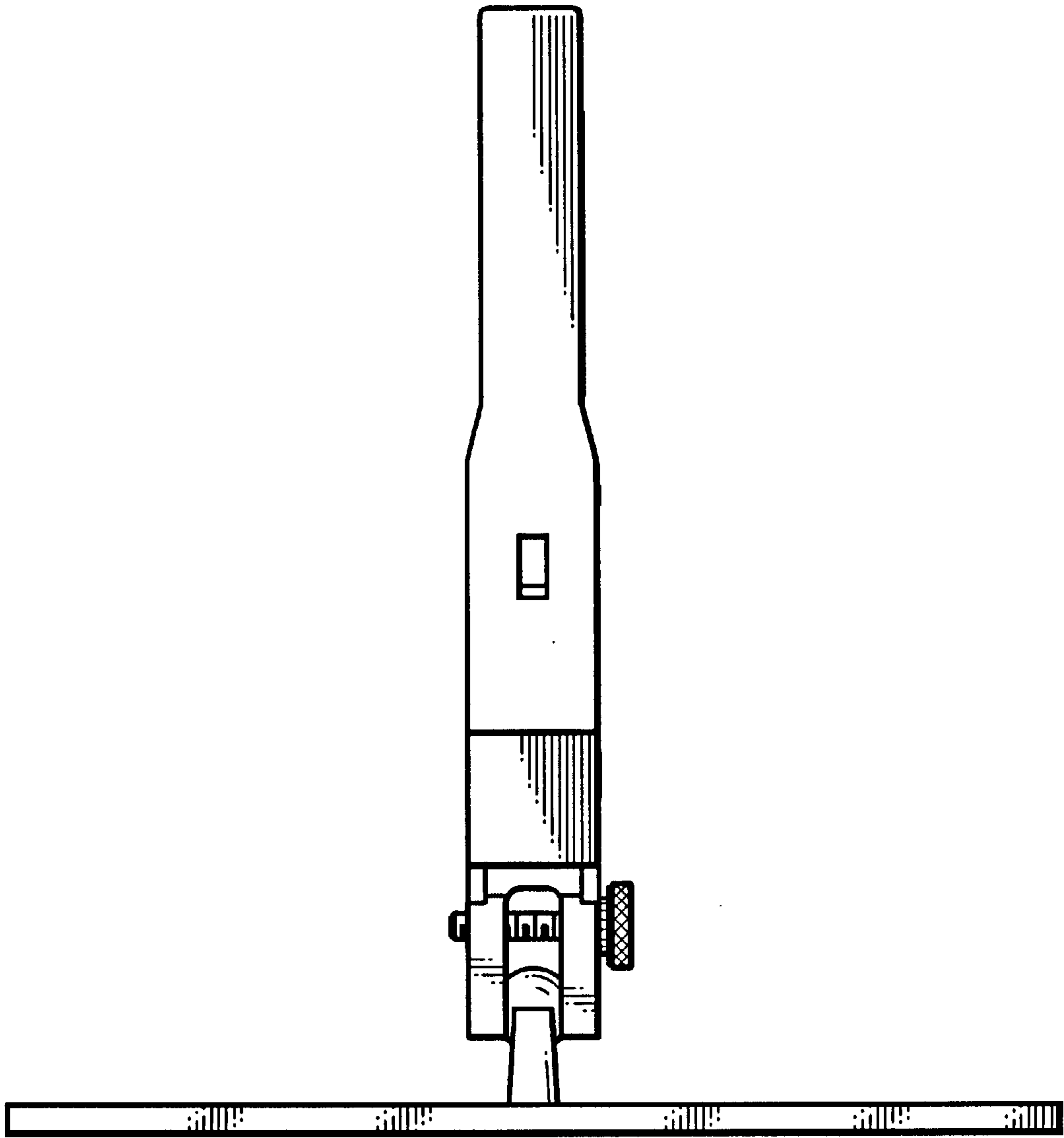


Fig. 3

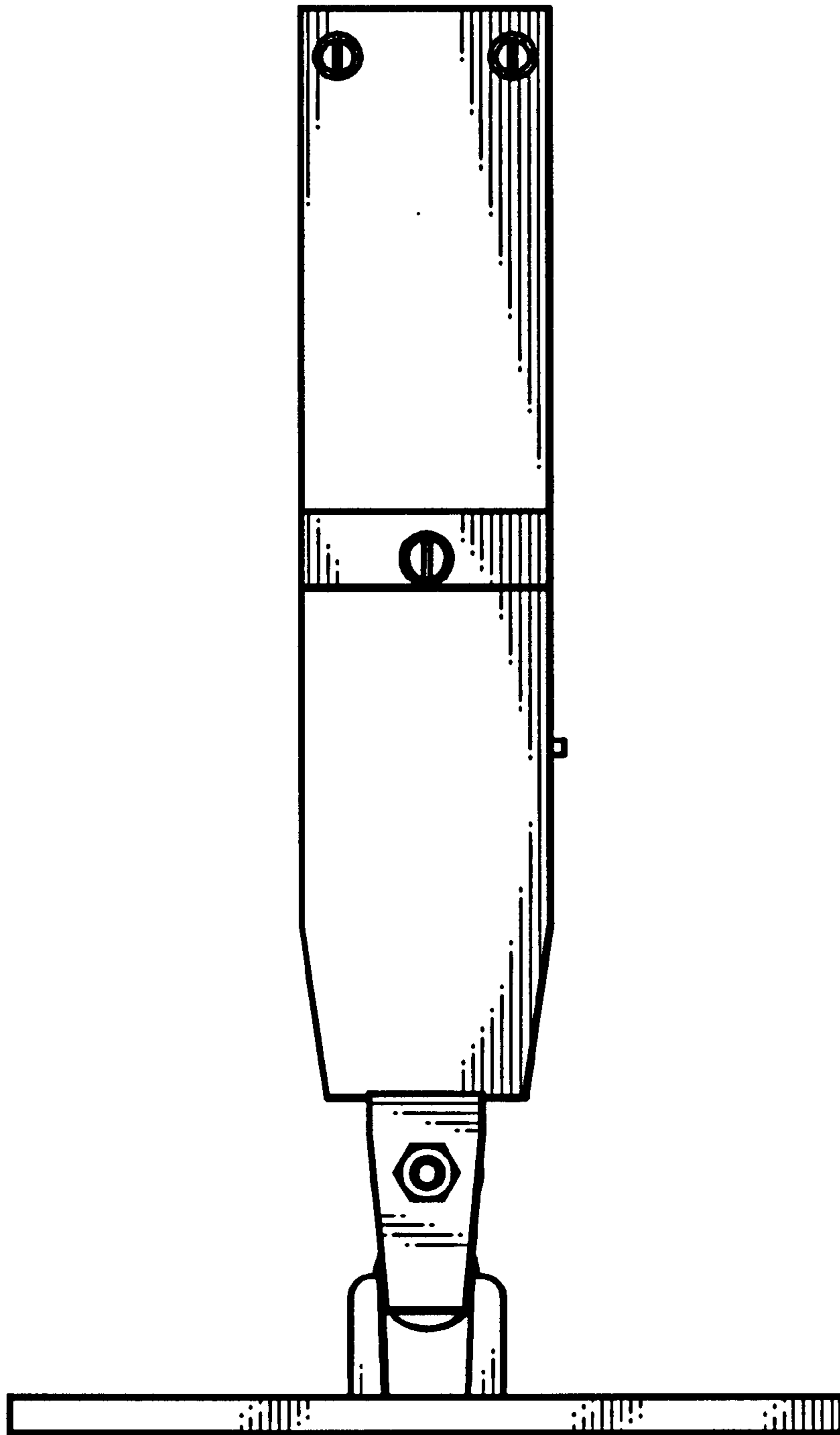


Fig. 4

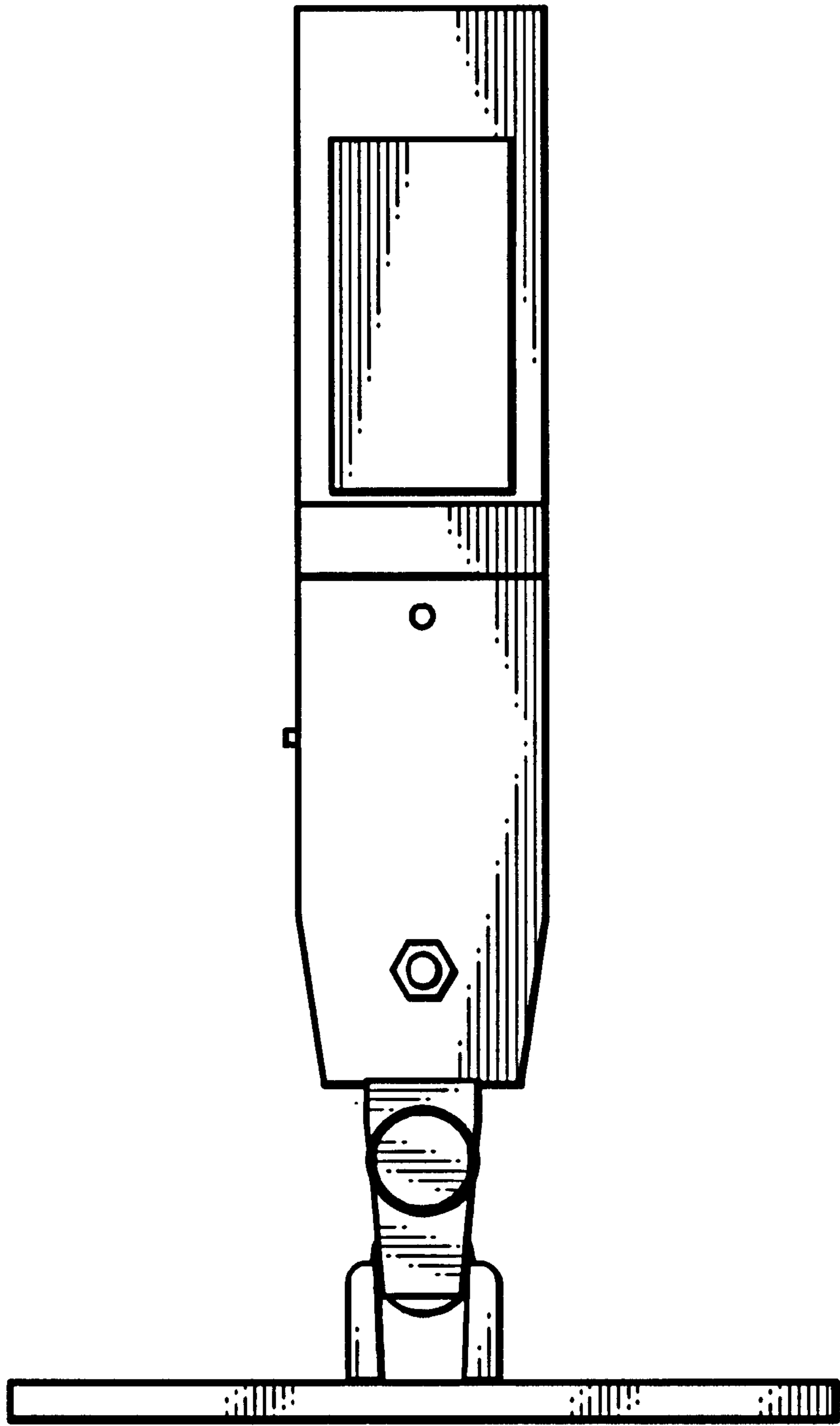


Fig. 5

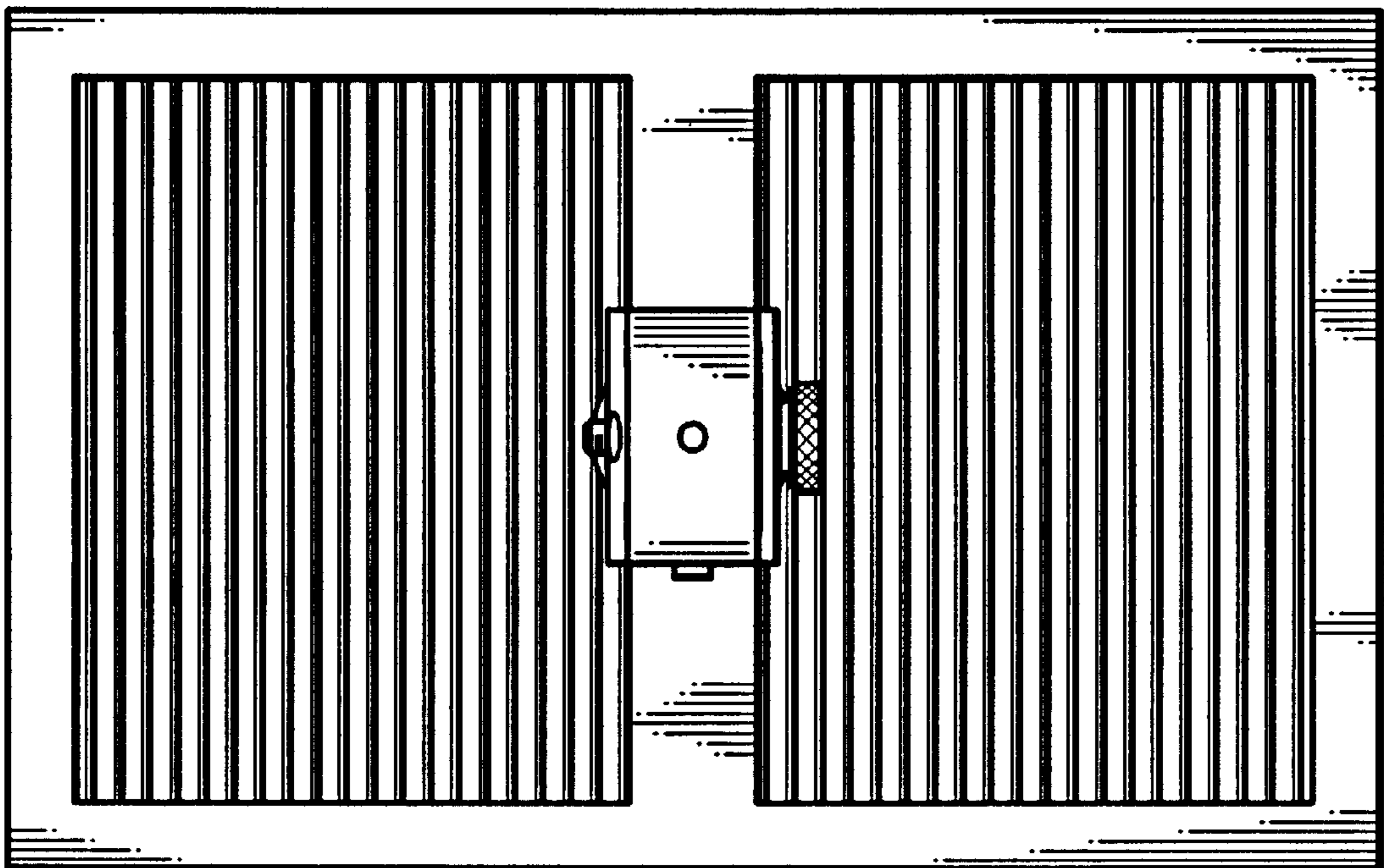


Fig. 6

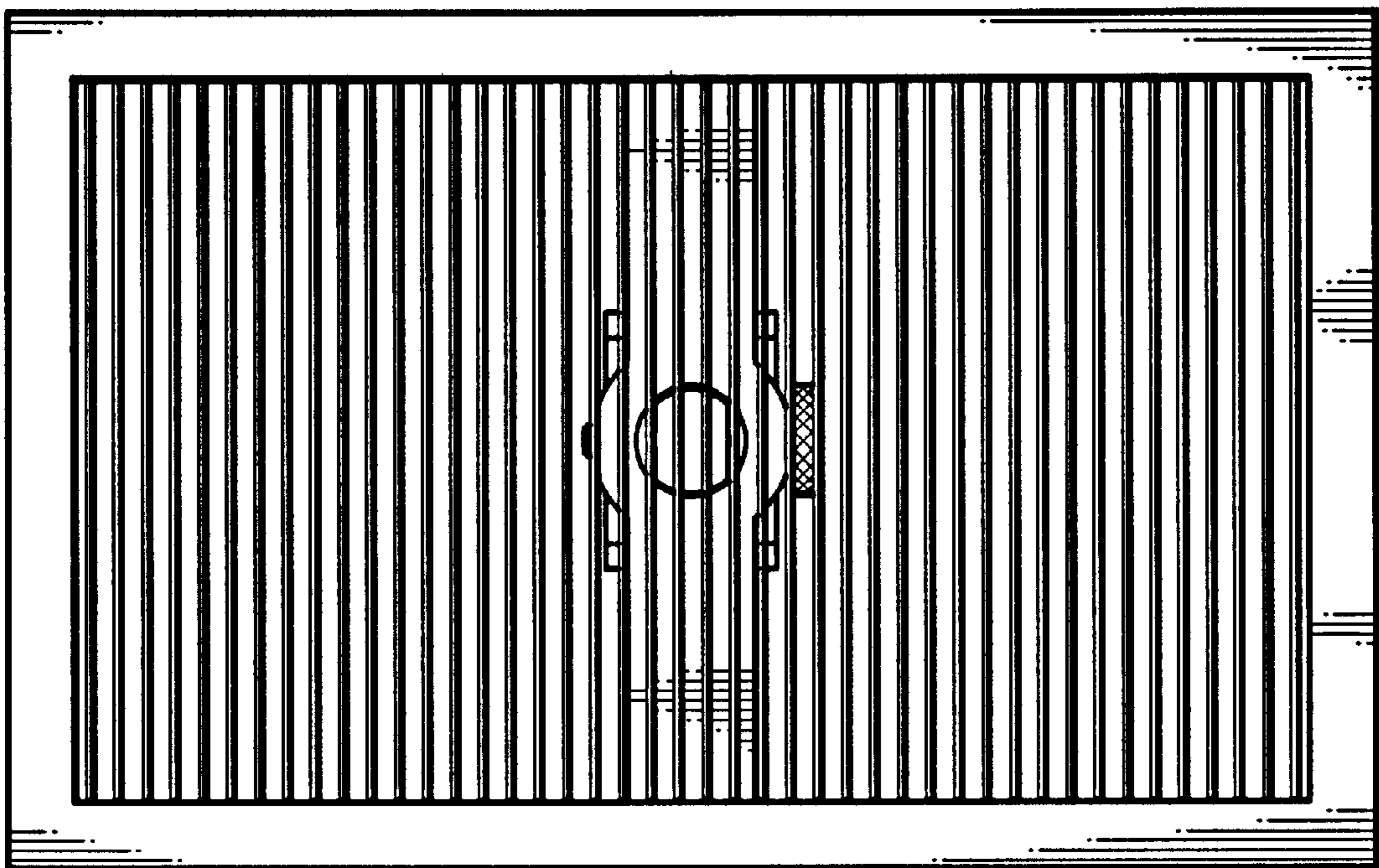


Fig. 7



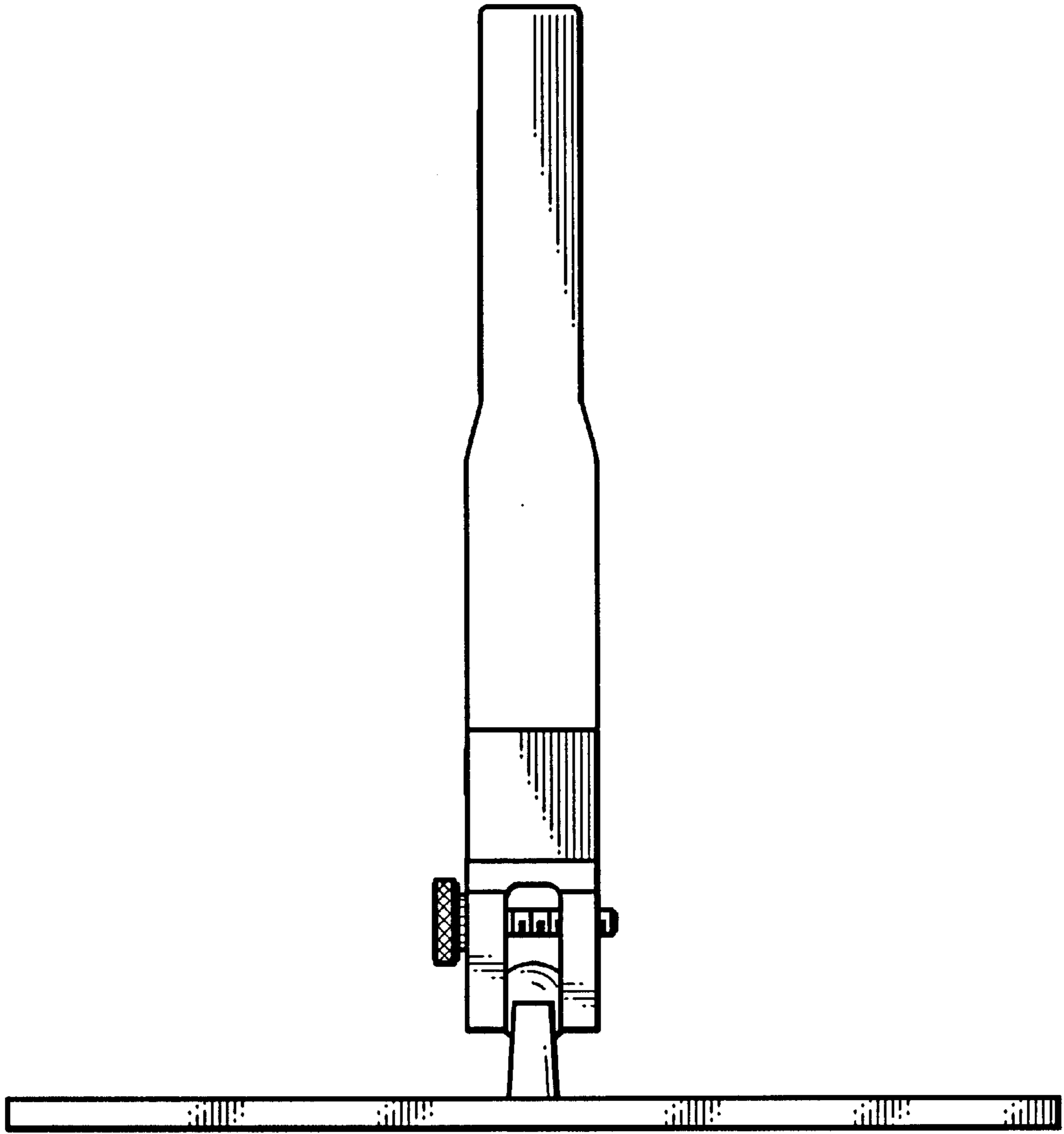


Fig. 8

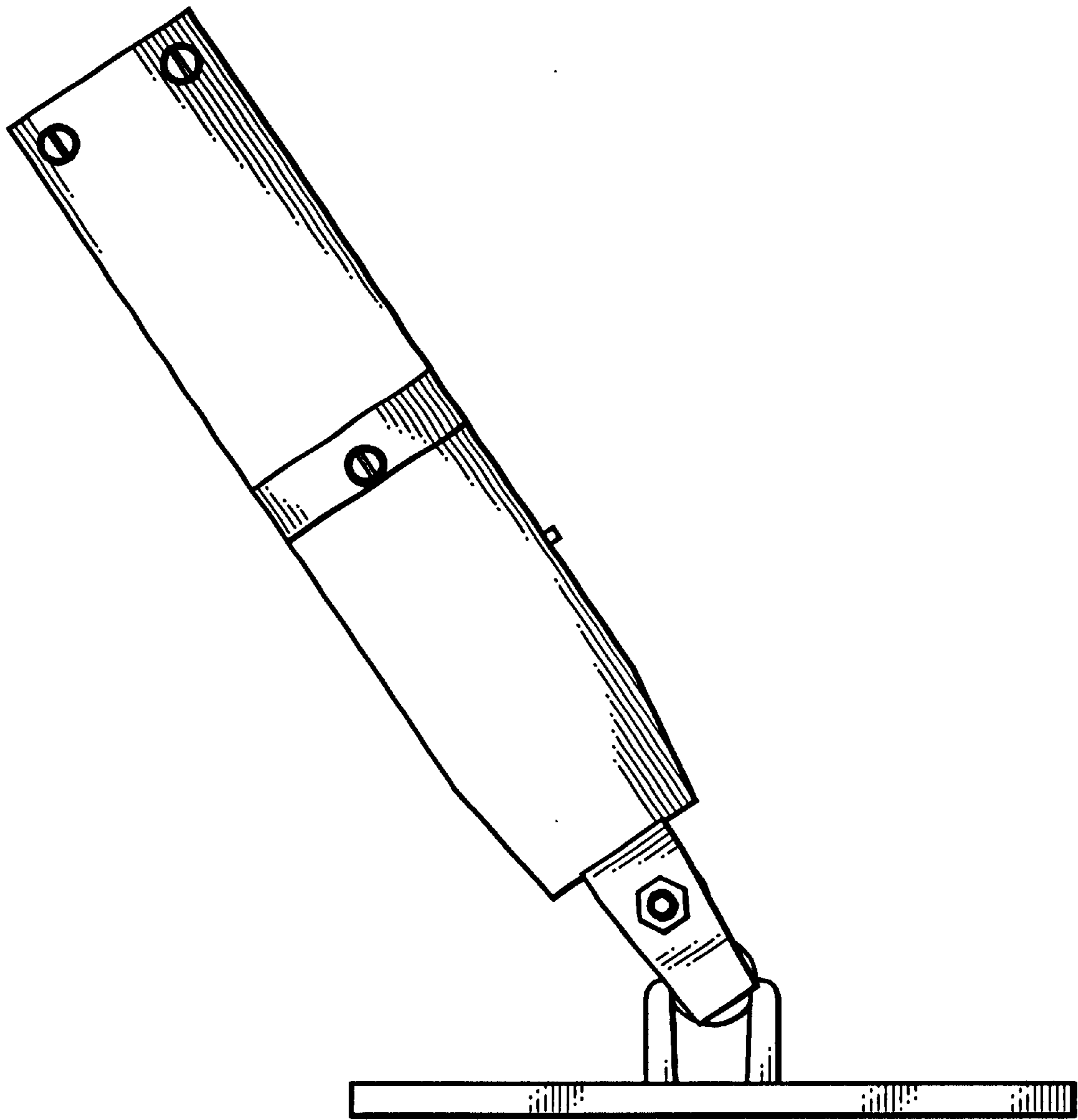


Fig. 9

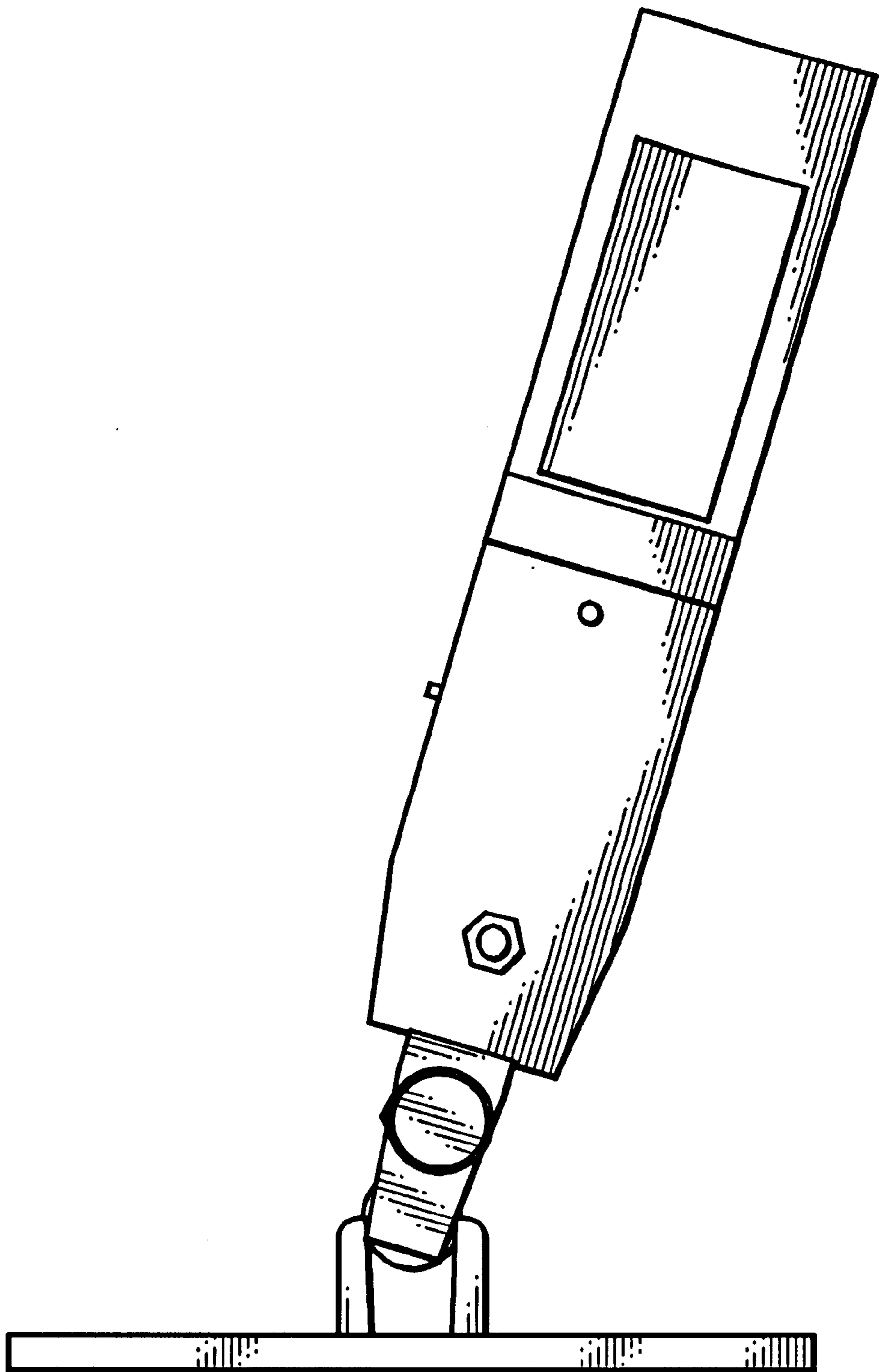


Fig. 10

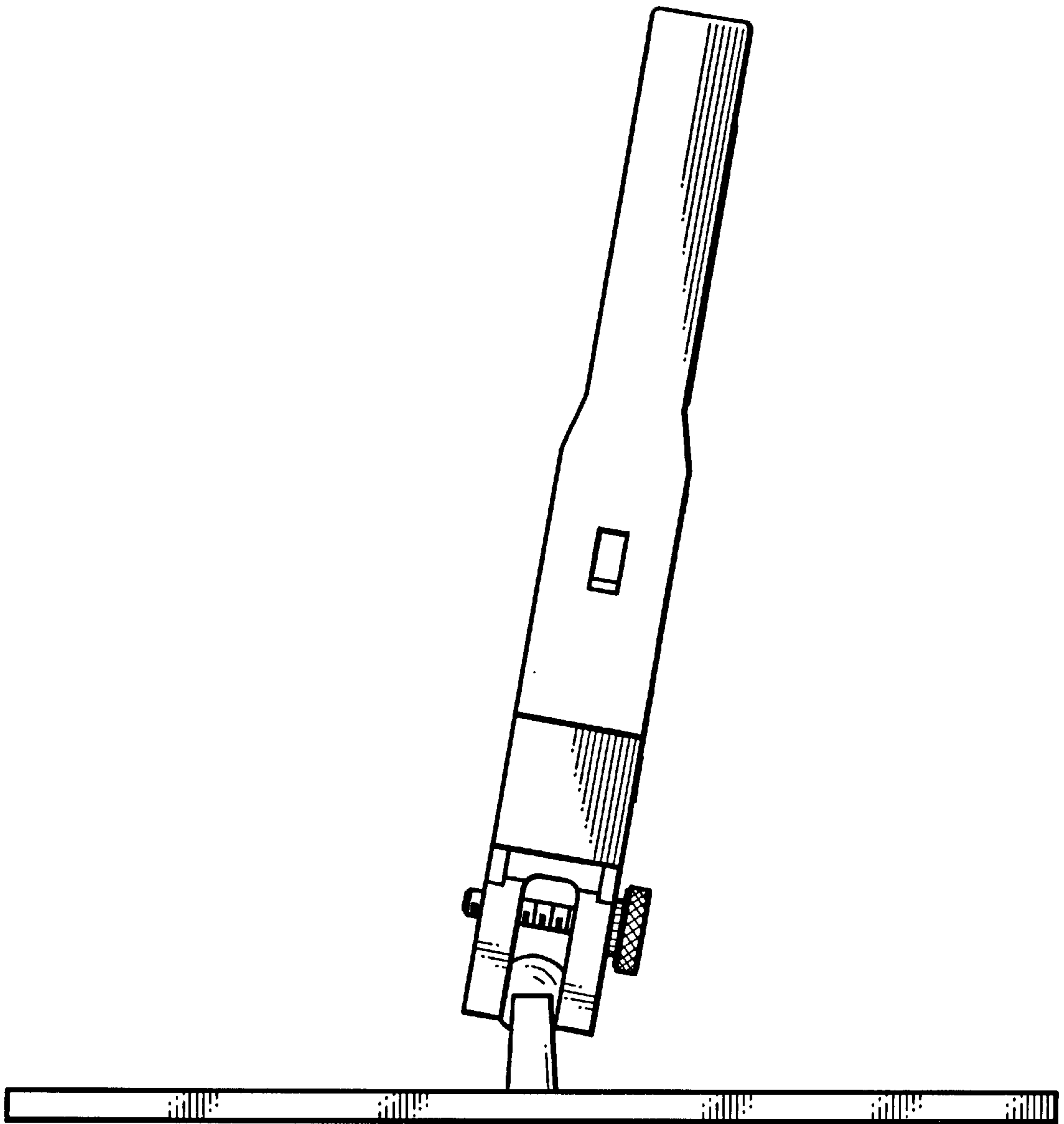


Fig. 11