



US00D484940S

(12) **United States Design Patent**
Peterson

(10) **Patent No.:** **US D484,940 S**

(45) **Date of Patent:** **** Jan. 6, 2004**

(54) **INFLATABLE FLOAT**

(75) **Inventor:** **Leroy L. Peterson, Omaha, NE (US)**

(73) **Assignee:** **Sportsstuff, Inc., Omaha, NE (US)**

(*) **Notice:** This patent is subject to a terminal disclaimer.

(**) **Term:** **14 Years**

(21) **Appl. No.:** **29/168,151**

(22) **Filed:** **Sep. 26, 2002**

(51) **LOC (7) Cl.** **21-02**

(52) **U.S. Cl.** **D21/803; D21/809**

(58) **Field of Search** **D21/803, 801, D21/809, 810, 769, 770; D12/316; 297/452.41; 441/129-132, 35, 66, 67, 79, 40-43, 88; 114/345, 346, 253; D6/335, 336, 604, 601; 472/128, 129**

(56) **References Cited**

U.S. PATENT DOCUMENTS

1,960,474 A * 5/1934 Browne 441/129
D287,528 S * 12/1986 Maxwell et al. D21/803

5,219,307 A * 6/1993 Morrison 441/38
5,476,404 A * 12/1995 Price 441/131
D393,038 S * 3/1998 Peterson D21/803
D428,955 S * 8/2000 Peterson D21/801
6,331,128 B1 * 12/2001 Schmick 441/129
D465,540 S * 11/2002 Peterson D21/803
6,508,682 B1 * 1/2003 Clark 441/40

* cited by examiner

Primary Examiner—Lucy Lieberman
(74) *Attorney, Agent, or Firm*—Sturm & Fix LLP

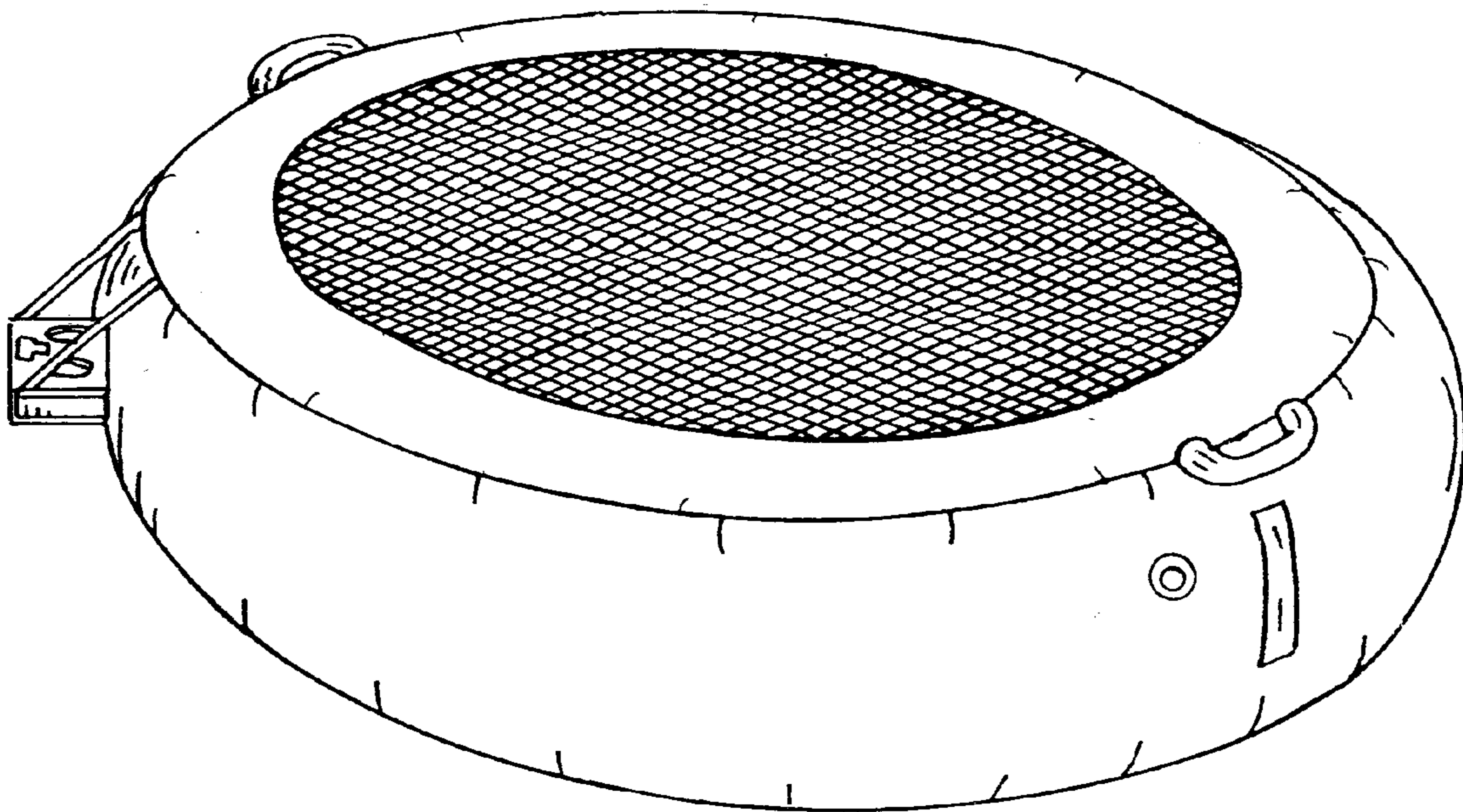
(57) **CLAIM**

The ornamental design for an inflatable float, as shown and described.

DESCRIPTION

FIG. 1 is a perspective view of an inflatable float showing my new design;
FIG. 2 is a top plan view thereof;
FIG. 3 is a bottom plan view thereof;
FIG. 4 is a right side elevational view thereof;
FIG. 5 is a left side elevational view thereof;
FIG. 6 is a front elevational view thereof; and,
FIG. 7 is a rear elevational view thereof.

1 Claim, 2 Drawing Sheets



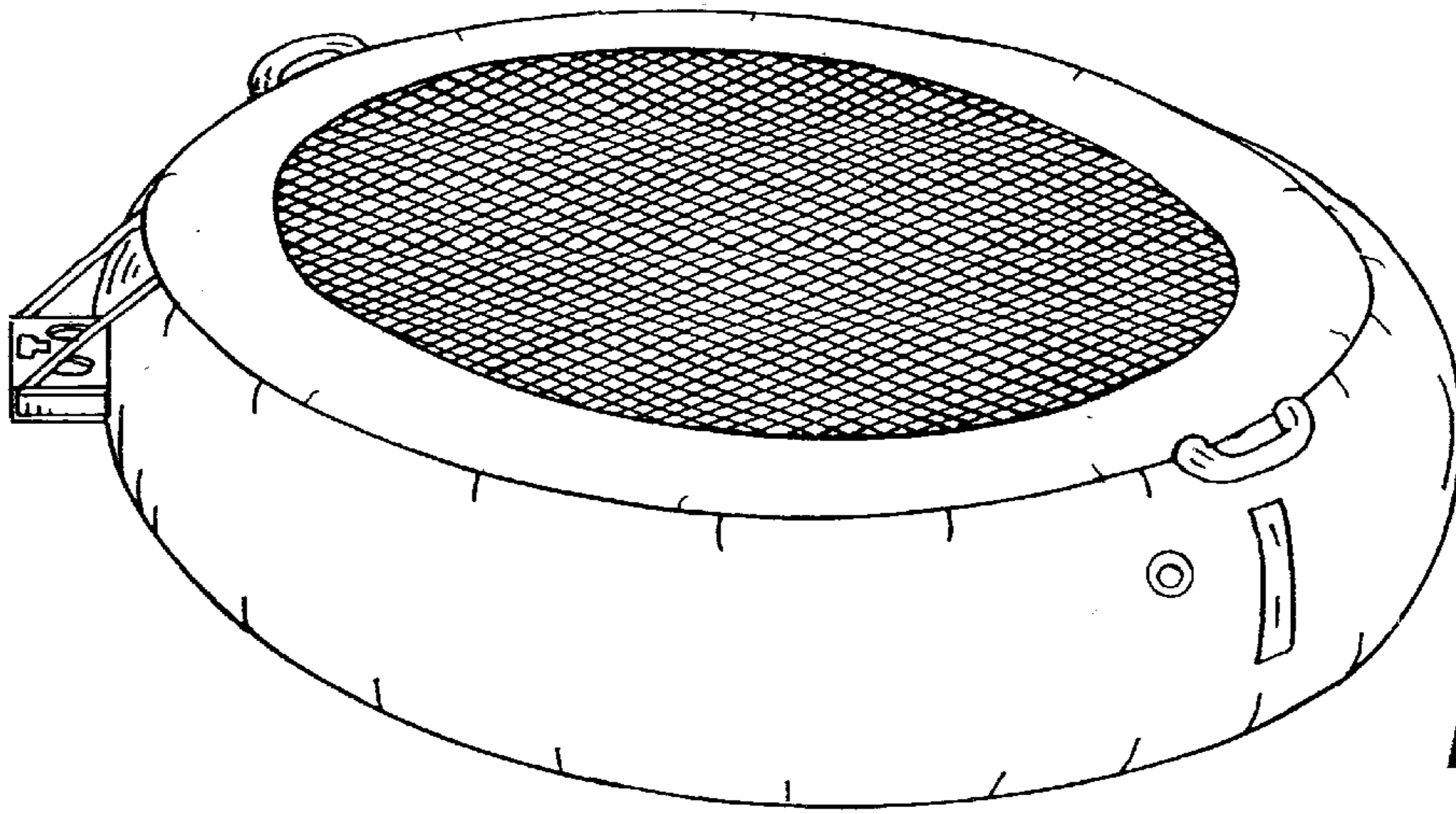


Fig. 1

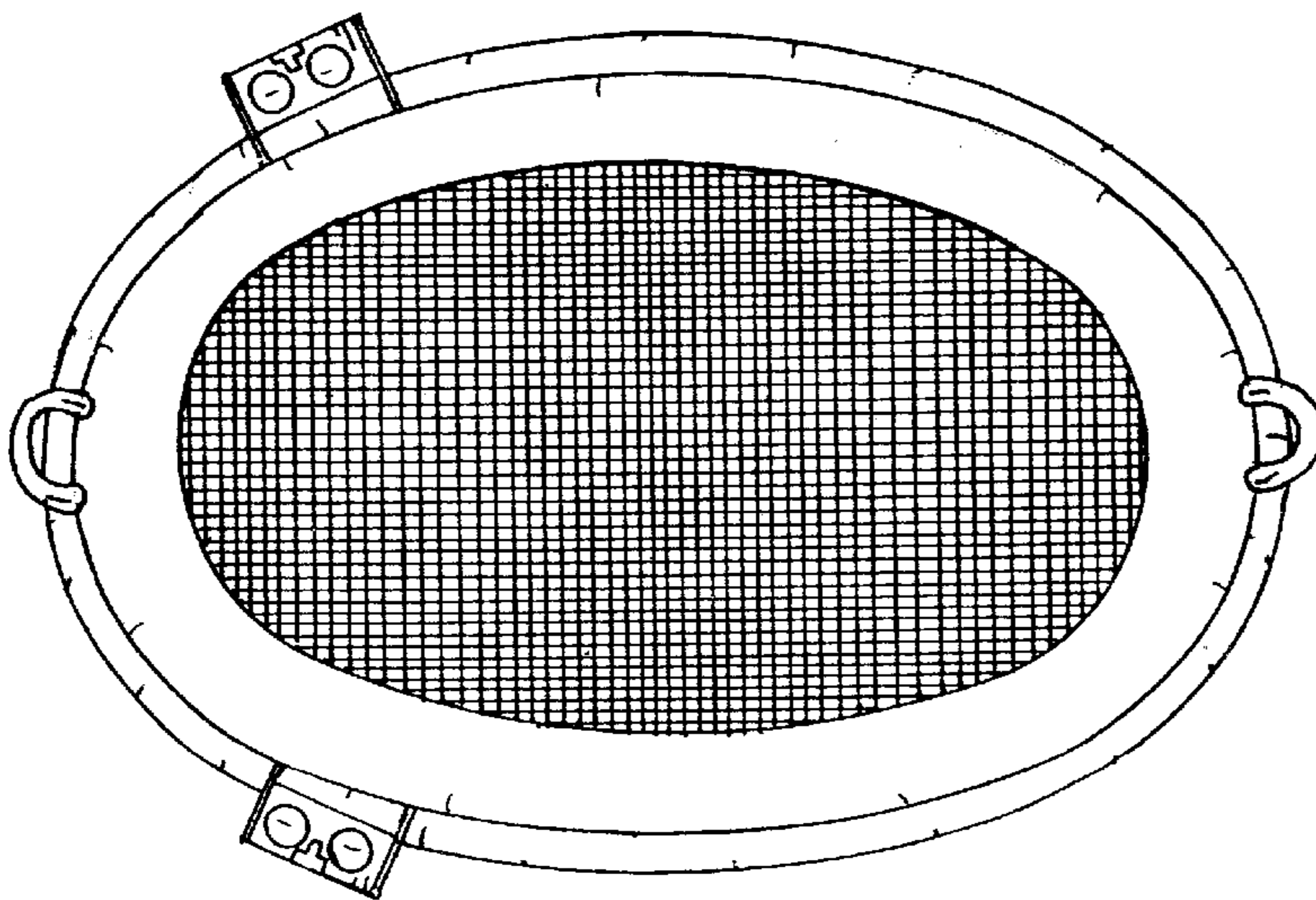


Fig. 2

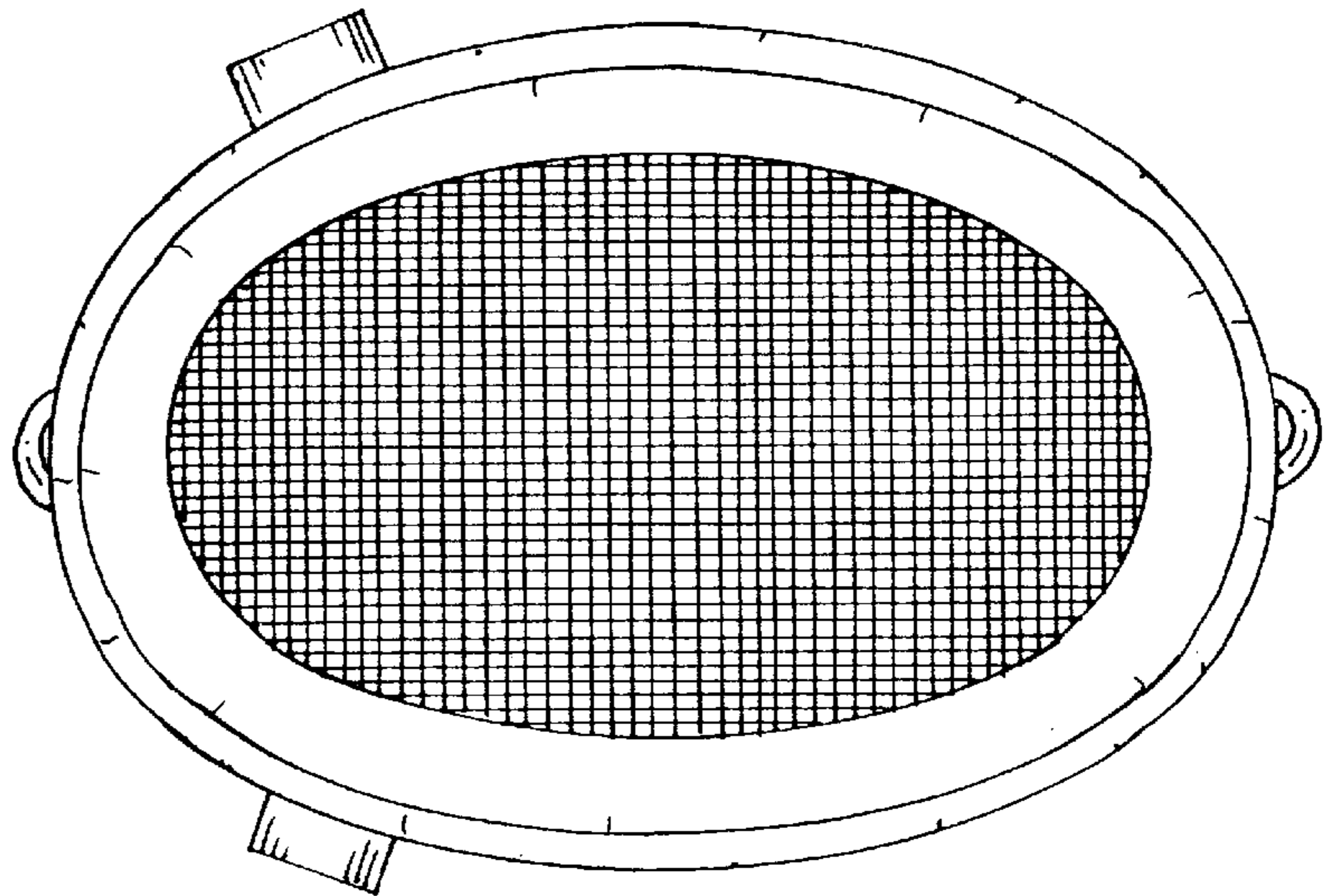


Fig. 3

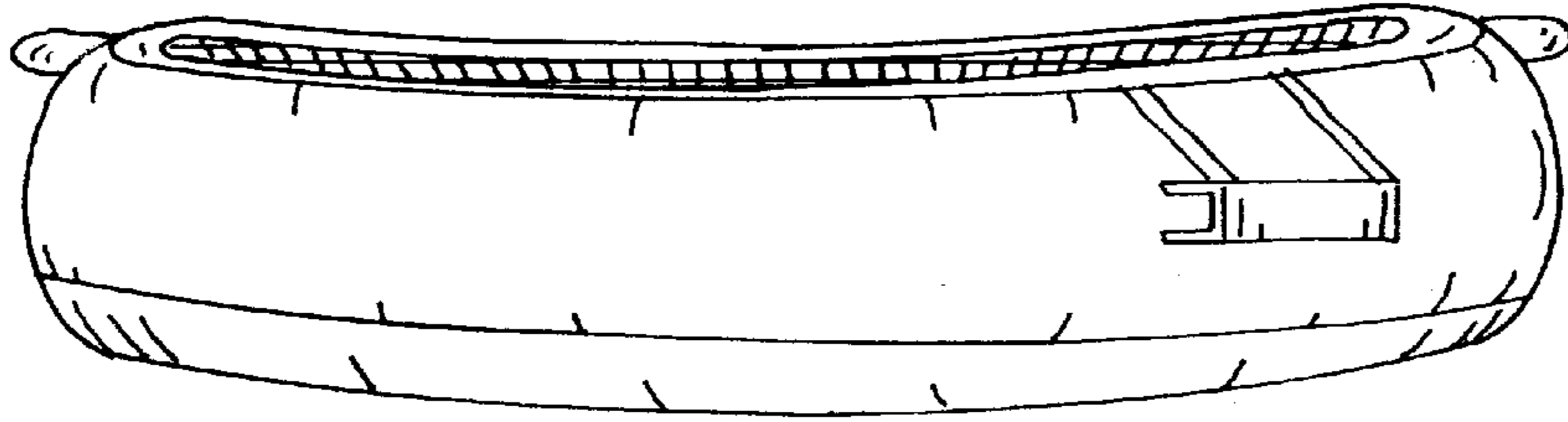


Fig. 4

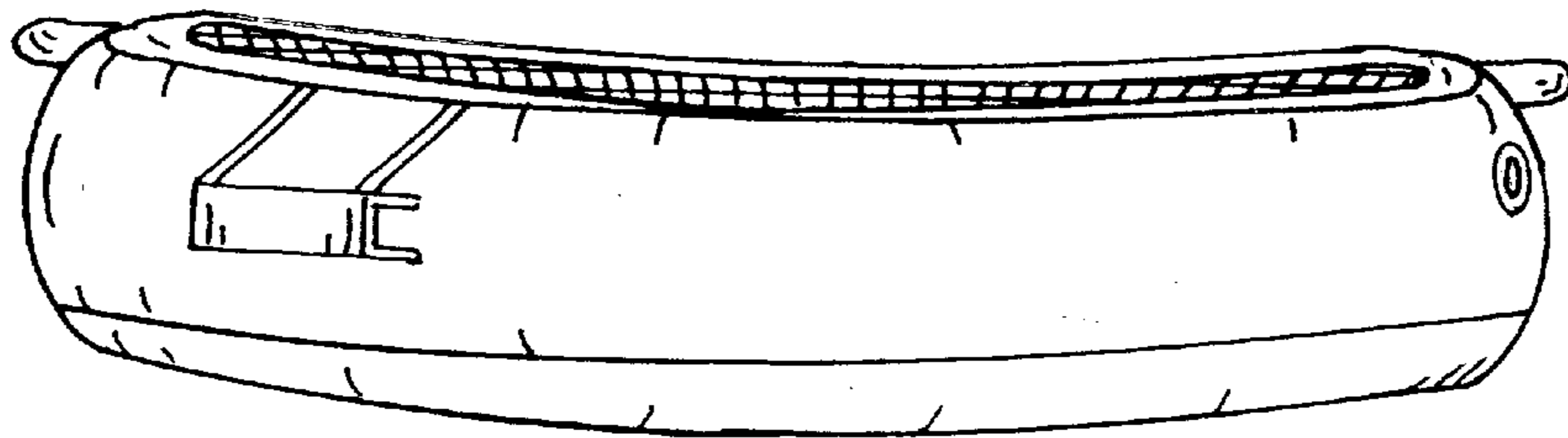


Fig. 5

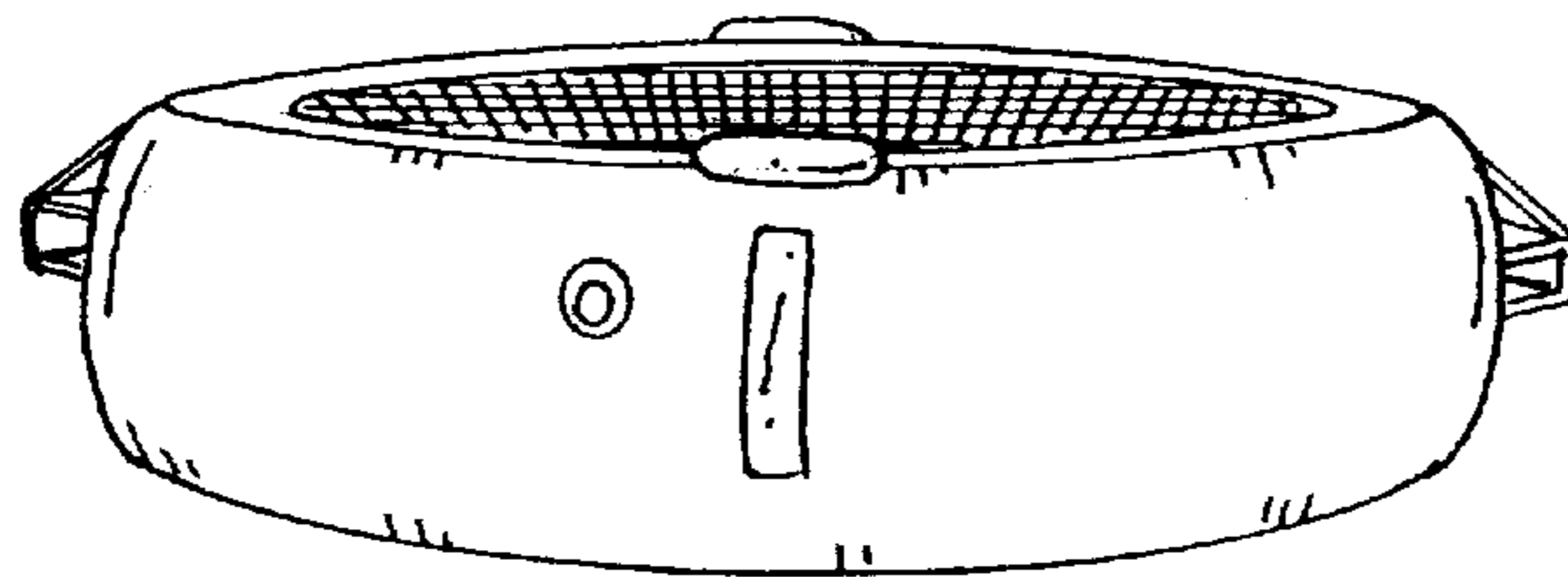


Fig. 6

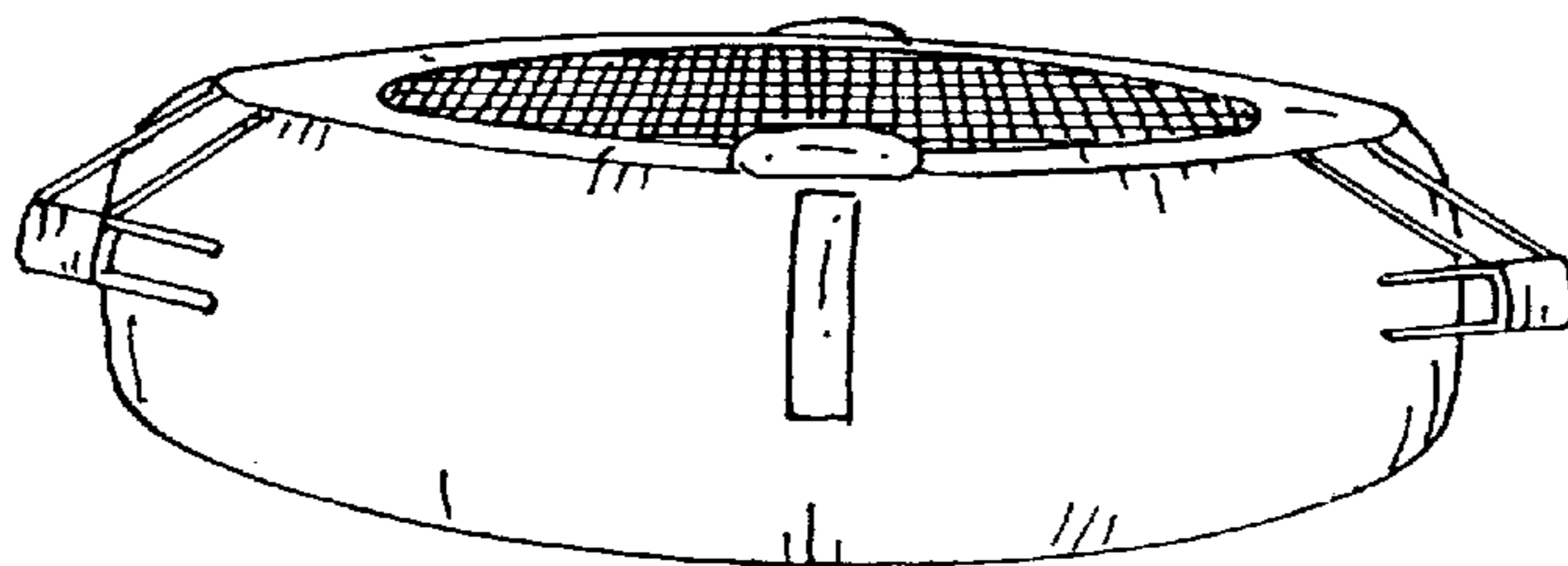


Fig. 7