



US00D484937S

(12) **United States Design Patent**  
**Madore et al.**

(10) **Patent No.:** **US D484,937 S**  
(45) **Date of Patent:** **\*\* Jan. 6, 2004**

(54) **PORTION OF A GOLF CLUB HEAD**

(75) Inventors: **Carl L. Madore**, Portland, OR (US);  
**John T. Stites**, Weatherford, TX (US)

(73) Assignee: **Nike, Inc.**, Beaverton, OR (US)

(\*\*) Term: **14 Years**

(21) Appl. No.: **29/180,518**

(22) Filed: **Apr. 25, 2003**

D345,402 S	3/1994	Wilson	
D356,130 S	3/1995	Schild	
D363,100 S	10/1995	Long et al.	
D364,205 S	11/1995	Duclos	
5,511,786 A	4/1996	Antonious	
5,518,242 A	5/1996	Mahaffey et al.	
D402,343 S	* 12/1998	Helmstetter et al.	..... D21/738
D405,836 S	* 2/1999	Nicolette et al.	..... D21/736
D411,271 S	* 6/1999	Nelson	..... D21/738
D418,885 S	1/2000	Wanchena	
6,139,446 A	10/2000	Wanchena	
D447,783 S	9/2001	Glod	
D449,865 S	* 10/2001	Fife, Jr. et al.	..... D21/736

**Related U.S. Application Data**

(62) Division of application No. 29/174,527, filed on Jan. 22, 2003.

(51) **LOC (7) Cl.** ..... **21-02**

(52) **U.S. Cl.** ..... **D21/759; D21/742**

(58) **Field of Search** ..... D21/736-746,  
D21/733, 752, 759; 473/324-331, 340,  
341, 343-345, 251-256

(56) **References Cited**

**U.S. PATENT DOCUMENTS**

1,617,090 A	2/1927	Worthington
D208,058 S	7/1967	Johnston
D215,608 S	10/1969	Lysaght
D239,187 S	3/1976	Smith
3,976,299 A	8/1976	Lawrence et al.
4,431,192 A	2/1984	Stuff, Jr.
4,444,392 A	4/1984	Duclos
4,653,756 A	3/1987	Sato
4,850,593 A	7/1989	Nelson
4,900,029 A	2/1990	Sinclair
5,186,465 A	2/1993	Chorne
5,221,086 A	6/1993	Antonious
D344,118 S	2/1994	Lin

**OTHER PUBLICATIONS**

“Tsunami Driver” printed from <http://www.golfgear-j.com/driver.html> on Dec. 6, 2001 (2 black & white sheets).

\* cited by examiner

*Primary Examiner*—Mitchell Siegel

(74) *Attorney, Agent, or Firm*—Banner & Witcoff, Ltd.

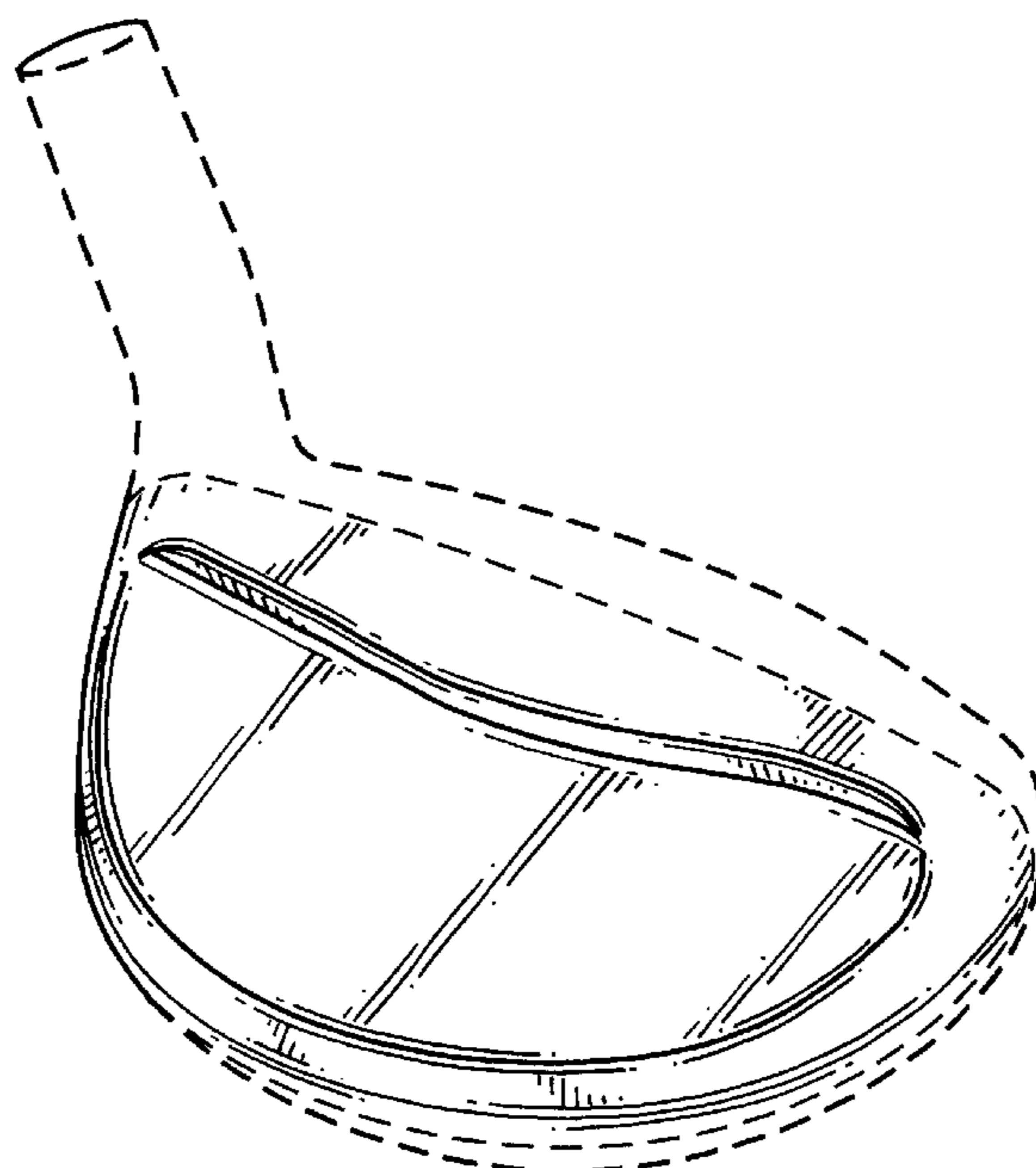
(57) **CLAIM**

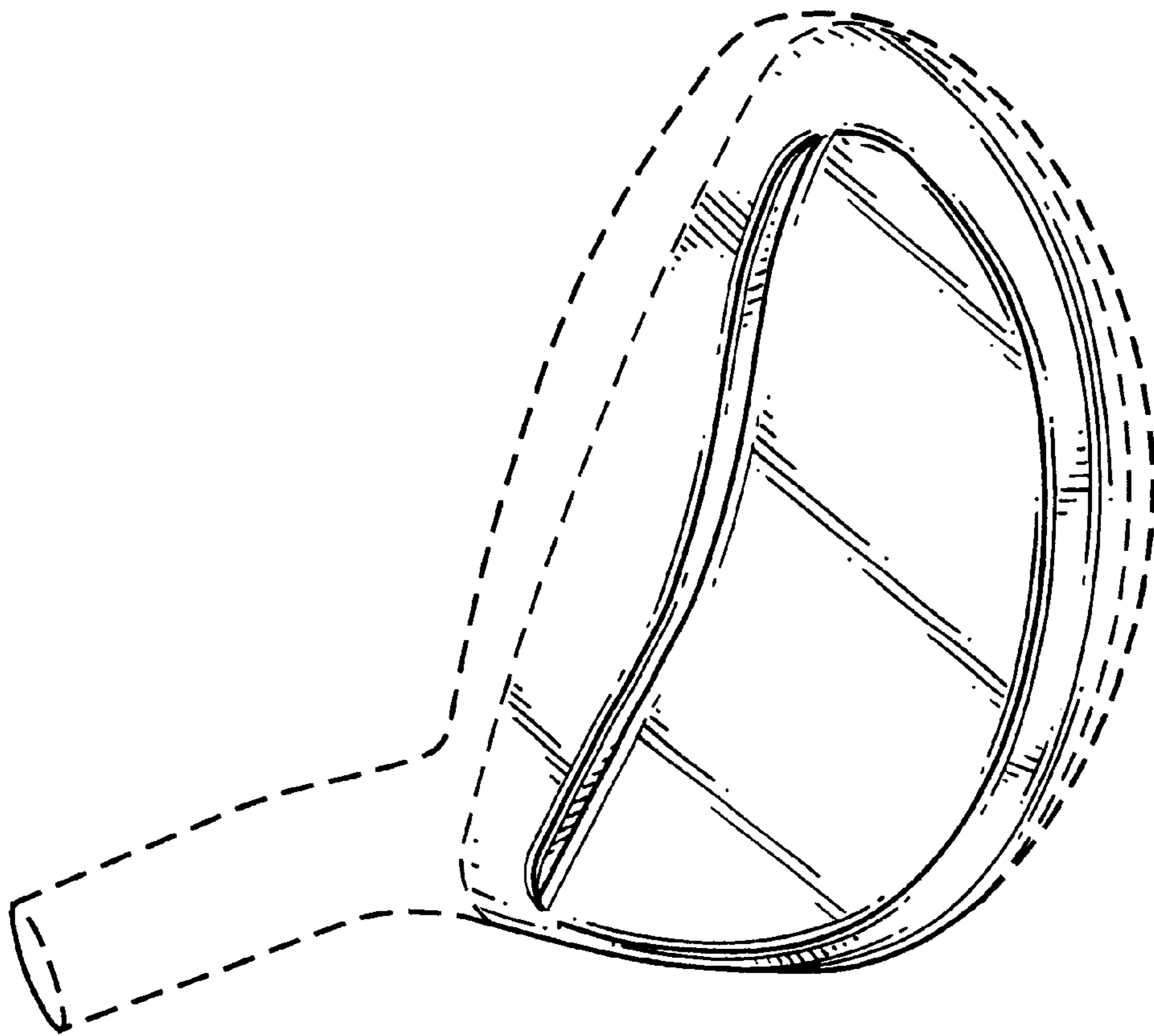
The ornamental design for a portion of a golf club head, as shown and described.

**DESCRIPTION**

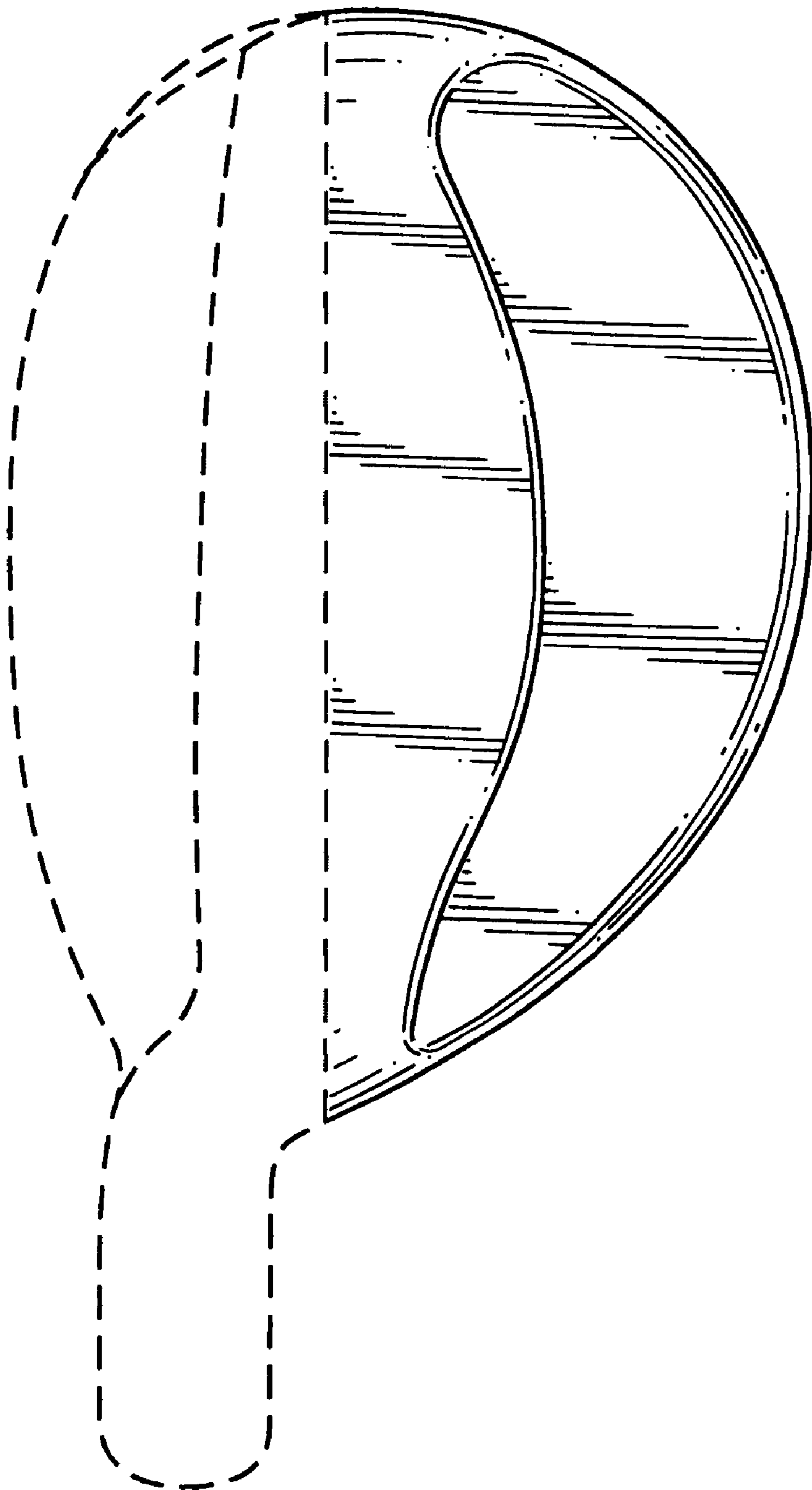
FIG. 1 is a perspective view of a portion of a golf club head showing my new design;  
FIG. 2 is a top view thereof;  
FIG. 3 is a heel side view thereof;  
FIG. 4 is a toe side view thereof; and,  
FIG. 5 is a rear view thereof.  
The broken line showing of the remainder of the club head is for illustrative purposes only and forms no part of the claimed design.

**1 Claim, 4 Drawing Sheets**

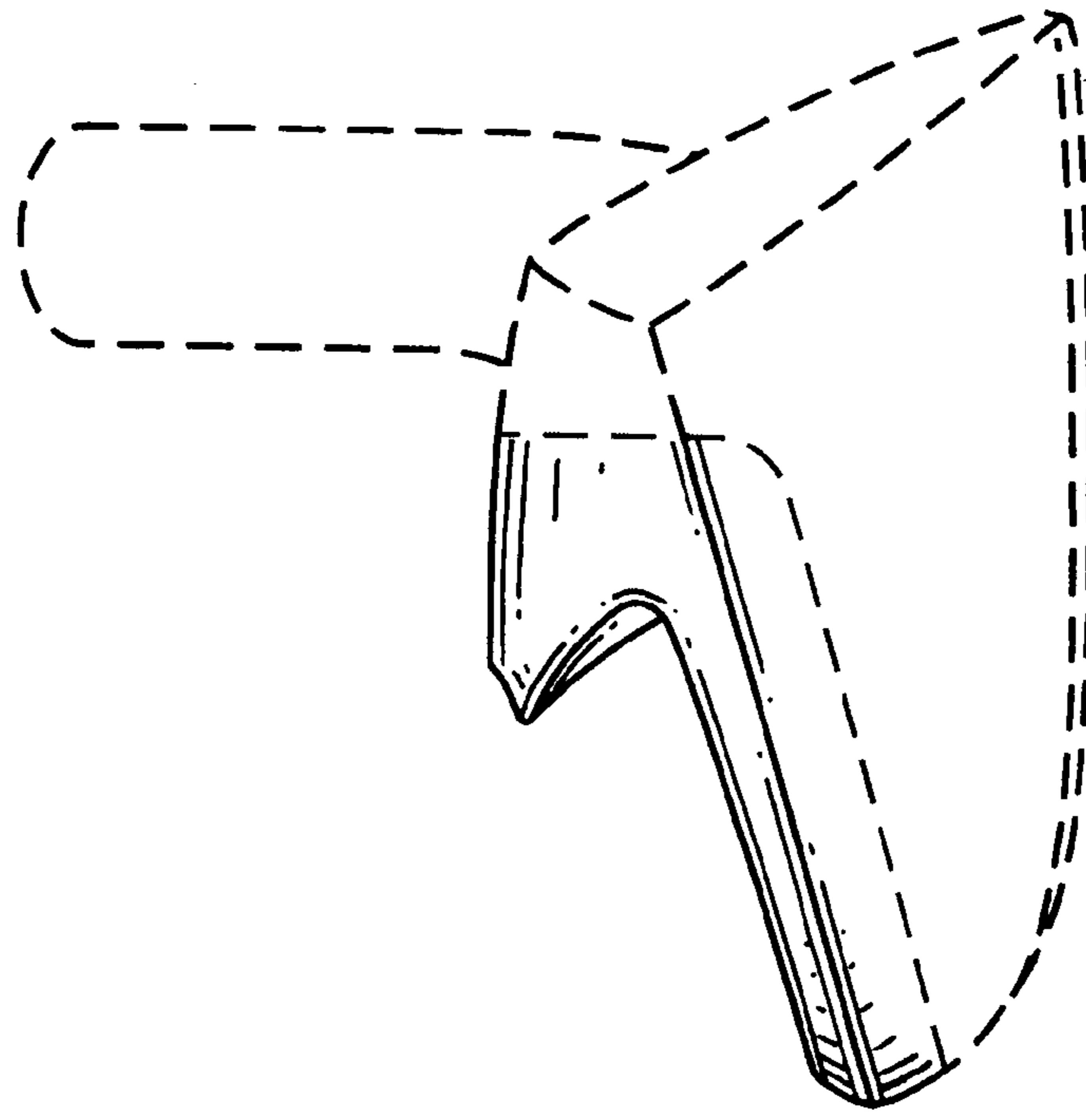




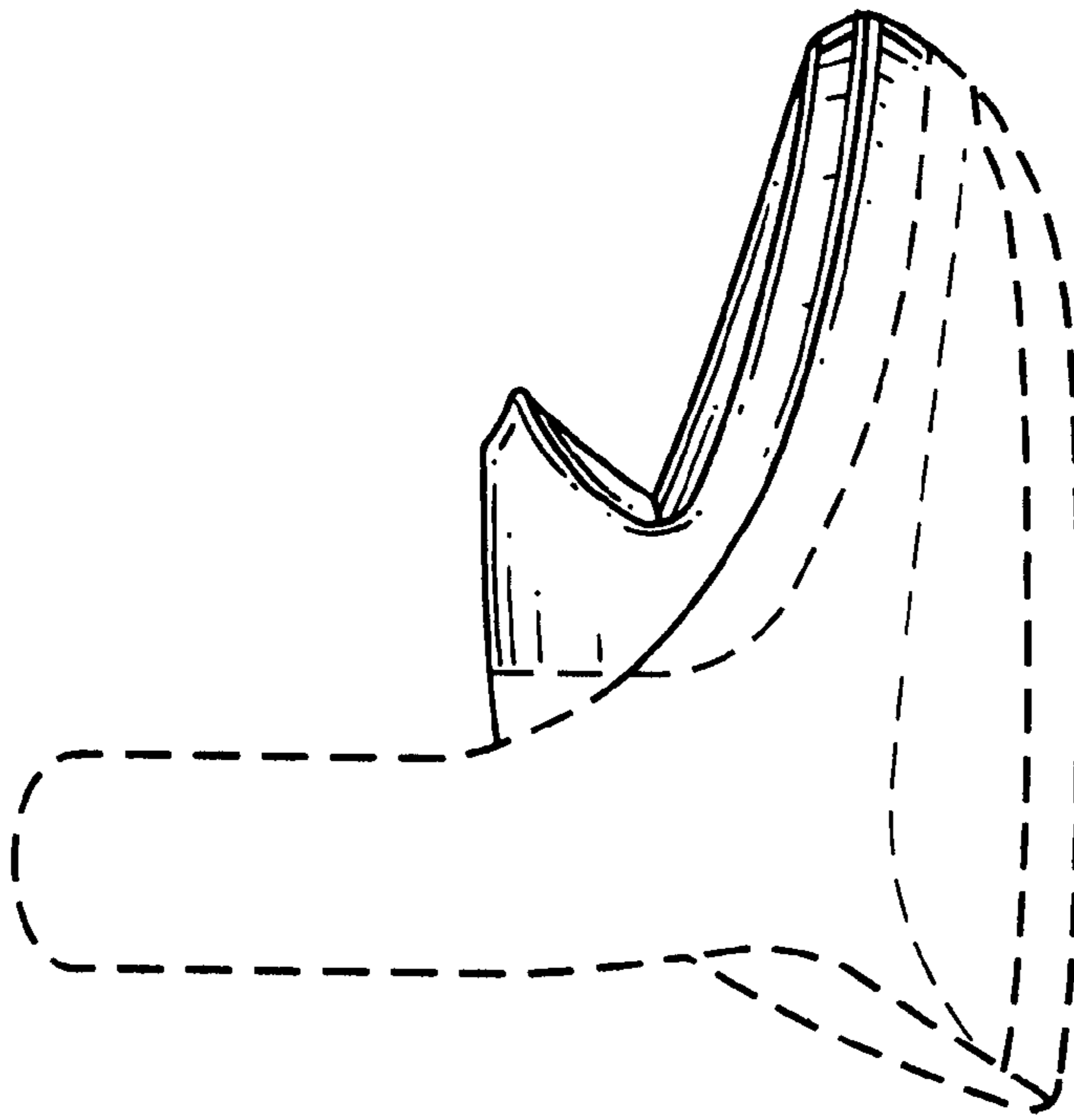
**FIG.1**



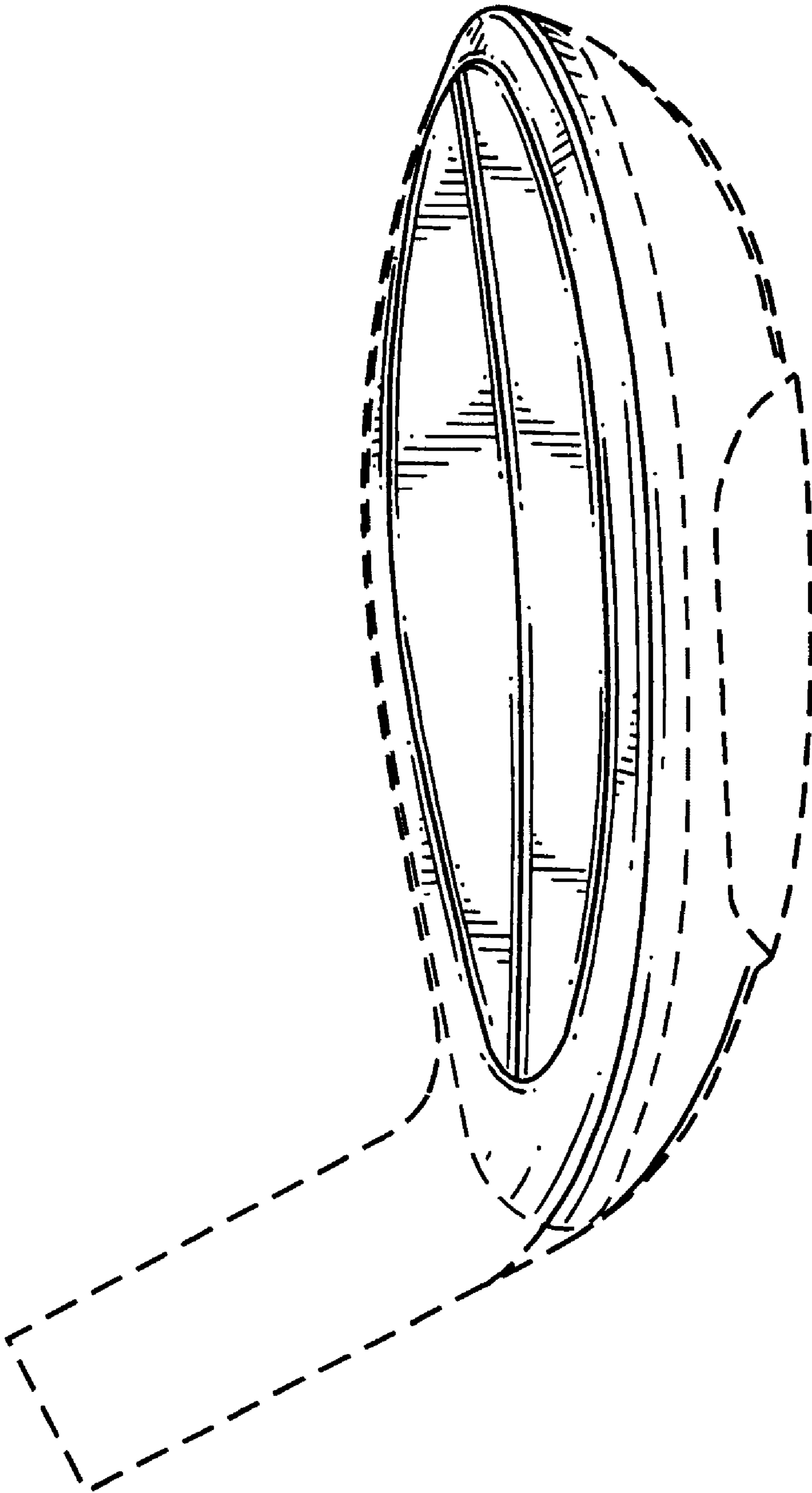
**FIG.2**



**FIG. 3**



**FIG. 4**



**FIG. 5**