



US00D484935S

(12) **United States Design Patent**  
**Tang**

(10) **Patent No.:** **US D484,935 S**

(45) **Date of Patent:** **\*\* Jan. 6, 2004**

(54) **PUTTER HEAD**

(75) **Inventor:** **Larry G. Tang**, Carlsbad, CA (US)

(73) **Assignee:** **Callaway Golf Company**, Carlsbad, CA (US)

(\*\*) **Term:** **14 Years**

(21) **Appl. No.:** **29/184,013**

(22) **Filed:** **Aug. 4, 2003**

(51) **LOC (7) Cl.** ..... **21-02**

(52) **U.S. Cl.** ..... **D21/738**

(58) **Field of Search** ..... **D21/736-746;**  
**473/324, 327-331, 340, 341, 251-256**

(56) **References Cited**

**U.S. PATENT DOCUMENTS**

1,485,272	A	2/1924	Kinsman
1,526,951	A	2/1925	Beaumont
1,546,612	A	7/1925	Barnes
1,652,404	A	12/1927	Munson
1,654,916	A	1/1928	Graveure
1,666,174	A	4/1928	Holland
1,703,199	A	2/1929	McClure
D85,510	S	11/1931	Beach
D90,924	S	10/1933	Replogle
1,960,110	A	1/1934	Iles
2,002,335	A	5/1935	Fiondella
D95,819	S	6/1935	Gourlay
2,056,335	A	10/1936	Wettlaufer
2,057,821	A	10/1936	Costello
D104,495	S	5/1937	Gallagher
2,156,025	A	4/1939	Paul
D146,431	S	3/1947	Liolich
2,447,967	A	8/1948	Stone
2,478,468	A	8/1949	Drake
2,708,579	A	5/1955	Hugman
D179,002	S	10/1956	Hoffmeister
D179,246	S	11/1956	Gillon
2,781,197	A	2/1957	Wiley
2,838,312	A	6/1958	Drake
2,957,696	A	10/1960	Warpotas
3,021,141	A	7/1962	Polsky et al.
3,064,975	A	11/1962	Smith

D200,585	S	3/1965	Cefaly
3,194,564	A	7/1965	Swan
3,220,733	A	11/1965	Saleeby
3,300,241	A	1/1967	Eberwein et al.
3,310,879	A	3/1967	Brzezinski et al.
3,328,032	A	6/1967	Griswold
3,333,854	A	8/1967	White
3,343,839	A	9/1967	Borah
D209,294	S	11/1967	Hitt
3,357,705	A	12/1967	Blanchard
3,408,074	A	10/1968	Antonious
3,411,789	A	11/1968	Wariner
D217,487	S	5/1970	Blake
3,512,262	A	5/1970	Smyk et al.
3,578,332	A	5/1971	Caldwell
3,632,112	A	1/1972	Jacobs
3,708,182	A	1/1973	Rango
3,779,398	A	12/1973	Hunter
D230,293	S	2/1974	Gall
D230,294	S	2/1974	Gall

(List continued on next page.)

*Primary Examiner*—Mitchell Siegel  
(74) *Attorney, Agent, or Firm*—Michael A. Catania; Elaine H. Lo

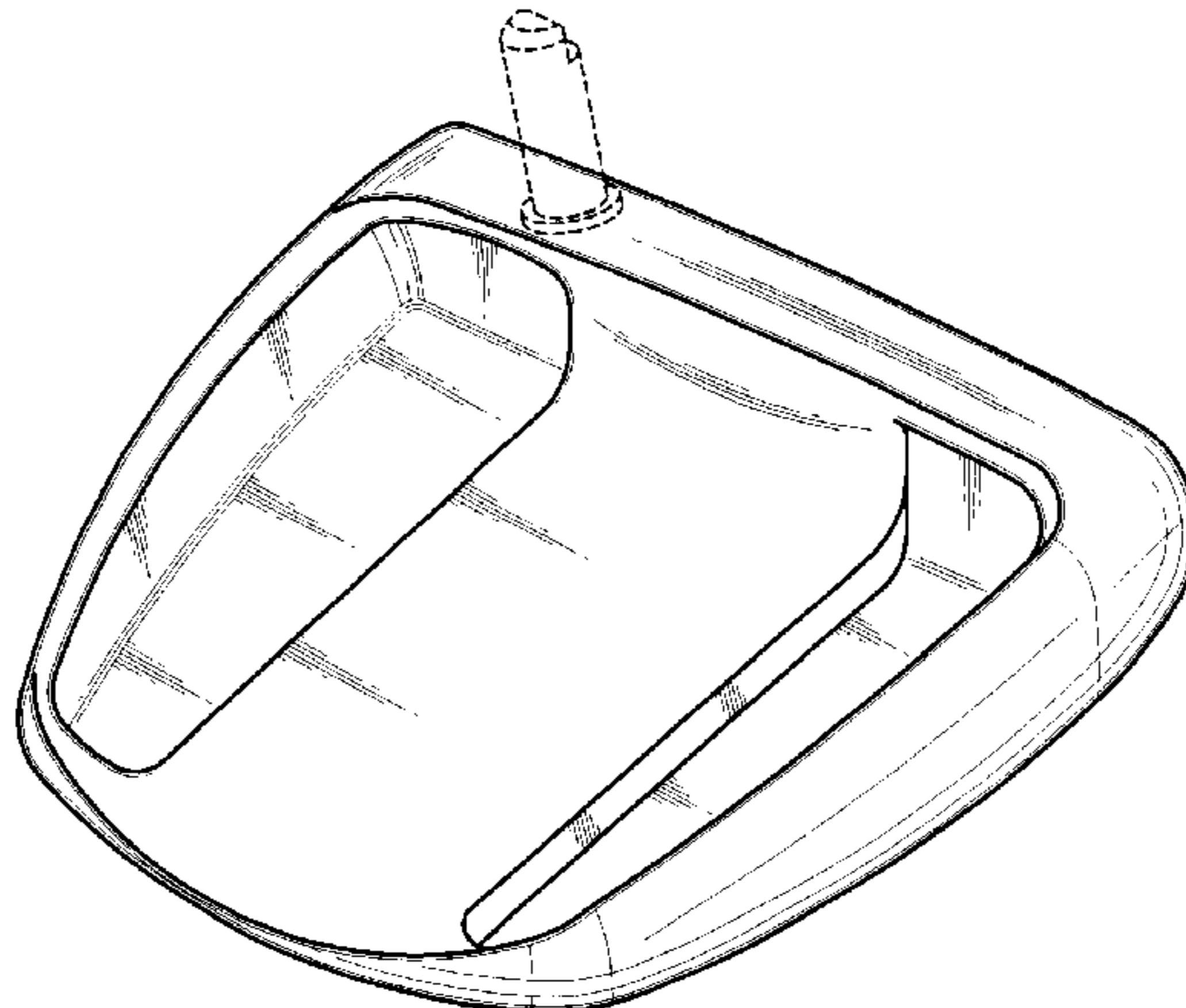
(57) **CLAIM**

The ornamental design for a putter head, as shown and described.

**DESCRIPTION**

FIG. 1 is a rear perspective view of a putter head;  
FIG. 2 is a bottom perspective view thereof;  
FIG. 3 is a top plan view thereof;  
FIG. 4 is a heel plan view thereof;  
FIG. 5 is a bottom plan view thereof;  
FIG. 6 is rear plan view thereof.  
FIG. 7 is toe plan view thereof.  
FIG. 8 is a front plan view thereof;  
FIG. 9 is a cross-section view taken along line 9—9 of FIG. 3 thereof; and,  
FIG. 10 is a cross-sectional view taken along line 10—10 of FIG. 3.

**1 Claim, 3 Drawing Sheets**



# US D484,935 S

Page 2

## U.S. PATENT DOCUMENTS

D230,615 S	3/1974	Delgadillo	4,519,612 A *	5/1985	Tsao	.....	473/248
3,806,129 A	4/1974	Burrows	4,688,798 A	8/1987	Pelz		
3,841,640 A	10/1974	Gaulocher	D309,765 S	8/1990	Pelz		
3,841,641 A	10/1974	Bennett	D309,766 S	8/1990	Pelz		
D233,616 S	11/1974	Verzillo	D317,034 S	5/1991	Pelz		
3,884,477 A	5/1975	Bianco	D317,962 S	7/1991	Pelz		
3,918,720 A	11/1975	Gordos	D337,803 S *	7/1993	Sillers	.....	D21/741
D241,563 S	9/1976	McCord	D374,470 S *	10/1996	Steele	.....	D21/745
D245,437 S	8/1977	Thiel	D377,675 S *	1/1997	Abel	.....	D21/745
D248,050 S	5/1978	Muehl	D380,801 S *	7/1997	Steele	.....	D21/744
D252,221 S	6/1979	Mariani	5,685,784 A	11/1997	Butler		
4,278,254 A	7/1981	Simjian	D395,692 S	6/1998	Butler		
4,314,701 A	2/1982	Swanson	D422,328 S	4/2000	Lannoch		
4,411,431 A	10/1983	Judice	D448,437 S	9/2001	Colucci		
4,444,395 A	4/1984	Reiss	D461,860 S *	8/2002	Tang	.....	D21/742

\* cited by examiner

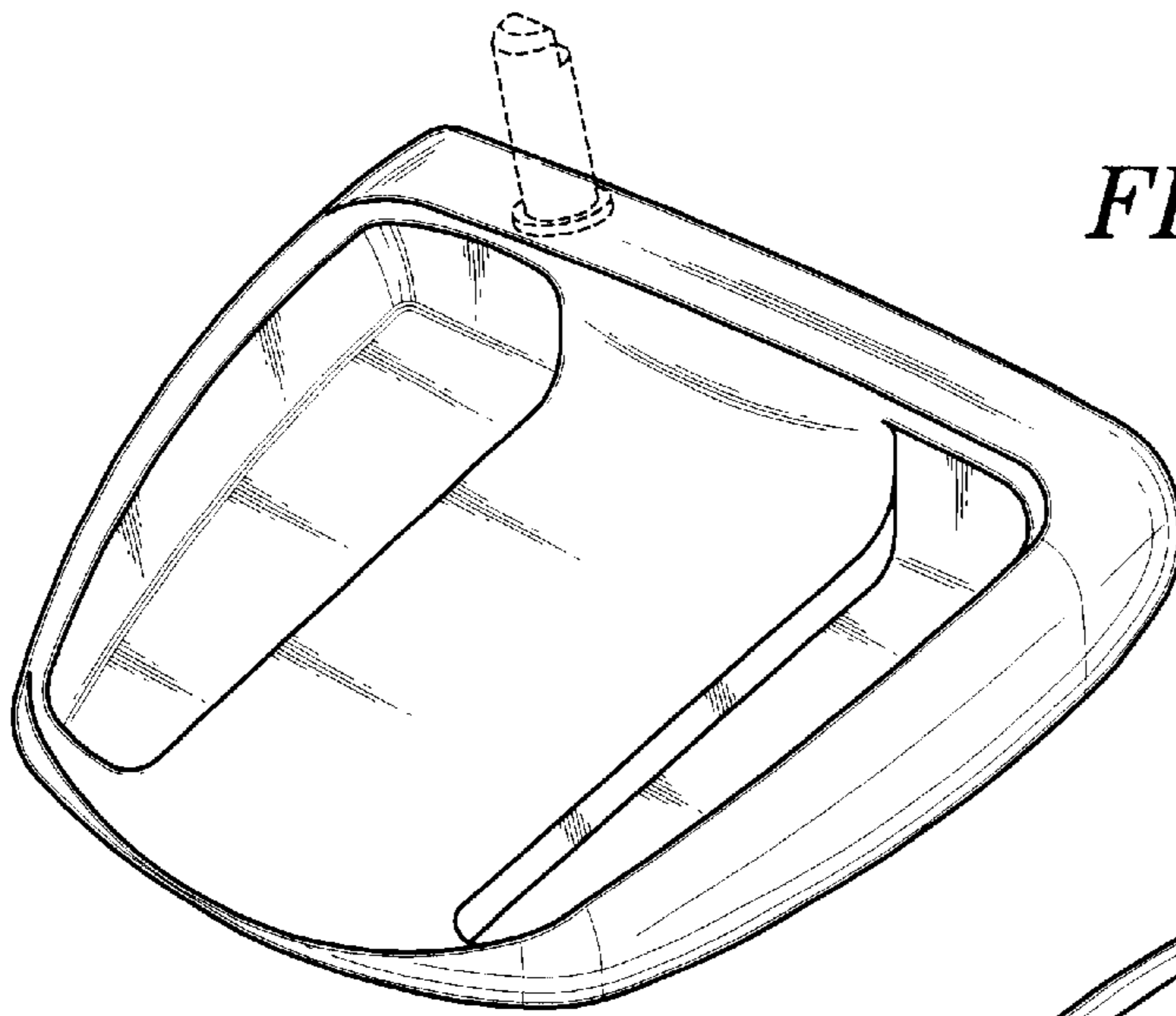


FIG. 1

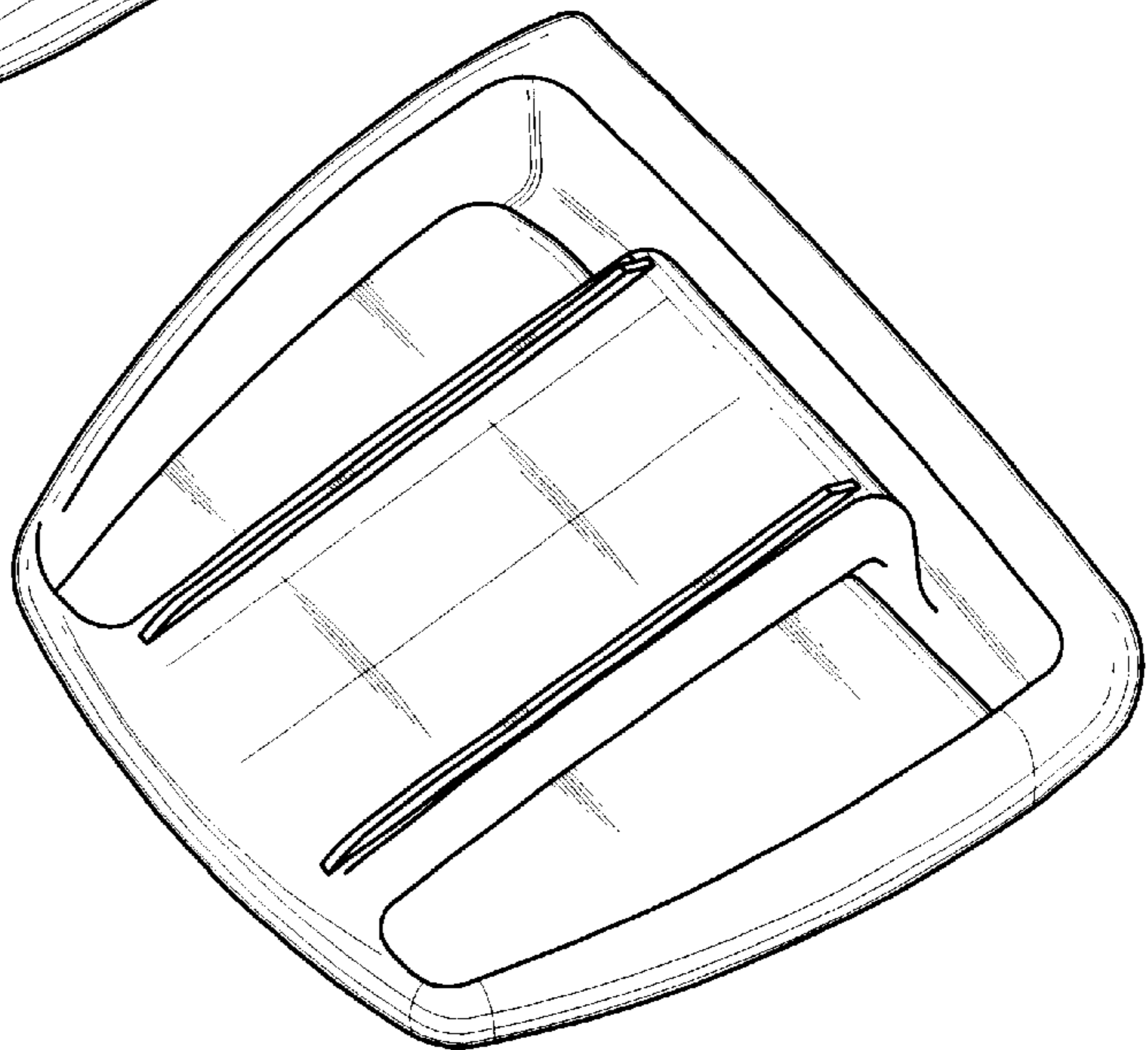


FIG. 2

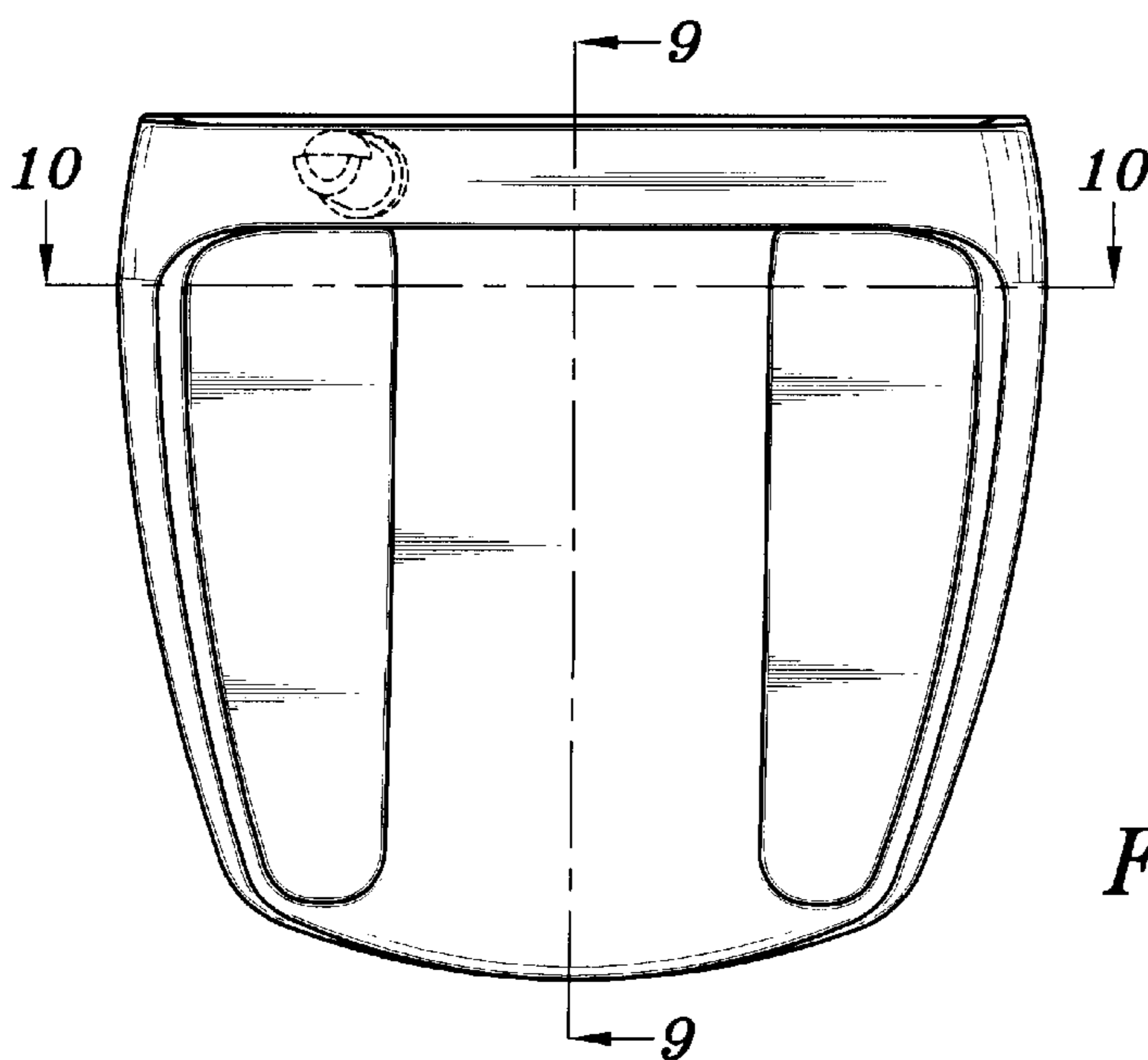


FIG. 3



FIG. 4

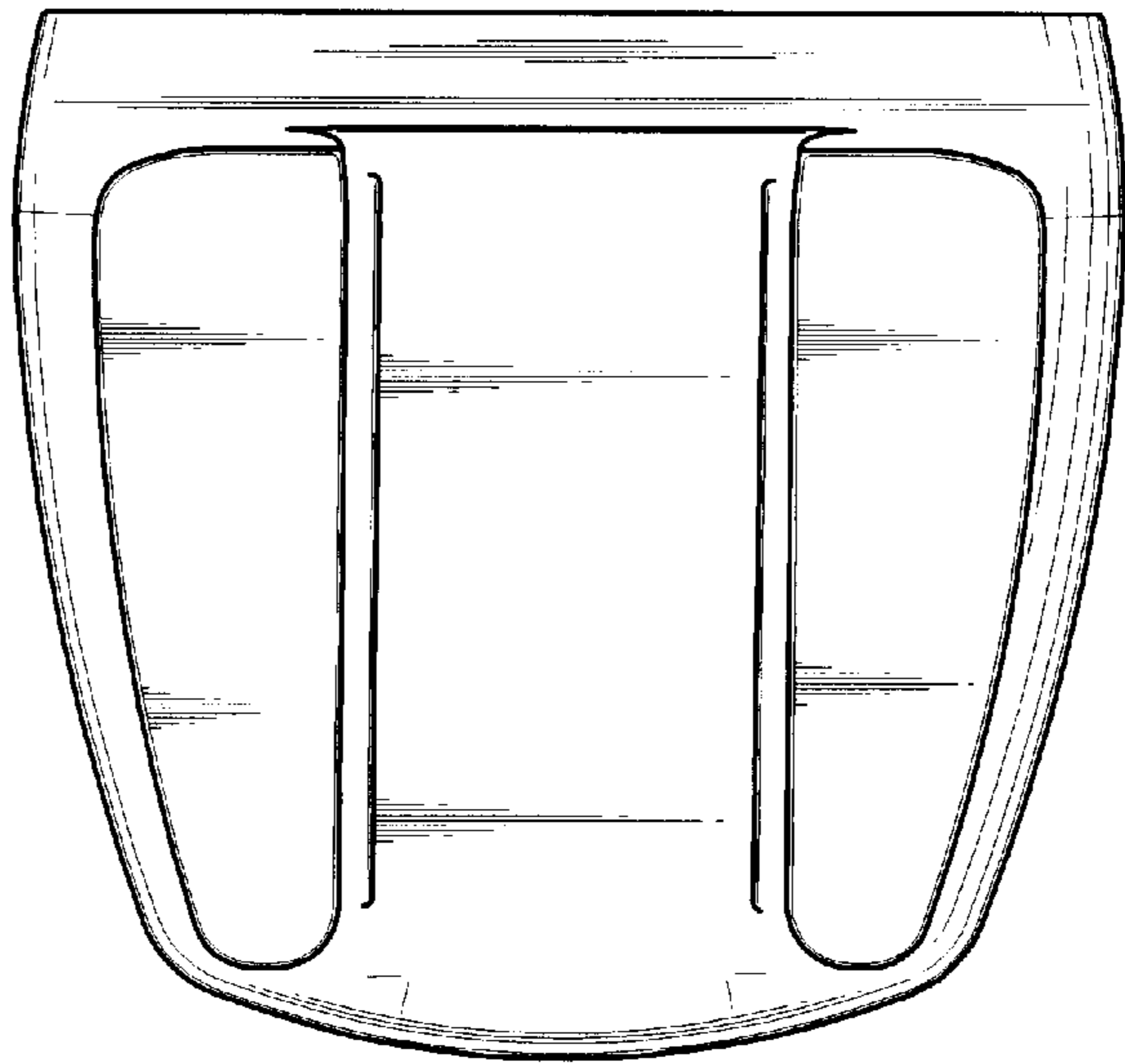


FIG. 5

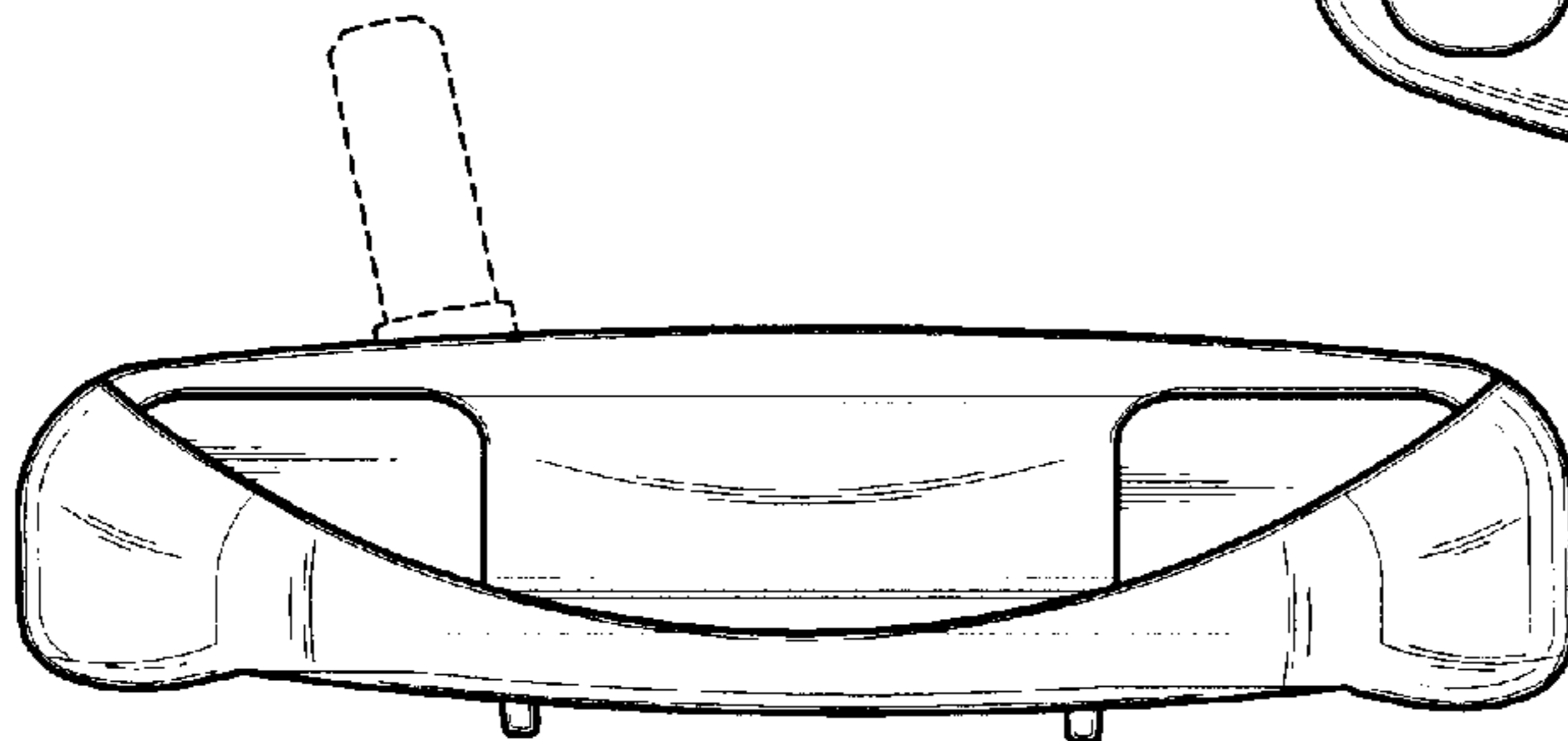


FIG. 6

FIG. 7

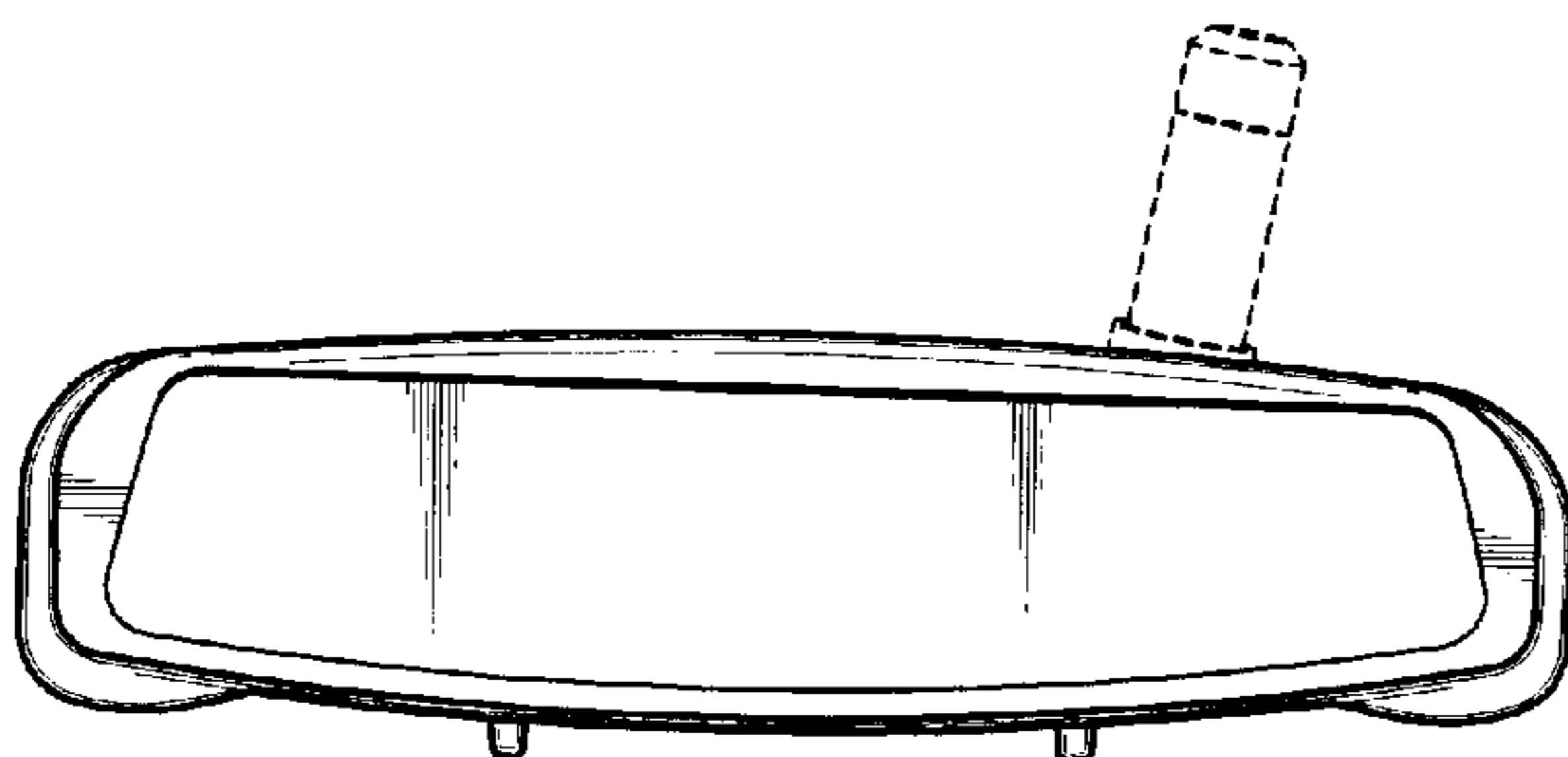
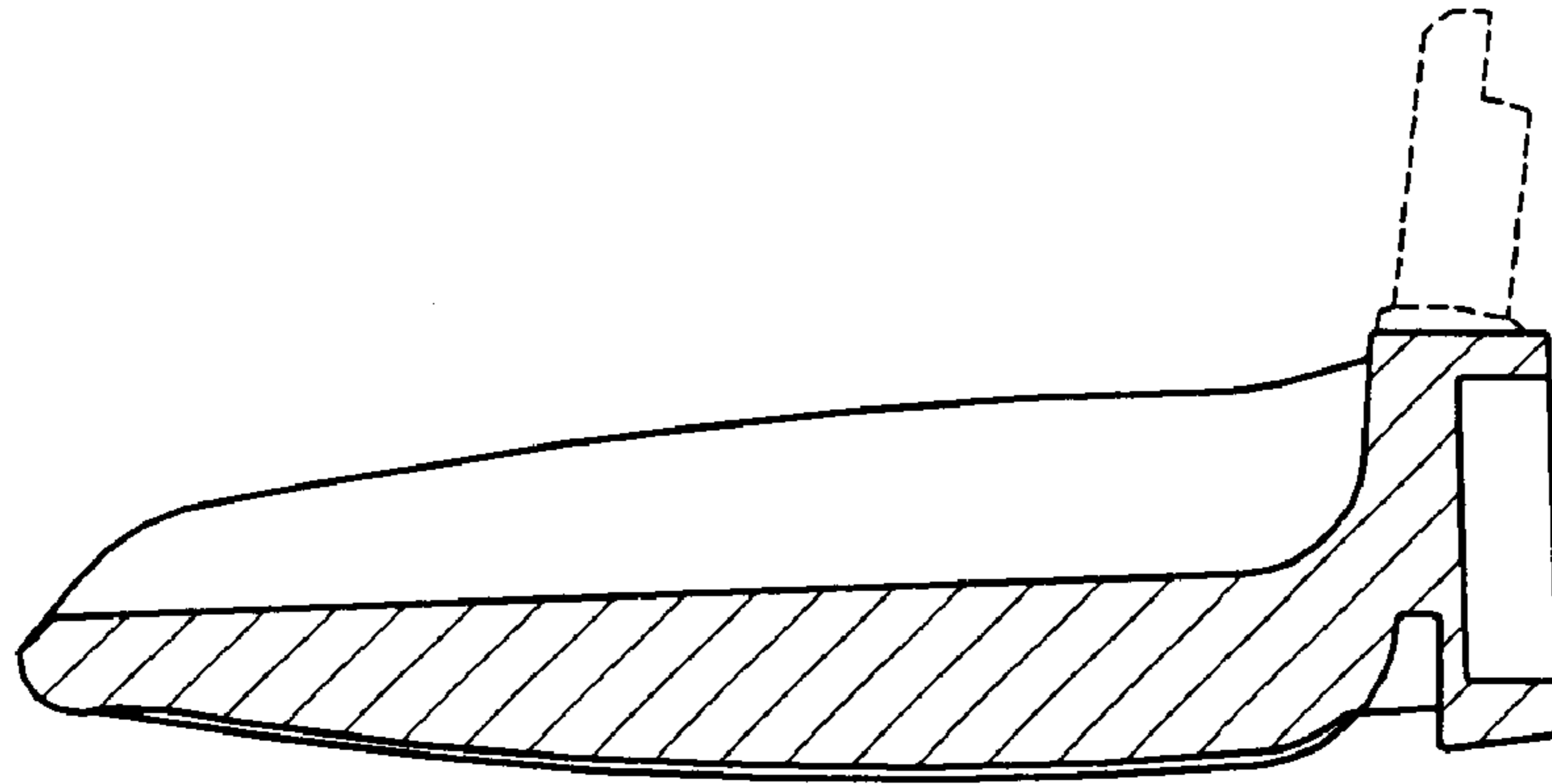
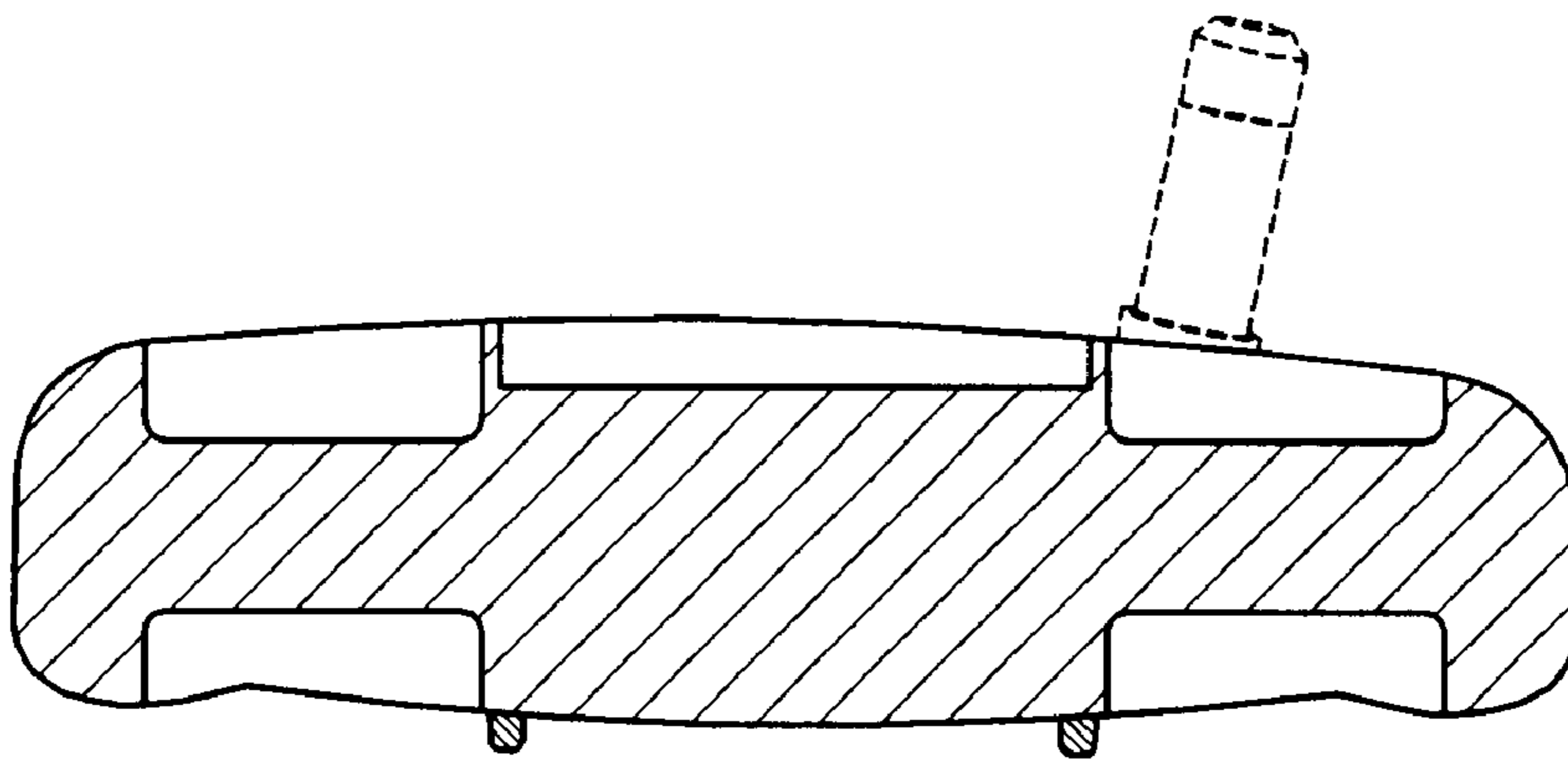


FIG. 8



*FIG. 9*



*FIG. 10*