



US00D484930S

(12) **United States Design Patent**  
**Yang**

(10) **Patent No.:** **US D484,930 S**

(45) **Date of Patent:** **\*\* Jan. 6, 2004**

(54) **EXERCISE STEPPER**

(76) Inventor: **Lien-Chuan Yang**, 11F-1, No. 149,  
Roosevelt Rd. Sec. 3, Taipei (TW)

(\*\*) Term: **14 Years**

(21) Appl. No.: **29/175,581**

(22) Filed: **Feb. 7, 2003**

(51) **LOC (7) Cl.** ..... **21-02**

(52) **U.S. Cl.** ..... **D21/670; D21/668**

(58) **Field of Search** ..... D21/662, 663,  
D21/668, 669, 670; 482/51, 52, 53, 79,  
80

(56) **References Cited**

**U.S. PATENT DOCUMENTS**

D319,085 S	*	8/1991	Kuo	.....	D21/670
D319,275 S	*	8/1991	Hurt	.....	D21/670
D319,855 S	*	9/1991	Bull	.....	D21/670
D321,229 S	*	10/1991	Dalton et al.	.....	D21/670
D328,770 S	*	8/1992	Henderson et al.	.....	D21/670

D329,887 S \* 9/1992 Yang ..... D21/670

D330,058 S \* 10/1992 Yang ..... D21/670

D354,321 S \* 1/1995 Clem ..... D21/670

D355,006 S \* 1/1995 Lo ..... D21/670

\* cited by examiner

*Primary Examiner*—Philip S. Hyder

(74) *Attorney, Agent, or Firm*—Troxell Law Office PLLC

(57) **CLAIM**

The ornamental design for an exercise stepper, as shown and described.

**DESCRIPTION**

FIG. 1 is a perspective view of the exercise stepper showing the new design;

FIG. 2 is a front view of the new design;

FIG. 3 is a rear view of the new design;

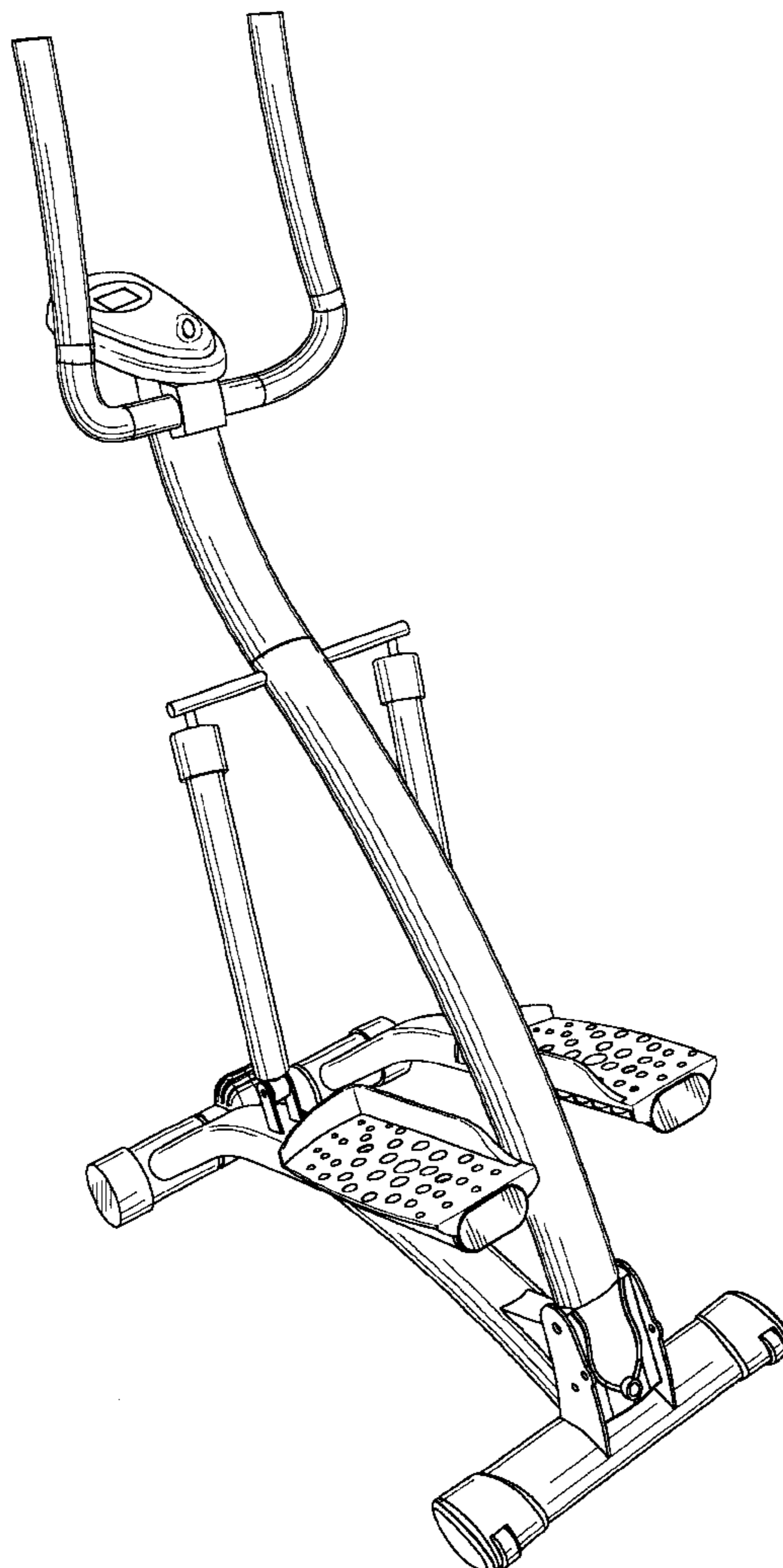
FIG. 4 is a left view of the new design;

FIG. 5 is a right view of the new design;

FIG. 6 is a top view of the new design; and,

FIG. 7 is a bottom view of the new design.

**1 Claim, 5 Drawing Sheets**



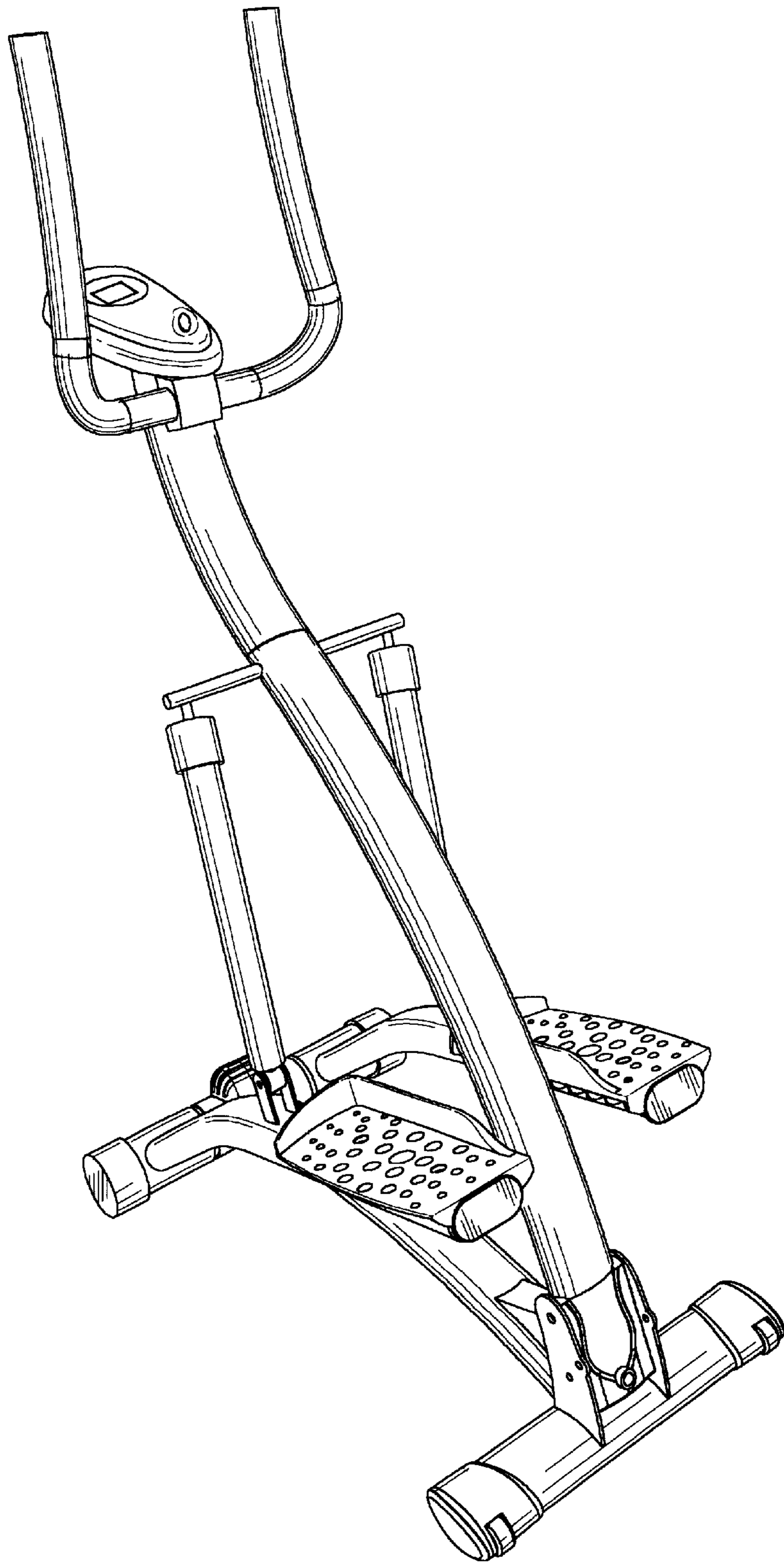


Fig. 1

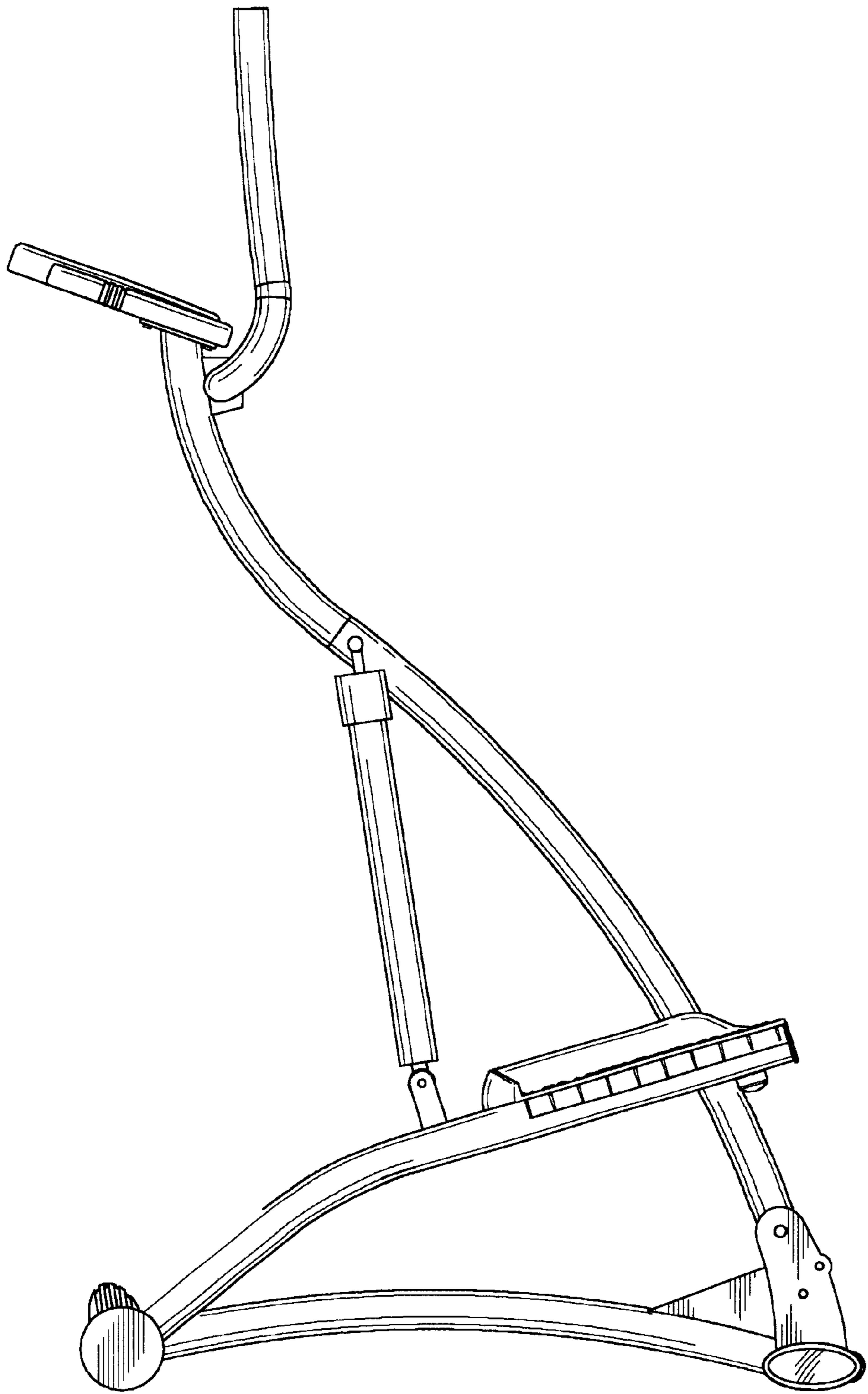


Fig. 2

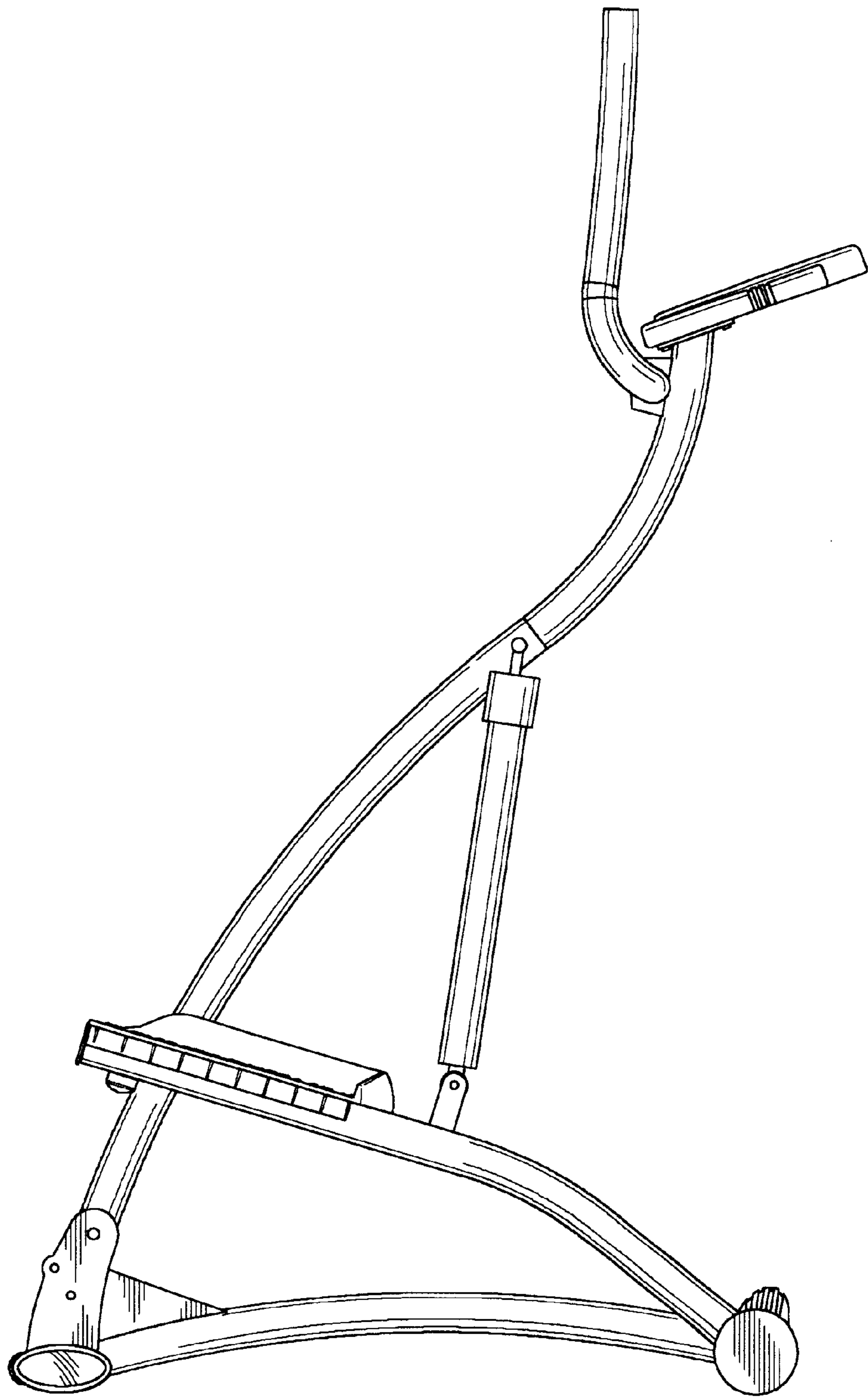


Fig. 3

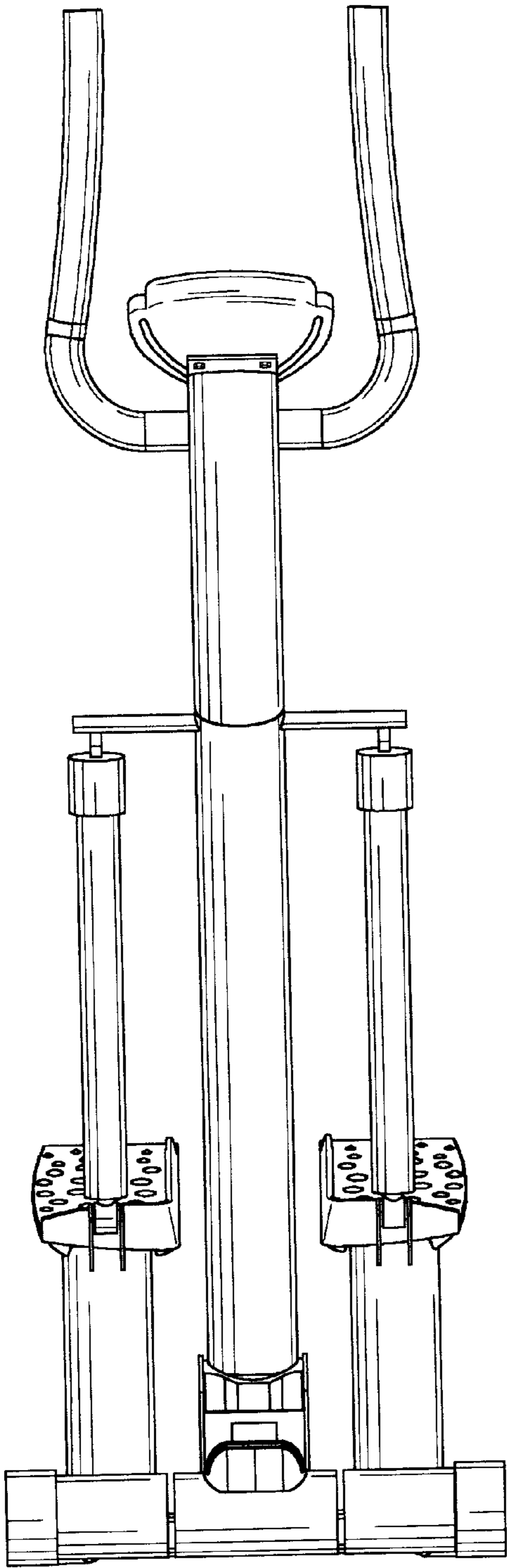


Fig. 4

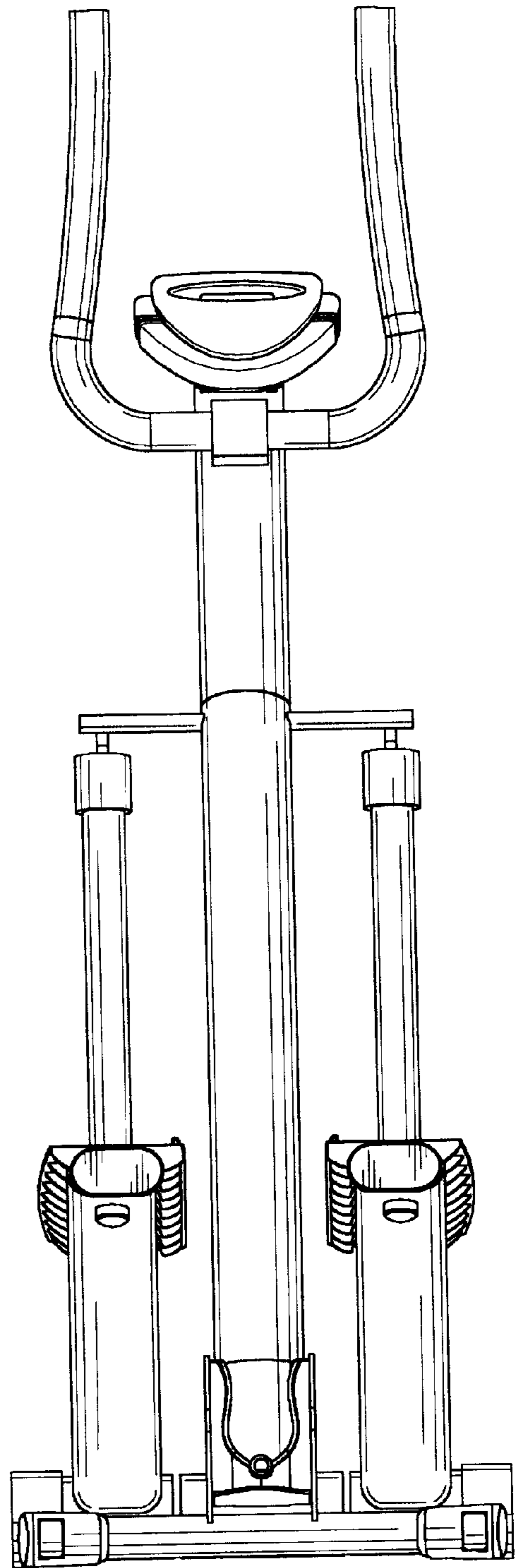


Fig. 5

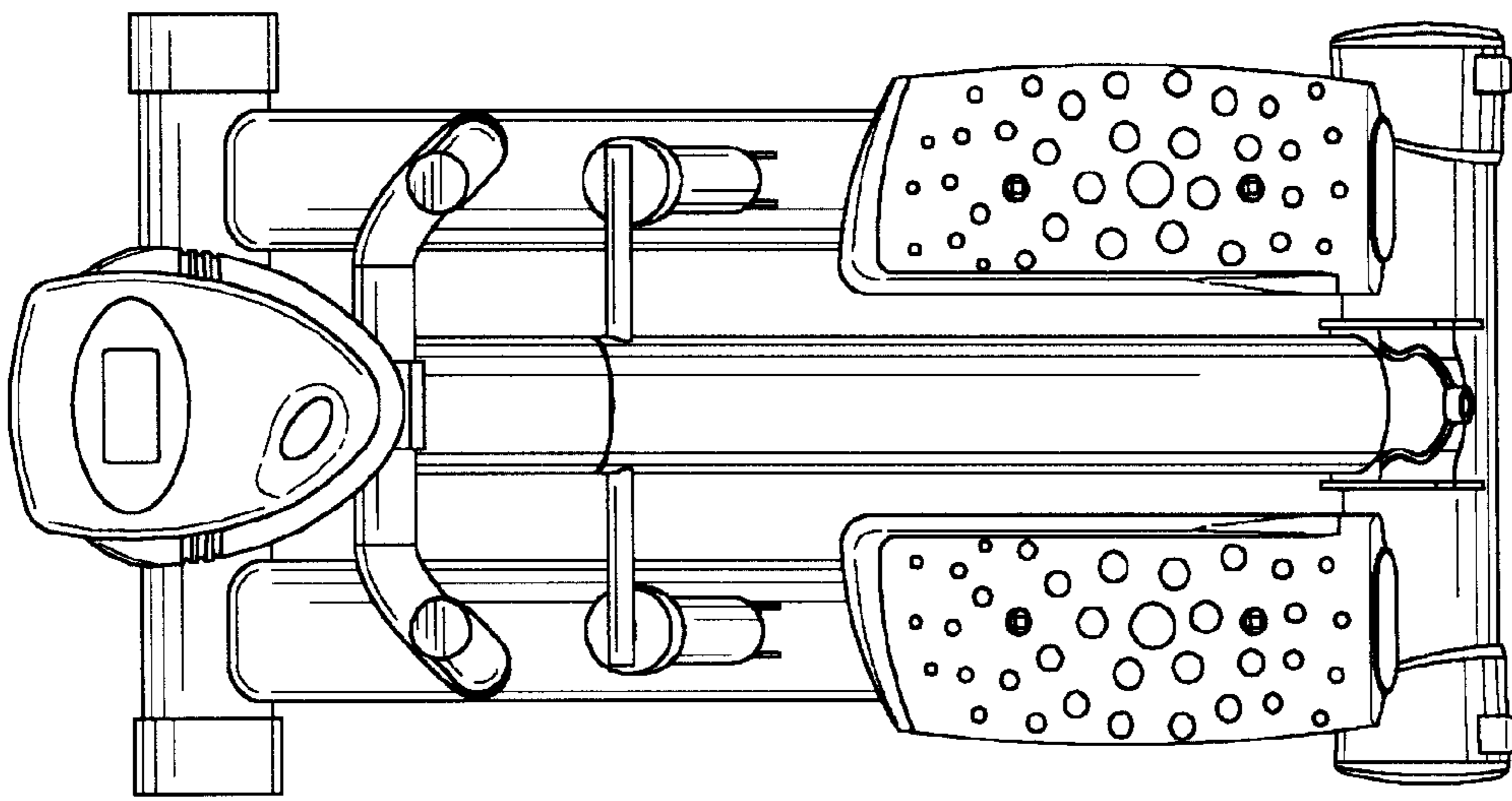


Fig. 6

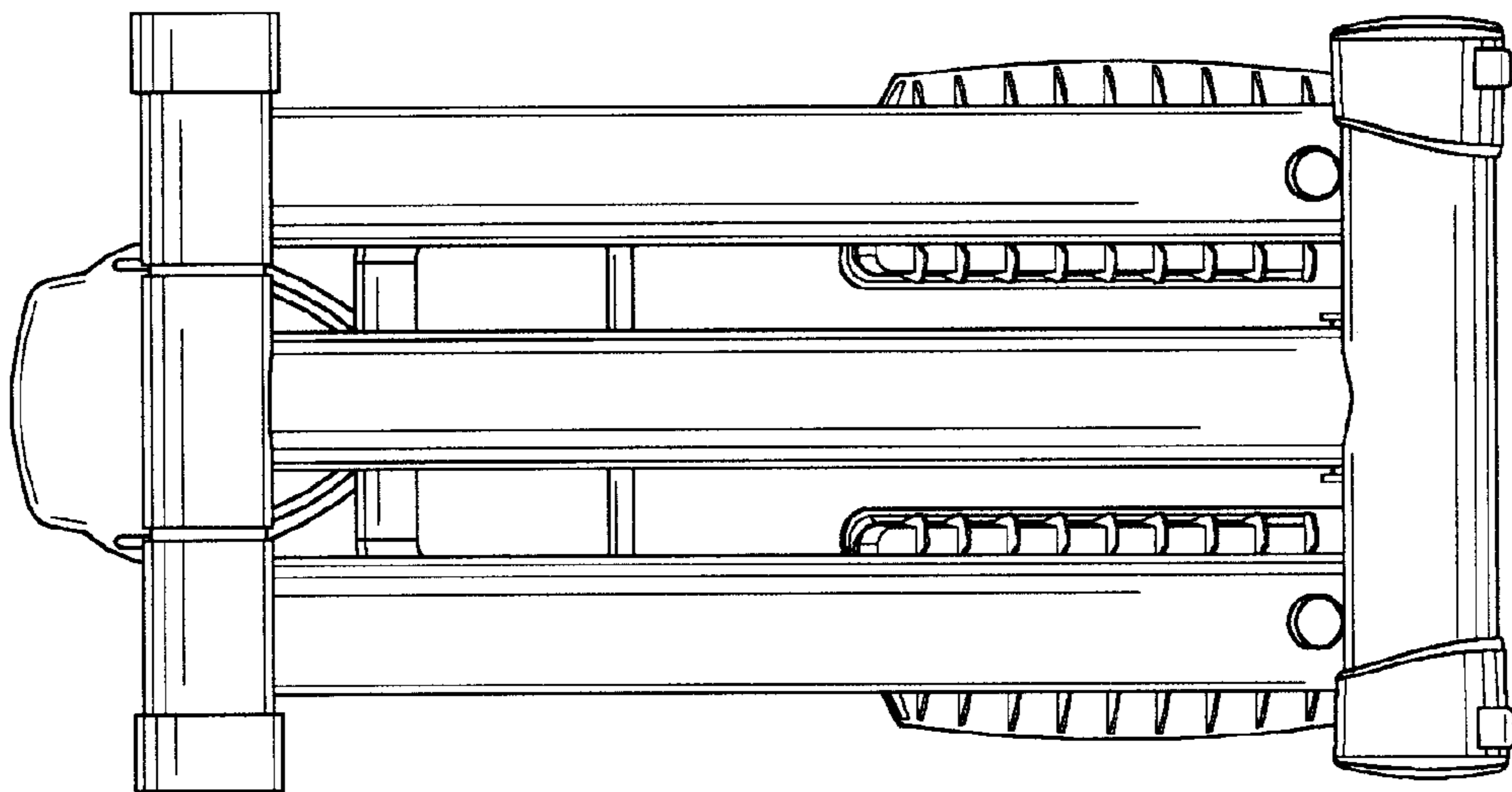


Fig. 7