



US00D484926S

(12) **United States Design Patent**
Rice et al.

(10) **Patent No.:** **US D484,926 S**

(45) **Date of Patent:** **** Jan. 6, 2004**

(54) **PAINTBALL MARKER GRIP FRAME**

(75) Inventors: **John Ronald Rice**, Upper Tean (GB);
Nicholas John Marks, Stoke-on-Trent
(GB); **Mark Andrew Walker**, Stone
(GB)

(73) Assignee: **NPF Limited**, Birmingham (GB)

(**) Term: **14 Years**

(21) Appl. No.: **29/160,810**

(22) Filed: **May 16, 2002**

(30) **Foreign Application Priority Data**

Nov. 23, 2001 (GB) 2106443

(51) **LOC (7) Cl.** **21-01**

(52) **U.S. Cl.** **D21/573; D21/570; D21/572**

(58) **Field of Search** **D21/567-575;**
D22/103-104, 107-109, 222, 224-225;
446/180, 219, 267, 430, 473, 475; 124/5,
25, 56, 51.1, 71-74, 77, 83; 42/54-55,
71.02; 222/78-79; 273/310-311; 362/110-114

(56) **References Cited**

U.S. PATENT DOCUMENTS

5,465,520 A * 11/1995 Cupp 42/71.02
5,950,611 A * 9/1999 Lopez et al. 124/72
6,065,460 A * 5/2000 Lotuaco, III 124/74

6,073,381 A * 6/2000 Farrar et al. 42/71.02
D441,410 S * 5/2001 Fernandez et al. D21/574
6,439,217 B1 * 8/2002 Shih 124/77
6,520,171 B2 * 2/2003 Reible 124/73

OTHER PUBLICATIONS

Hong Kong Toys p. 265, Feb., 1997.*

* cited by examiner

Primary Examiner—Raphael Barkai

(74) *Attorney, Agent, or Firm*—Foley & Lardner

(57) **CLAIM**

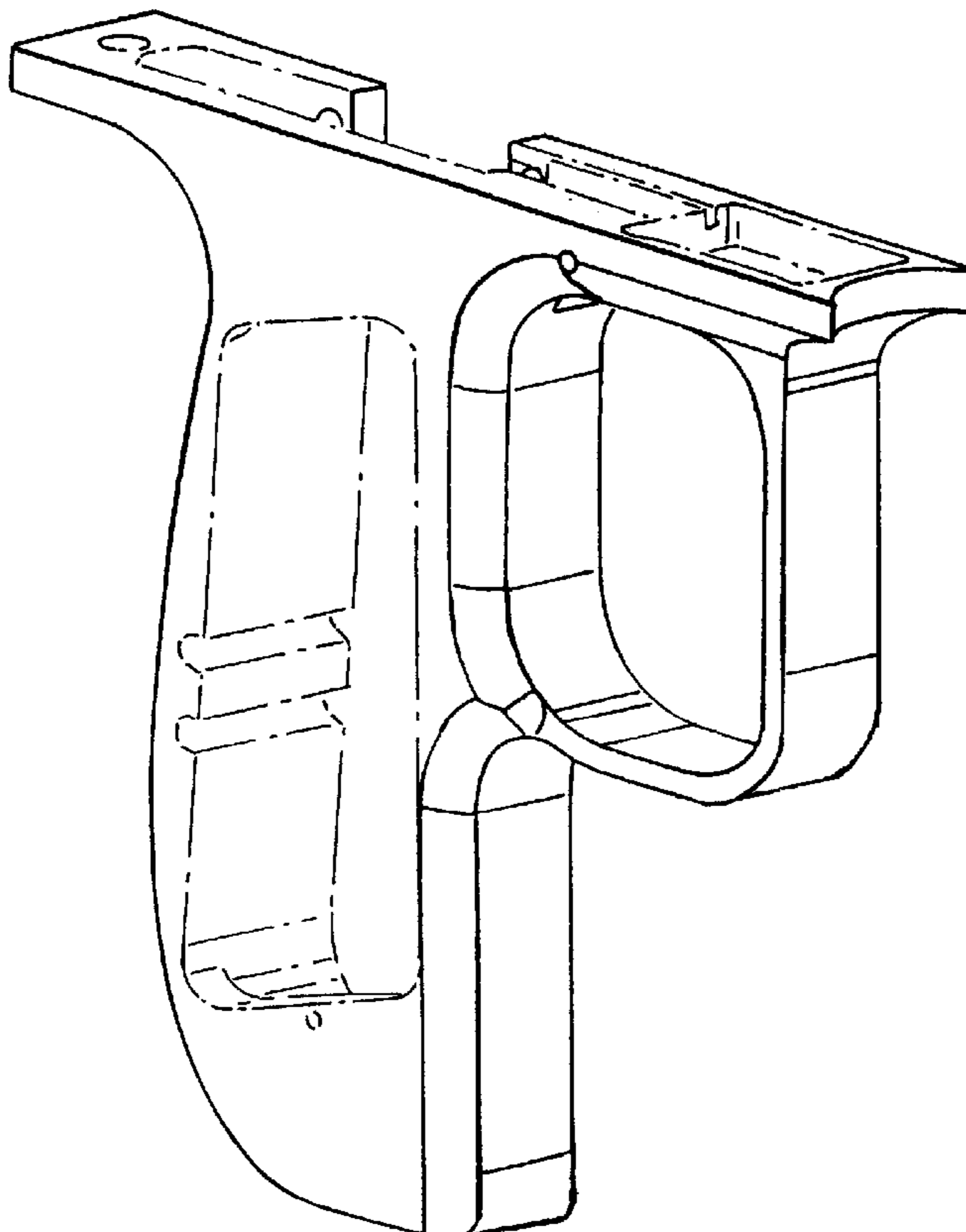
We claim the ornamental design for a paintball marker grip frame, as shown and described.

DESCRIPTION

FIG. 1 is a top view of the claimed design;
FIG. 2 is a bottom view of the claimed design;
FIG. 3 is a front view of the claimed design;
FIG. 4 is a back view of the claimed design;
FIG. 5 is a left side view of the claimed design;
FIG. 6 is a right side view of the claimed design; and,
FIG. 7 is a top perspective view from the rear and the right side of the claimed design.

The ornamental design which is claimed is shown in solid lines in the drawings. The broken lines in the drawings are for illustrative purposes only and form no part of the claimed design.

1 Claim, 3 Drawing Sheets



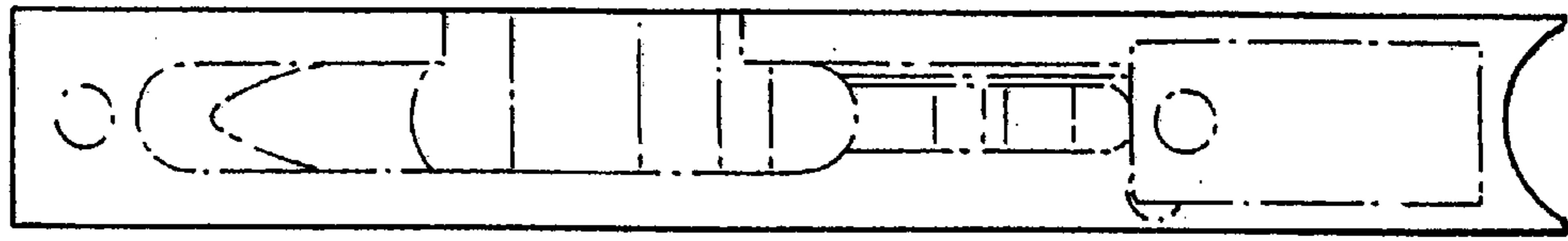


Fig. 1

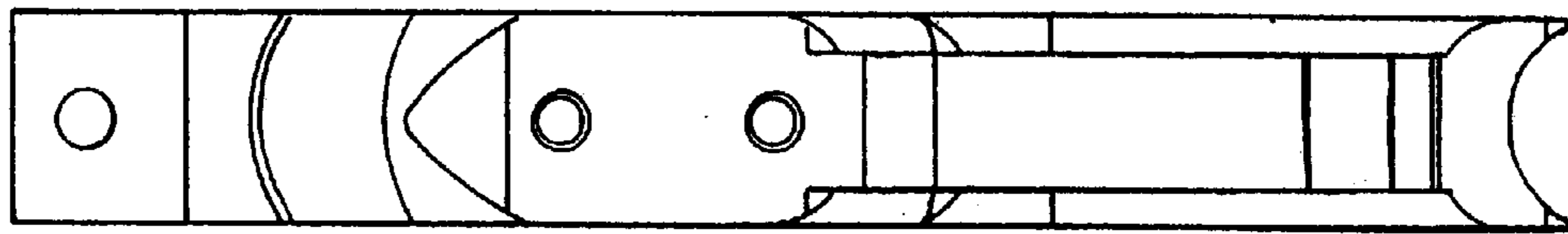


Fig. 2

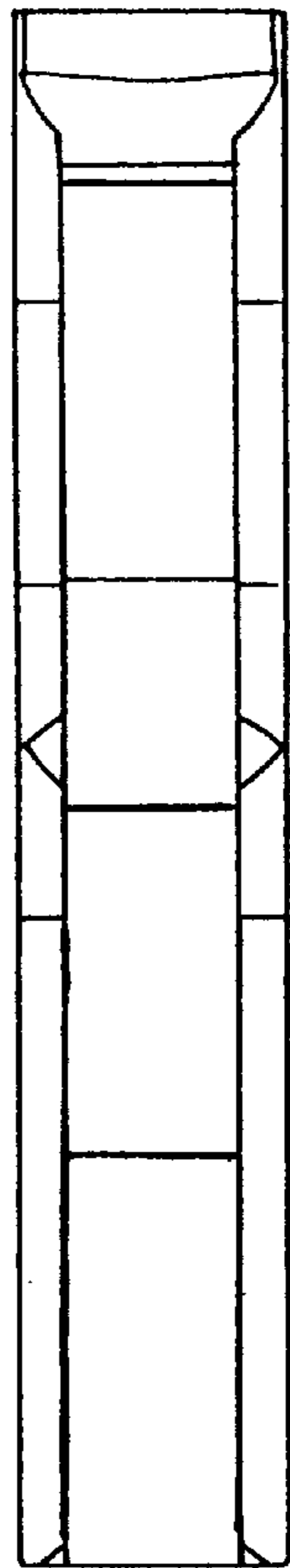


Fig. 3



Fig. 4

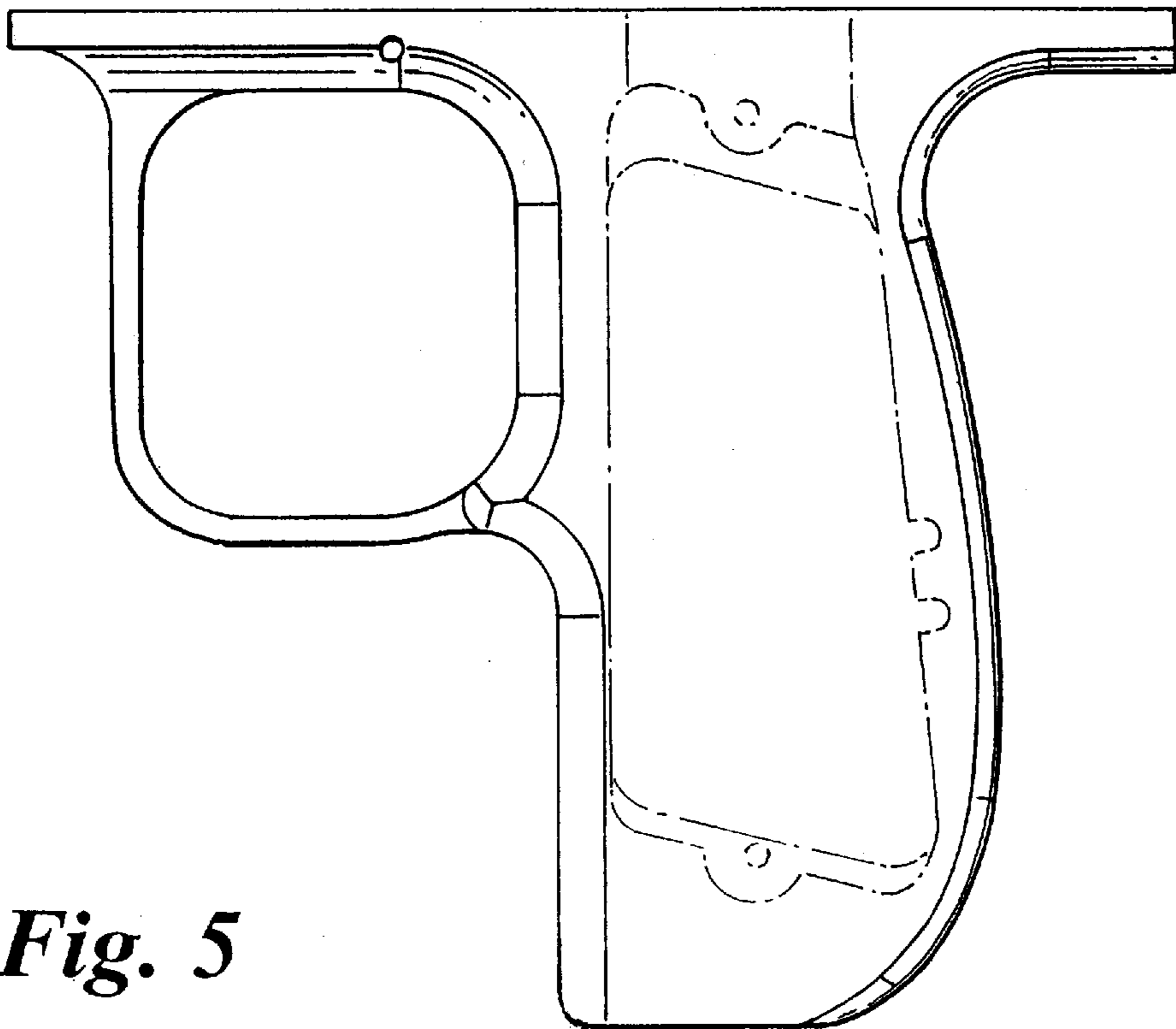


Fig. 5

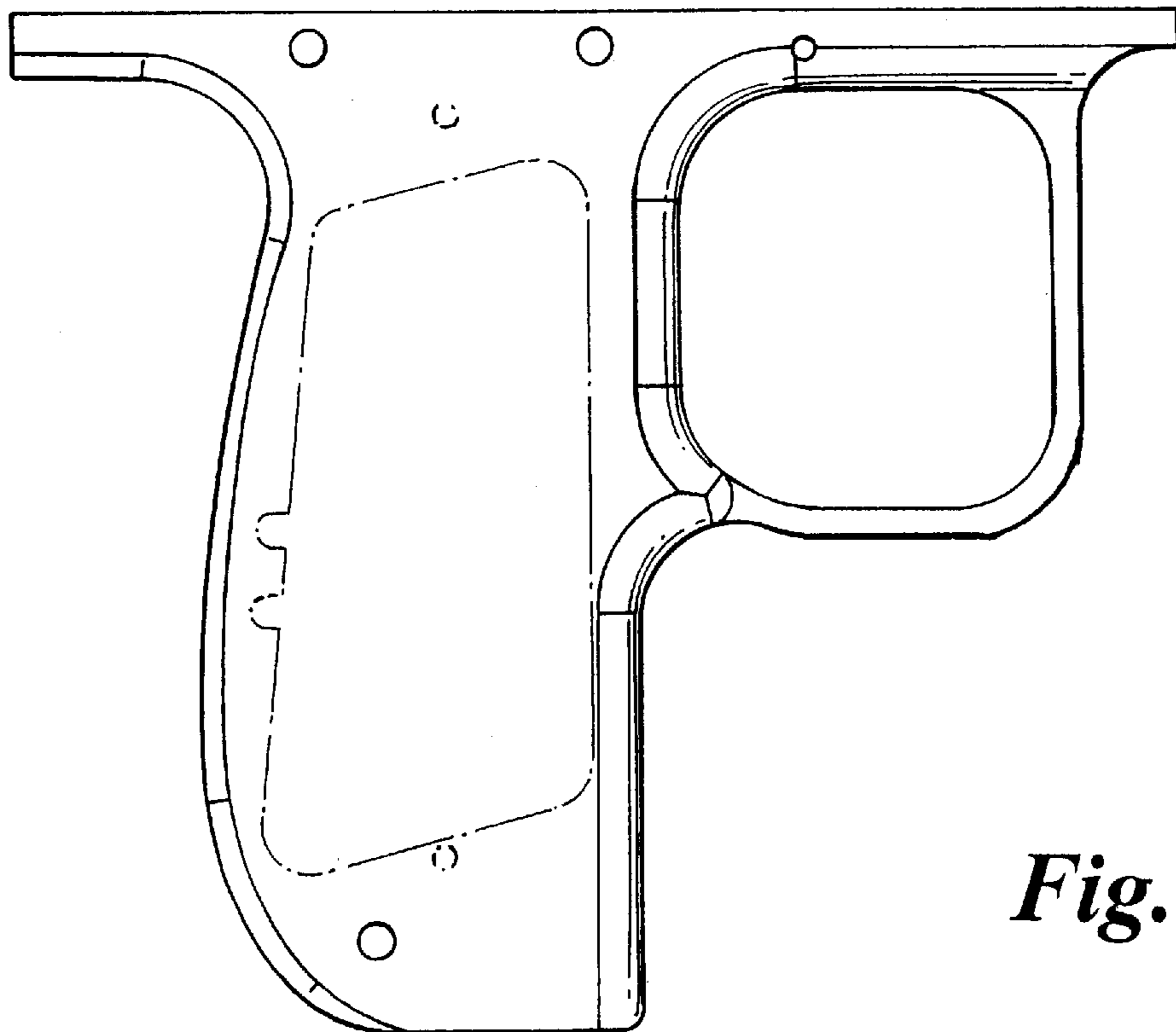


Fig. 6

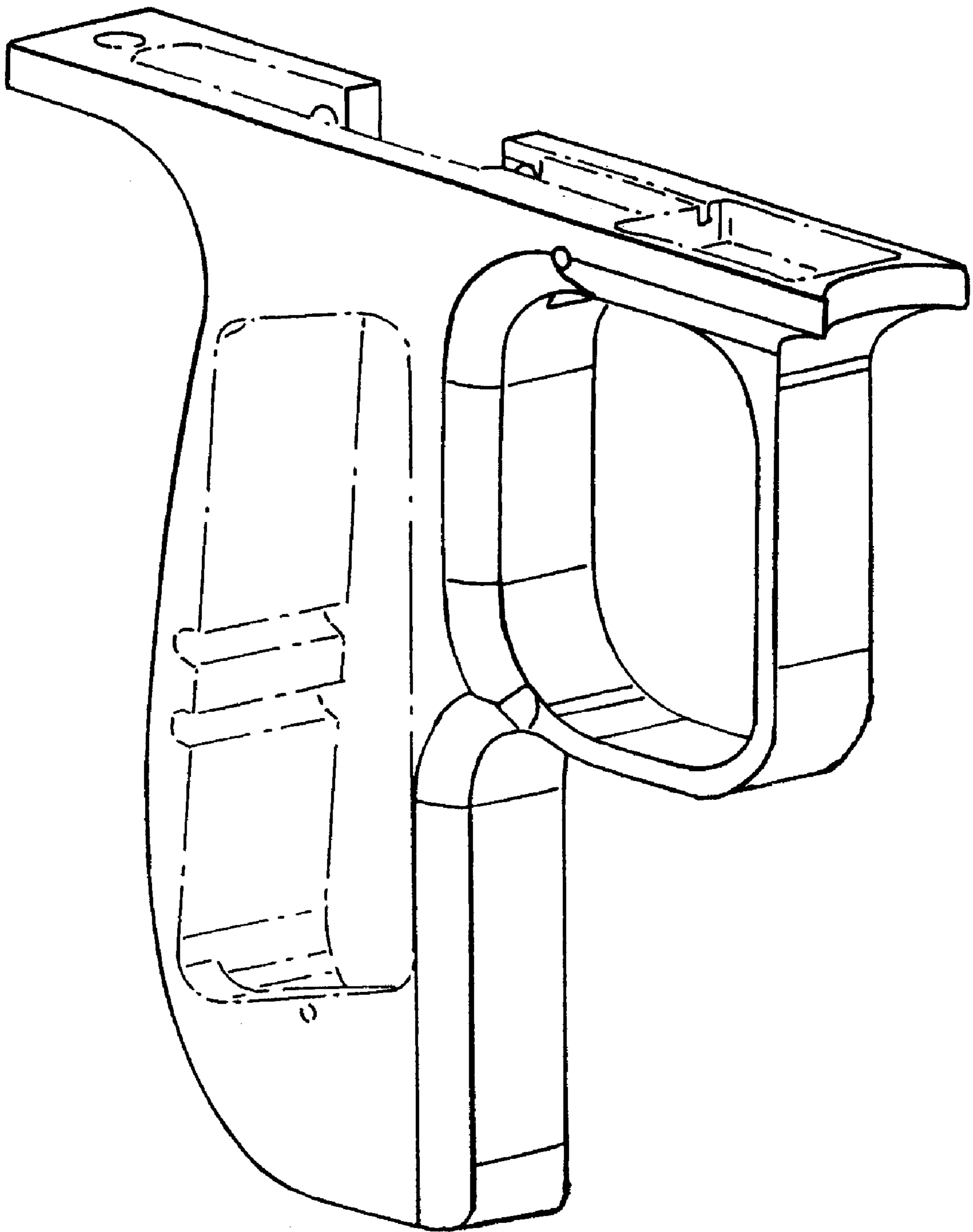


Fig. 7