



US00D484924S

(12) **United States Design Patent**  
**Schneider**

(10) **Patent No.:** **US D484,924 S**

(45) **Date of Patent:** **\*\* Jan. 6, 2004**

(54) **TOY TRACTOR**

(75) **Inventor:** **Frank Rolf Schneider**, Coburg (DE)

(73) **Assignee:** **Schneider GmbH & Co. KG**, Coburg (DE)

(\*\*) **Term:** **14 Years**

(21) **Appl. No.:** **29/177,995**

(22) **Filed:** **Mar. 19, 2003**

(51) **LOC (7) Cl.** ..... **21-01**

(52) **U.S. Cl.** ..... **D21/431**

(58) **Field of Search** ..... D21/419-435,  
D21/533-537, 548-551, 561-563; D15/24,  
25; 446/424-425, 433, 427, 440, 454, 456-457,  
462, 465, 470, 489; 280/113, 828, 87.01,  
87.021, 87.051; 296/190, 202; 414/685,  
694, 722, 724

(56) **References Cited**

**U.S. PATENT DOCUMENTS**

D202,436 S \* 9/1965 Schreckangost ..... D21/431  
D211,746 S \* 7/1968 Genin ..... D21/537

4,236,344 A \* 12/1980 Kelly ..... 446/425

5,273,375 A \* 12/1993 Plourde ..... D15/25

D382,024 S \* 8/1997 Ewringmann ..... D21/431

D419,618 S \* 1/2000 Park ..... D21/537

D441,038 S \* 4/2001 Wei ..... D21/537

**OTHER PUBLICATIONS**

Toys r us, p. 49, 1993.\*

\* cited by examiner

*Primary Examiner*—Raphael Barkai

(74) *Attorney, Agent, or Firm*—Pyle & Piontek

(57) **CLAIM**

I claim the ornamental design for toy tractor, as shown.

**DESCRIPTION**

FIG. 1 is a left side view showing the new design for a toy vehicle;

FIG. 2 is a right side view thereof;

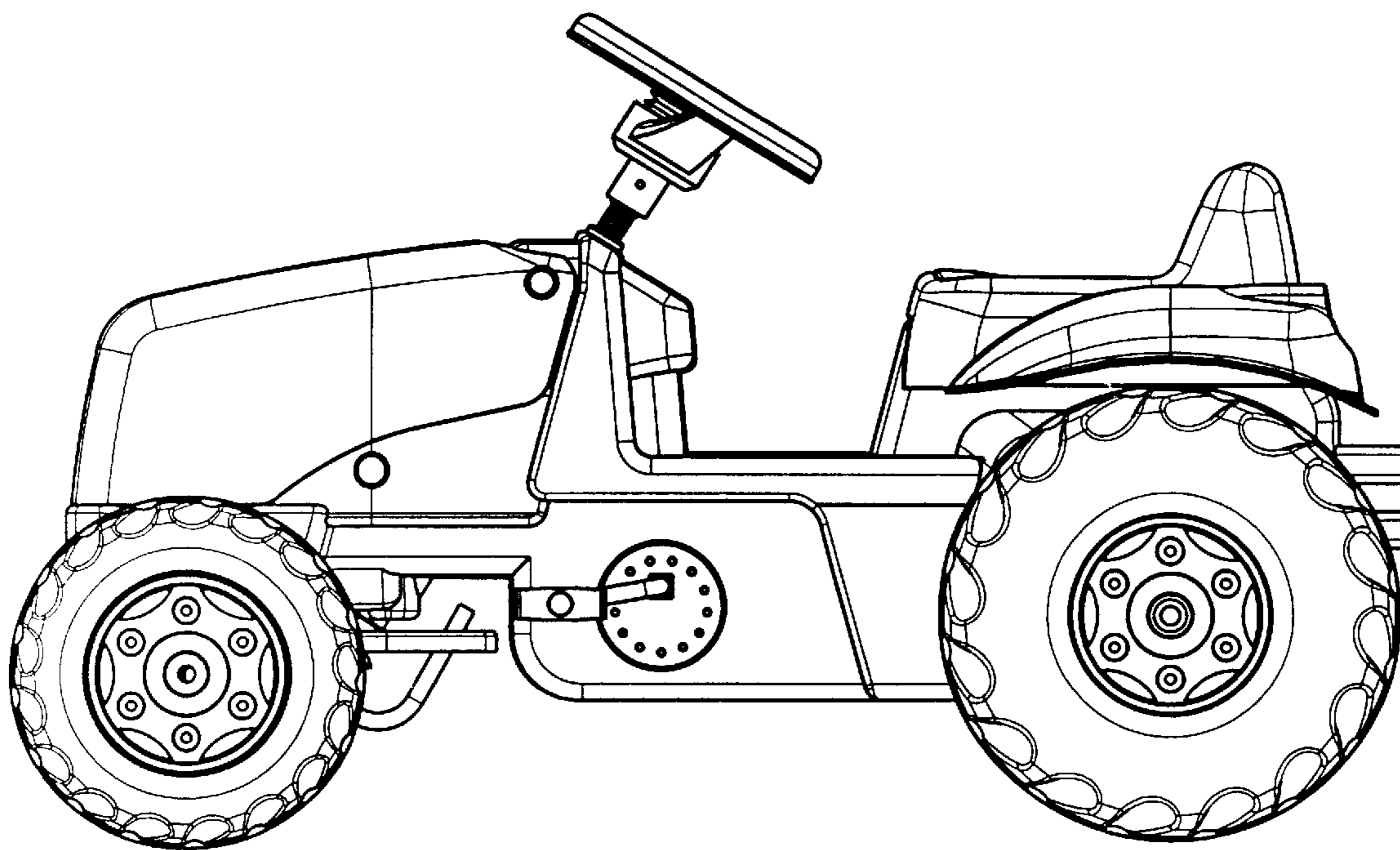
FIG. 3 is a front view thereof;

FIG. 4 is a rear view thereof;

FIG. 5 is a top view thereof; and,

FIG. 6 is a bottom plan view thereof.

**1 Claim, 6 Drawing Sheets**



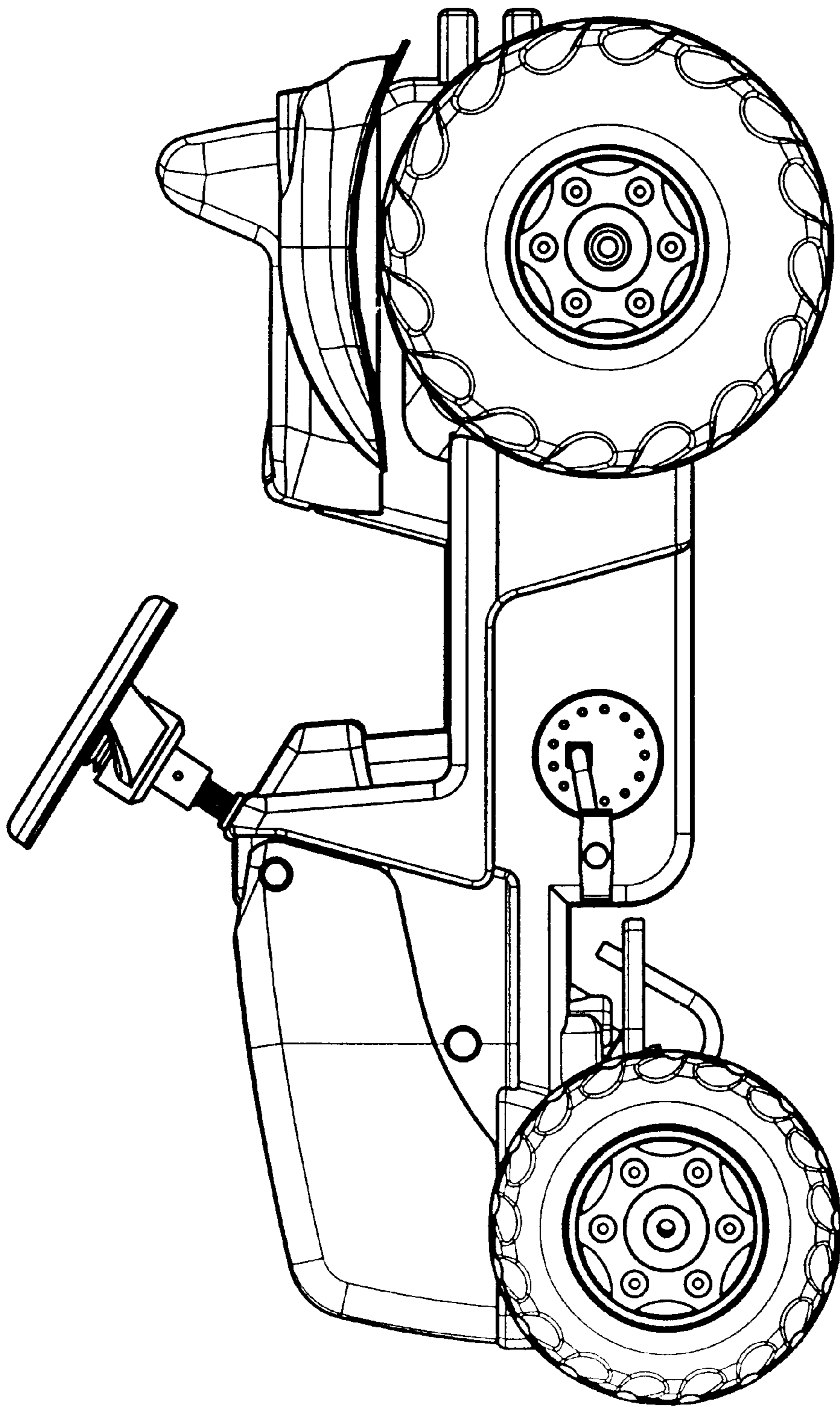


FIG. 1

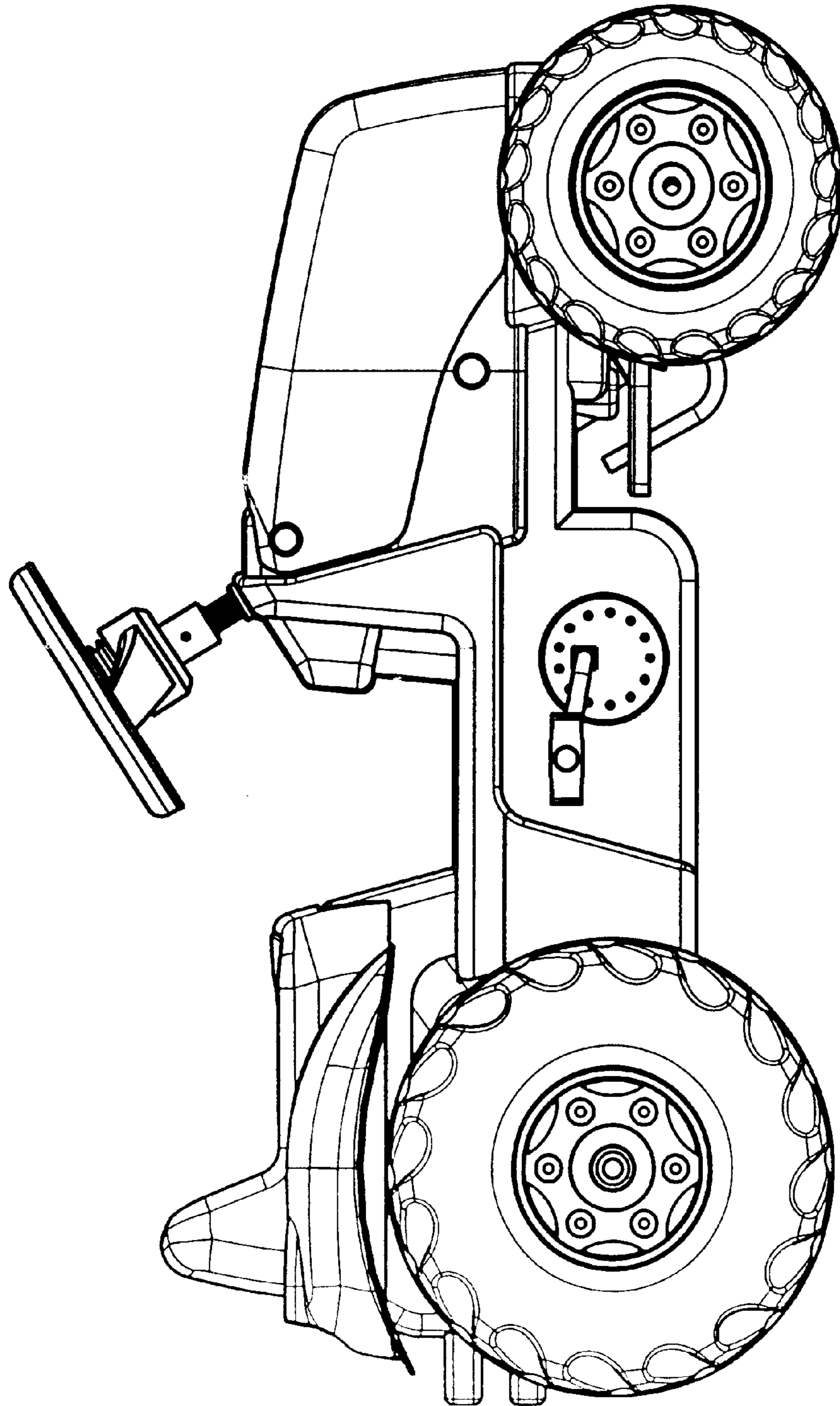


FIG. 2

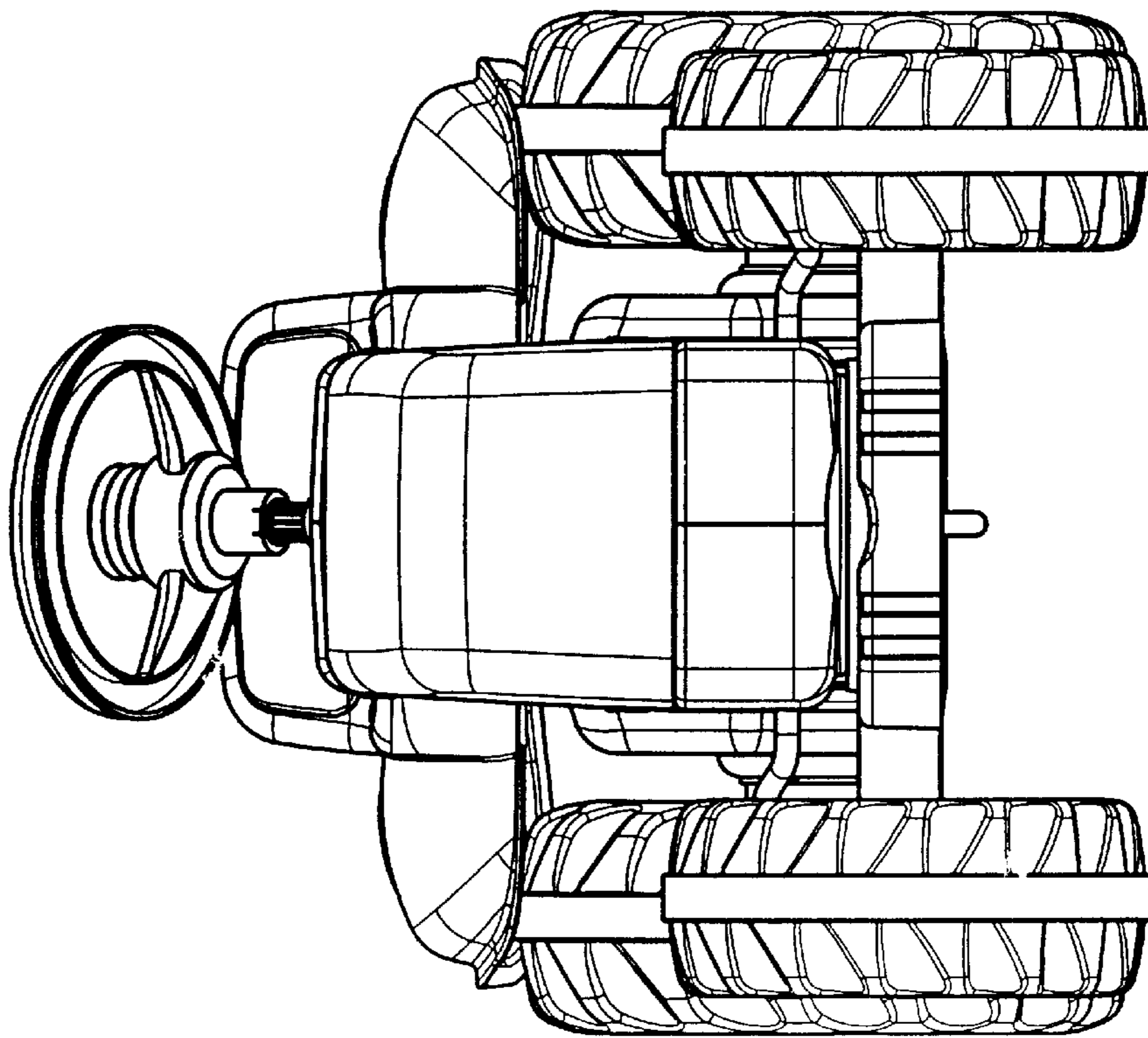


FIG. 3

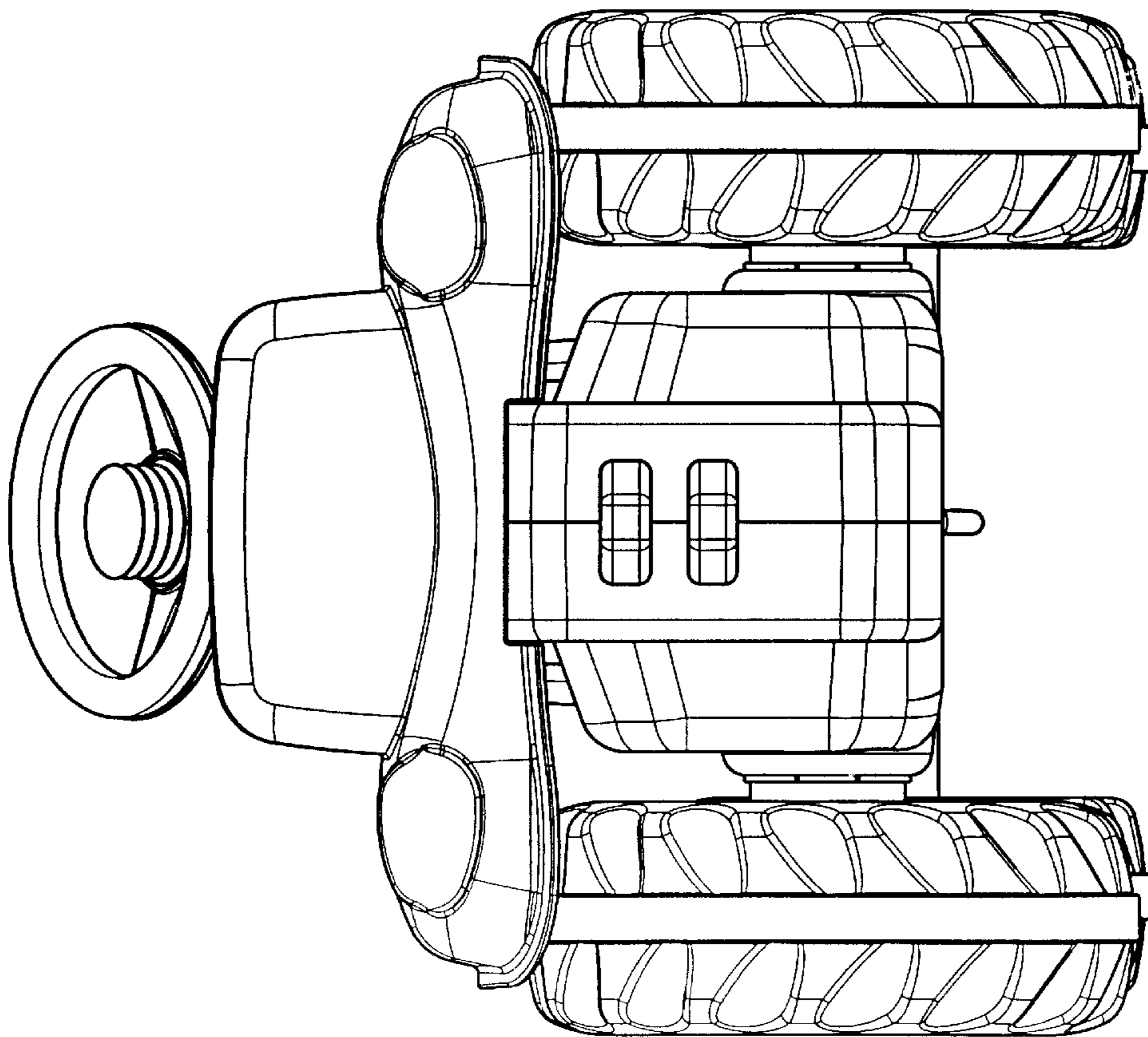


FIG. 4

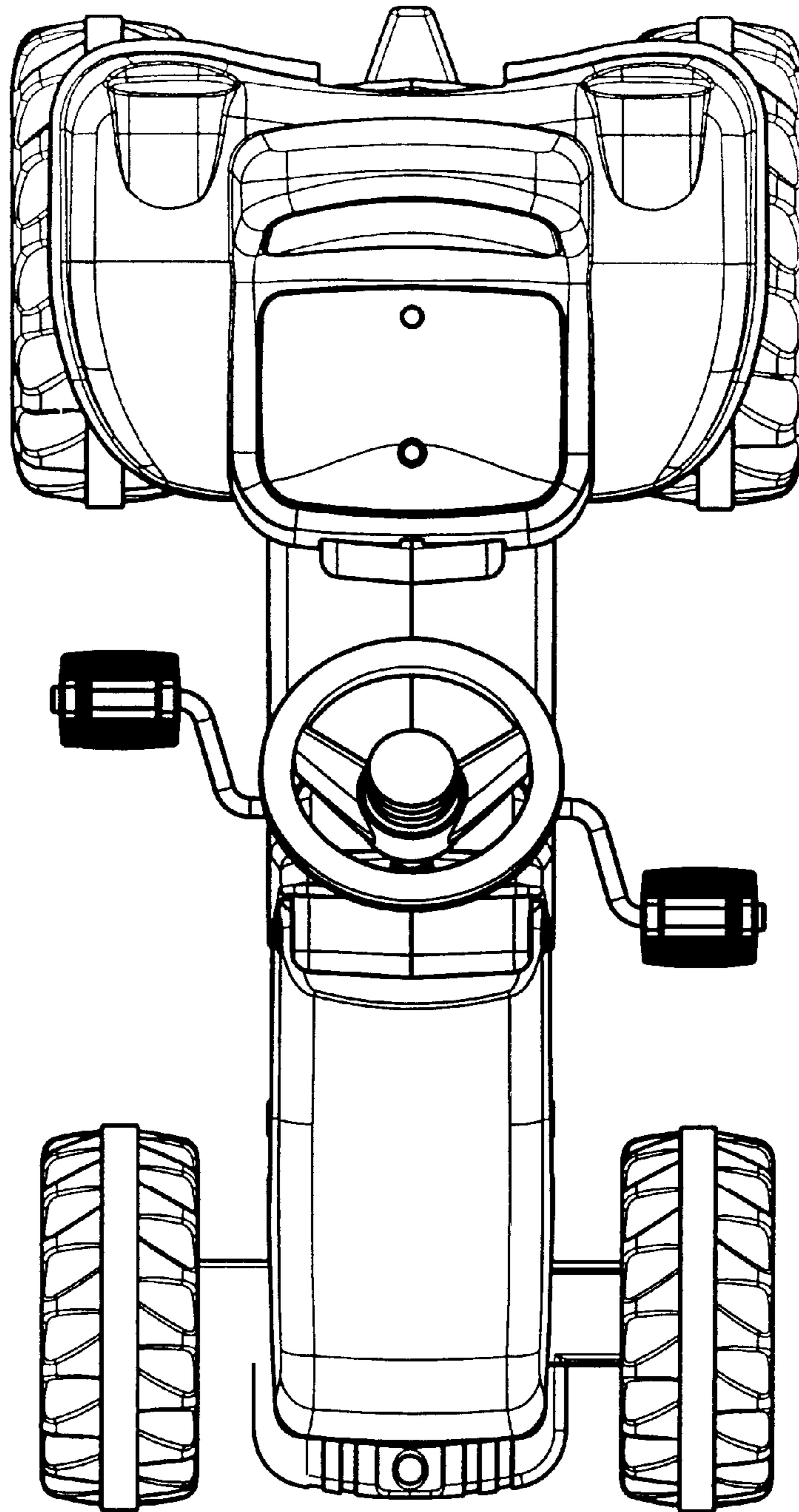


FIG. 5

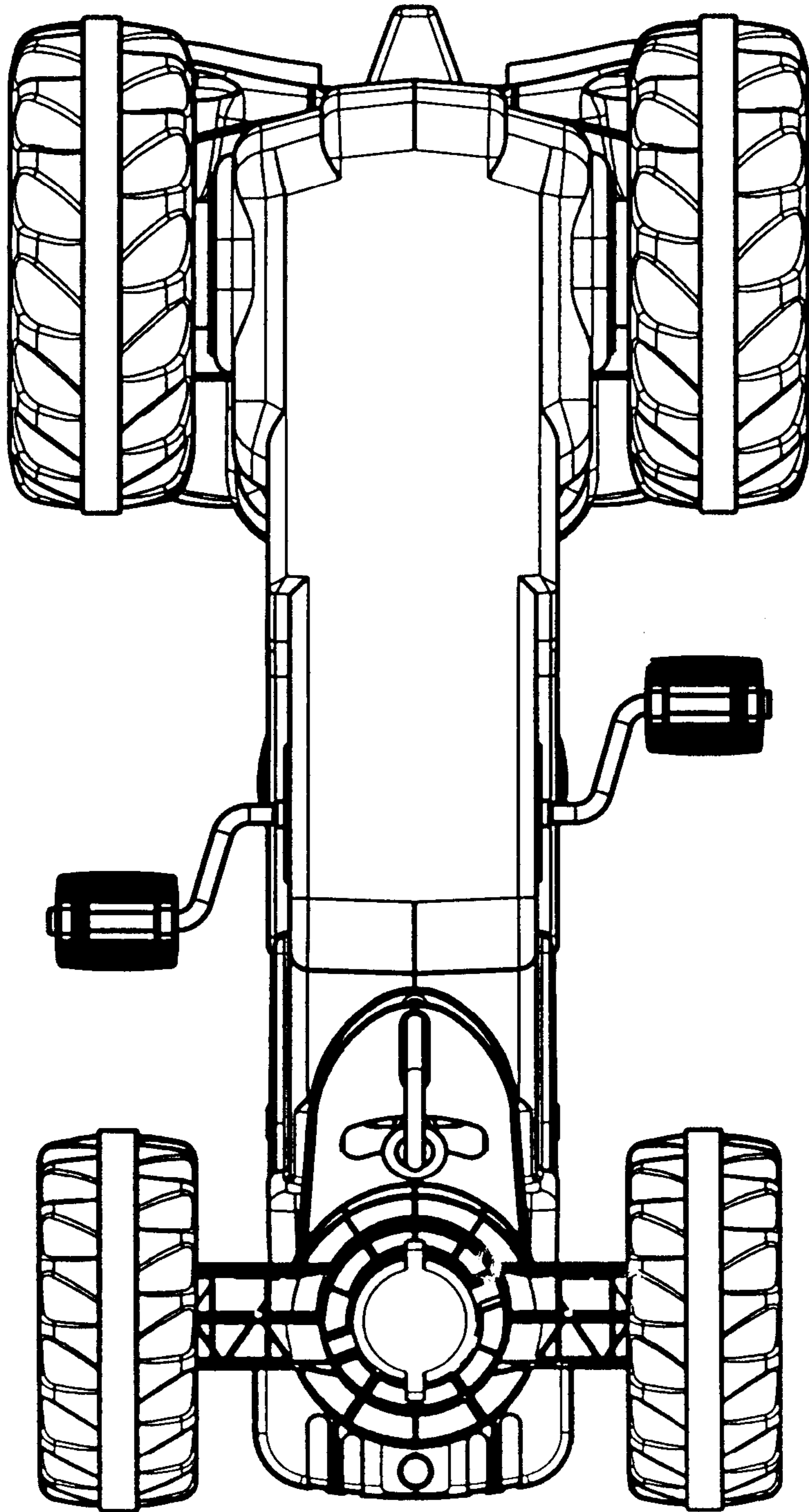


FIG. 6