



US00D484918S

(12) **United States Design Patent**
Okada et al.

(10) **Patent No.:** **US D484,918 S**
(45) **Date of Patent:** **** Jan. 6, 2004**

(54) **HAND-HELD ELECTRONIC GAME MACHINE**

(75) Inventors: **Satoru Okada**, Kyoto (JP); **Kenichi Sugino**, Kyoto (JP); **Masato Ibuki**, Kyoto (JP)

(73) Assignee: **Nintendo Co., Ltd.** (JP)

(**) Term: **14 Years**

(21) Appl. No.: **29/174,992**

(22) Filed: **Jan. 29, 2003**

(30) **Foreign Application Priority Data**

Aug. 1, 2002 (JP) 2002-020657

(51) **LOC (7) Cl.** **21-01**

(52) **U.S. Cl.** **D21/330**

(58) **Field of Search** D21/324, 329, D21/330; D14/496, 125; 273/148 B; 463/1, 2, 29-35, 46, 47; 345/156, 173, 867, 903

(56) **References Cited**

U.S. PATENT DOCUMENTS

D279,971 S	*	8/1985	Wallet	D21/330
4,855,725 A	*	8/1989	Fernandez	345/173
D333,493 S	*	2/1993	Sato	D21/330
5,265,009 A	*	11/1993	Colavita	463/31
D346,408 S	*	4/1994	Lee	D21/330
D347,450 S		5/1994	Nagata et al.		
D375,126 S	*	10/1996	Ikenaga	D21/330
D378,686 S	*	4/1997	Proctor et al.	D21/330
D383,798 S		9/1997	Yokoi et al.		
D414,439 S		9/1999	Sugino		
D416,291 S		11/1999	Sugino		
D452,280 S		12/2001	Ota et al.		
D474,510 S	*	5/2003	Fayram et al.	D21/330

* cited by examiner

Primary Examiner—Prabhakar Deshmukh
(74) *Attorney, Agent, or Firm*—Nixon & Vanderhye P.C.

(57) **CLAIM**

The ornamental design for a hand-held electronic game machine, as shown and described.

DESCRIPTION

FIG. 1 is a top, front and right perspective view of a hand-held electronic game machine showing a first embodiment of our new design, a display portion and an operating portion being opened;

FIG. 2 is a bottom, rear and left perspective view thereof;

FIG. 3 is a top plan view thereof;

FIG. 4 is a front elevational view thereof;

FIG. 5 is a bottom plan view thereof;

FIG. 6 is a rear elevational view thereof;

FIG. 7 is a right side view thereof;

FIG. 8 is a left side view thereof;

FIG. 9 is a top, front and right perspective view thereof, the display portion and the operating portion being folded or closed;

FIG. 10 is a top plan view thereof;

FIG. 11 is a front elevational view thereof;

FIG. 12 is a bottom plan view thereof;

FIG. 13 is a rear elevational view thereof;

FIG. 14 is a right side view thereof;

FIG. 15 is a left side view thereof;

FIG. 16 is a top, front and right perspective view of a hand-held electronic game machine showing a second embodiment of our new design, a display portion and an operating portion being opened;

FIG. 17 is a bottom, rear and left perspective view thereof;

FIG. 18 is a top plan view thereof;

FIG. 19 is a front elevational view thereof;

FIG. 20 is a bottom plan view thereof;

FIG. 21 is a rear elevational view thereof;

FIG. 22 is a right side view thereof;

FIG. 23 is a left side view thereof;

FIG. 24 is a top, front and right perspective view thereof, the display portion and the operating portion being folded or closed;

FIG. 25 is a top plan view thereof;

FIG. 26 is a front elevational view thereof;

FIG. 27 is a bottom plan view thereof;

FIG. 28 is a rear elevational view thereof;

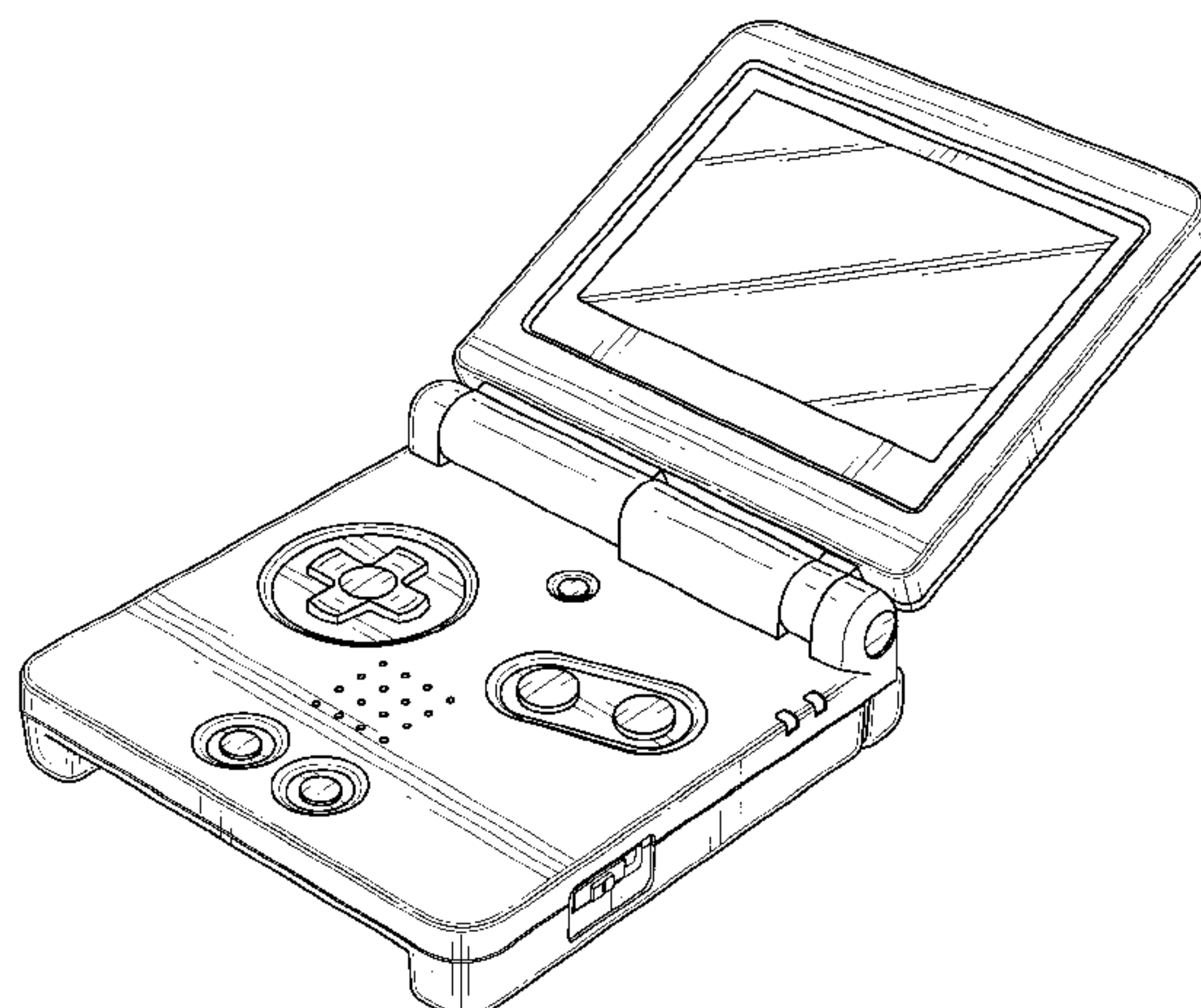


FIG. 29 is a right side view thereof;

FIG. 30 is a left side view thereof;

FIG. 31 is a top, front and right perspective view of a hand-held electronic game machine showing a third embodiment of our new design, a display portion and an operating portion being opened;

FIG. 32 is a bottom, rear and left perspective view thereof;

FIG. 33 is a top plan view thereof;

FIG. 34 is a front elevational view thereof;

FIG. 35 is a bottom plan view thereof;

FIG. 36 is a rear elevational view thereof;

FIG. 37 is a right side view thereof;

FIG. 38 is a left side view thereof;

FIG. 39 is a top, front and right perspective view thereof, the display portion and the operating portion being folded or closed;

FIG. 40 is a top plan view thereof;

FIG. 41 is a front elevational view thereof;

FIG. 42 is a bottom plan view thereof;

FIG. 43 is a rear elevational view thereof;

FIG. 44 is a right side view thereof; and,

FIG. 45 is a left side view thereof.

1 Claim, 21 Drawing Sheets

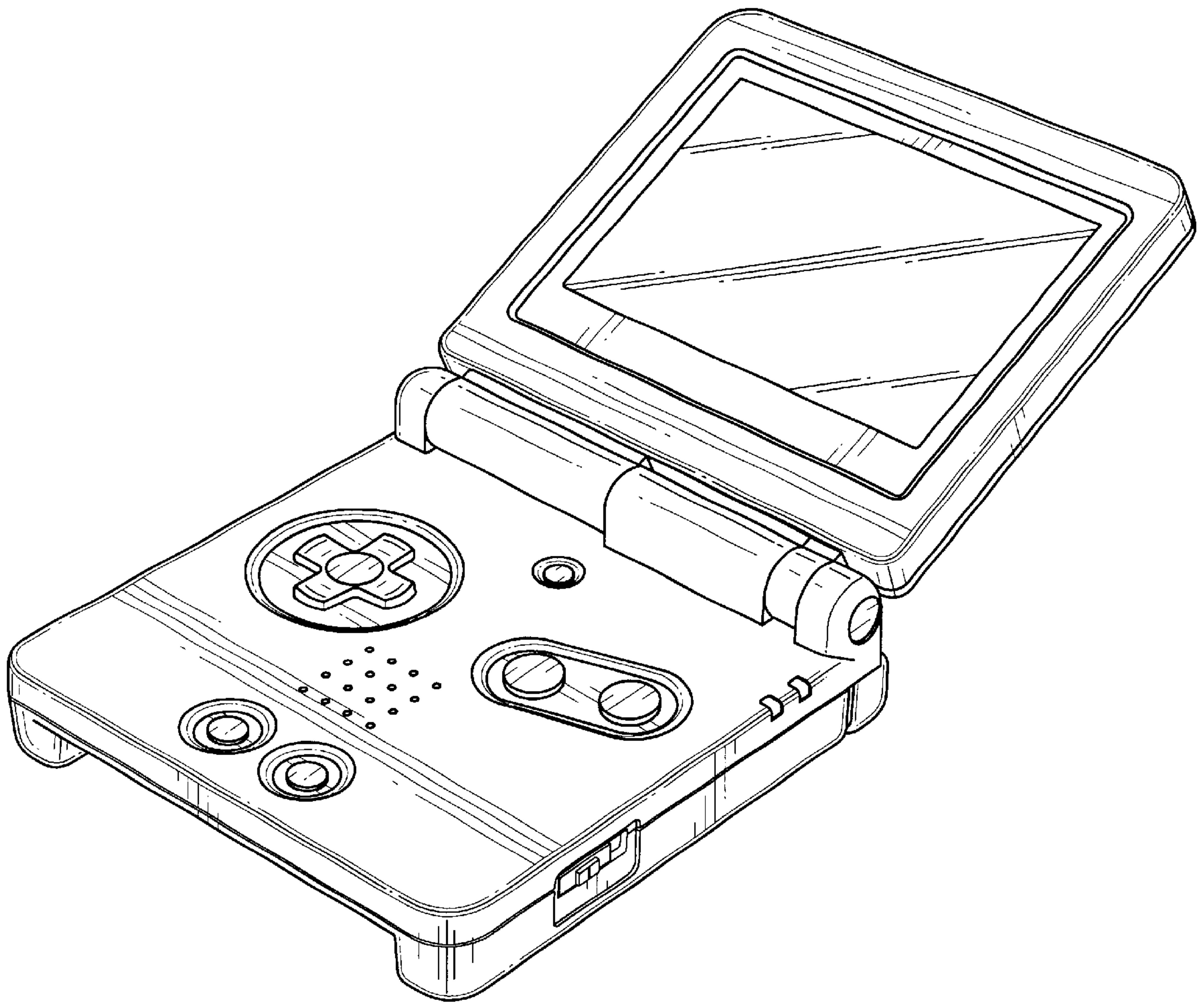


Fig. 1

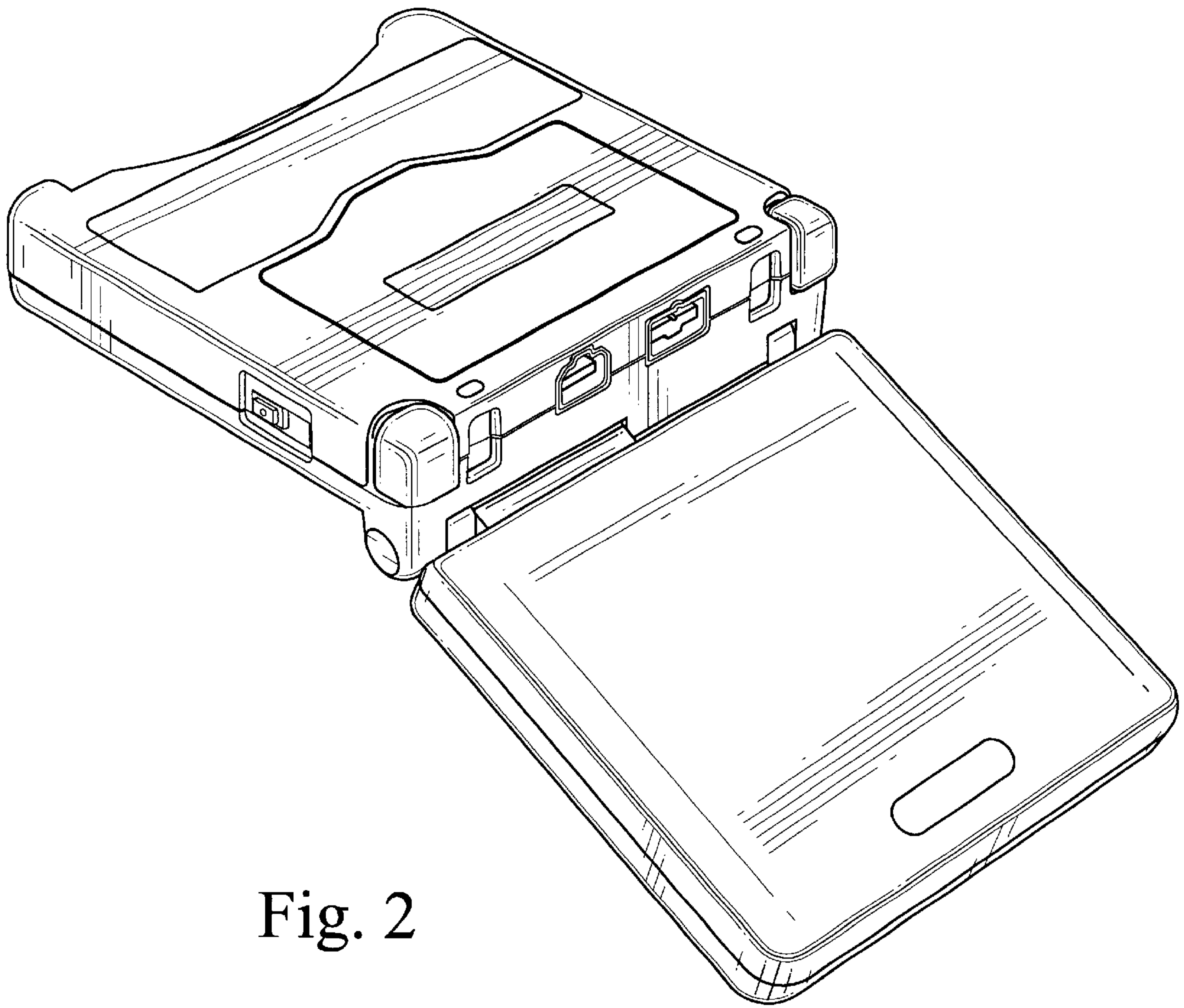


Fig. 2

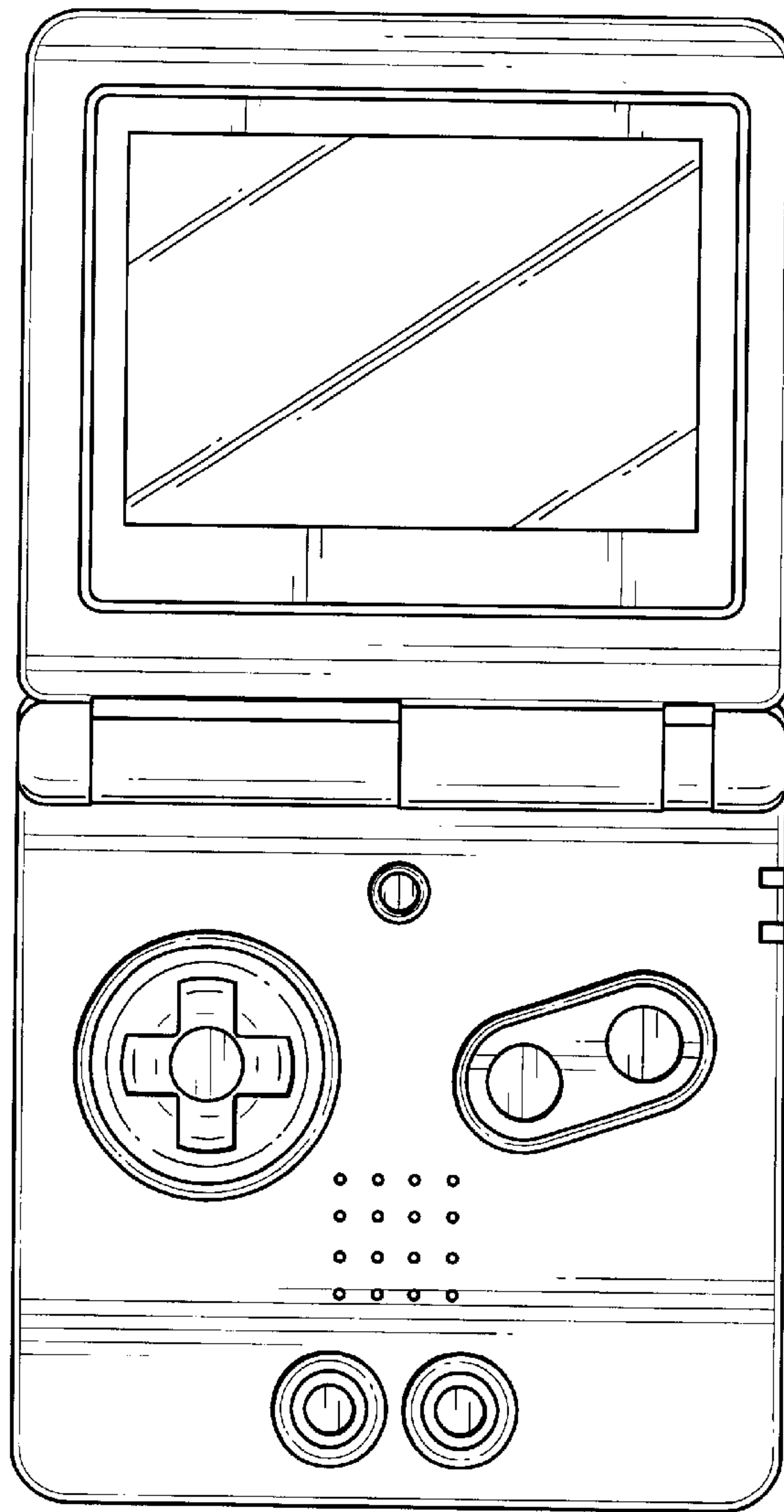


Fig. 3

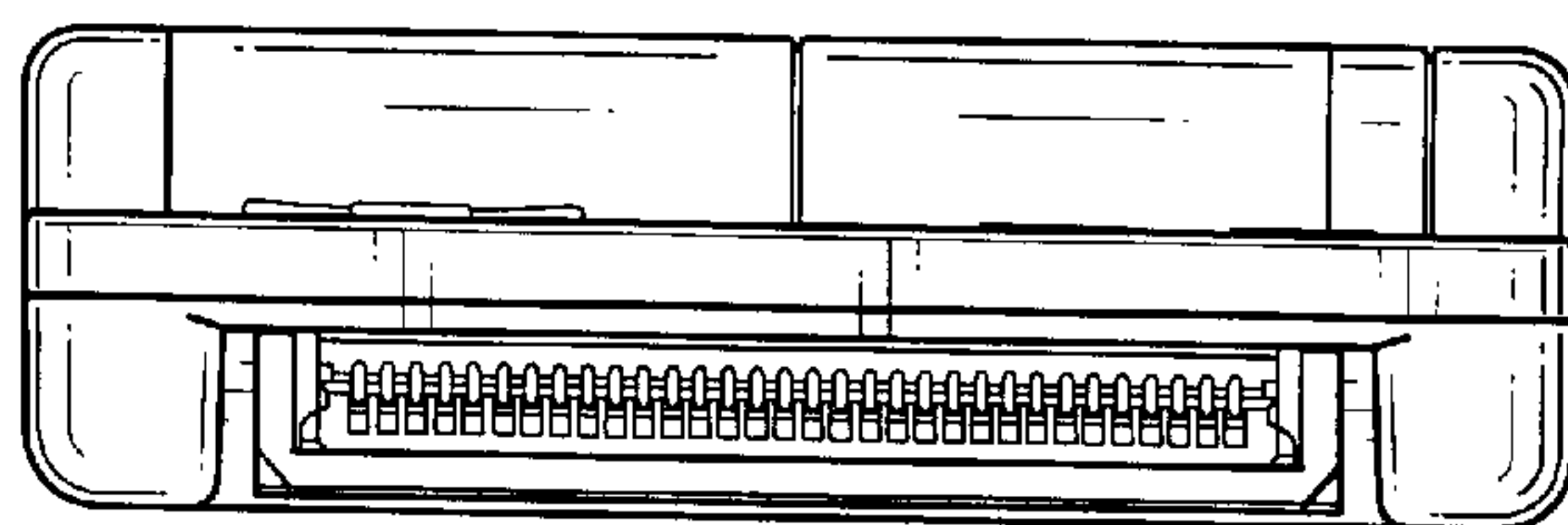


Fig. 4

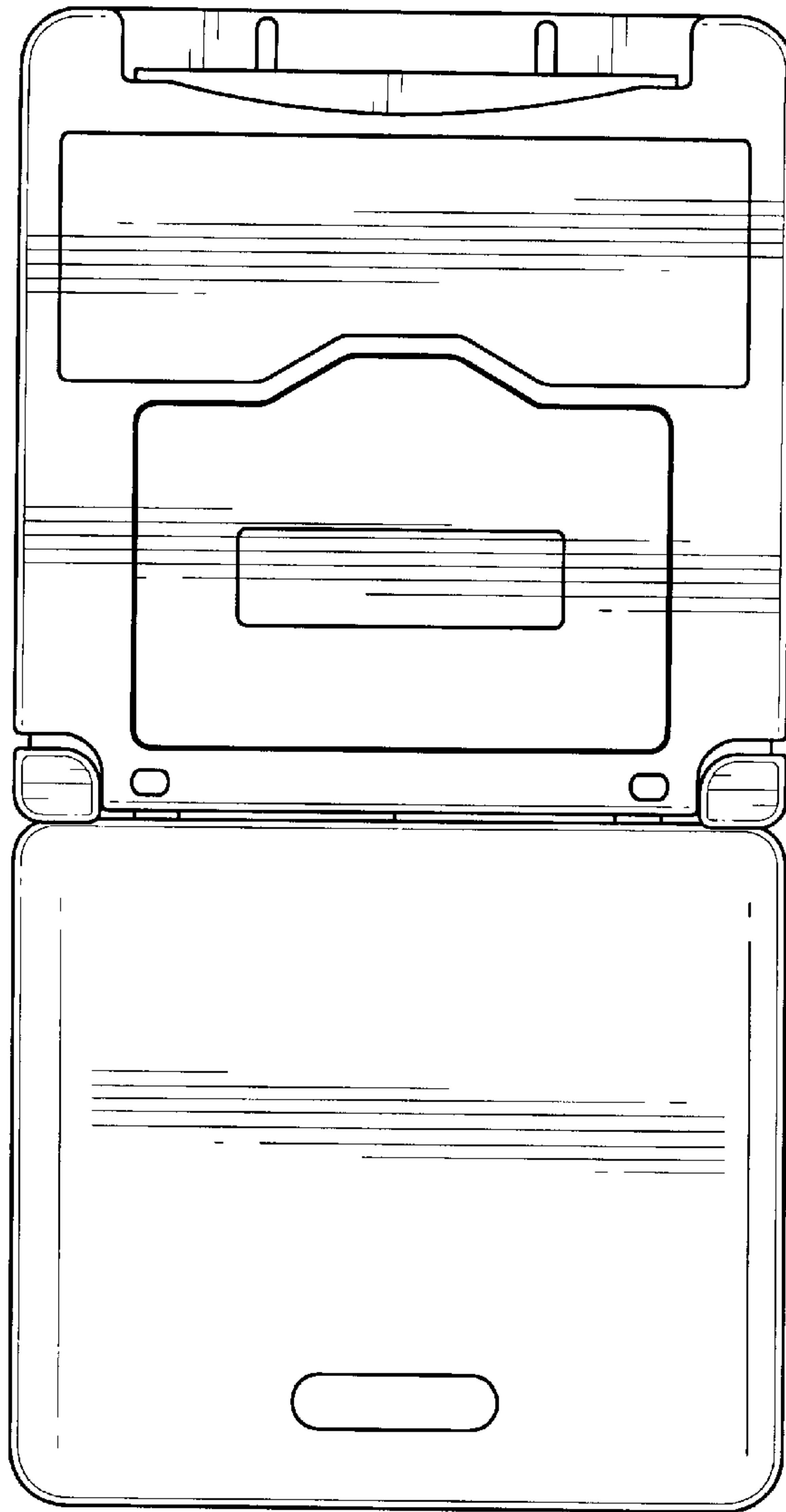


Fig. 5

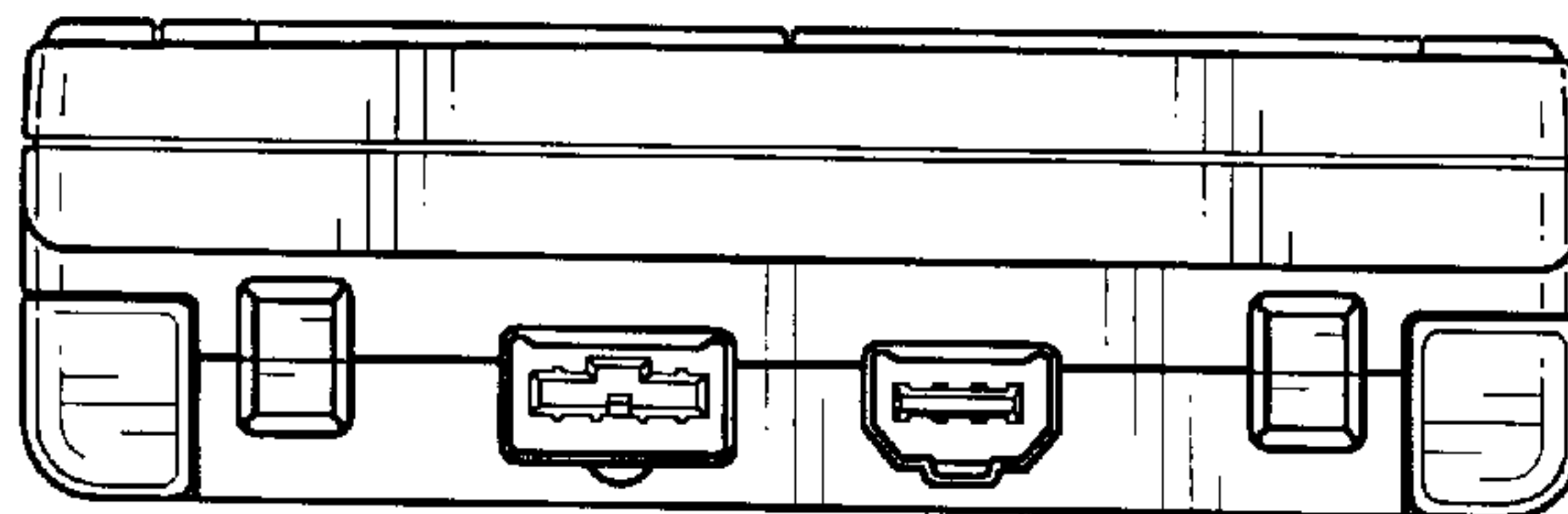


Fig. 6

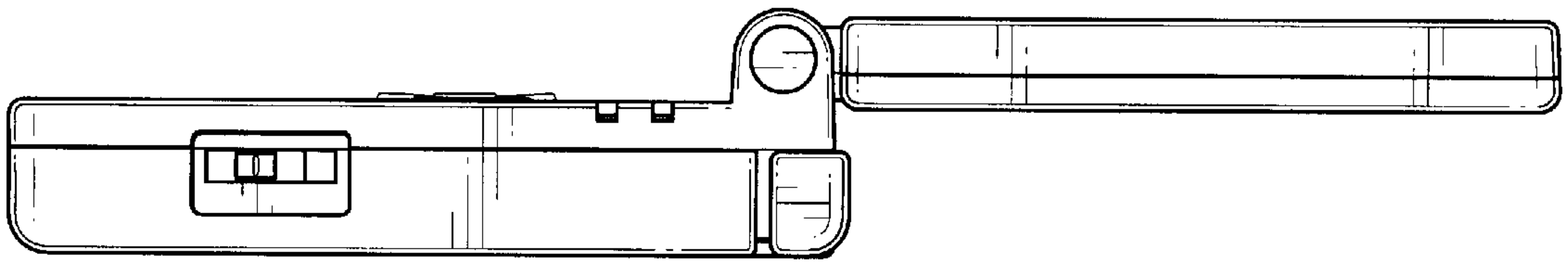


Fig. 7

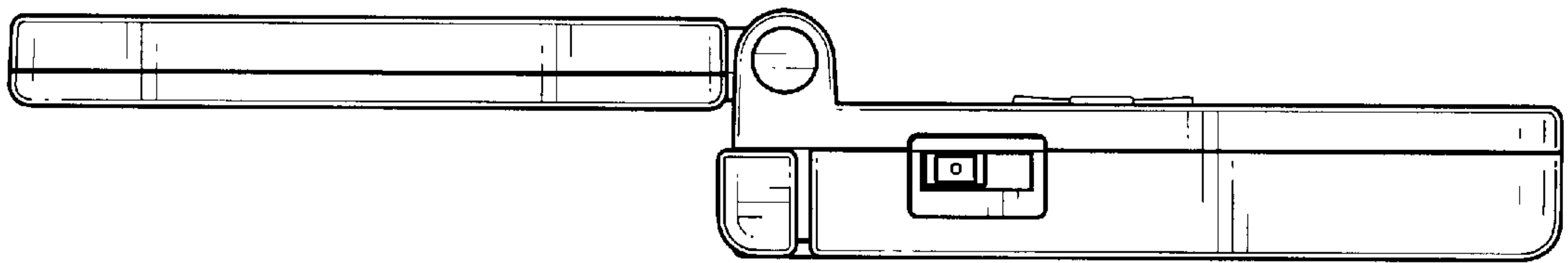


Fig. 8

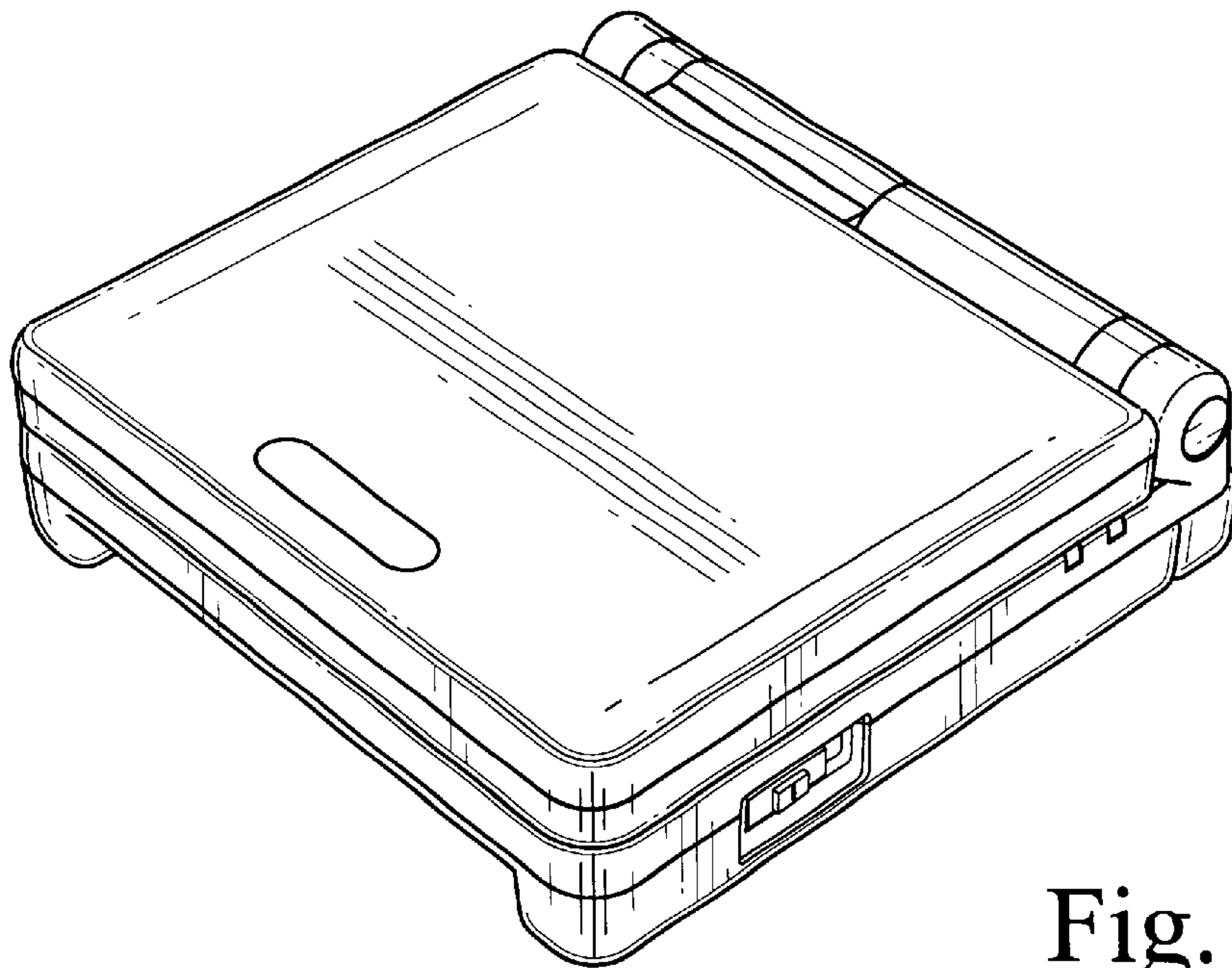


Fig. 9

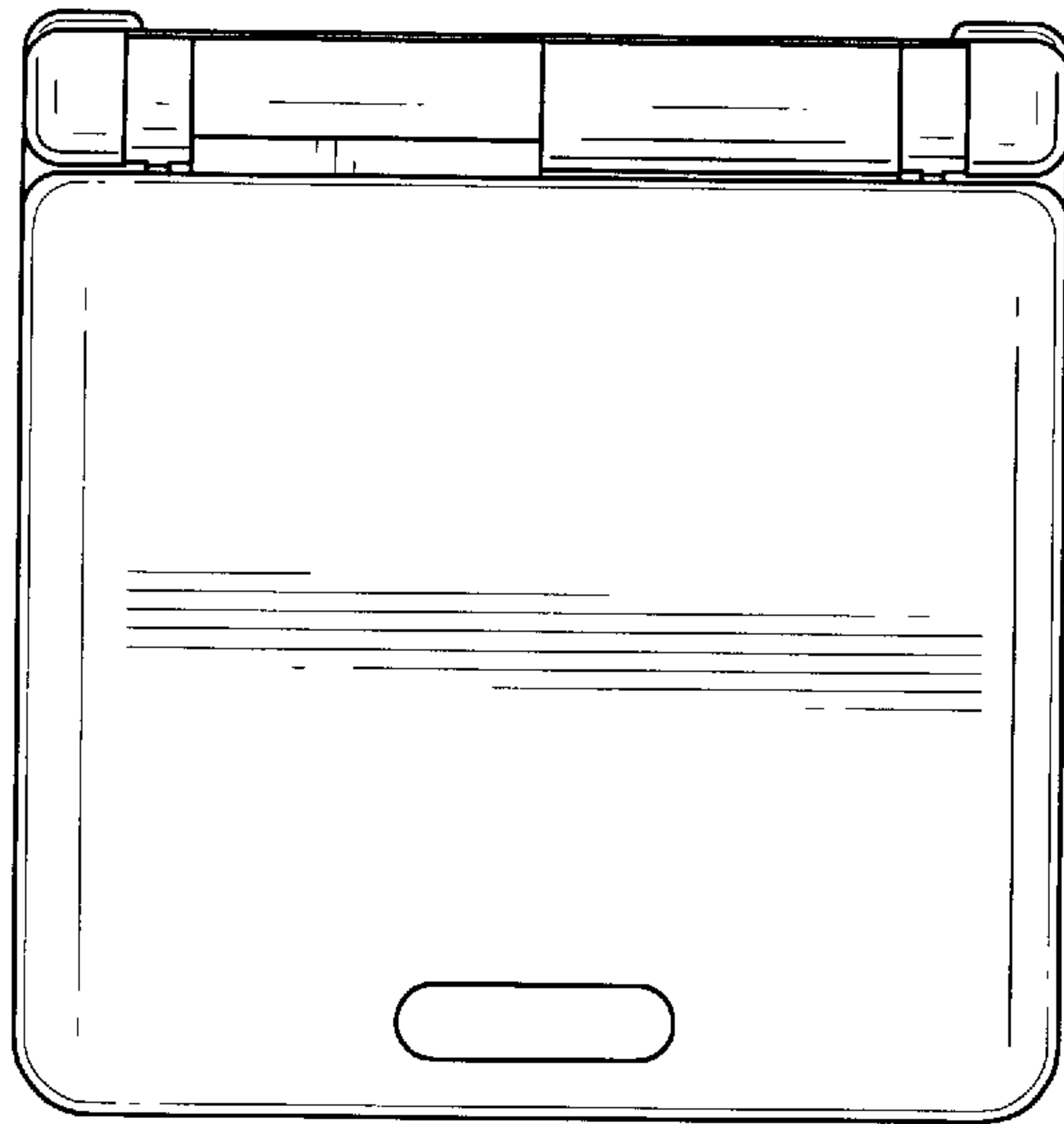


Fig. 10

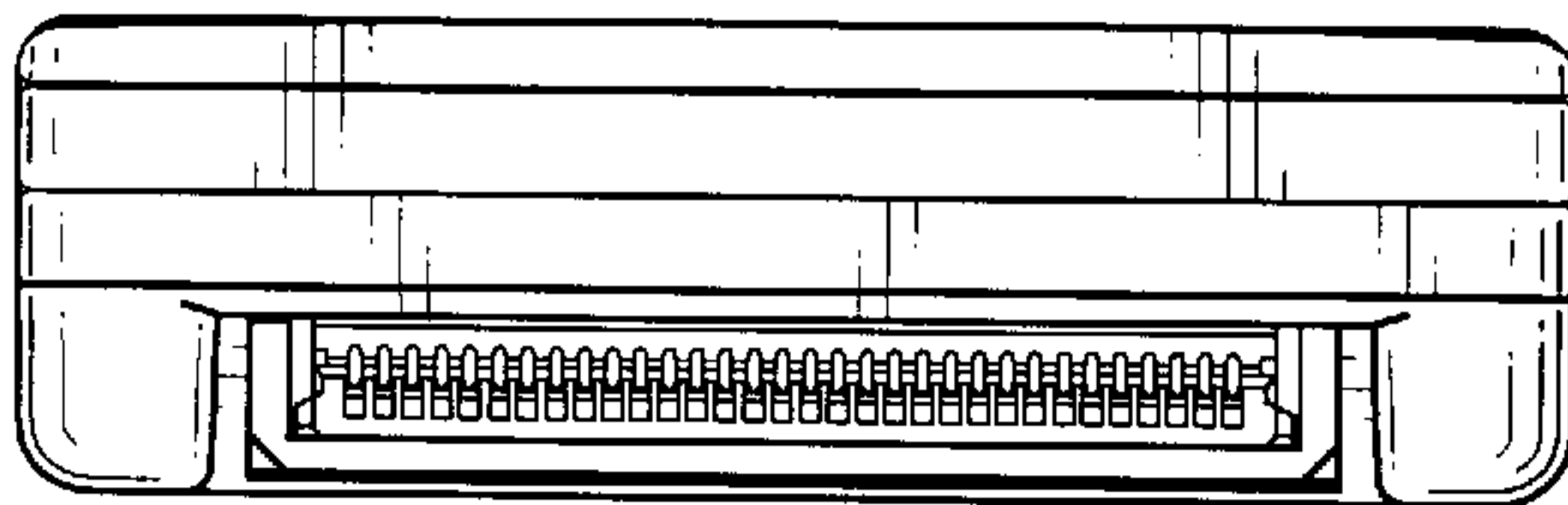


Fig. 11

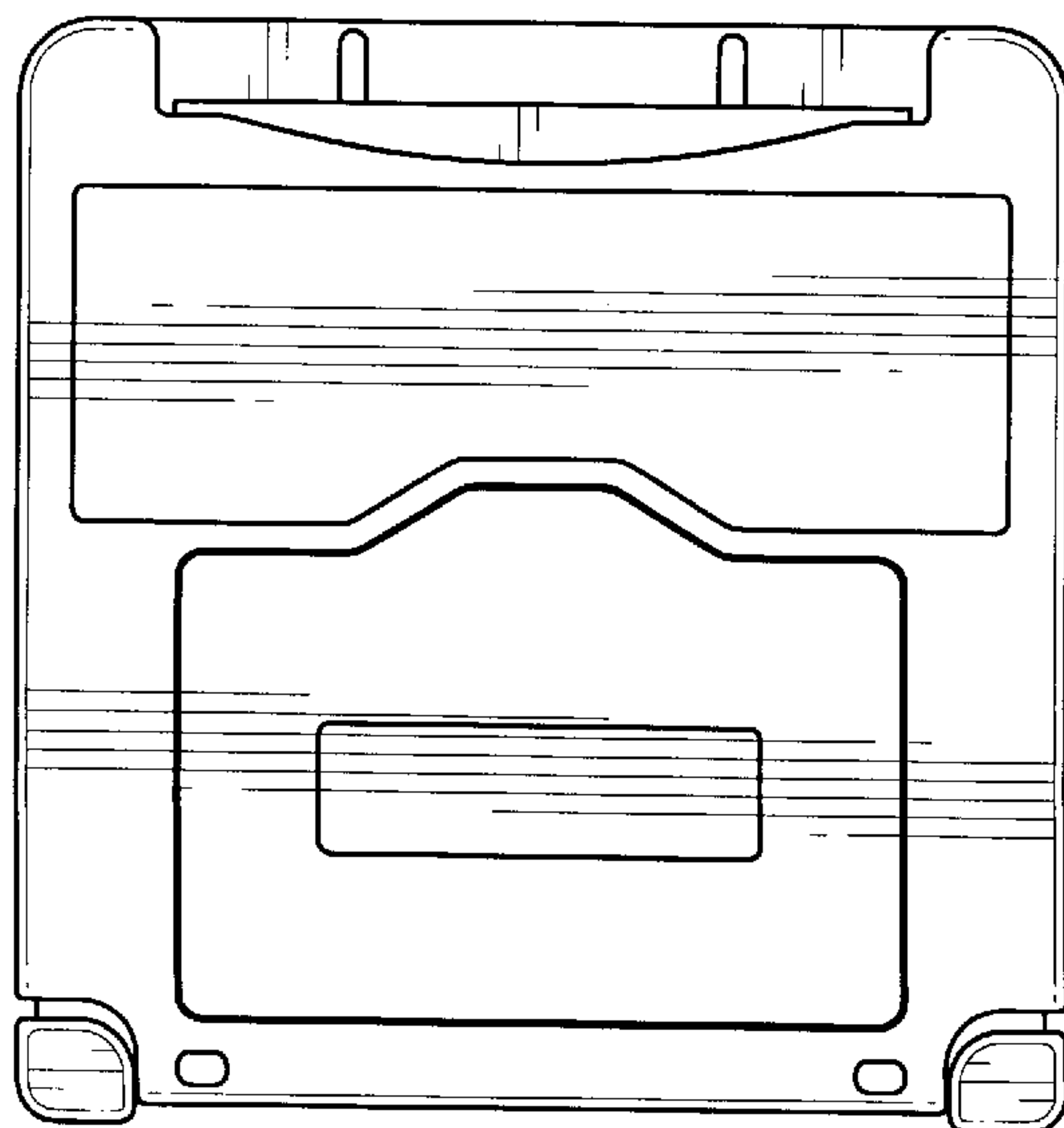


Fig. 12

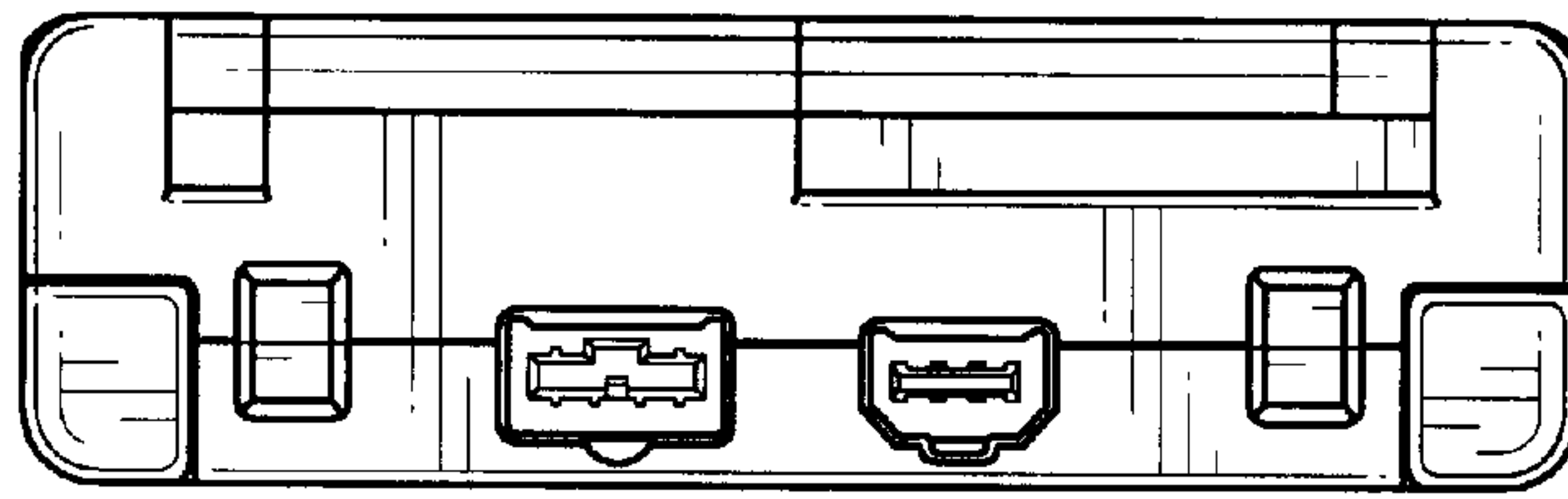


Fig. 13

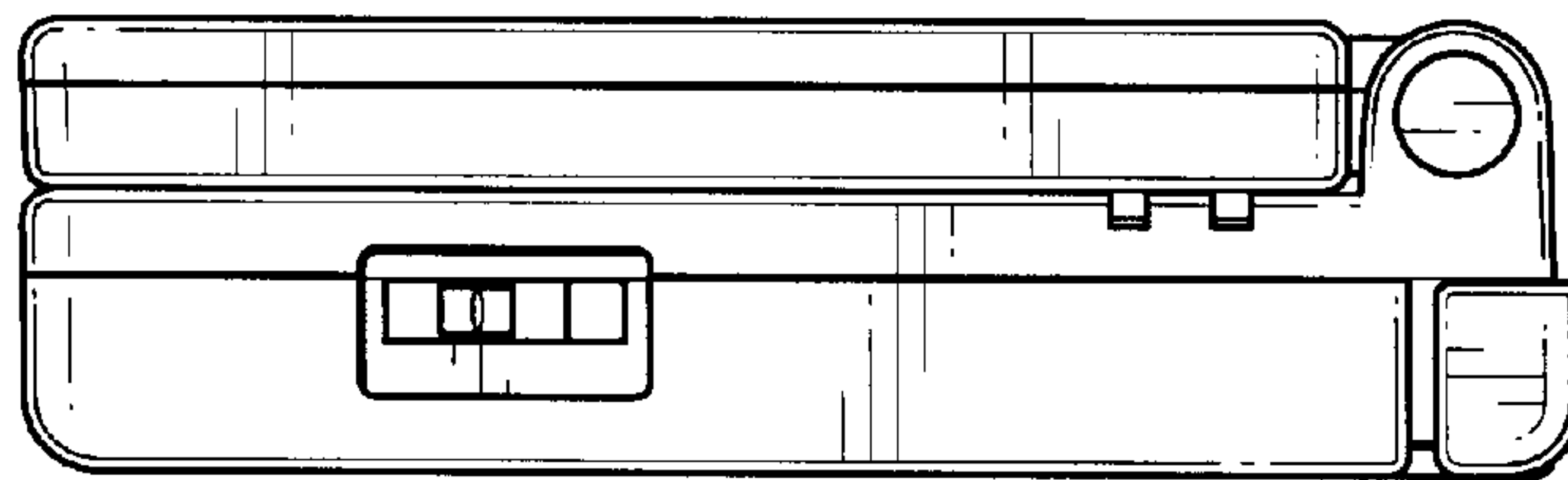


Fig. 14

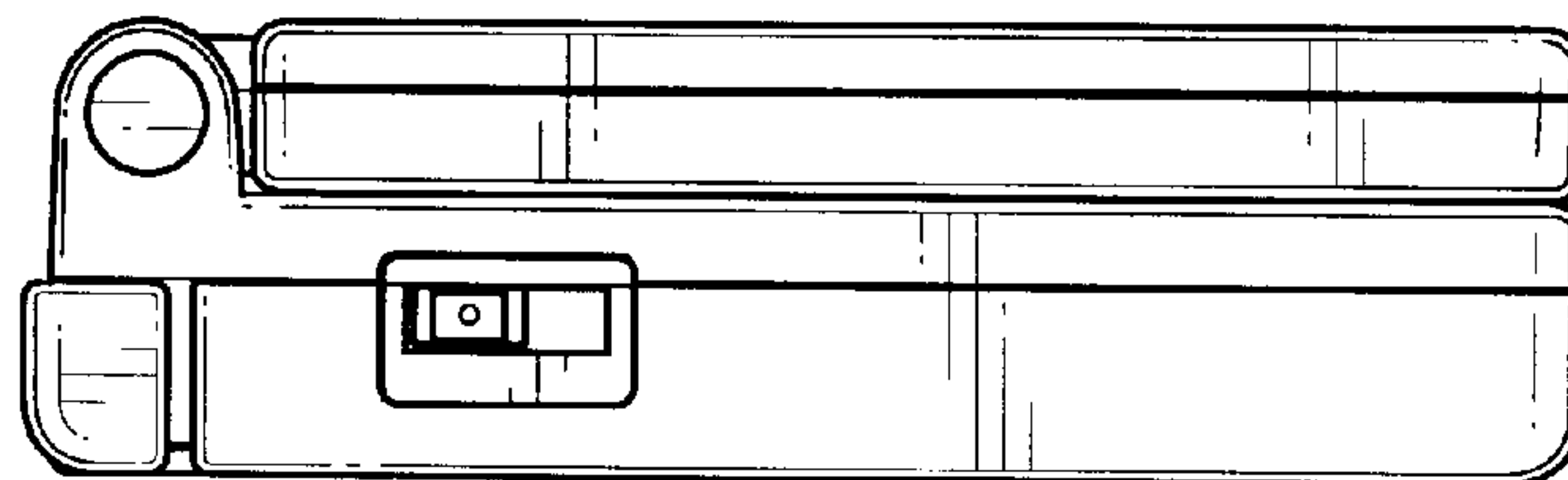


Fig. 15

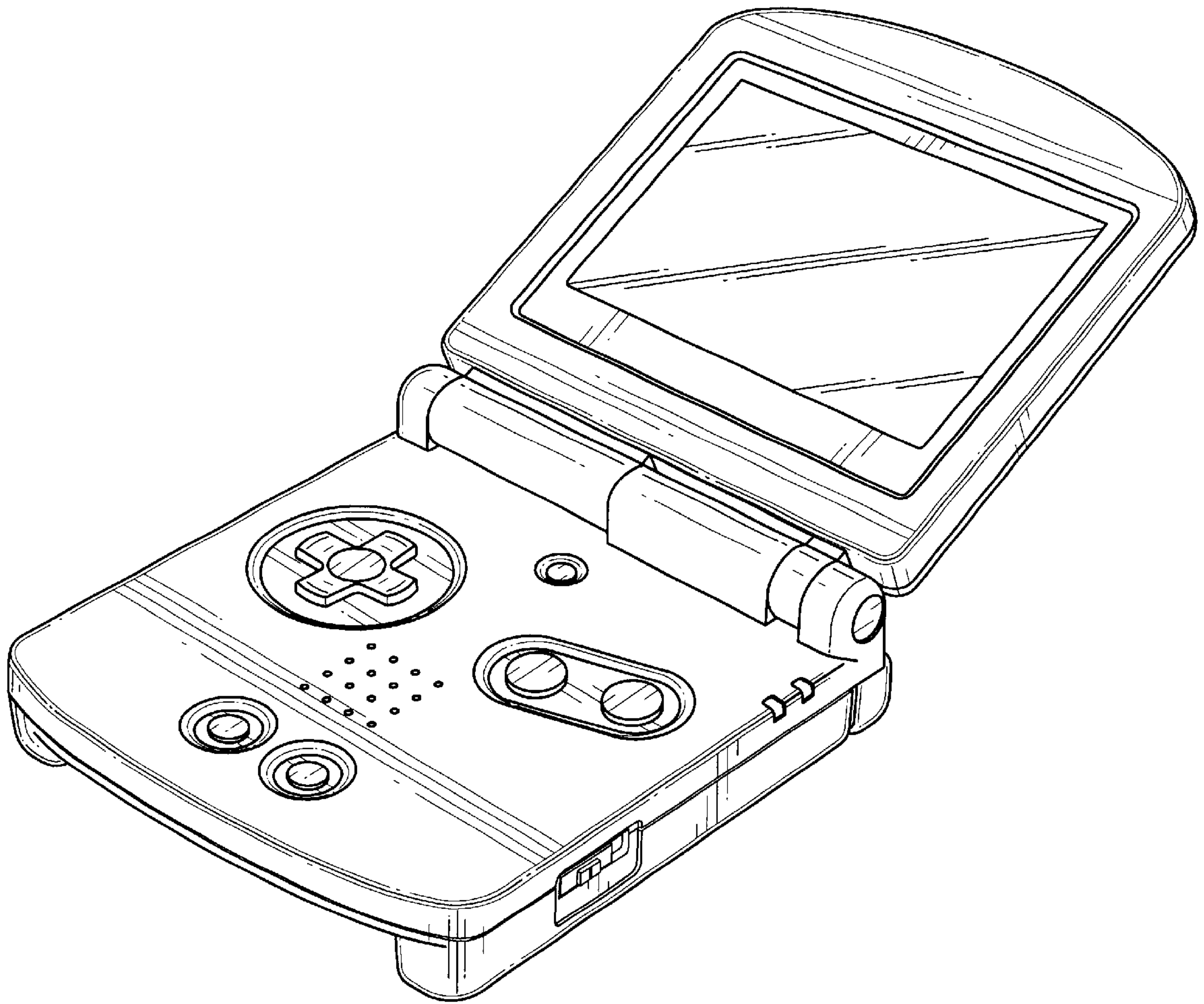


Fig. 16

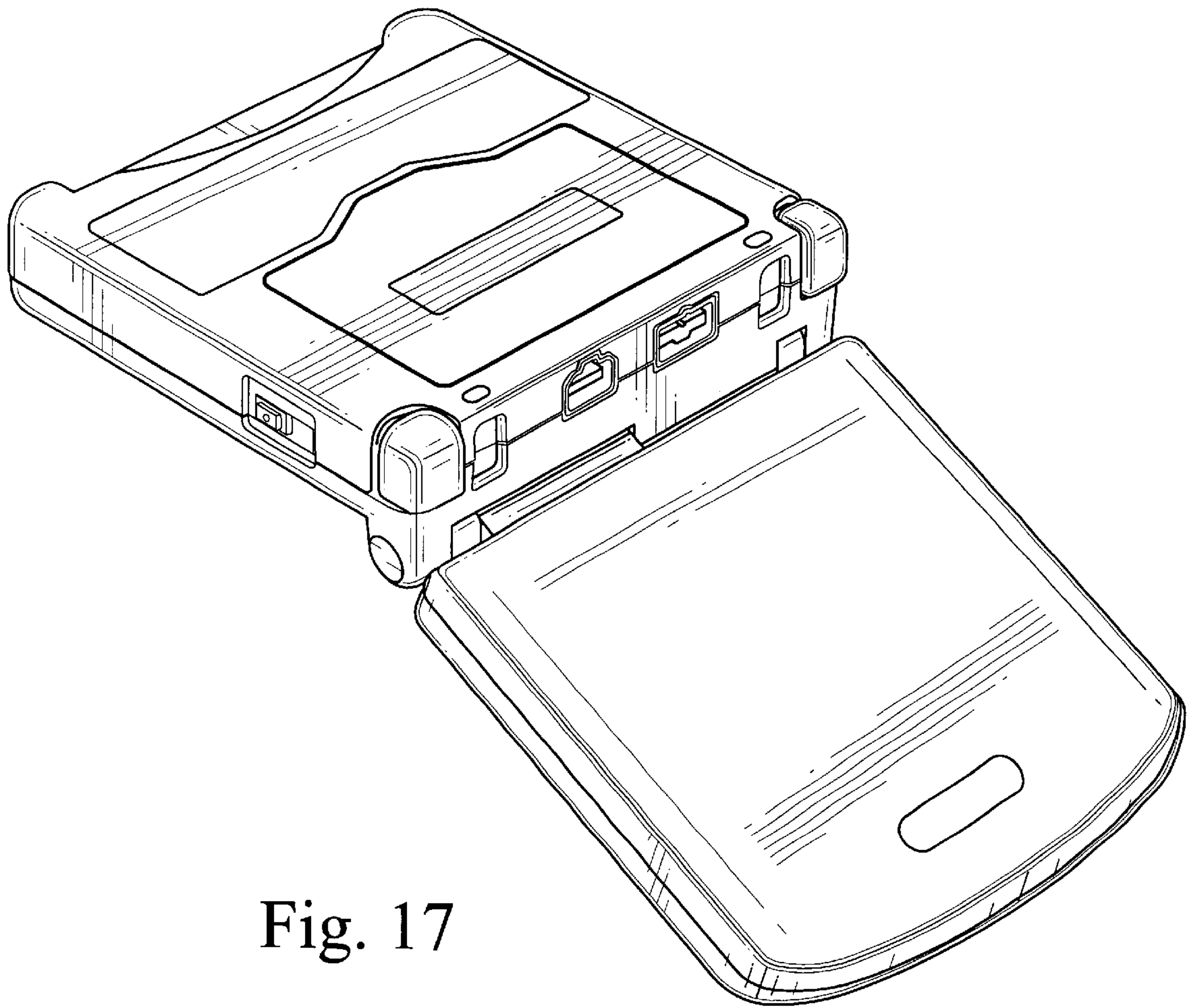


Fig. 17

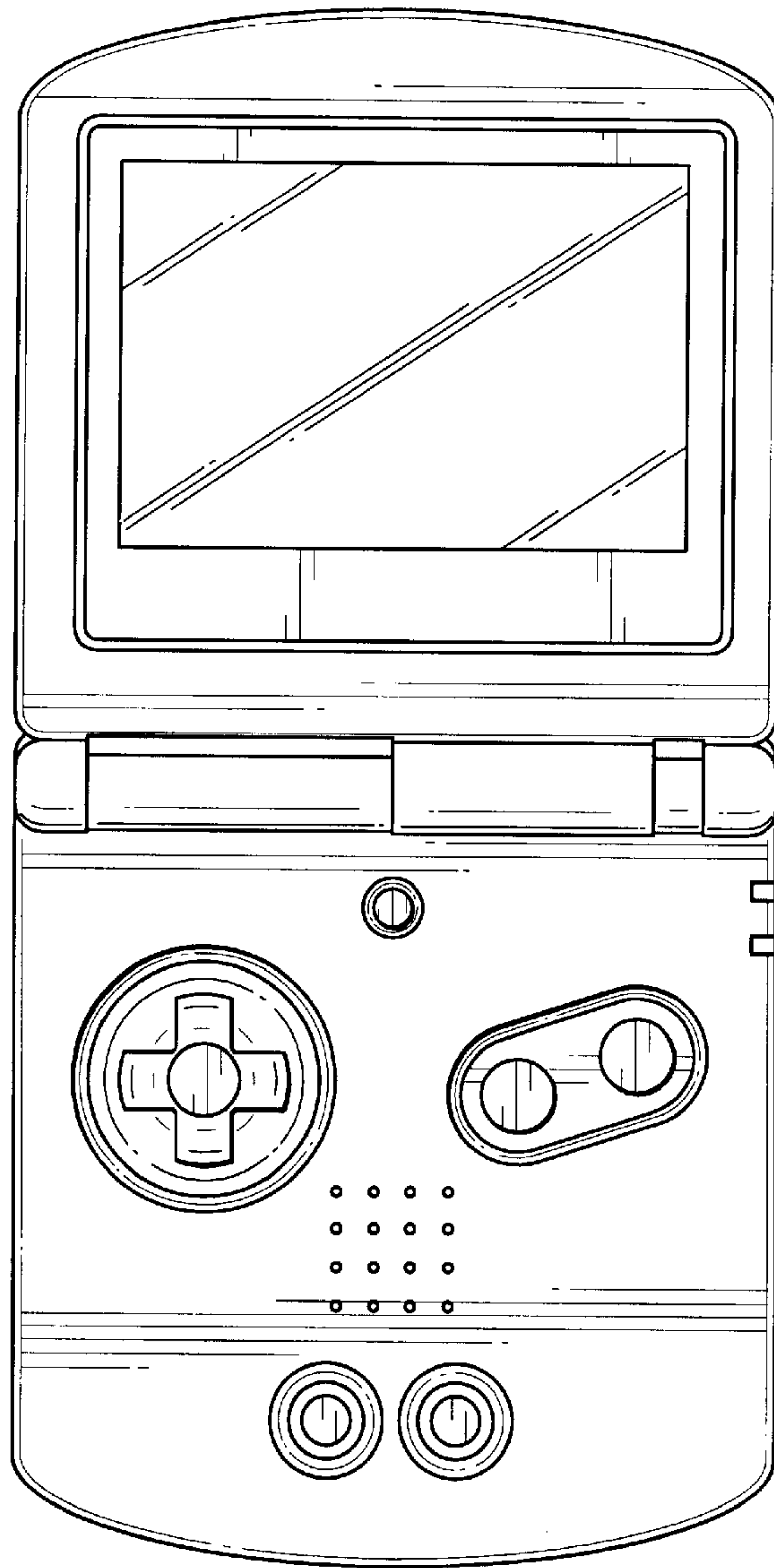


Fig. 18

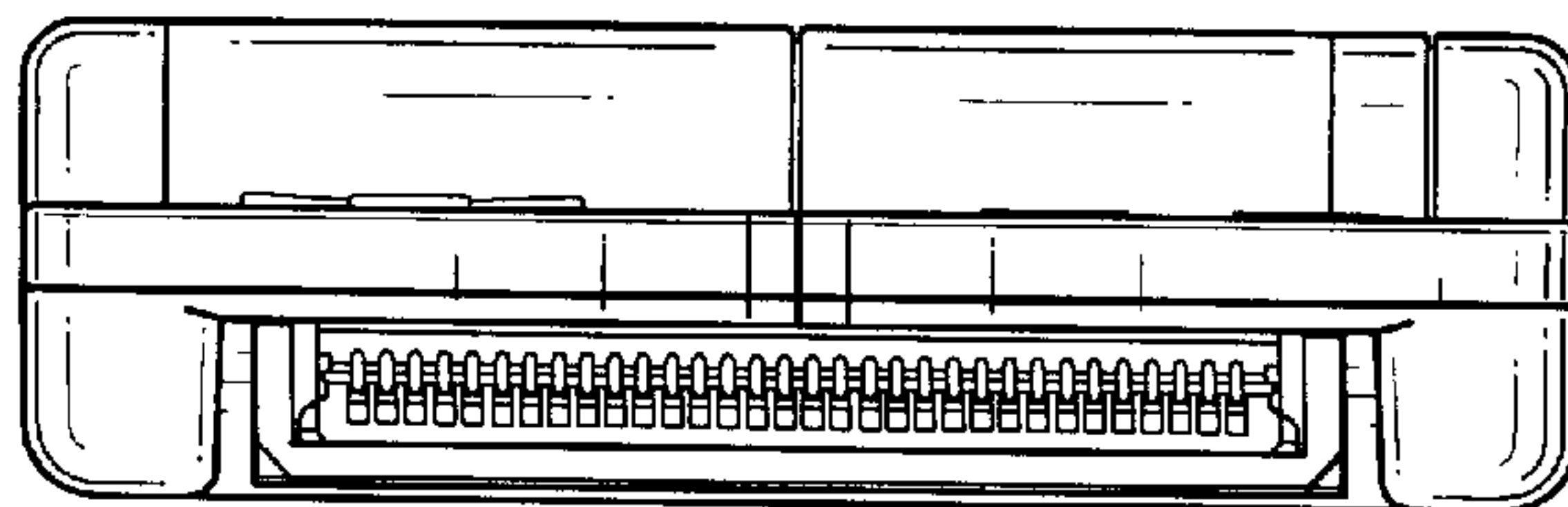


Fig. 19

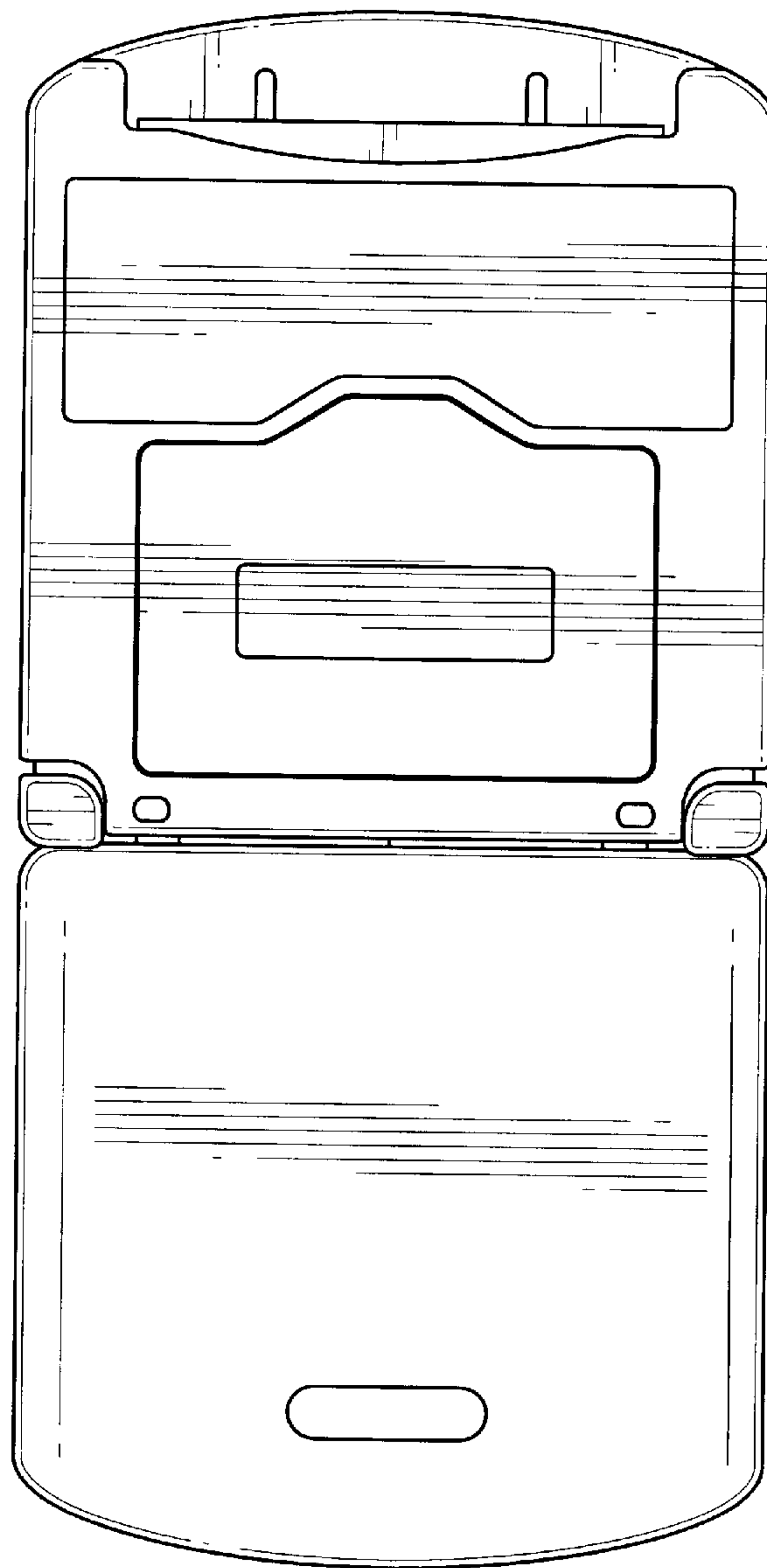


Fig. 20

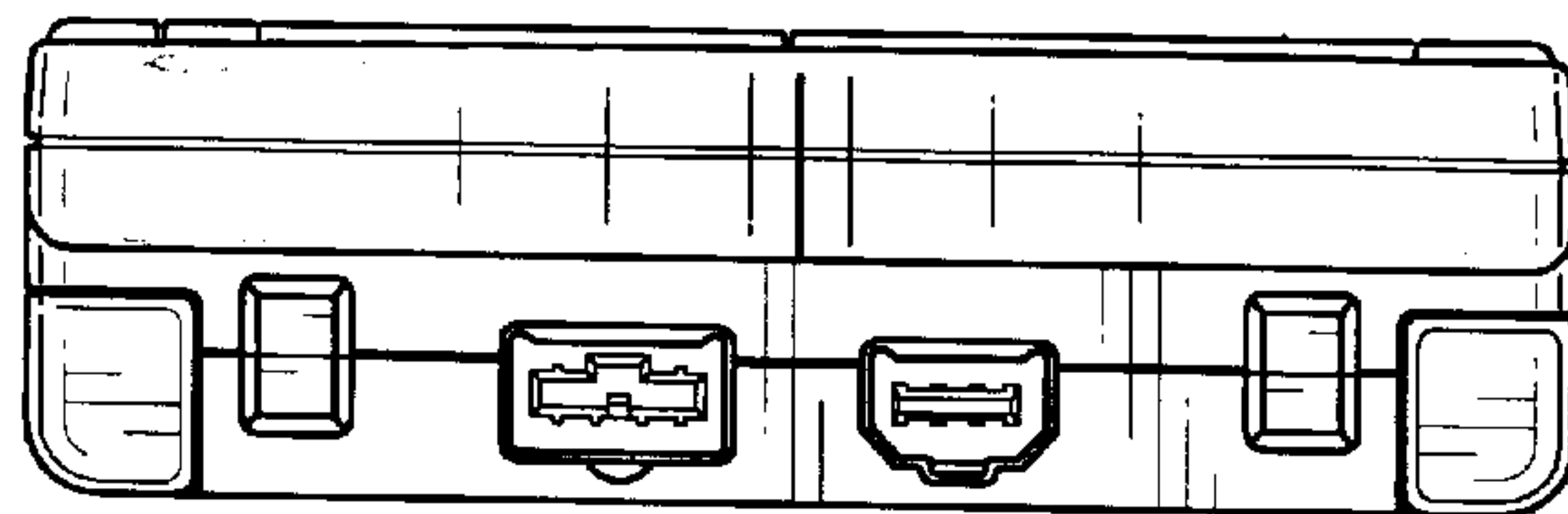


Fig. 21

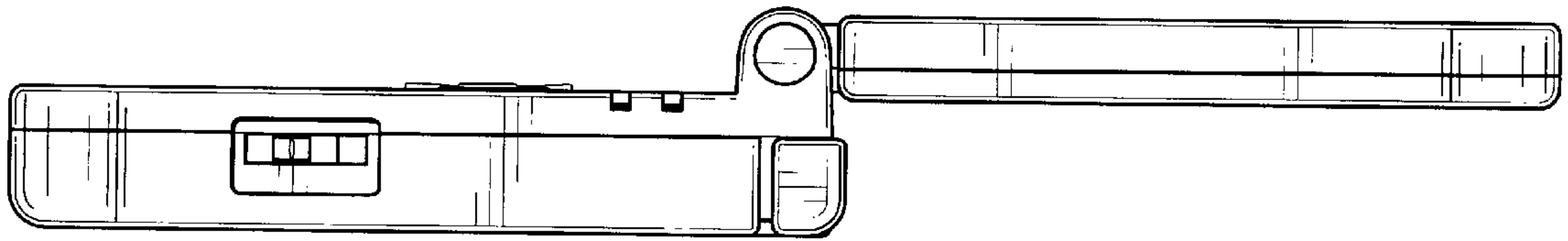


Fig. 22

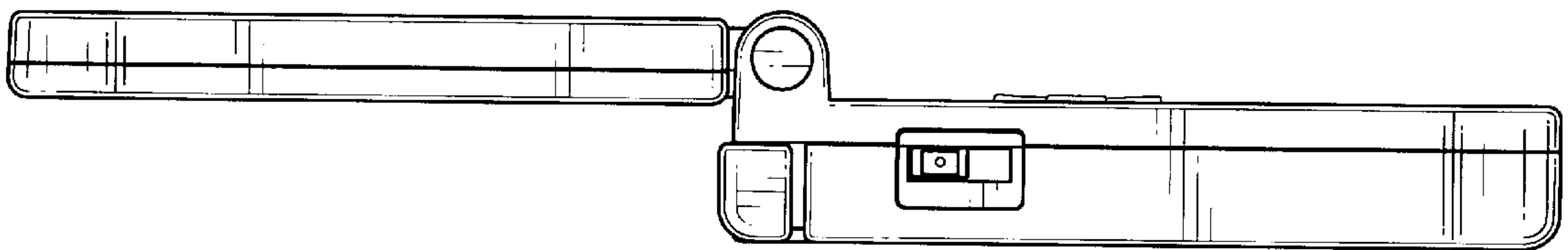


Fig. 23

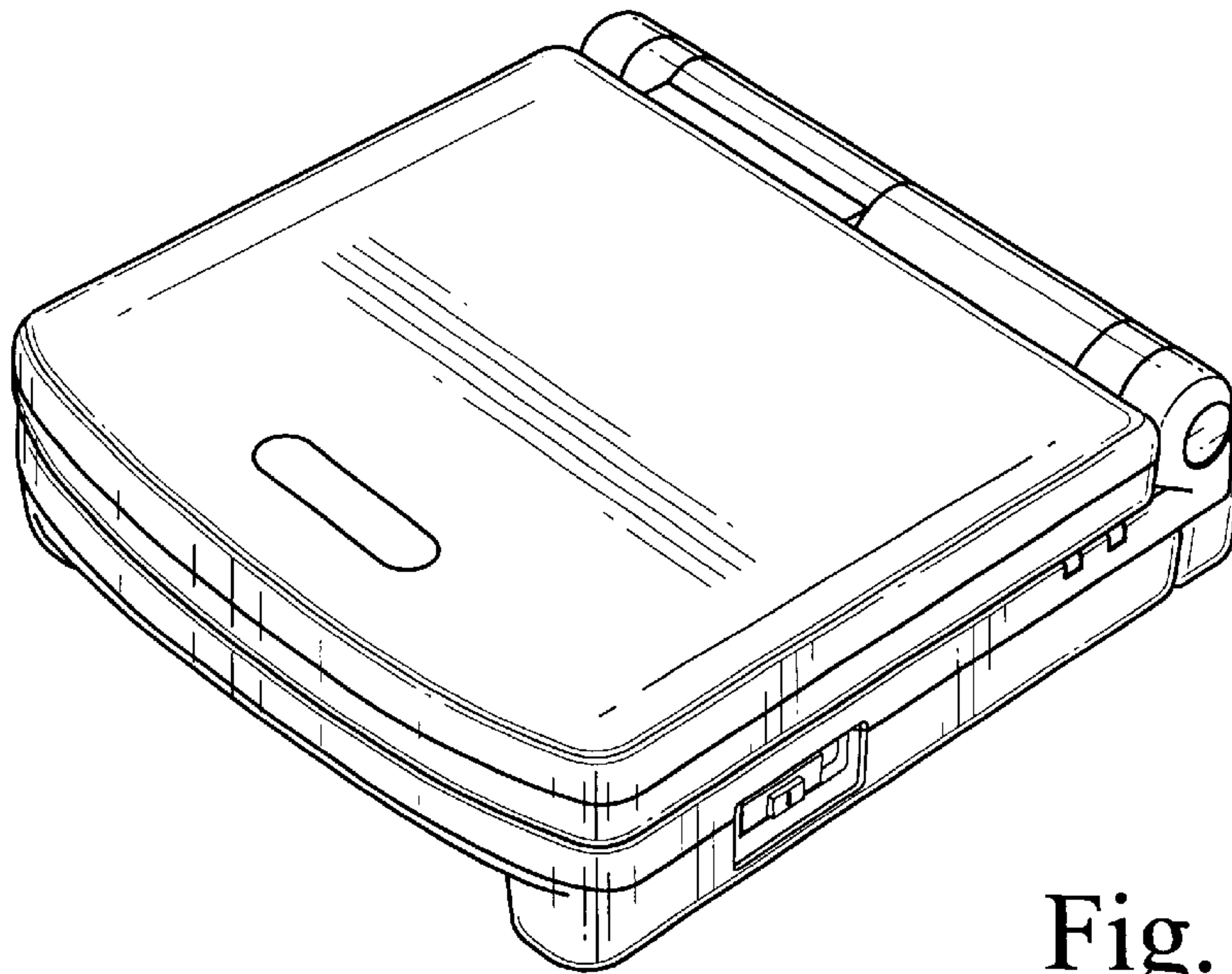


Fig. 24

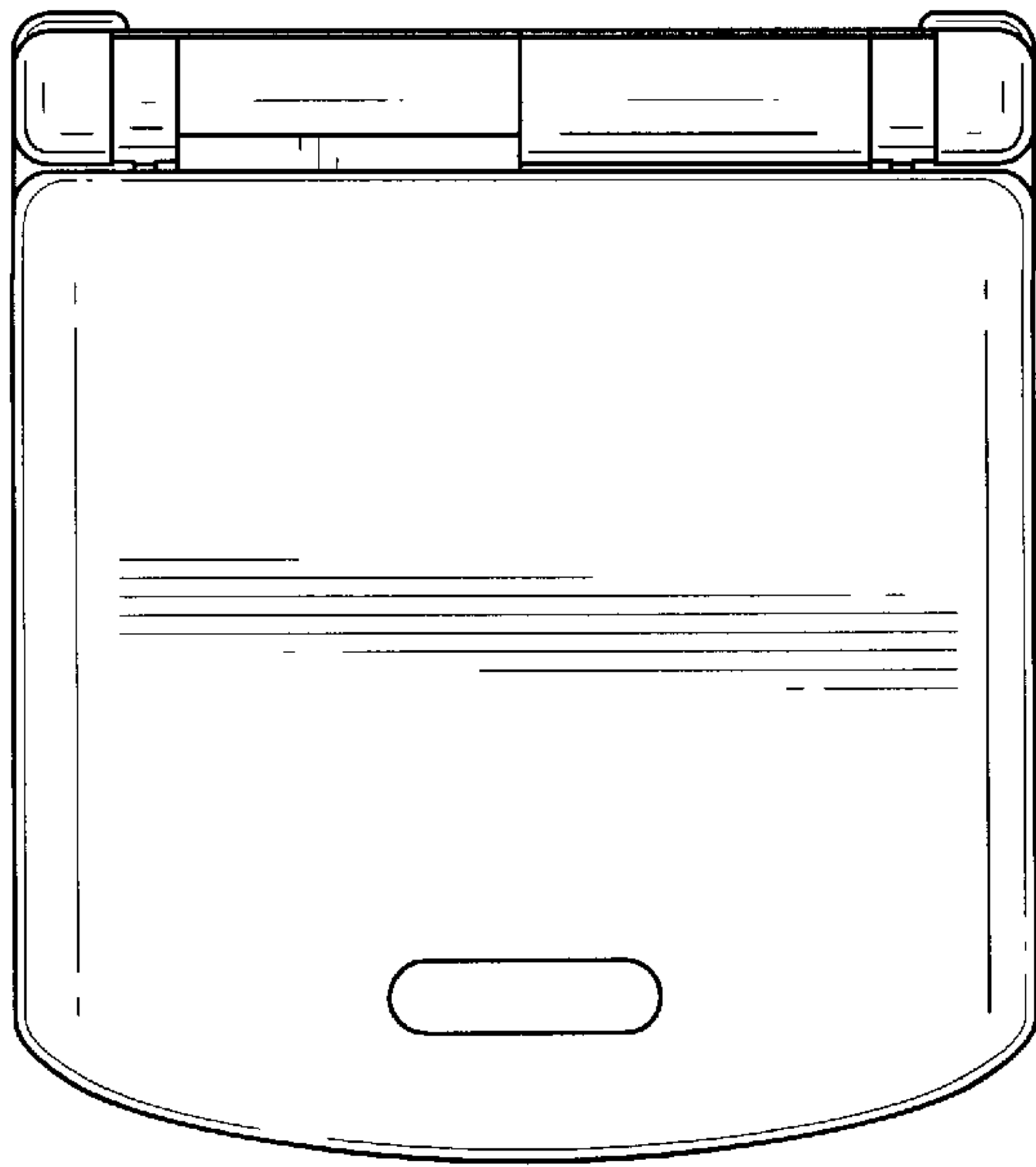


Fig. 25

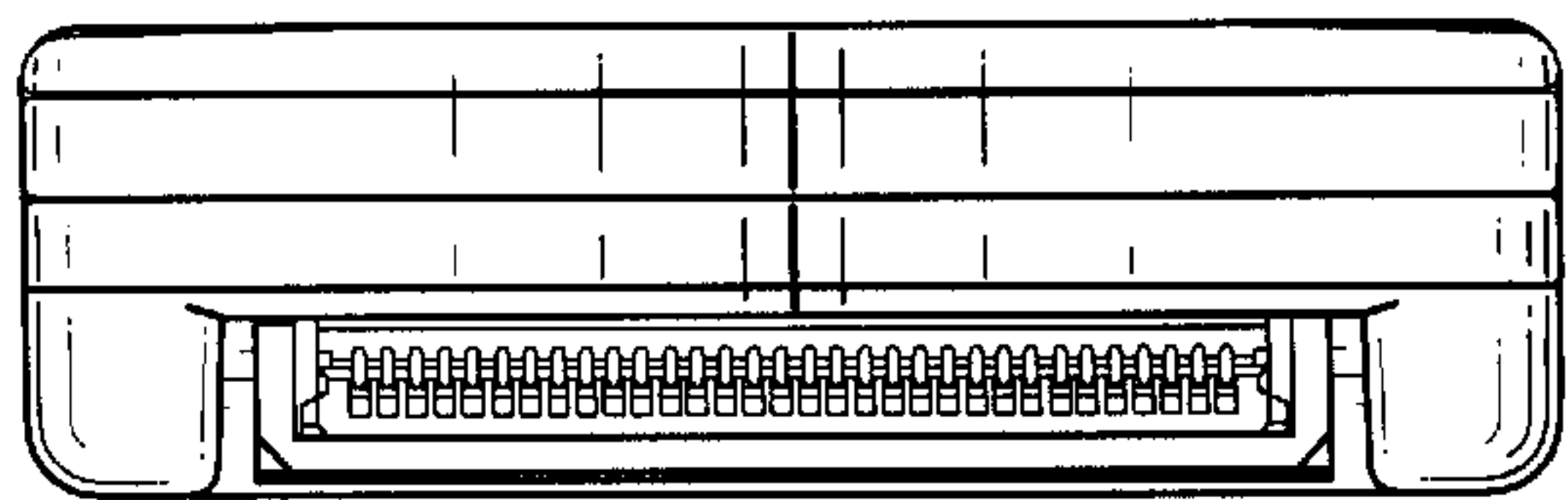


Fig. 26

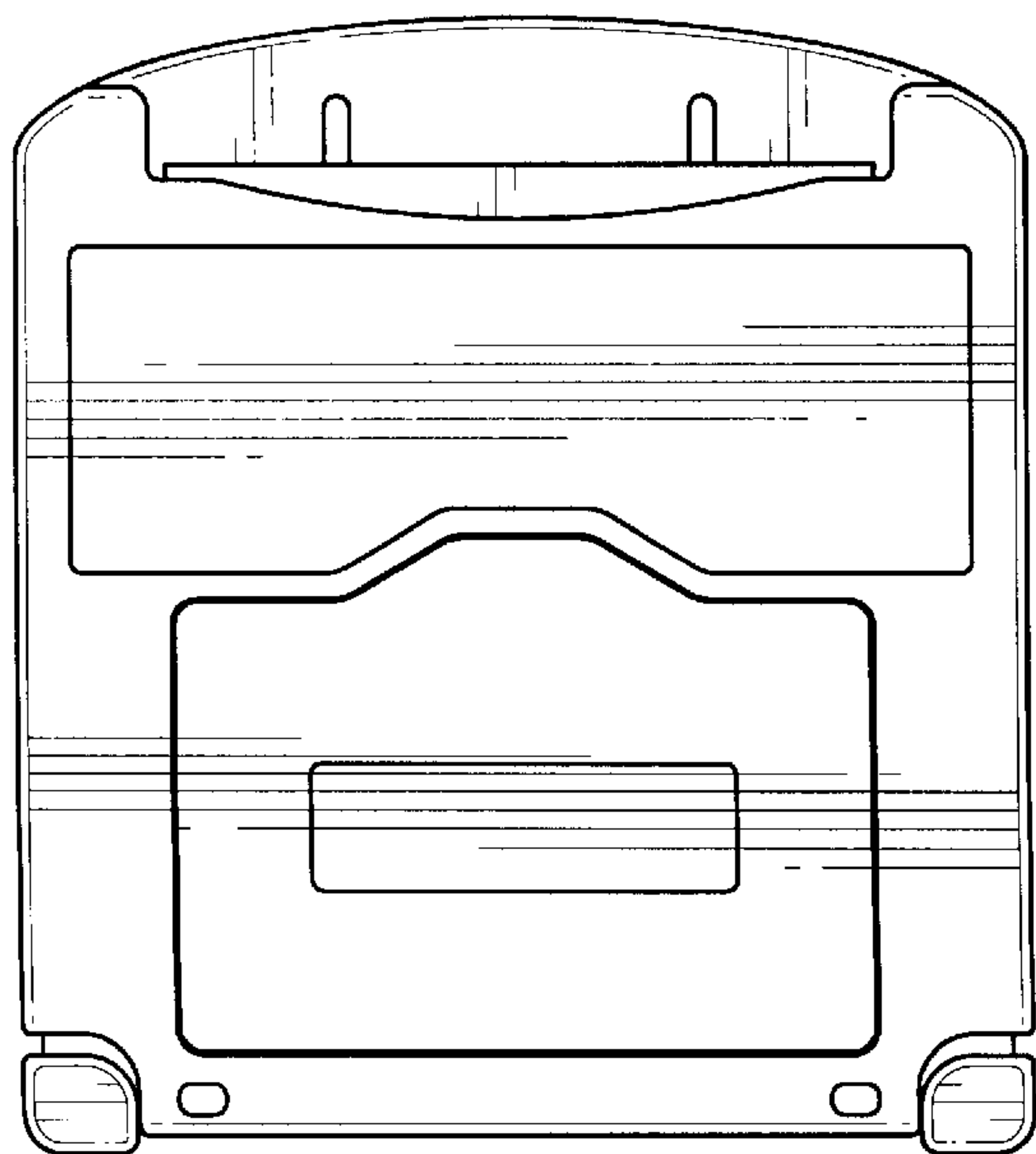


Fig. 27

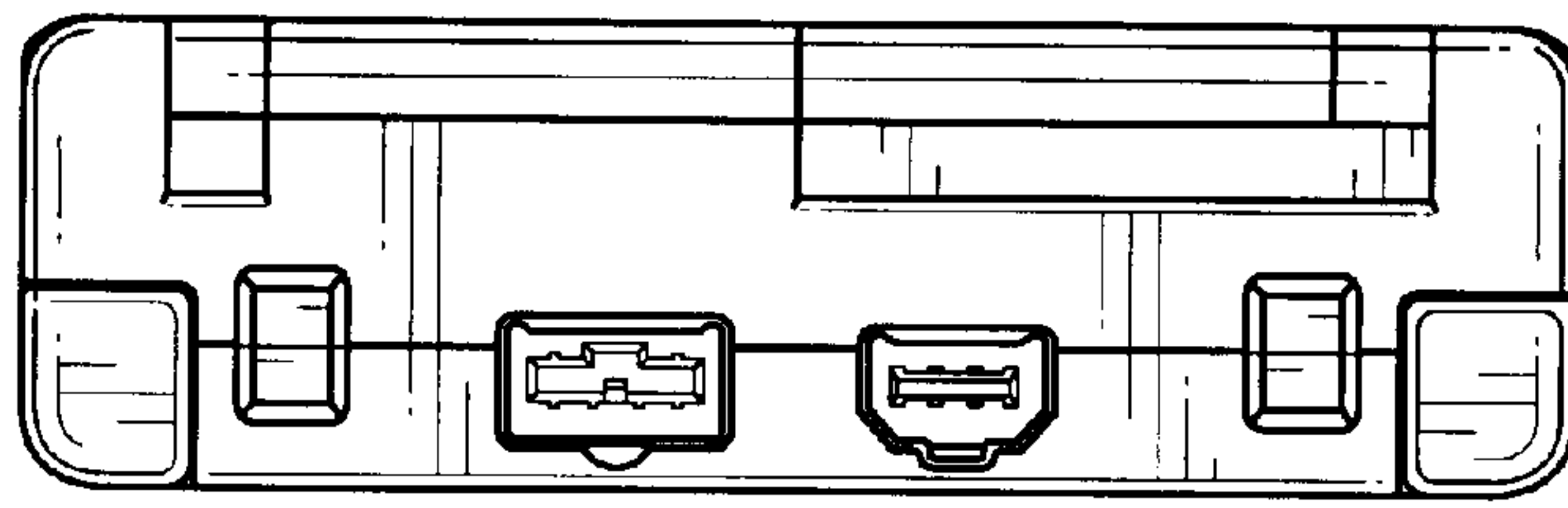


Fig. 28

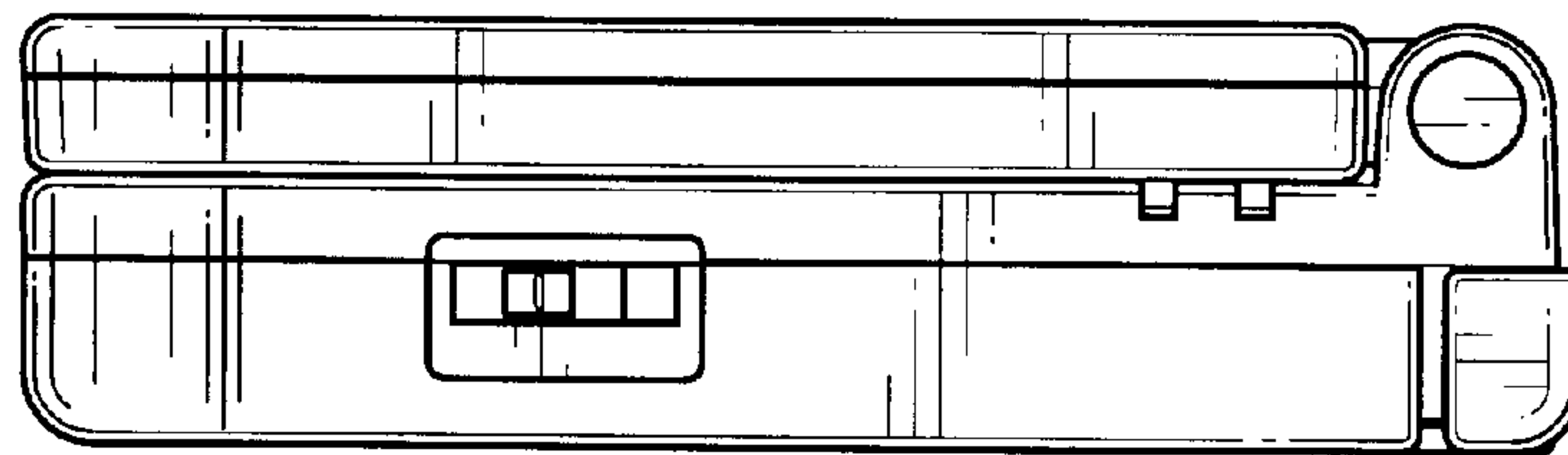


Fig. 29

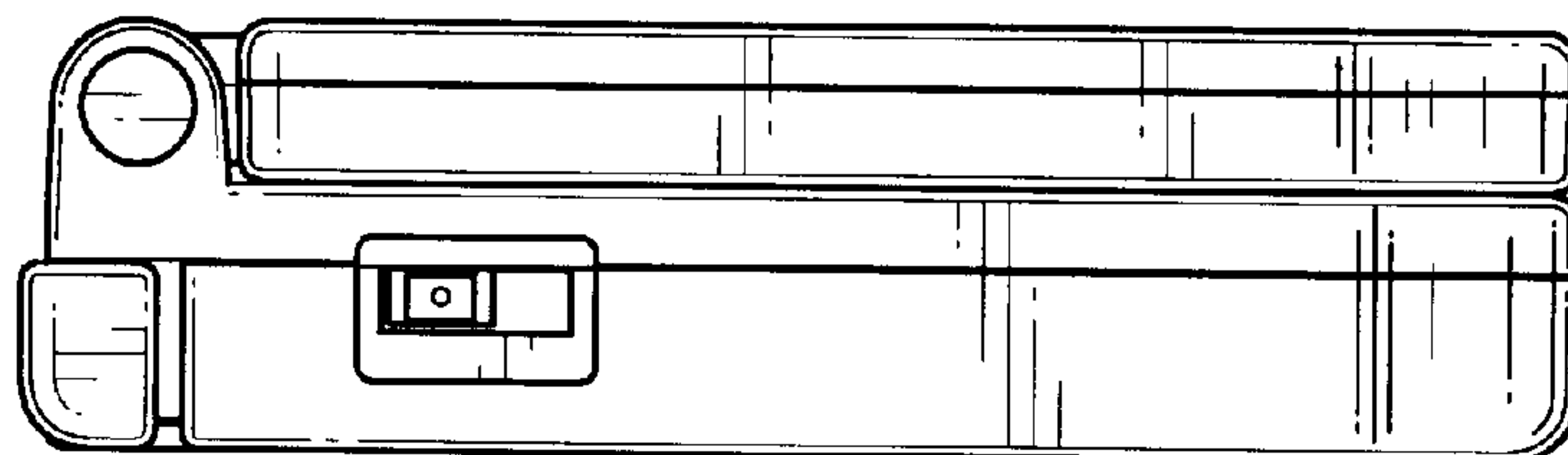


Fig. 30

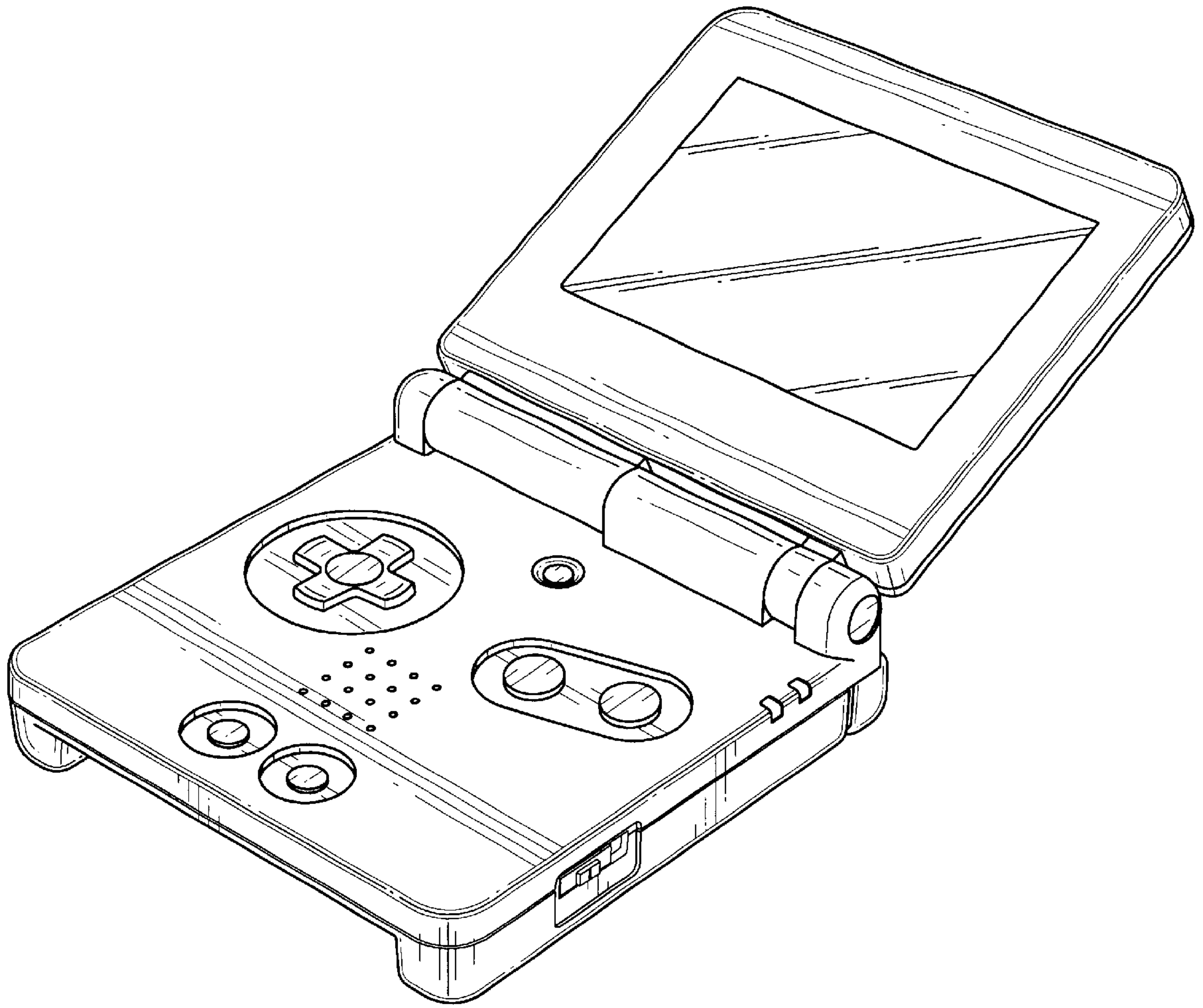


Fig. 31

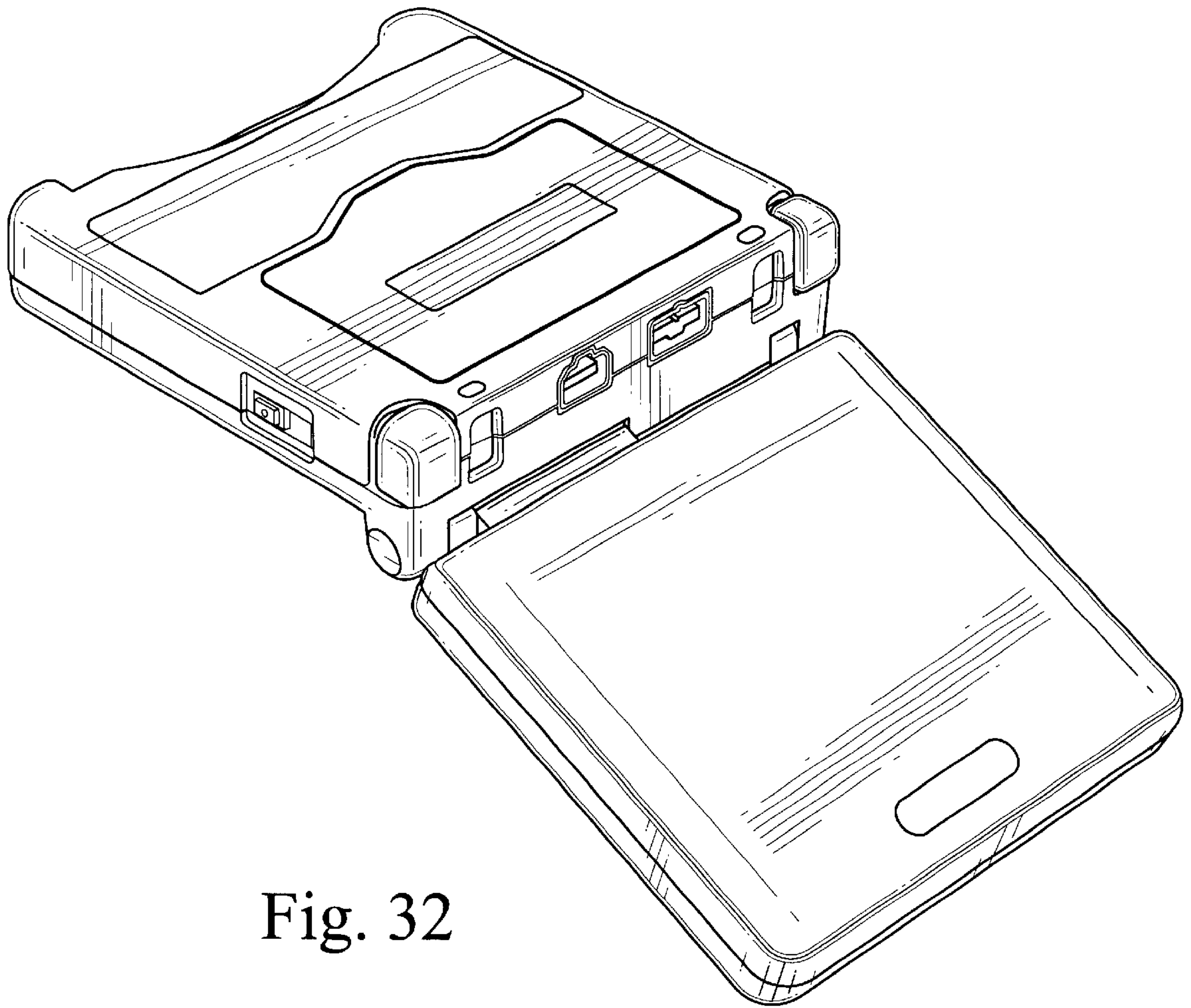


Fig. 32

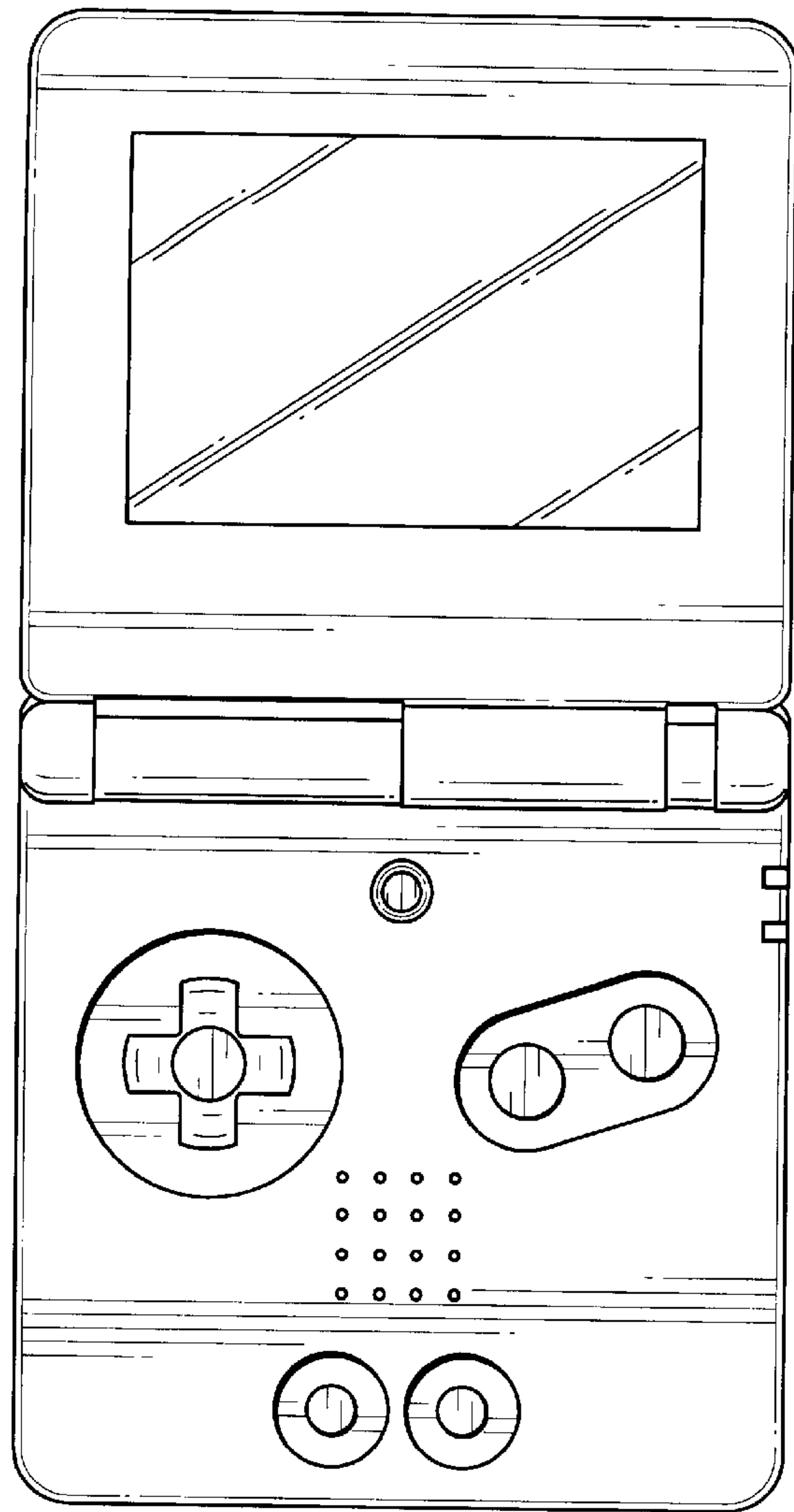


Fig. 33

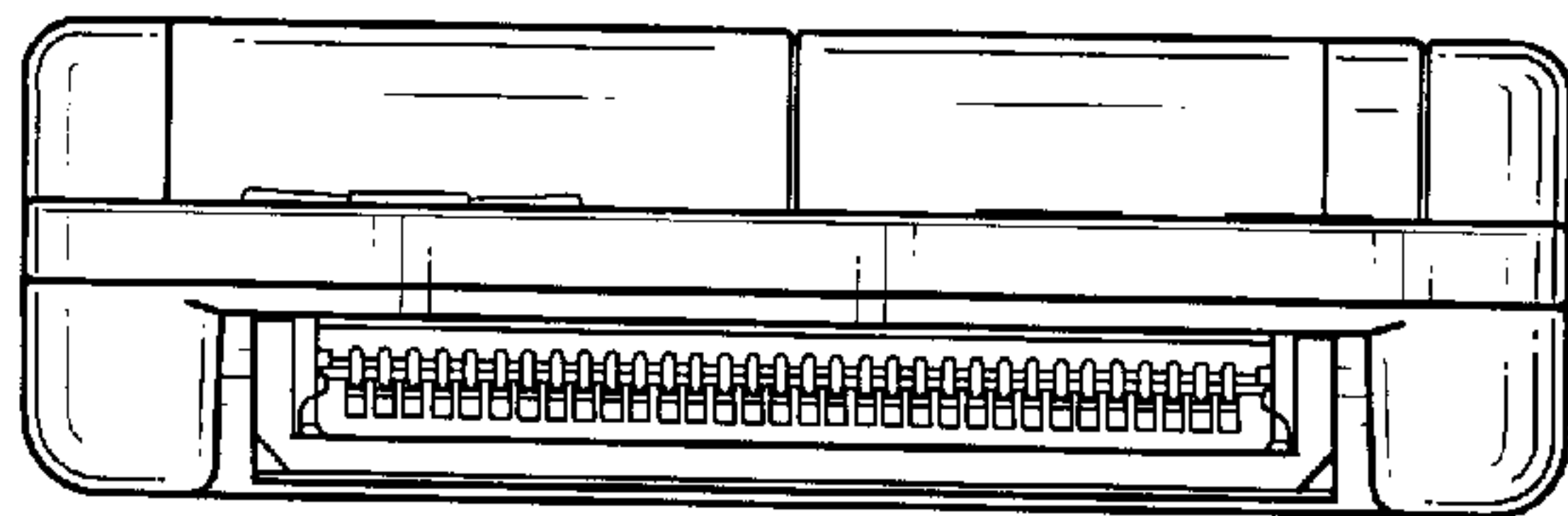


Fig. 34

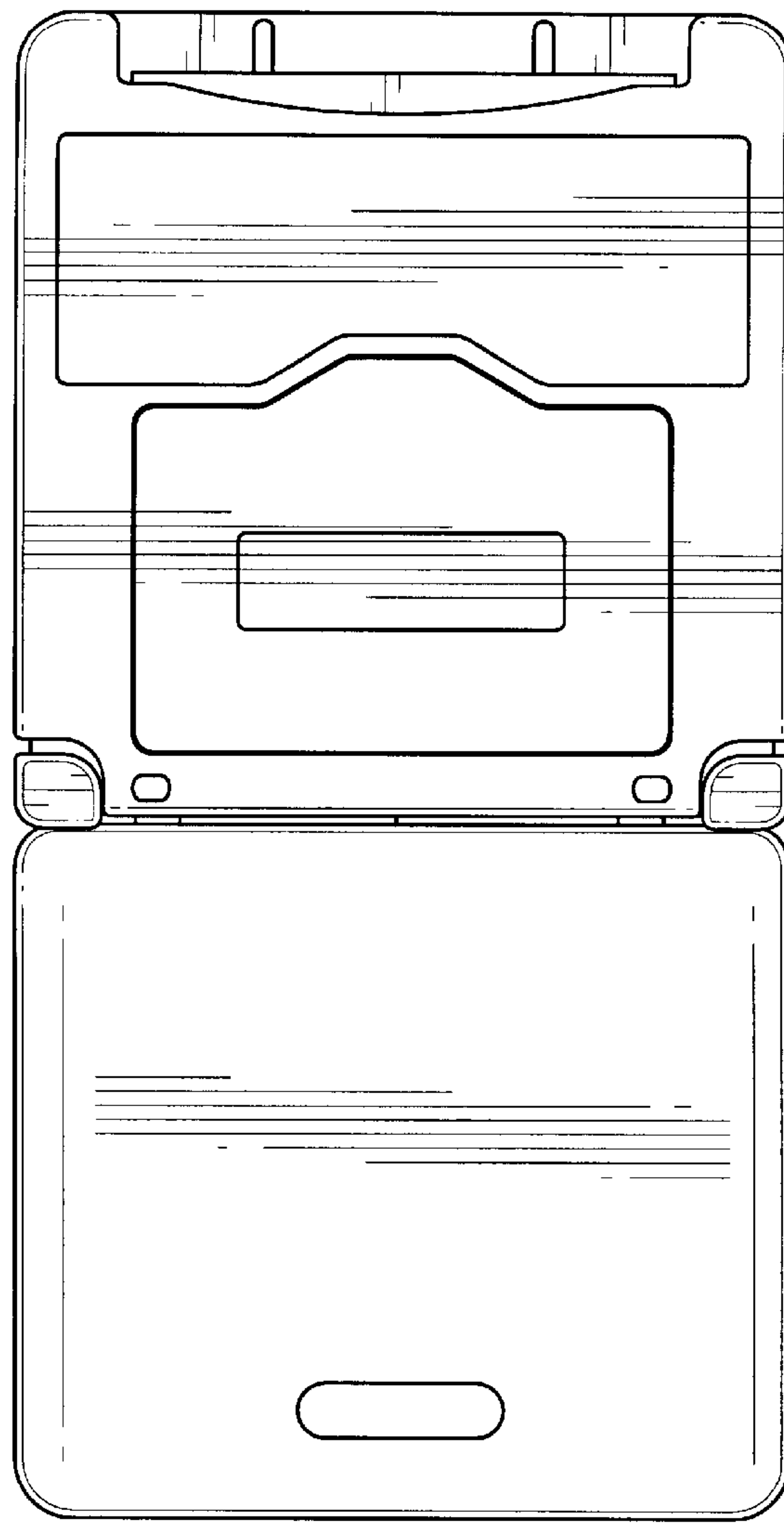


Fig. 35

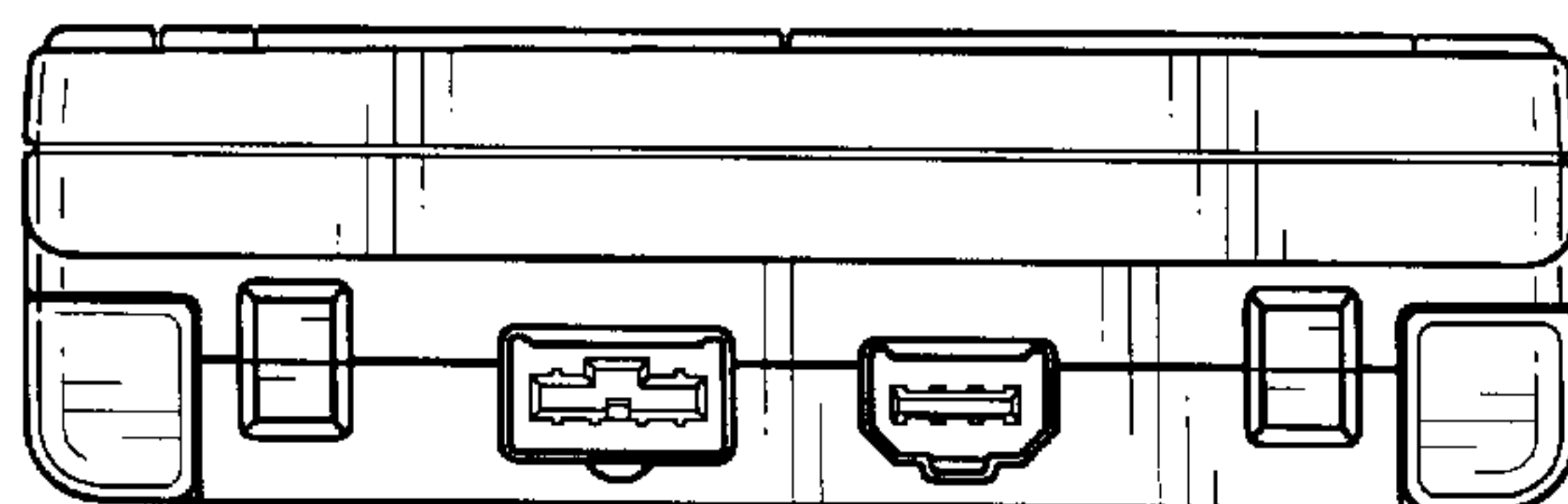


Fig. 36

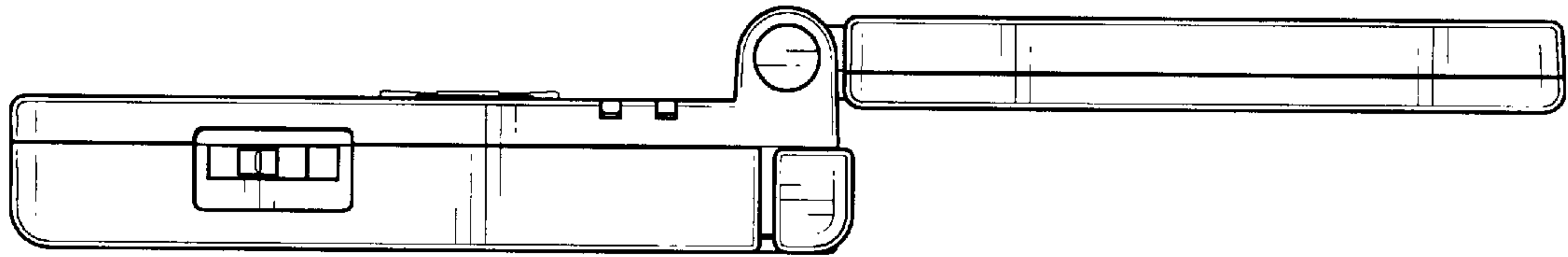


Fig. 37

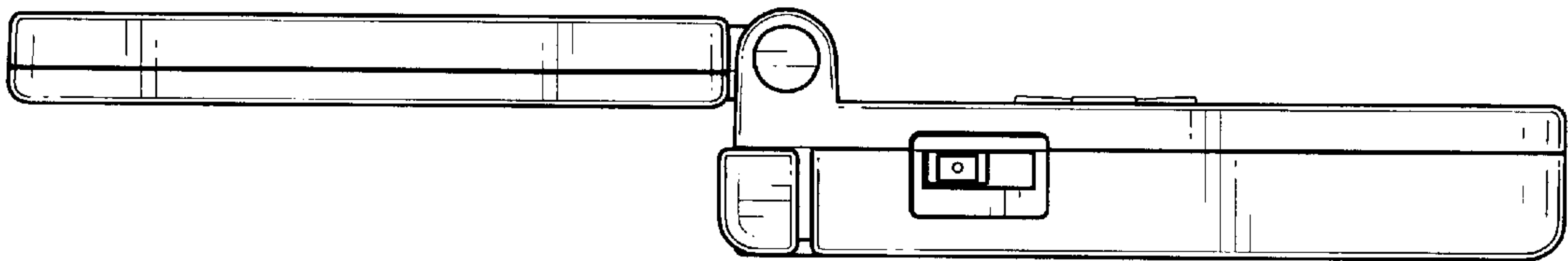


Fig. 38

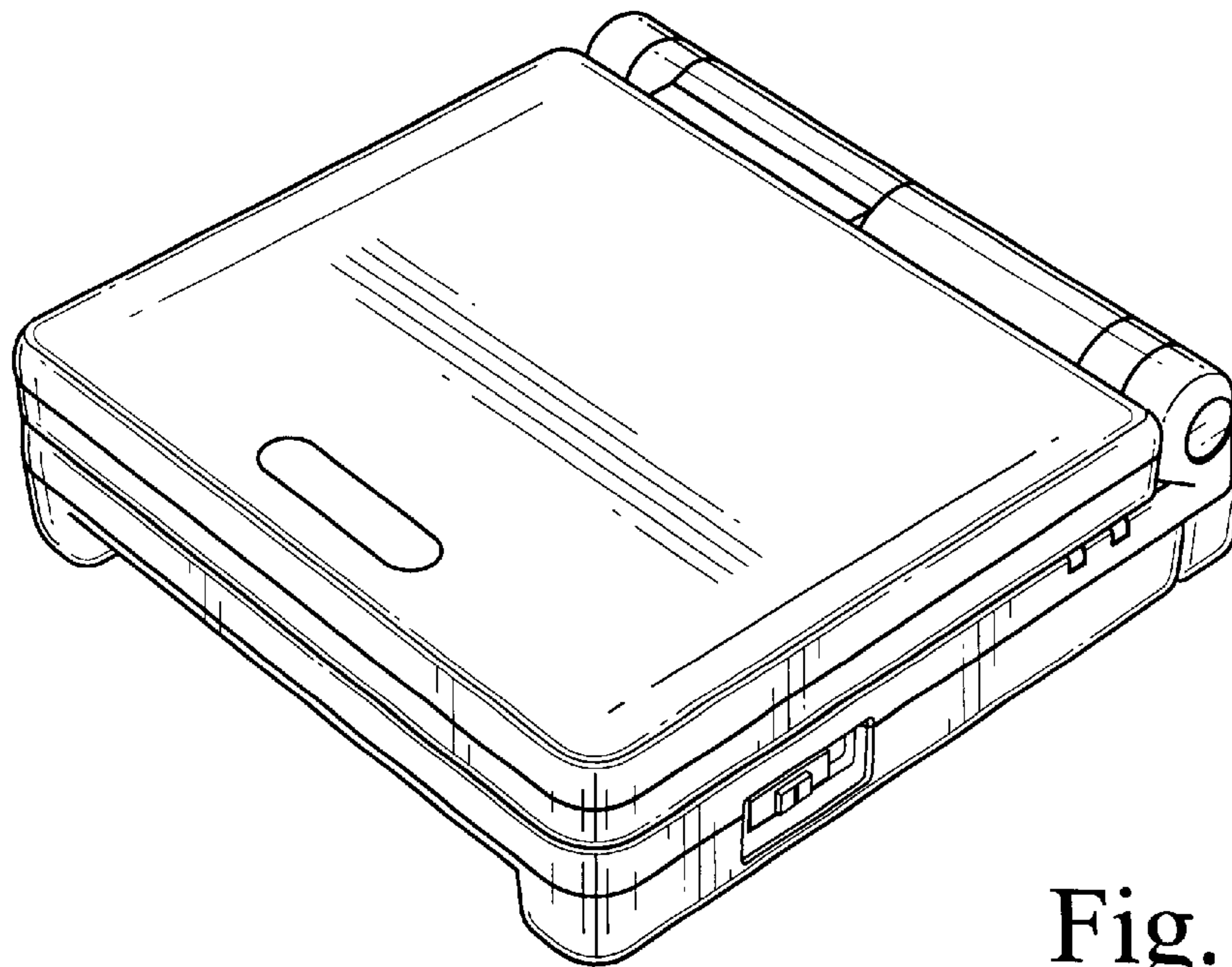


Fig. 39

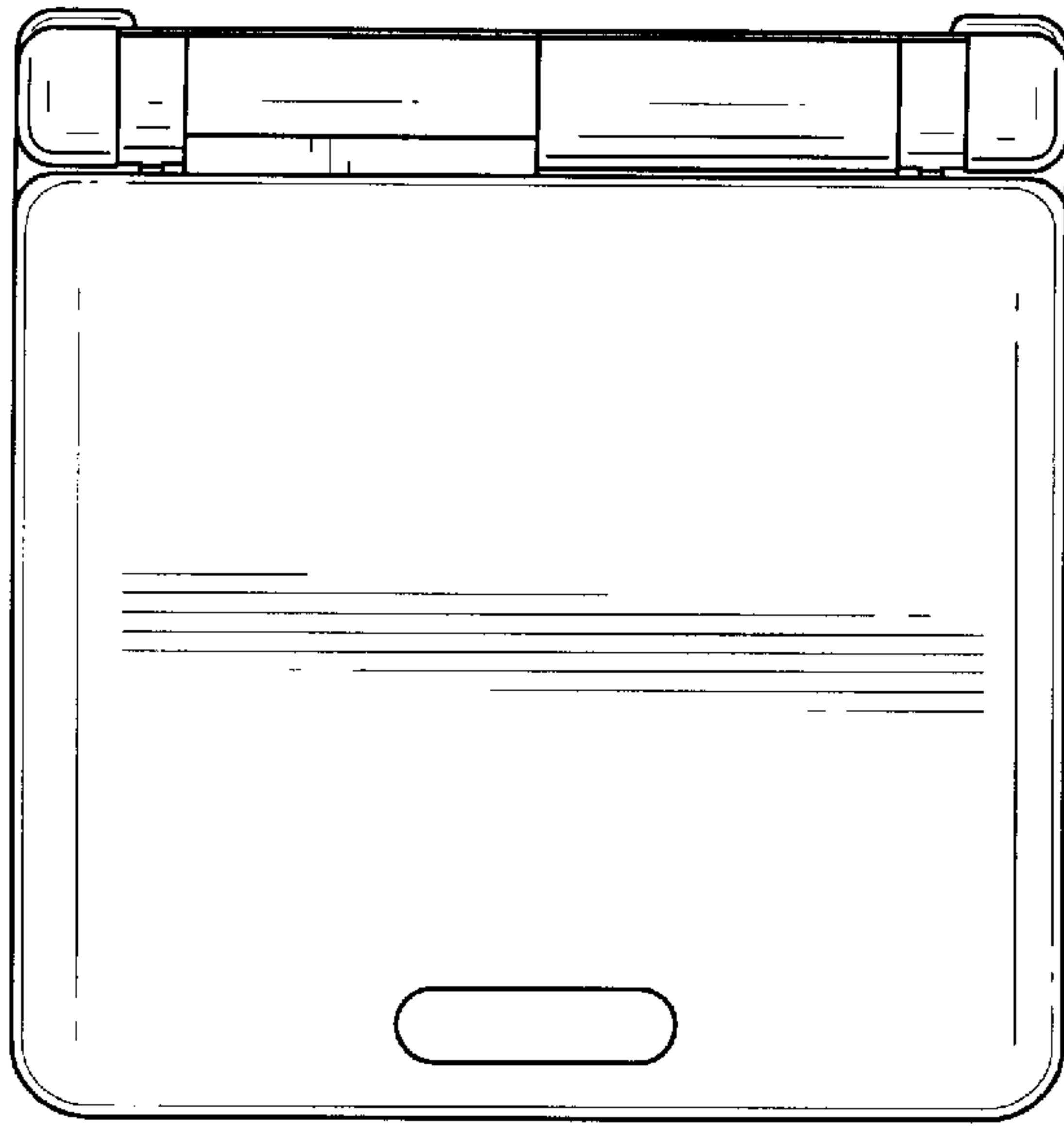


Fig. 40

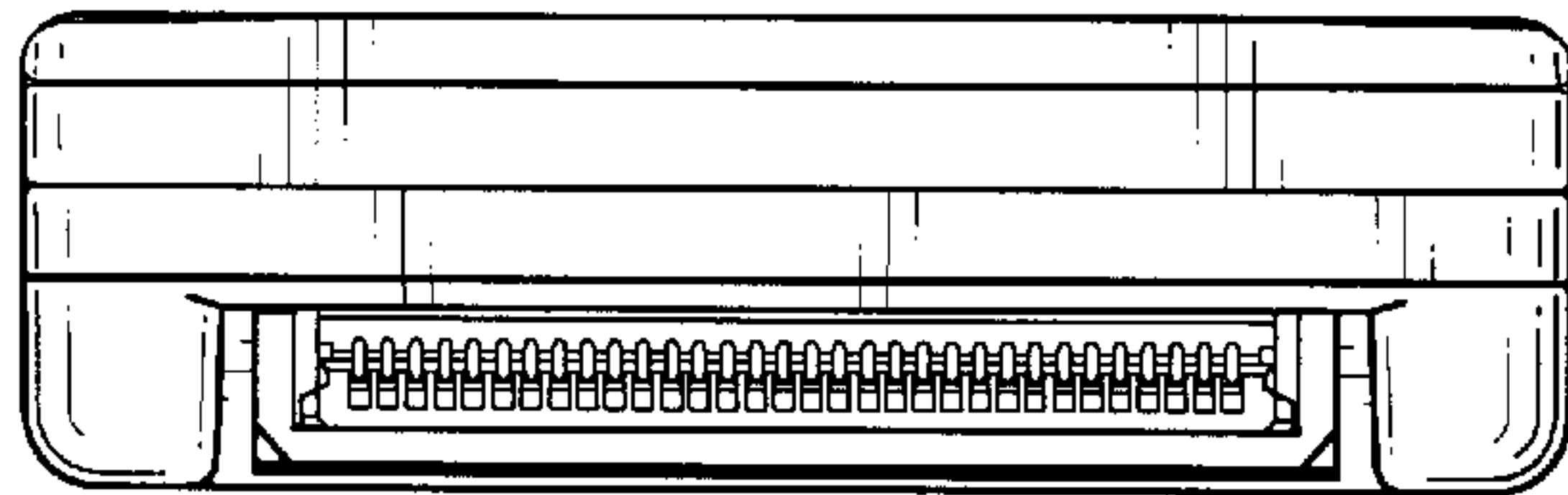


Fig. 41

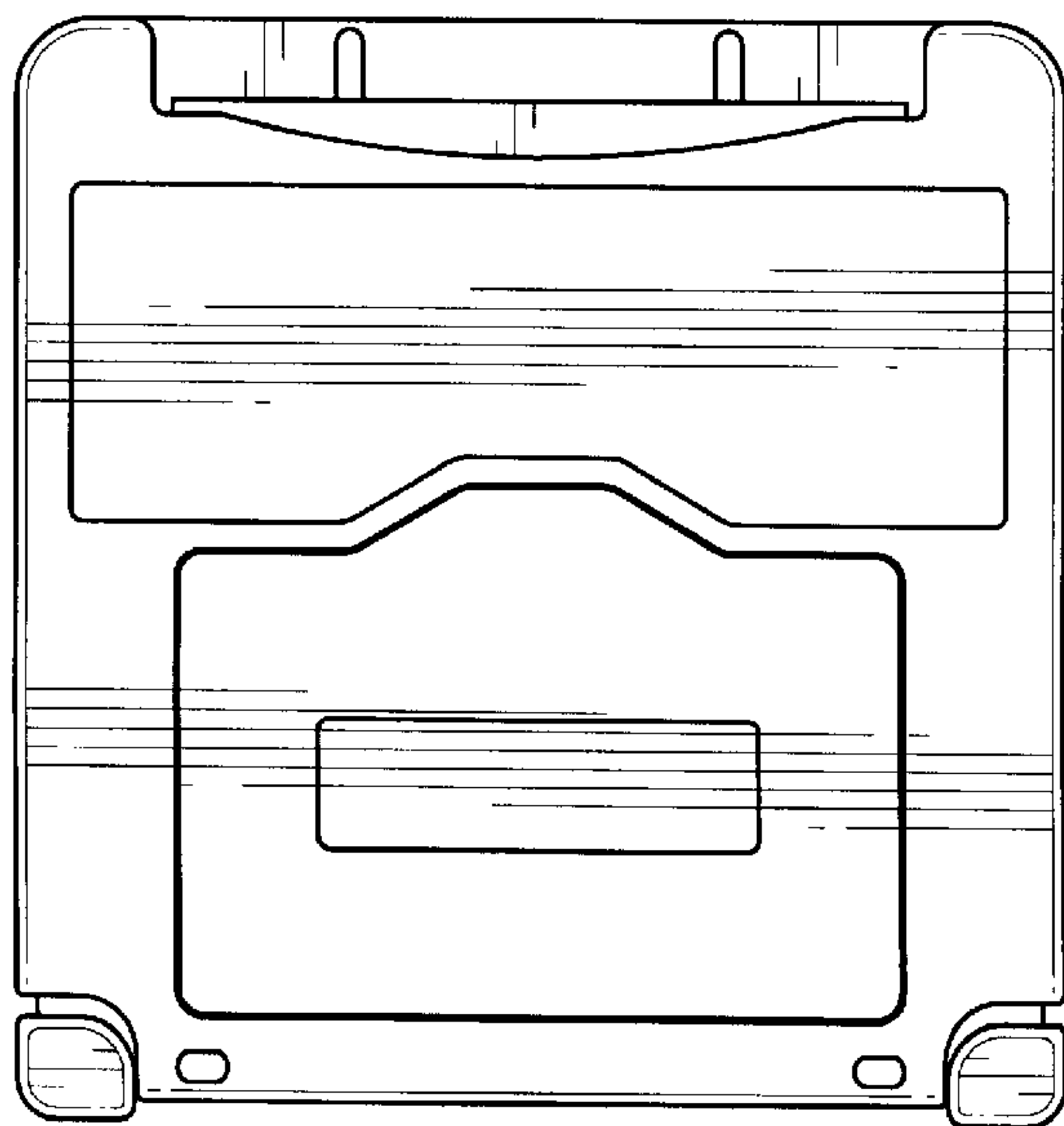


Fig. 42

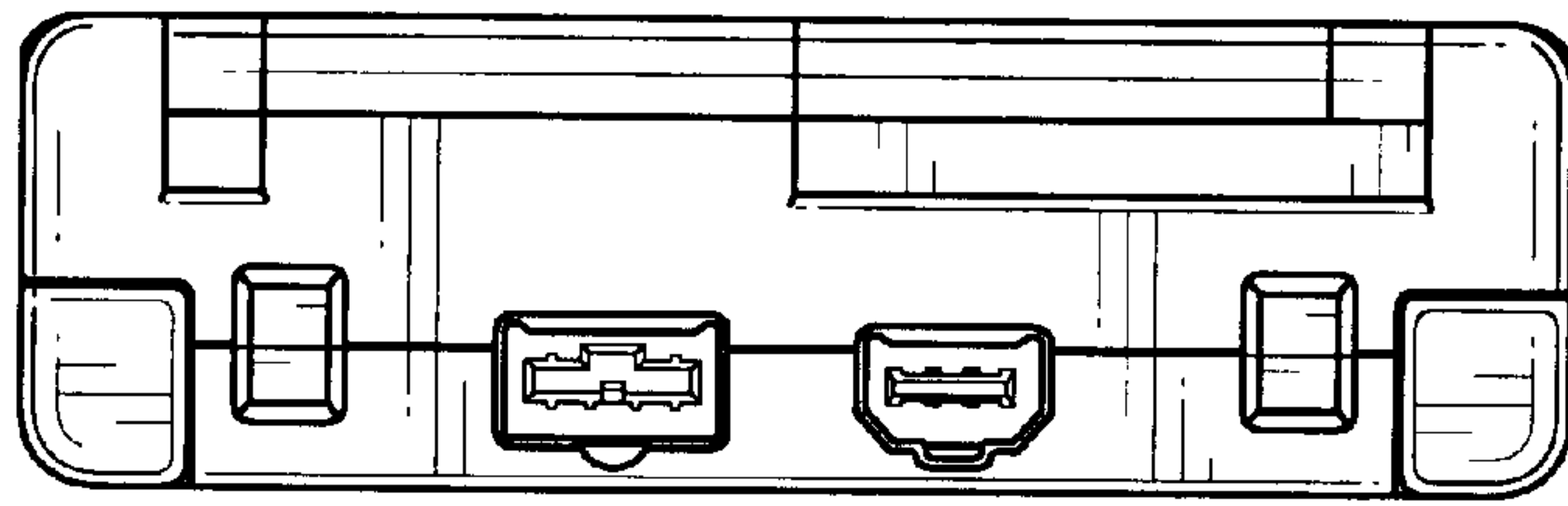


Fig. 43

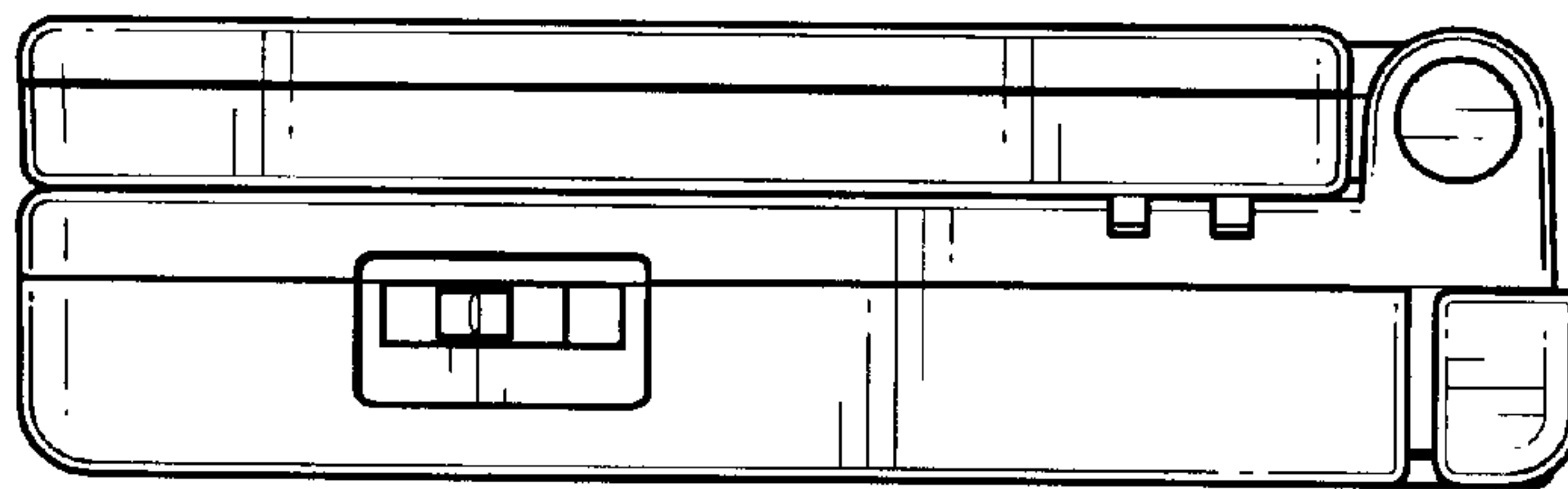


Fig. 44

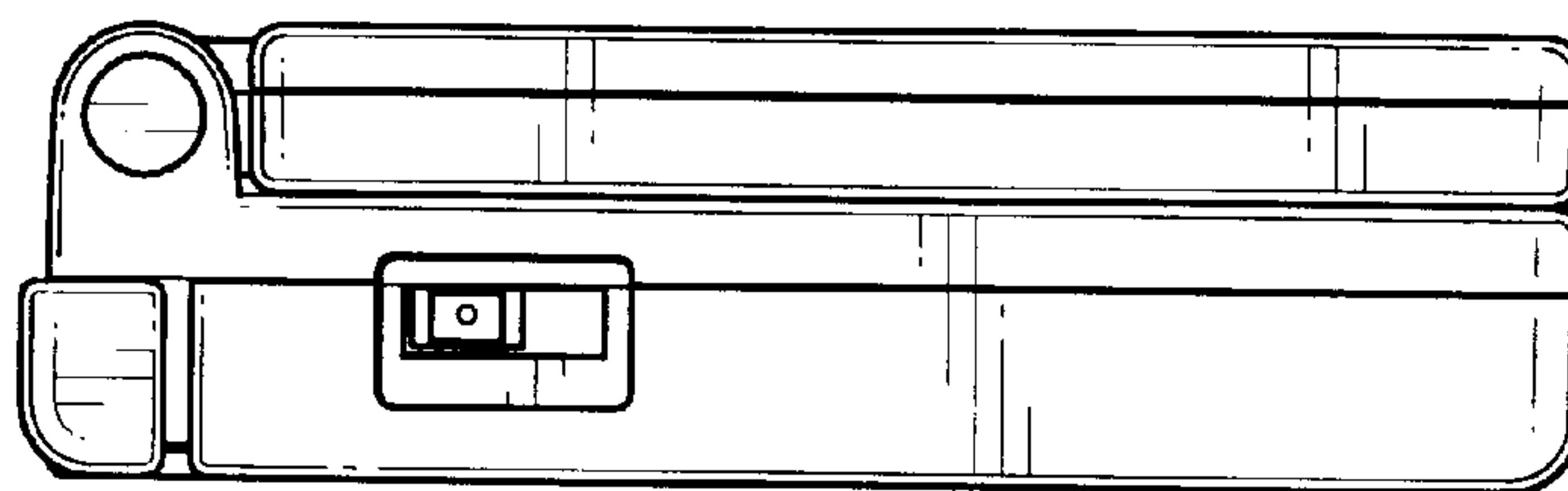


Fig. 45