



US00D484905S

(12) **United States Design Patent**
Waters

(10) **Patent No.:** **US D484,905 S**
(45) **Date of Patent:** **** Jan. 6, 2004**

(54) **LIGHT MODULE**

(76) Inventor: **Michael Waters**, 372 Bateman Cir.
North, Barrington Hills, IL (US) 60010

(**) Term: **14 Years**

(21) Appl. No.: **29/176,093**

(22) Filed: **Feb. 18, 2003**

Related U.S. Application Data

(63) Continuation-in-part of application No. 29/161,311, filed on
May 28, 2002, now Pat. No. Des. 473,890.

(51) **LOC (7) Cl.** **16-06**

(52) **U.S. Cl.** **D16/330; D16/336; D16/309;**
D26/51

(58) **Field of Search** **D16/300-330,**
D16/335, 336; D29/109, 110; D11/37-39,
51, 46; 351/41, 44, 51, 52, 111, 158; 362/103-105

(56) **References Cited**

U.S. PATENT DOCUMENTS

D215,751 S	*	10/1969	Castellano	351/158
3,634,676 A	*	1/1972	Castellamo	362/105
3,769,663 A	*	11/1973	Perl	351/158
D229,975 S	*	1/1974	Klugmann	D16/309
D445,928 S	*	7/2001	Sharrah et al.	D26/38
D469,198 S	*	1/2003	Olson	D10/114

* cited by examiner

Primary Examiner—Raphael Barkai

(74) *Attorney, Agent, or Firm*—Fitch, Even, Tabin &
Flannery

(57) **CLAIM**

I claim the ornamental design for a light module, as shown
and described.

DESCRIPTION

FIG. 1 is a perspective view of a light module according to
my new design;

FIG. 2 is a left side elevational view of the light module of
FIG. 1;

FIG. 3 is a top plan view of the light module of FIG. 1;

FIG. 4 is a right side elevational view of the light module of
FIG. 1;

FIG. 5 is a bottom plan view of the light module of FIG. 1;

FIG. 6 is a front elevational view of the light module of FIG.
1;

FIG. 7 is a rear elevational view of the light module of FIG.
1;

FIG. 8 is a perspective view of another light module
according to my new design;

FIG. 9 is a left side elevational view of the light module of
FIG. 8;

FIG. 10 is a top plan view of the light module of FIG. 8;

FIG. 11 is a right side elevational view of the light module
of FIG. 8;

FIG. 12 is a bottom plan view of the light module of FIG.
8;

FIG. 13 is front elevational view of the light module of FIG.
8; and,

FIG. 14 is a rear elevational view of the light module of FIG.
8.

1 Claim, 2 Drawing Sheets

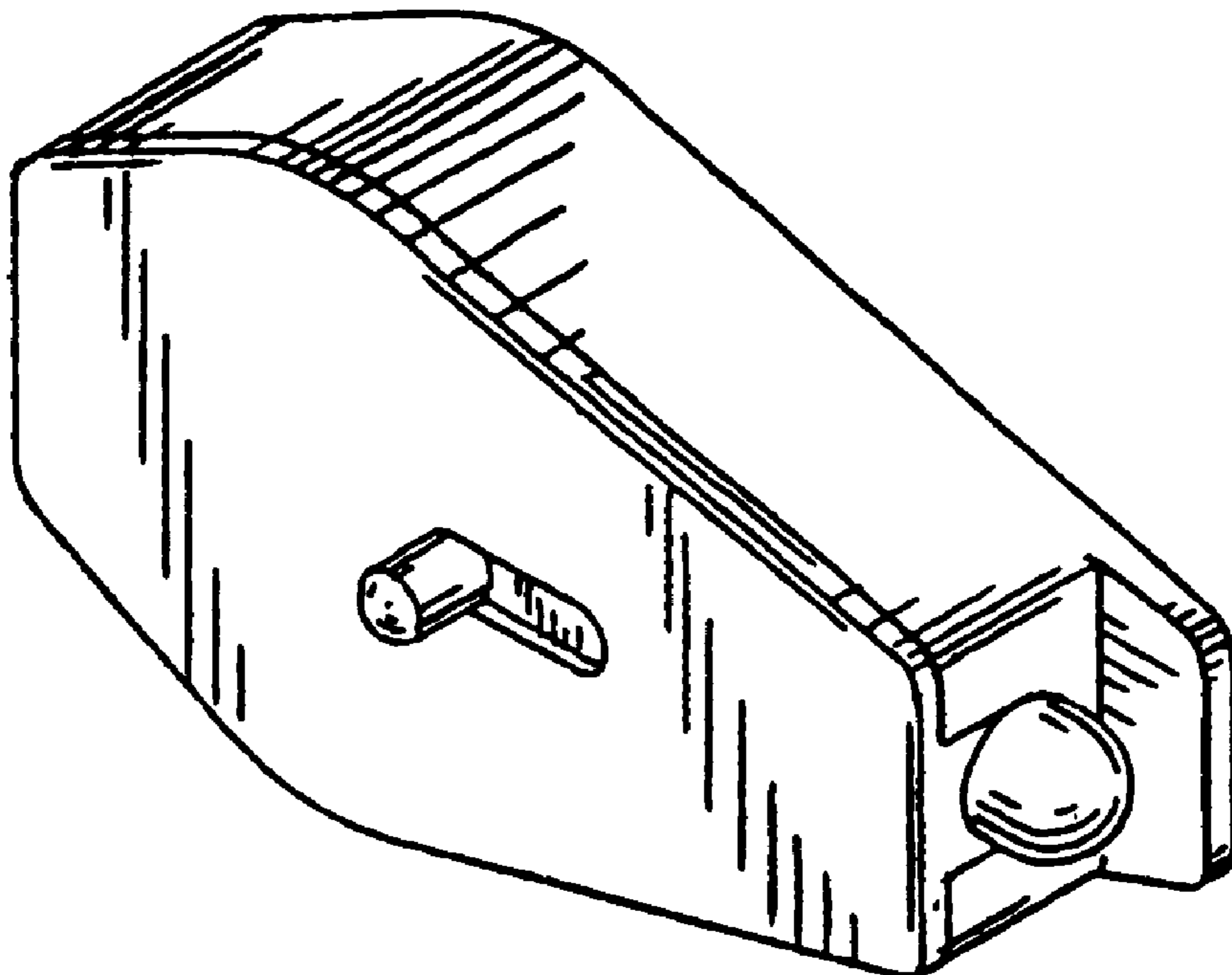


FIG. 1

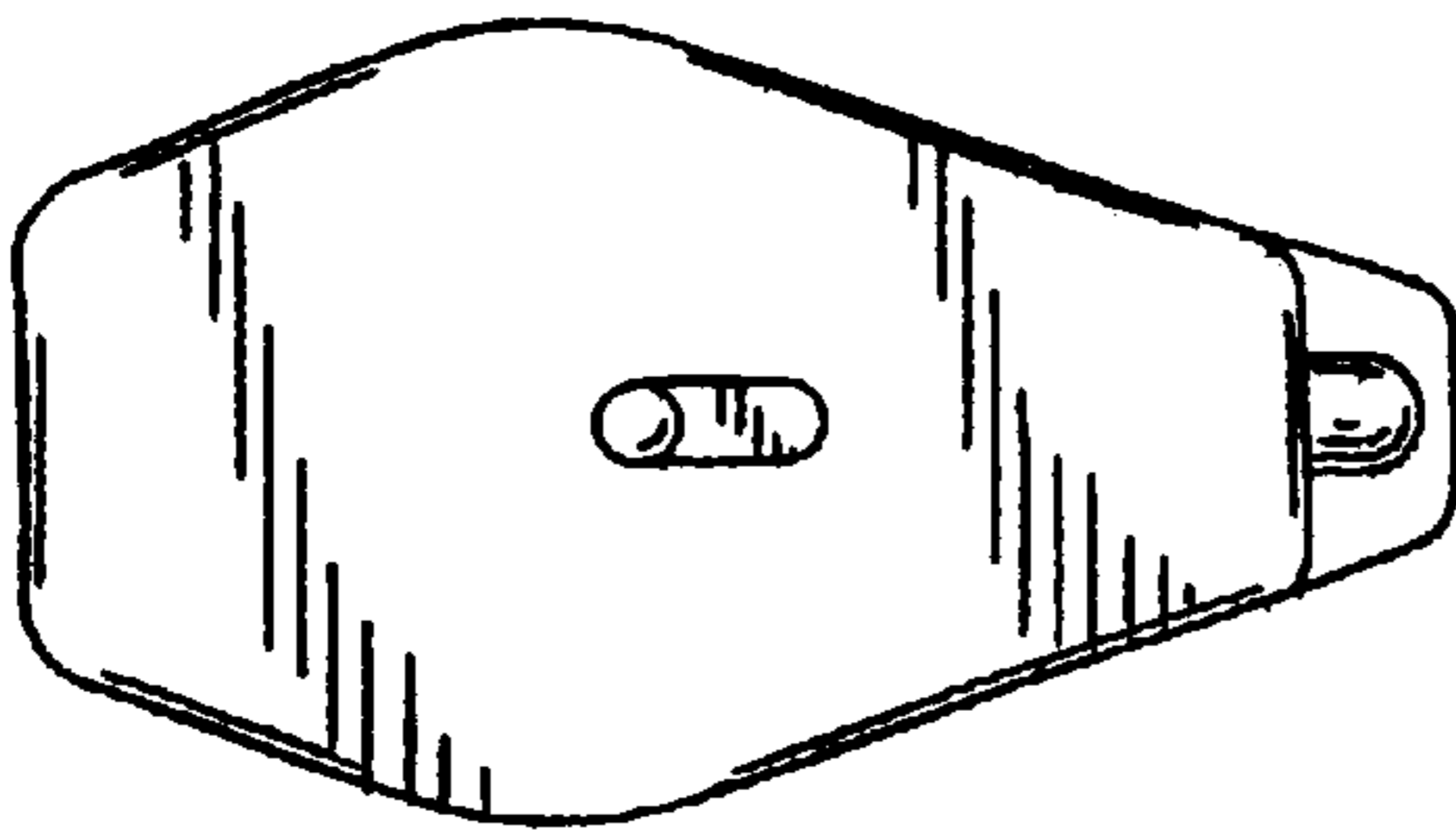
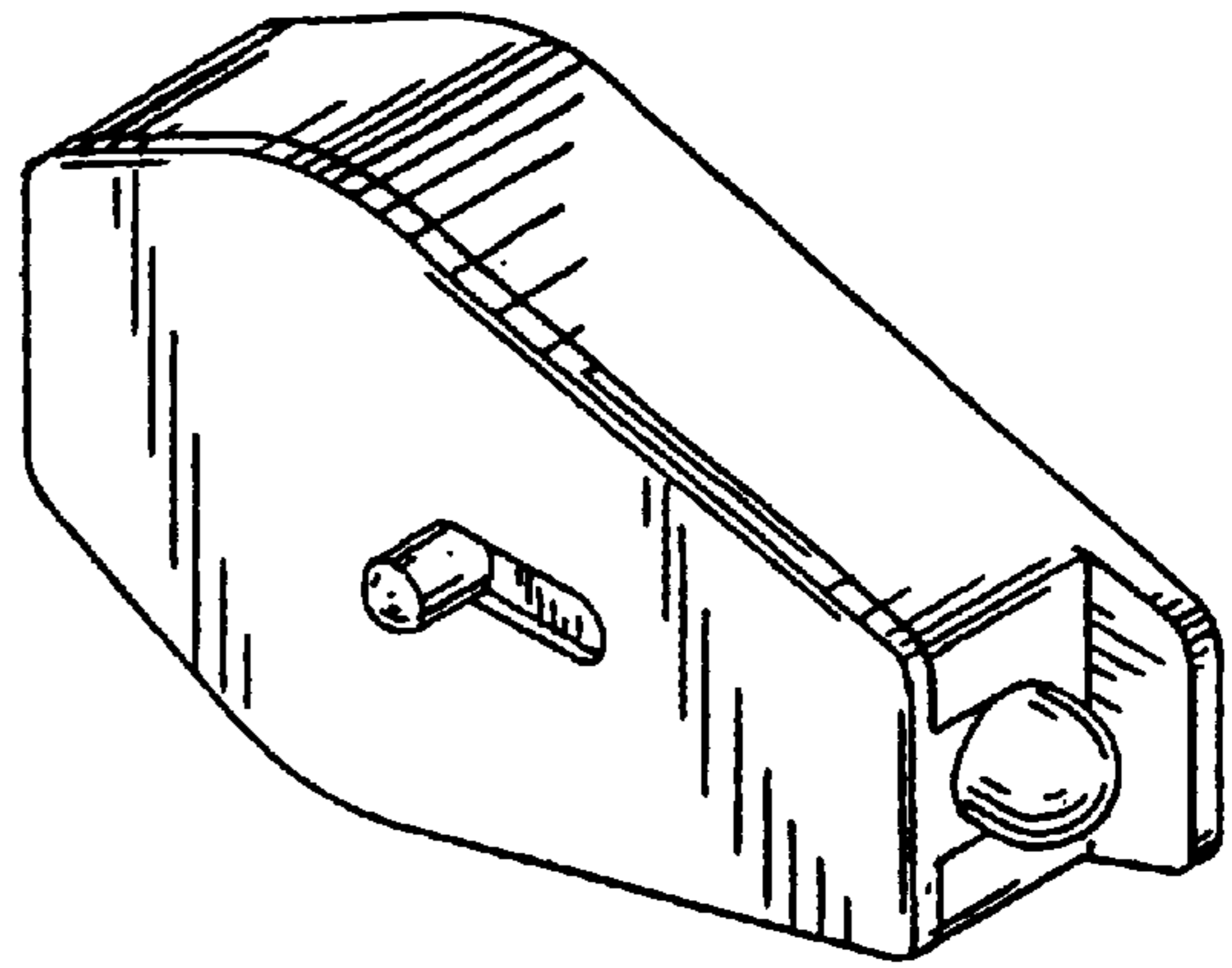


FIG. 2

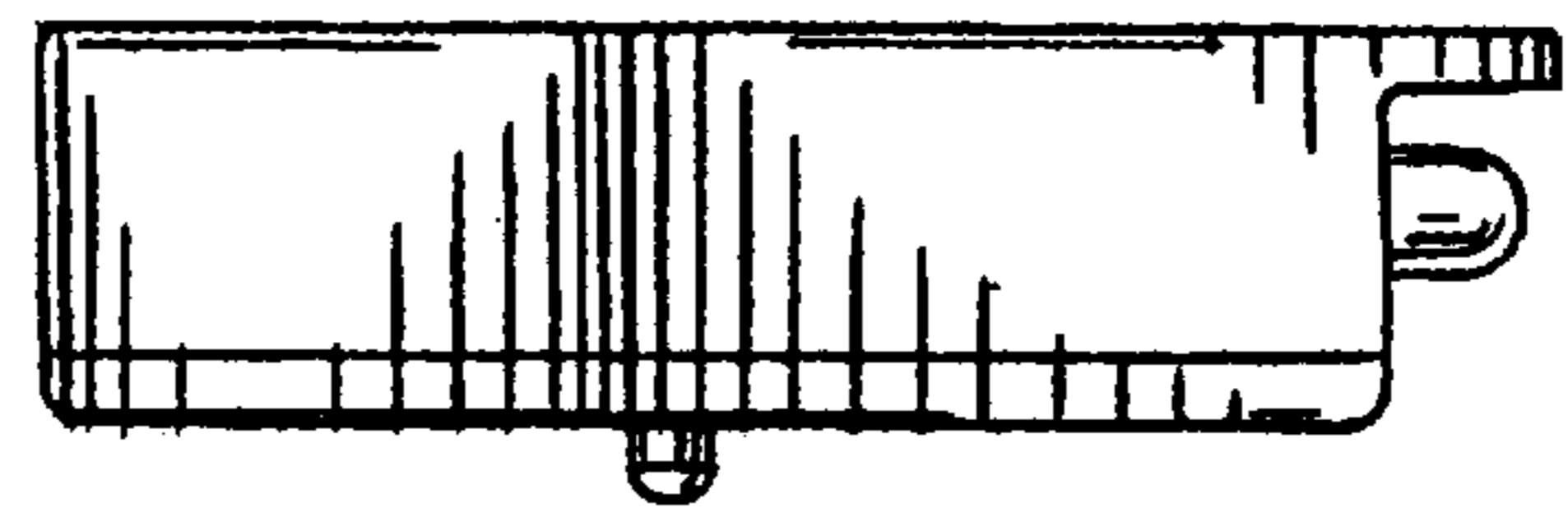


FIG. 3

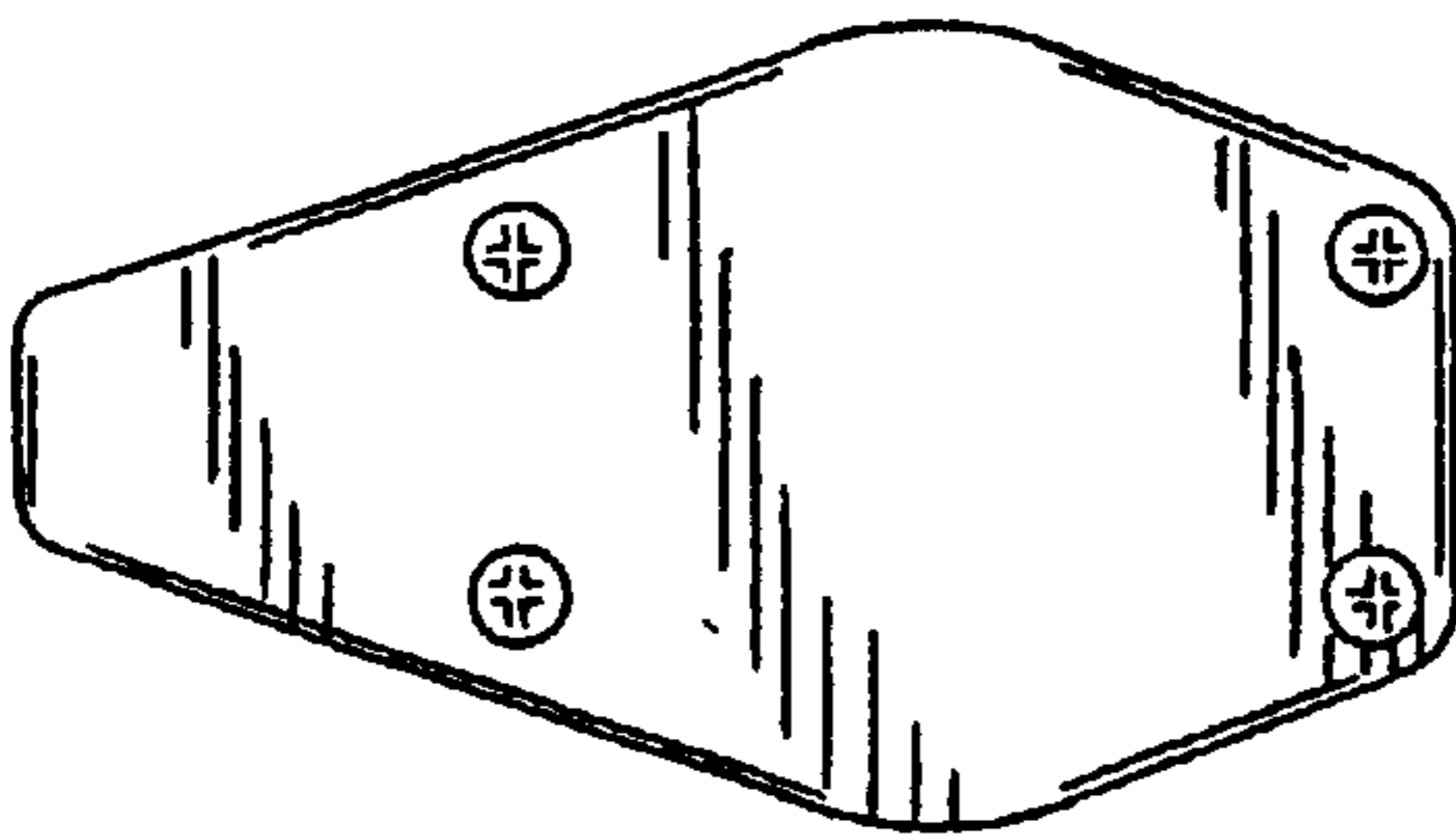


FIG. 4

FIG. 5

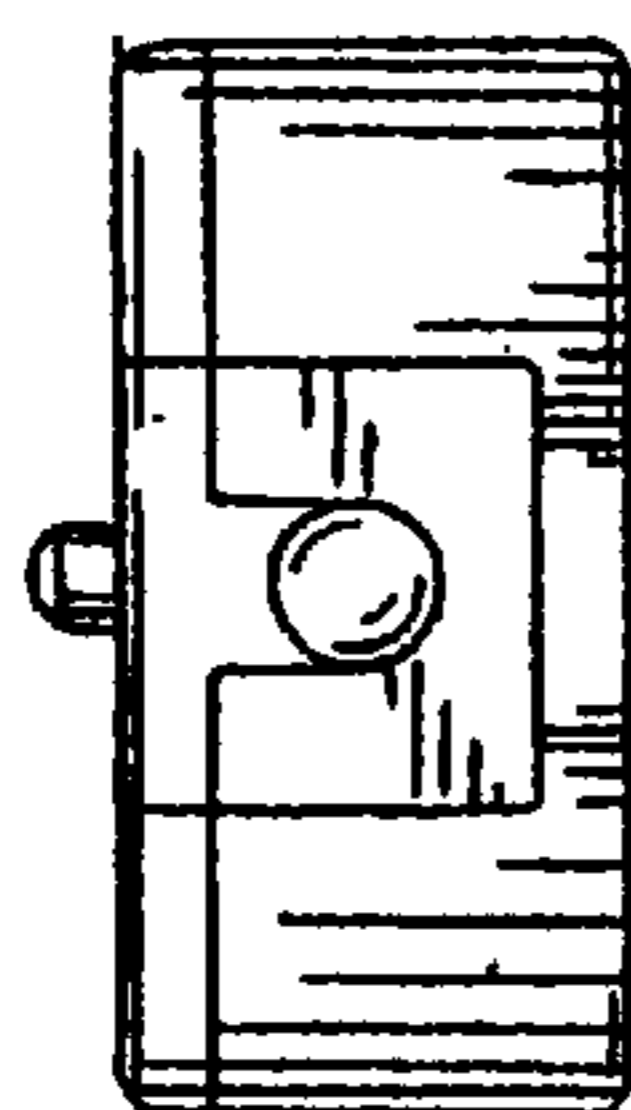
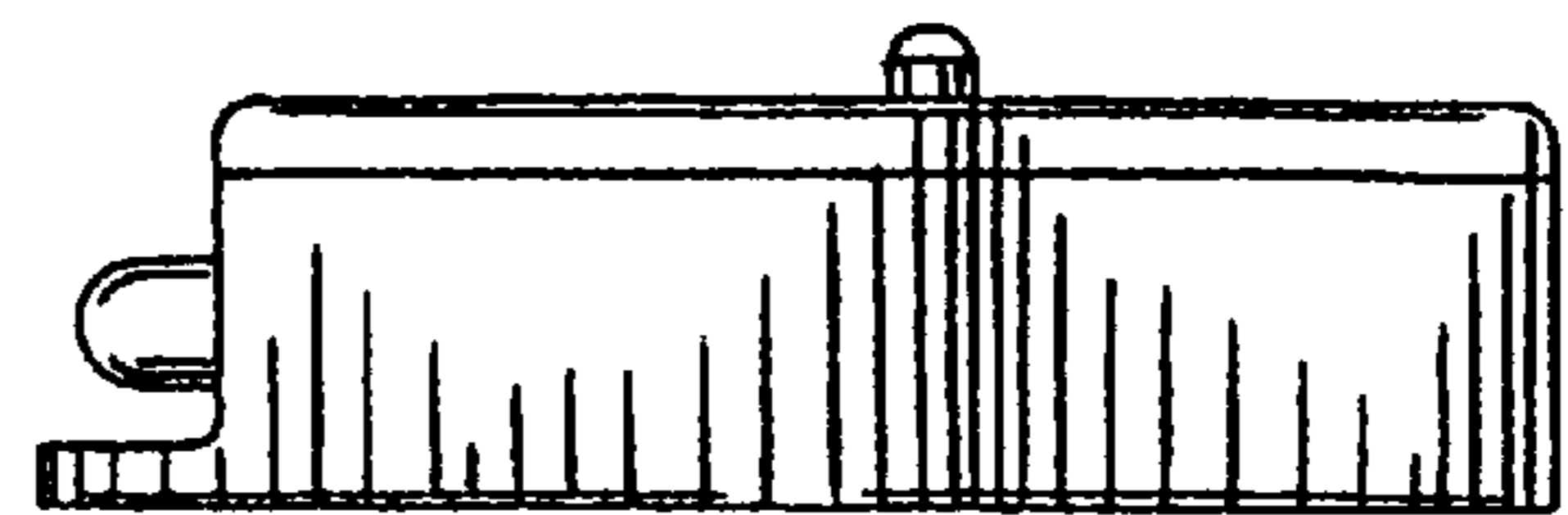
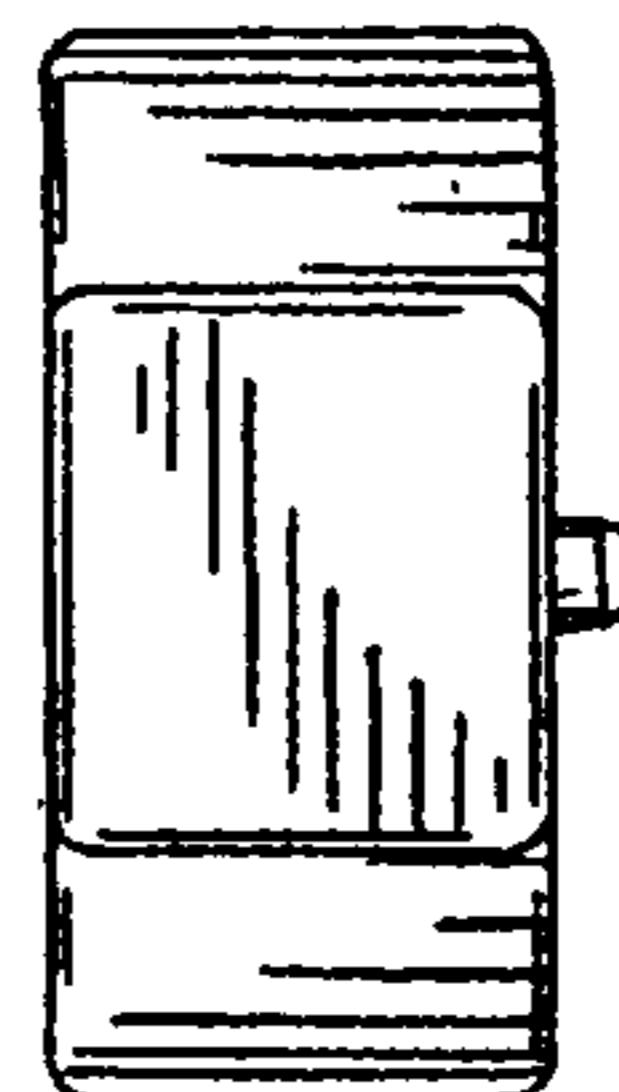


FIG. 6

FIG. 7



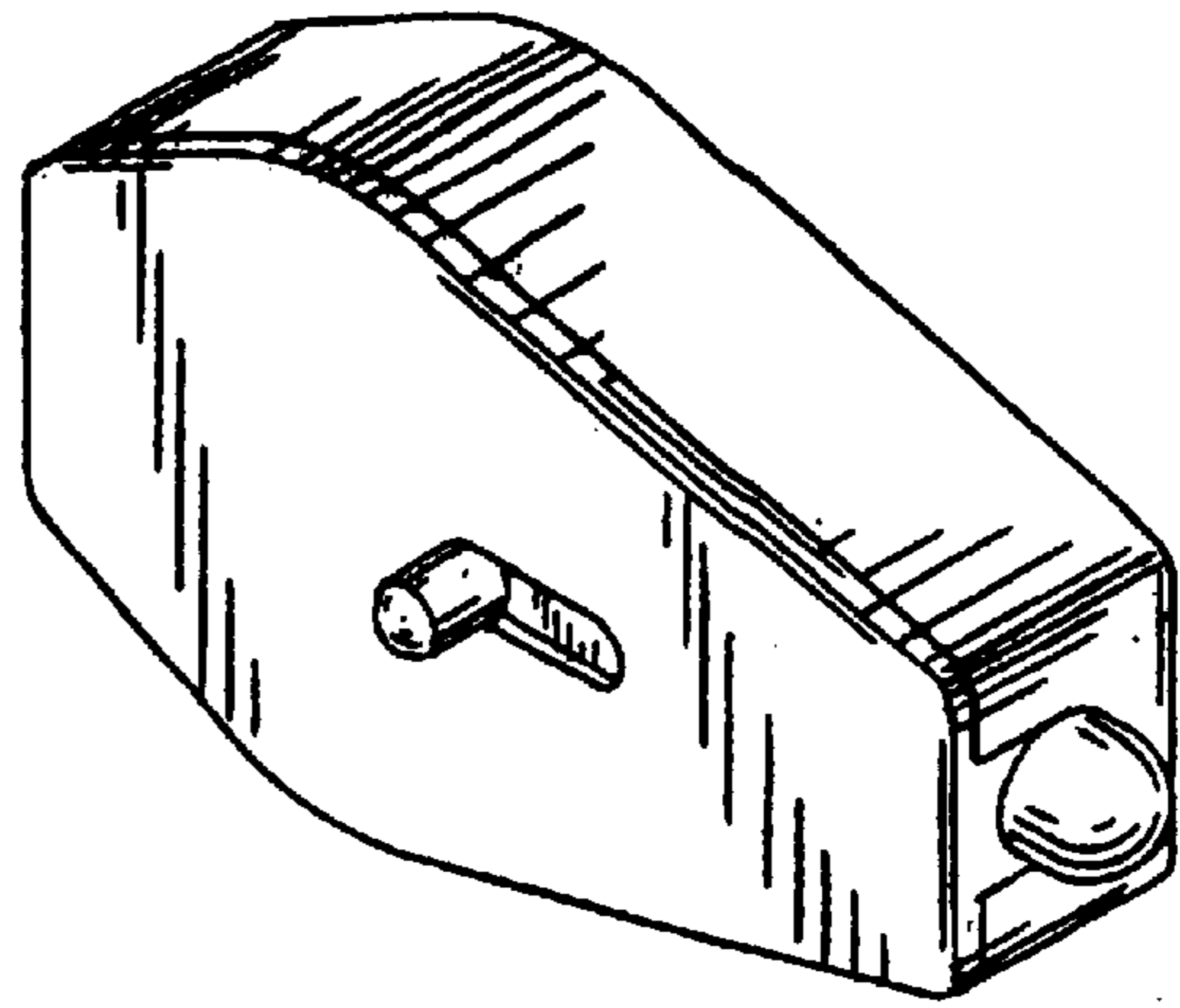


FIG. 8

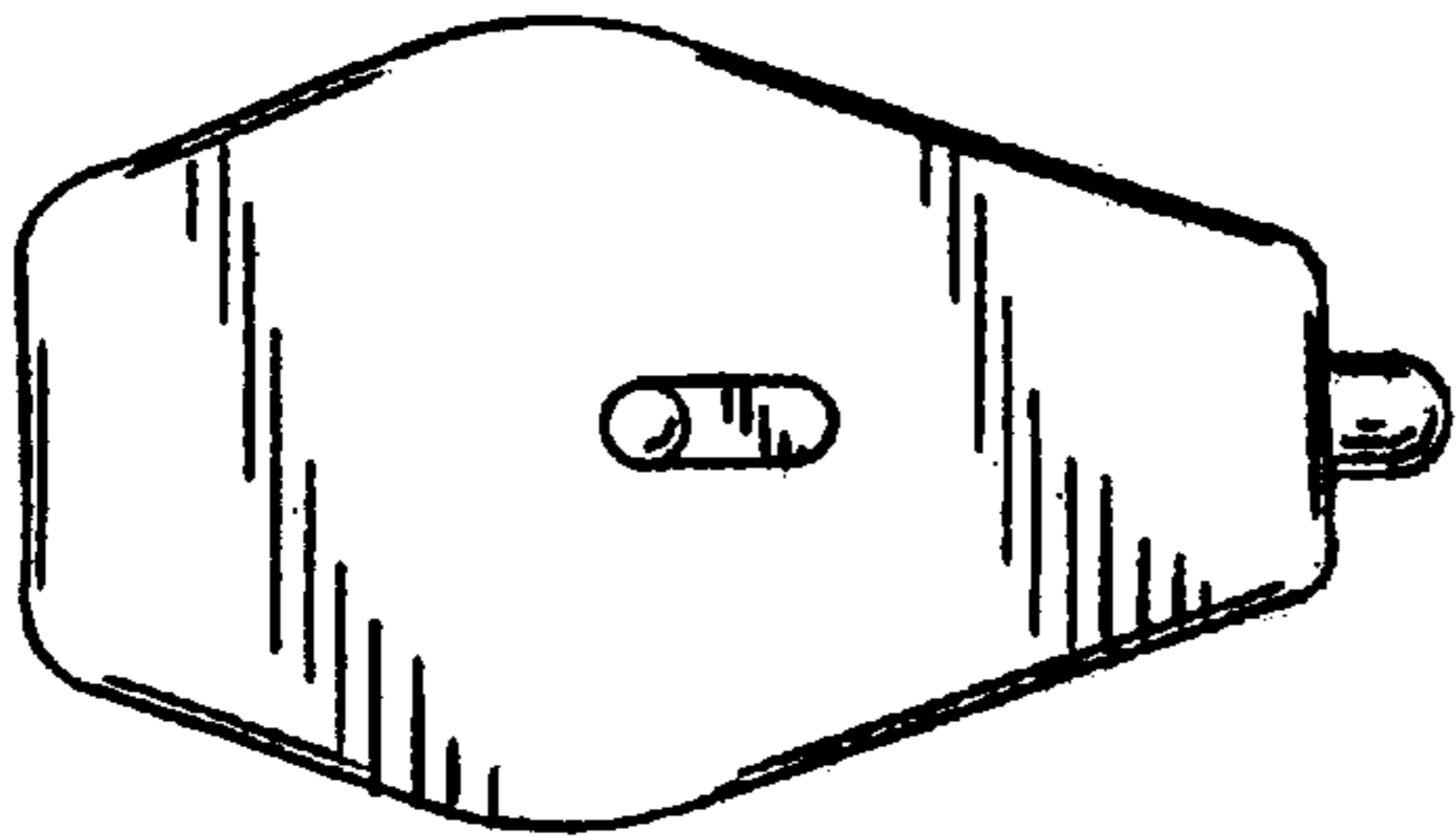


FIG. 9

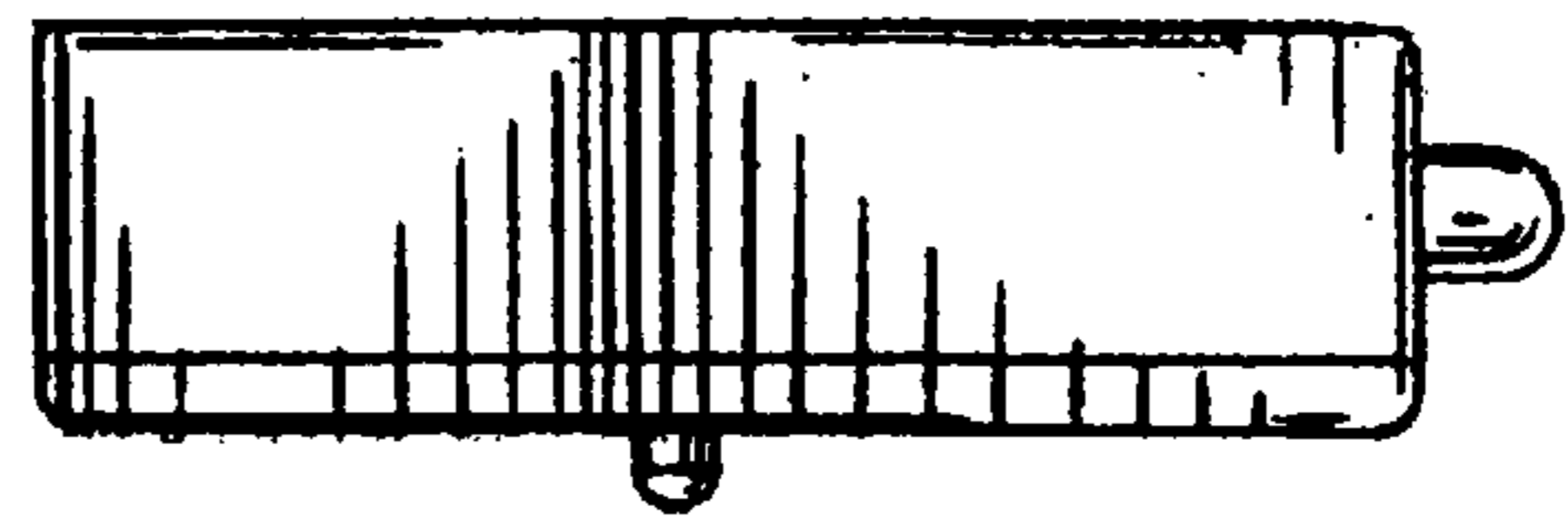


FIG. 10

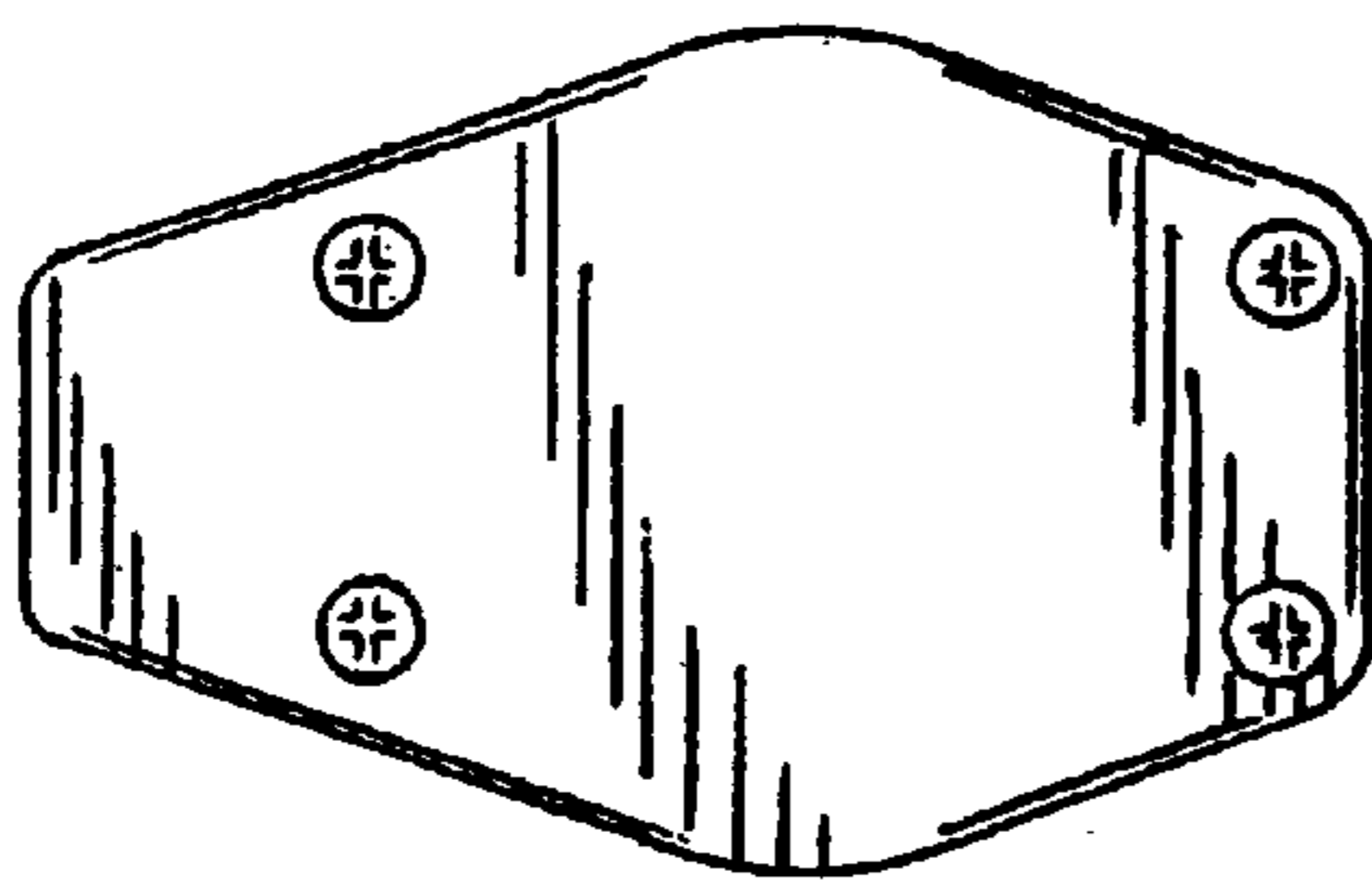


FIG. 11

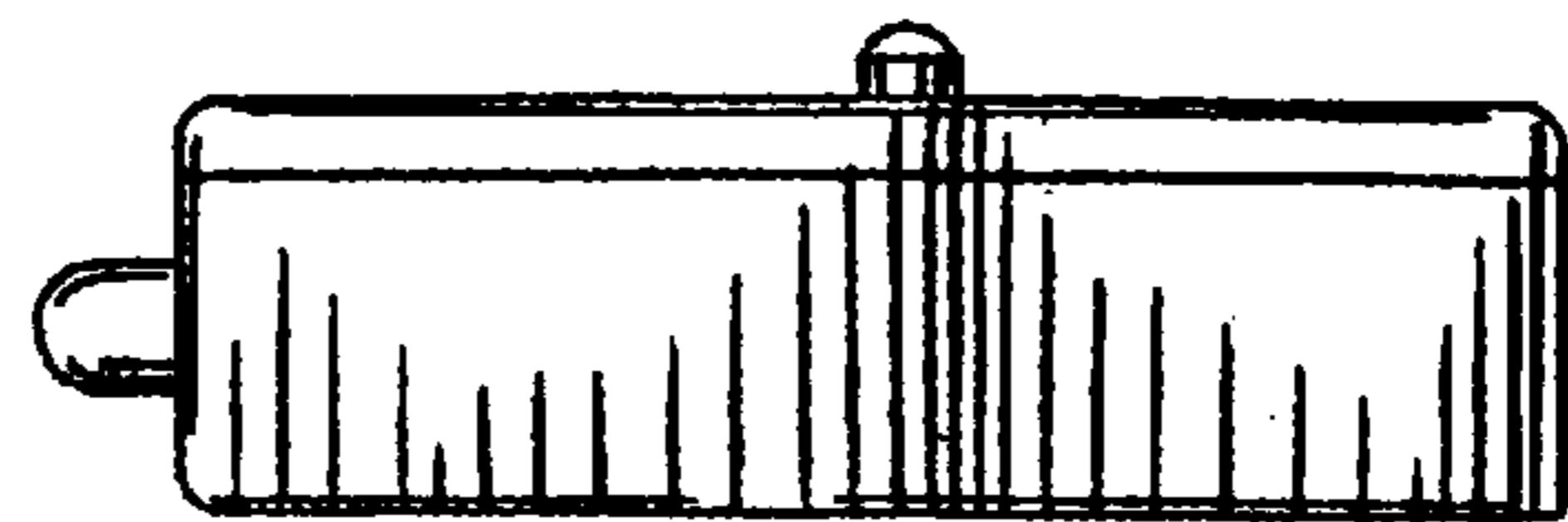


FIG. 12

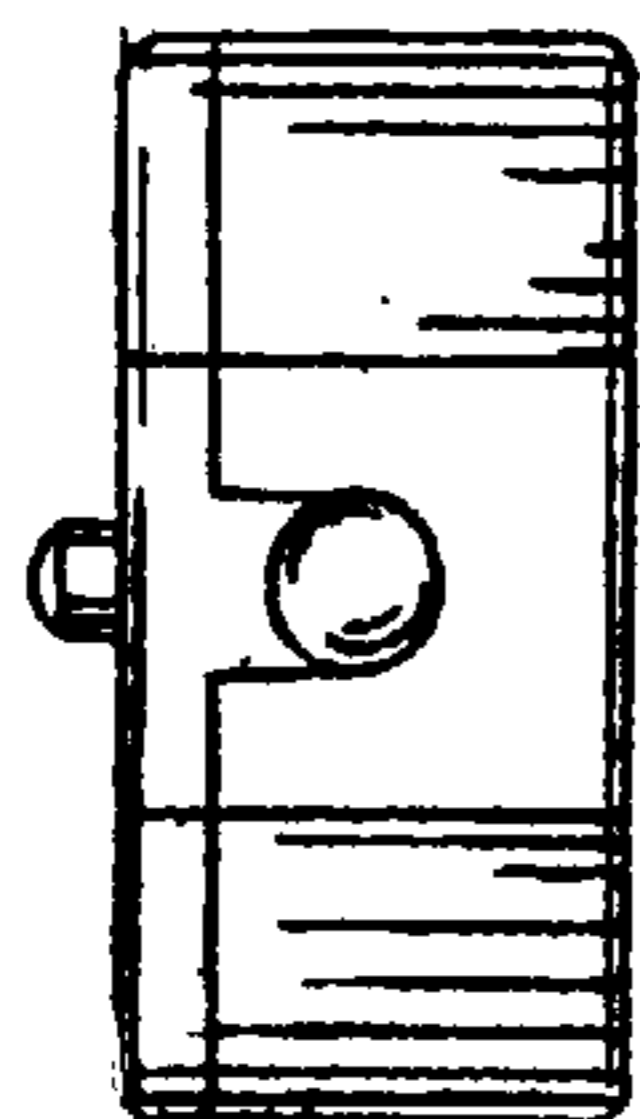


FIG. 13

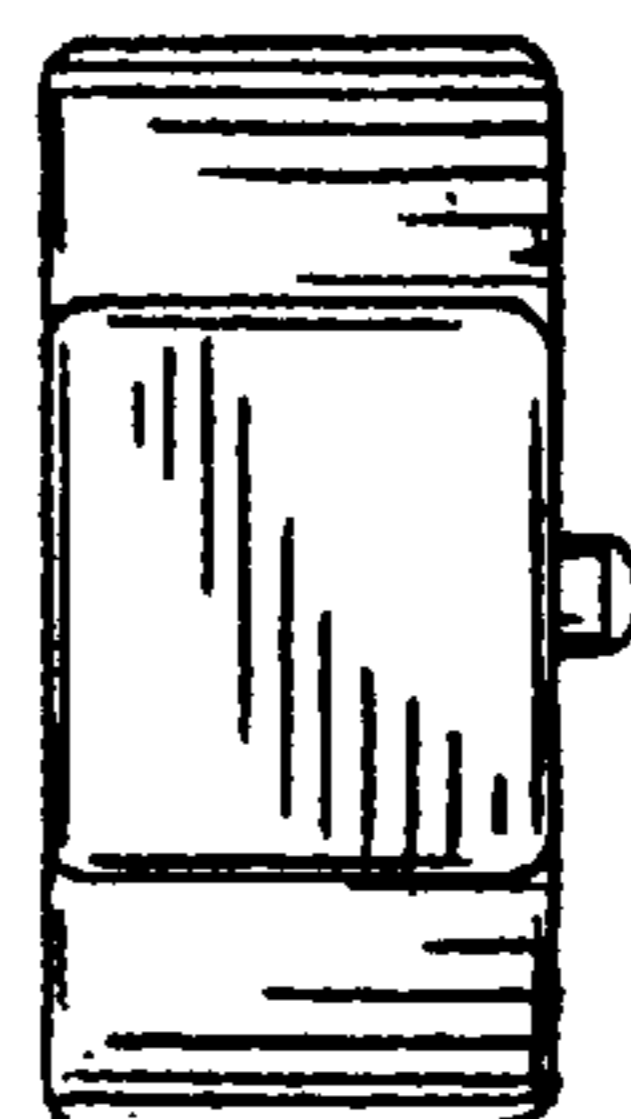


FIG. 14