



US00D484904S

(12) **United States Design Patent**
Naitou

(10) **Patent No.:** **US D484,904 S**

(45) **Date of Patent:** **** Jan. 6, 2004**

(54) **CAMERA**

(75) **Inventor:** **Yoshitaka Naitou, Tokyo (JP)**

(73) **Assignee:** **Olympus Corporation, Tokyo (JP)**

(**) **Term:** **14 Years**

(21) **Appl. No.:** **29/175,445**

(22) **Filed:** **Feb. 4, 2003**

(30) **Foreign Application Priority Data**

Aug. 12, 2002 (JP) 2002-021690

(51) **LOC (7) Cl.** **16-01**

(52) **U.S. Cl.** **D16/218; D16/202**

(58) **Field of Search** **D16/200-206,**
D16/208, 209, 212, 218; 348/373-376;
358/909.1; 396/535-541

(56) **References Cited**

U.S. PATENT DOCUMENTS

4,406,533 A * 9/1983 Yamamoto 396/206
D424,085 S * 5/2000 Naito D16/202
D430,187 S * 8/2000 Naito D16/218

D441,001 S * 4/2001 Naito D16/218
D442,203 S * 5/2001 Suzuki et al. D16/202
D456,430 S * 4/2002 Kobayashi et al. D16/202

* cited by examiner

Primary Examiner—Adir Aronovich

(74) *Attorney, Agent, or Firm*—Hogan & Hartson LLP

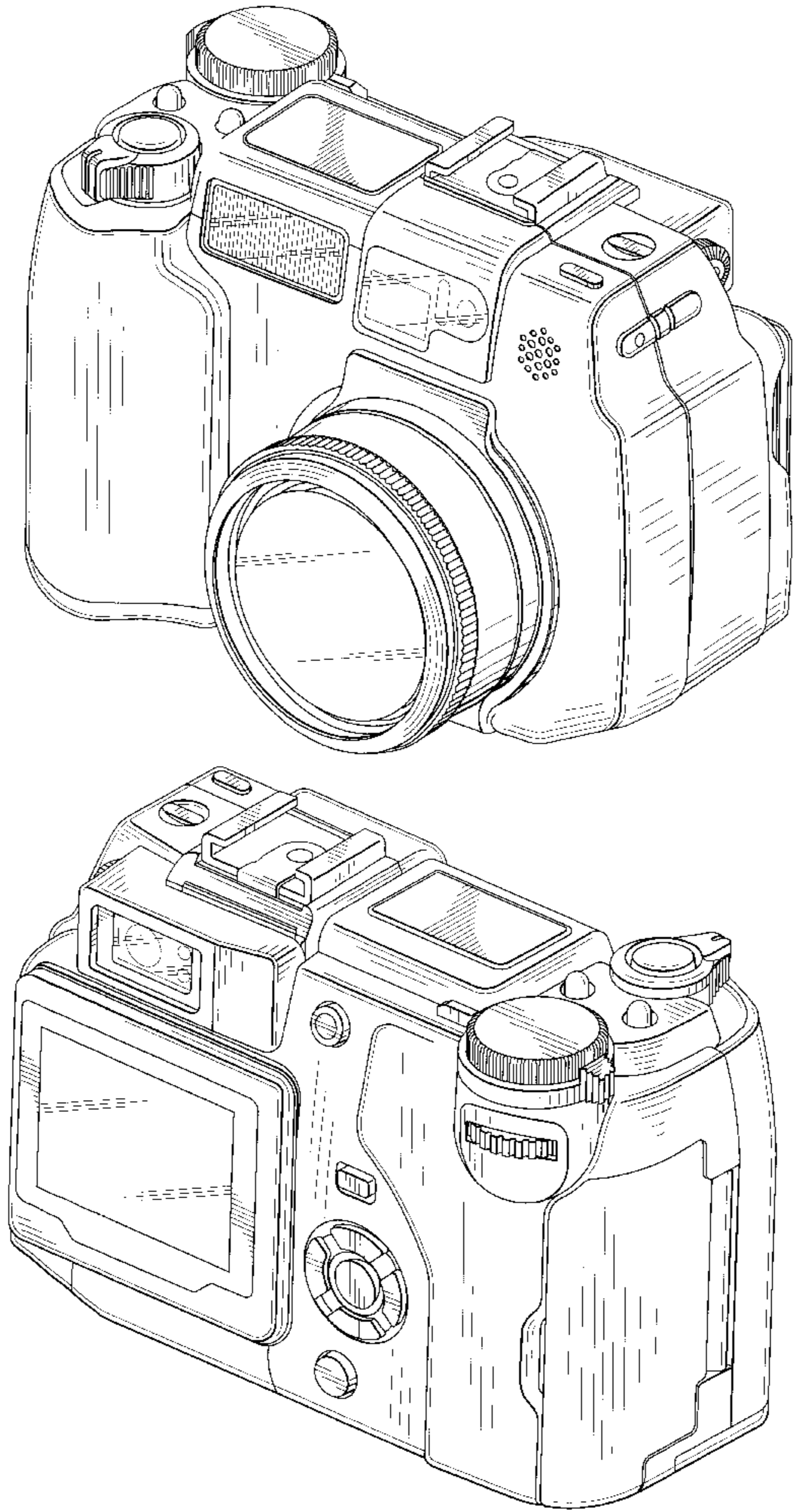
(57) **CLAIM**

The ornamental design for a camera, as shown and described.

DESCRIPTION

FIG. 1 is a right, top, front perspective view of a camera.
FIG. 2 is a left, top, rear perspective view of the camera thereof.
FIG. 3 is a front elevation view of the camera thereof.
FIG. 4 is a left side elevation view of the camera thereof.
FIG. 5 is a right side elevation view of the camera thereof.
FIG. 6 is a rear elevation view of the camera thereof.
FIG. 7 is a top plan view of the camera thereof.
FIG. 8 is a bottom plan view of the camera thereof; and,
FIG. 9 is a left, top, rear perspective view of the camera with crystal display (LCD) open thereof.

1 Claim, 9 Drawing Sheets



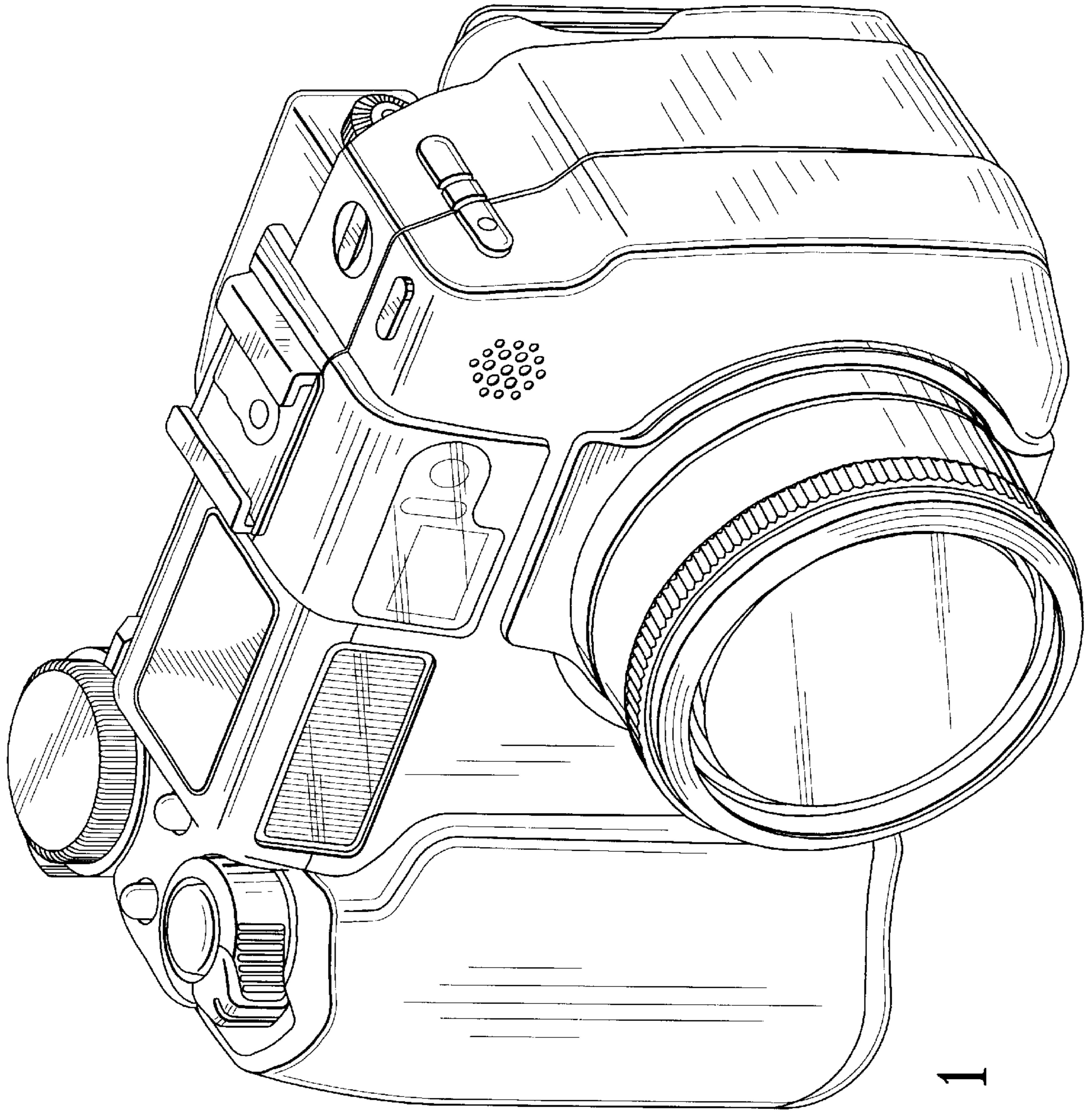


FIG. 1

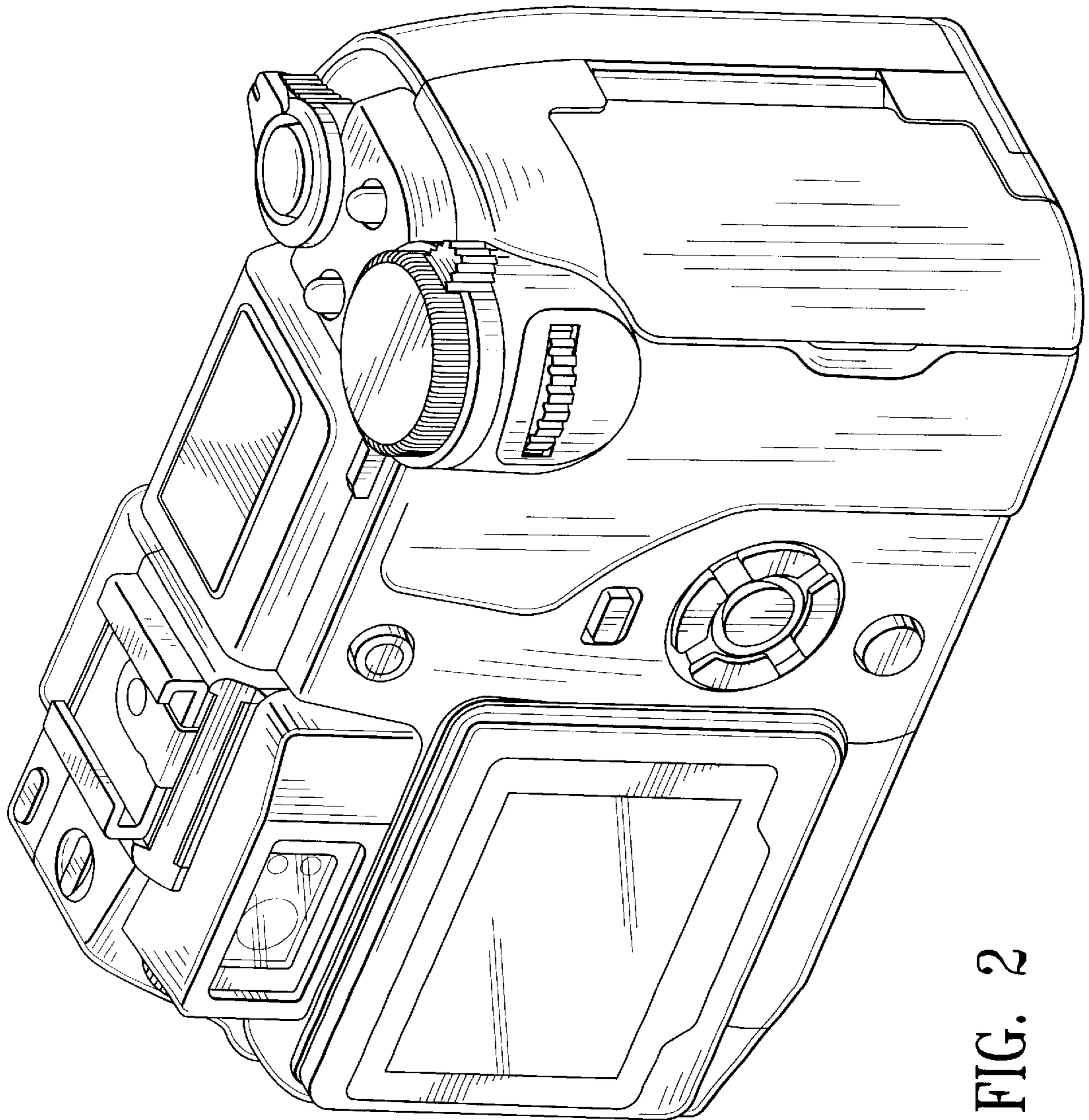


FIG. 2

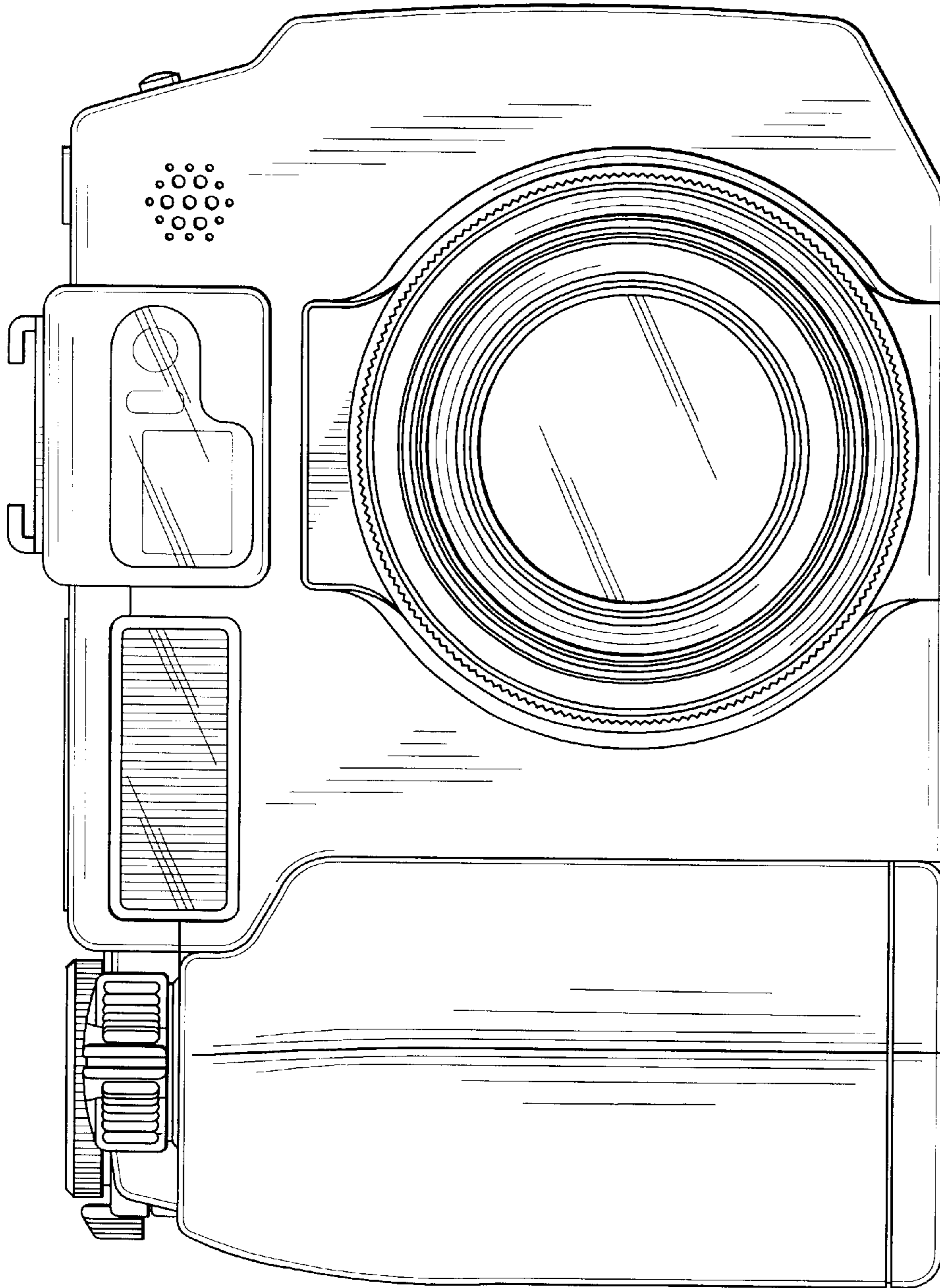


FIG. 3

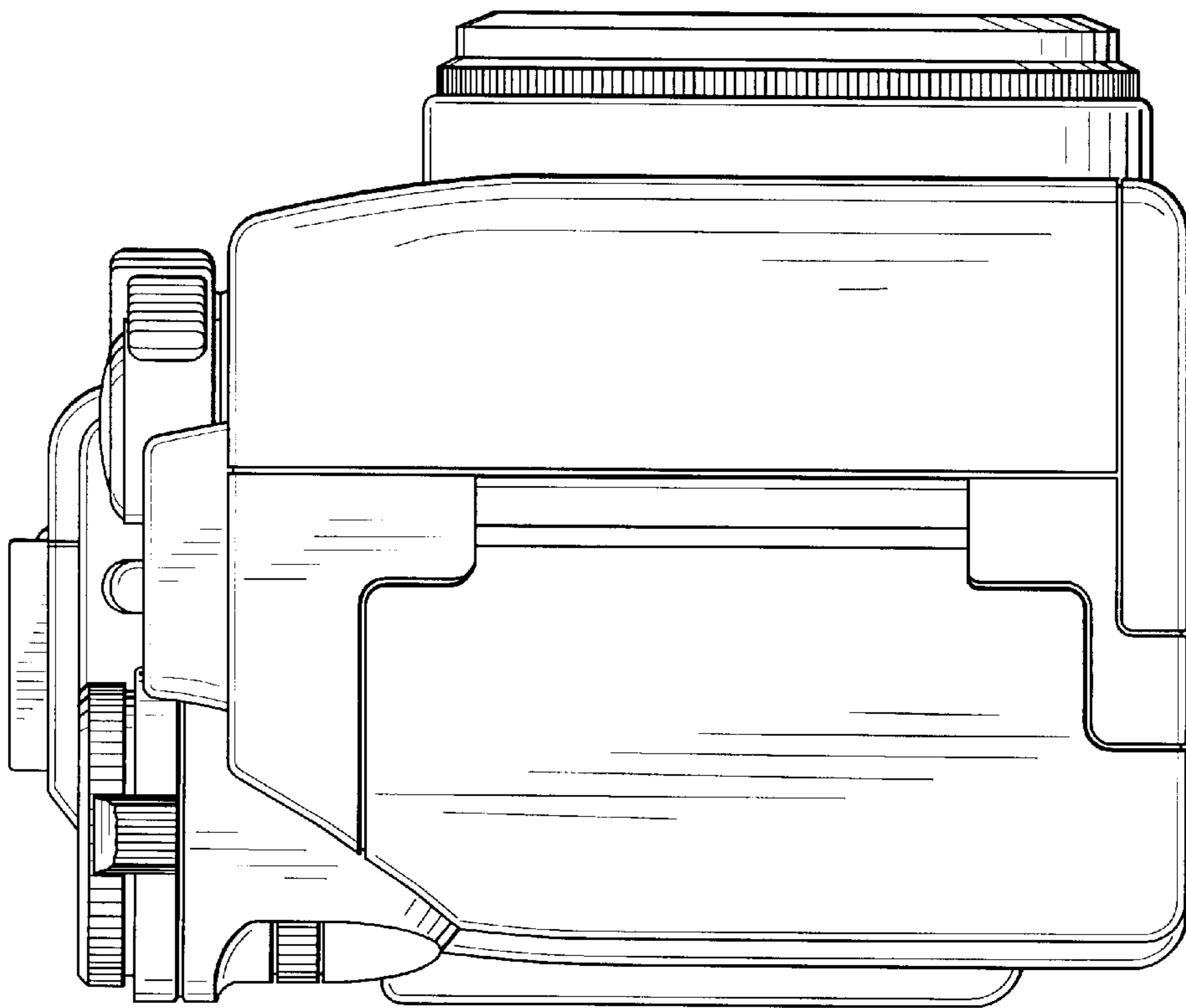


FIG. 4

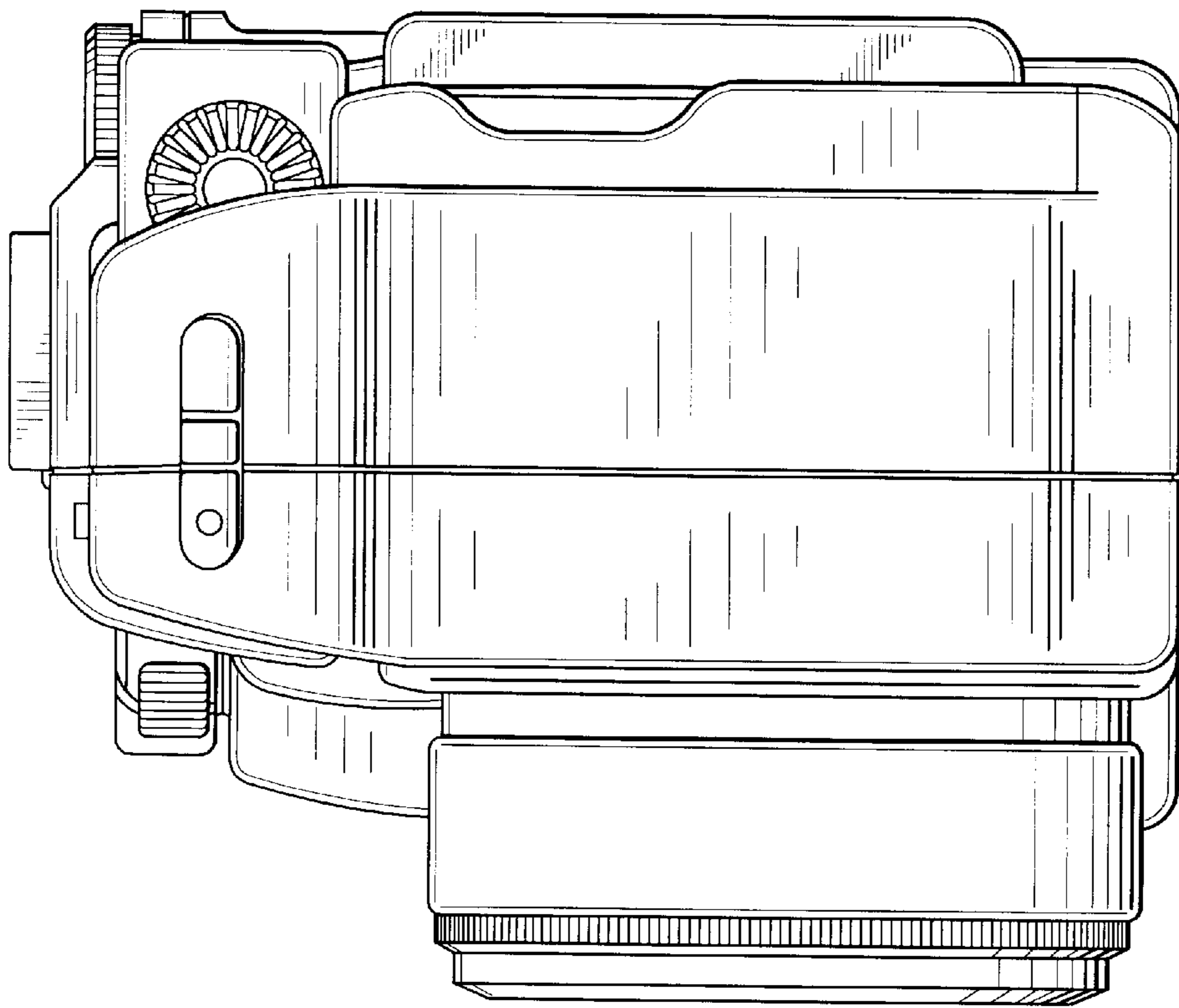


FIG. 5

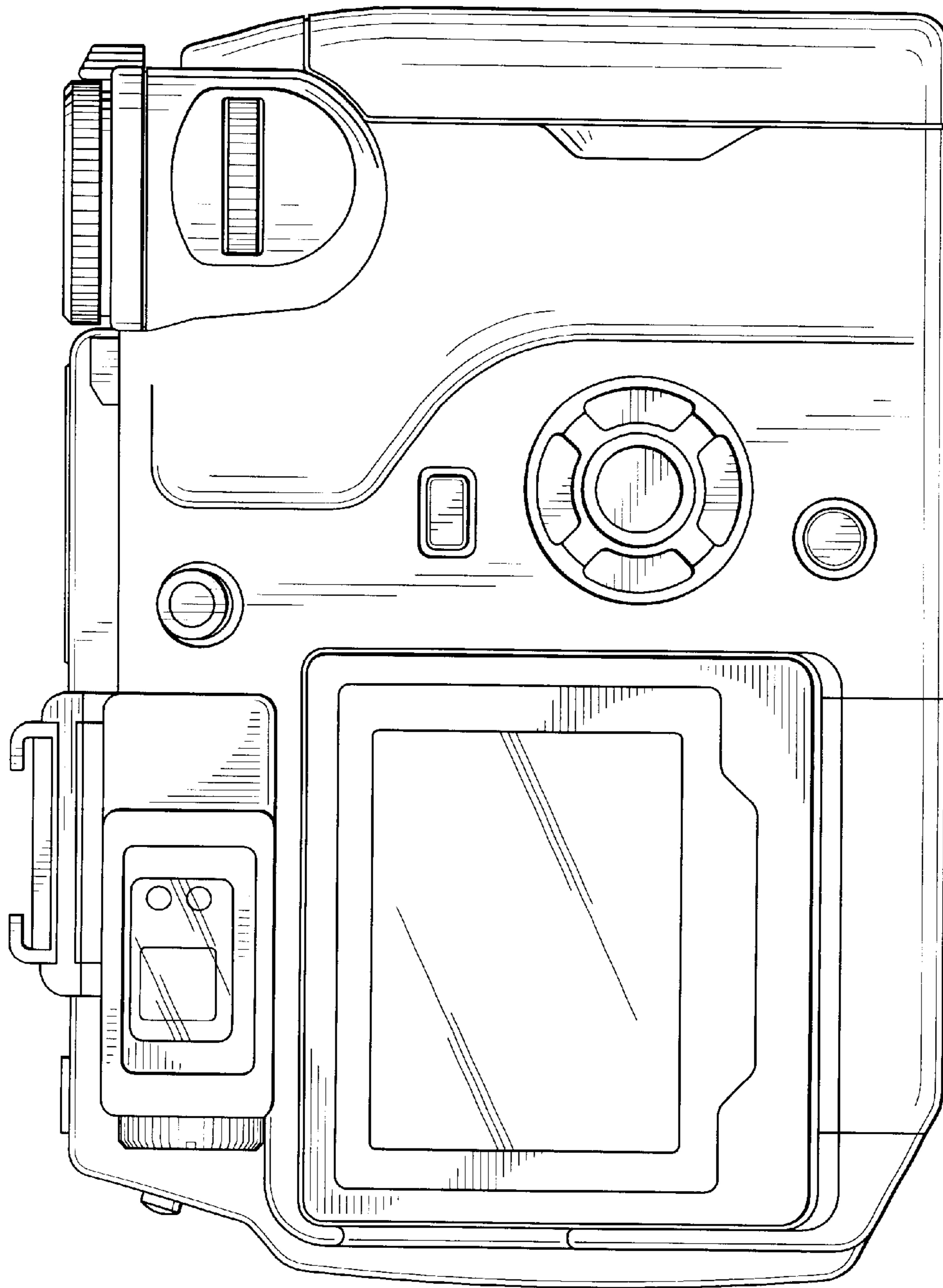


FIG. 6

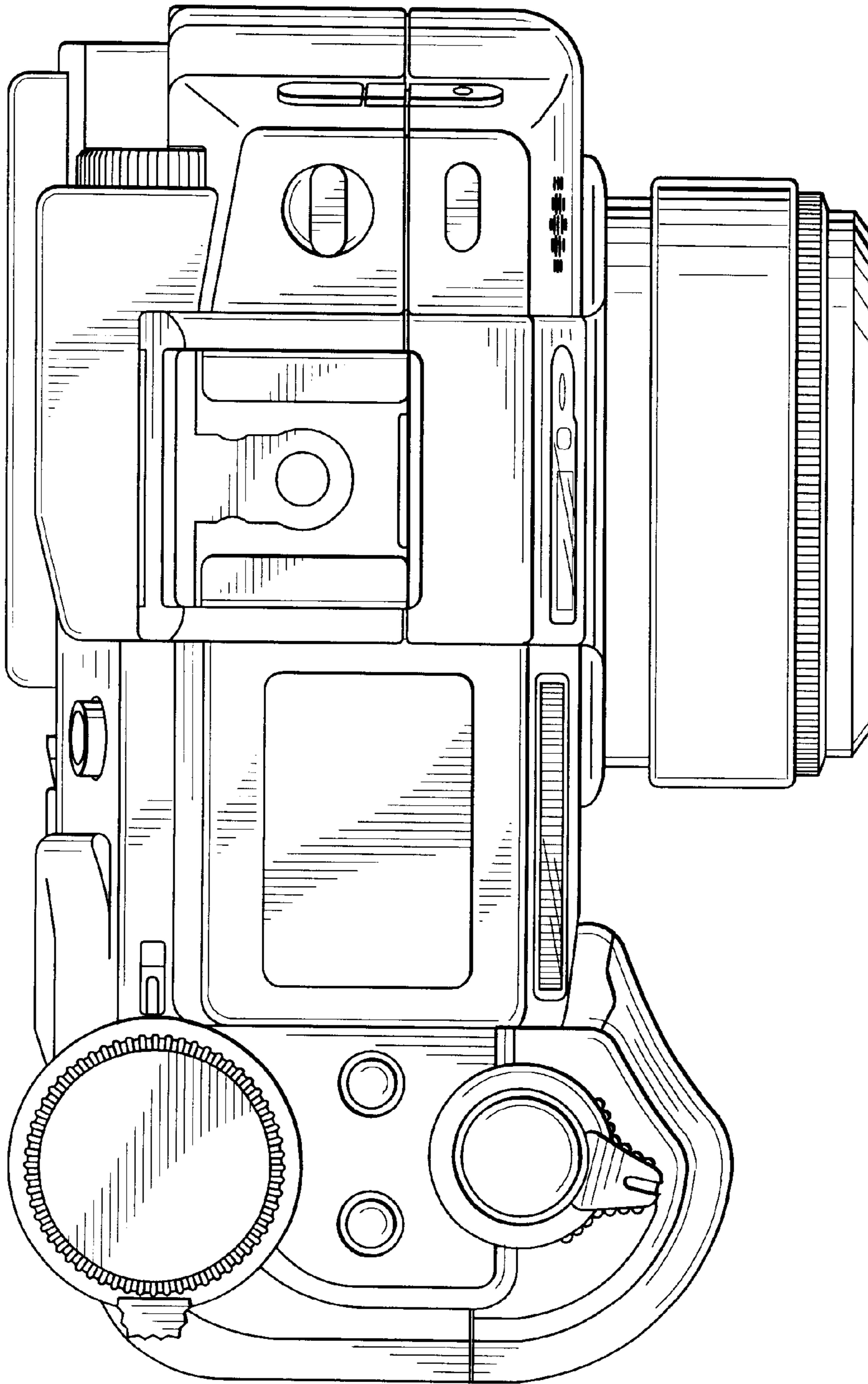


FIG. 7

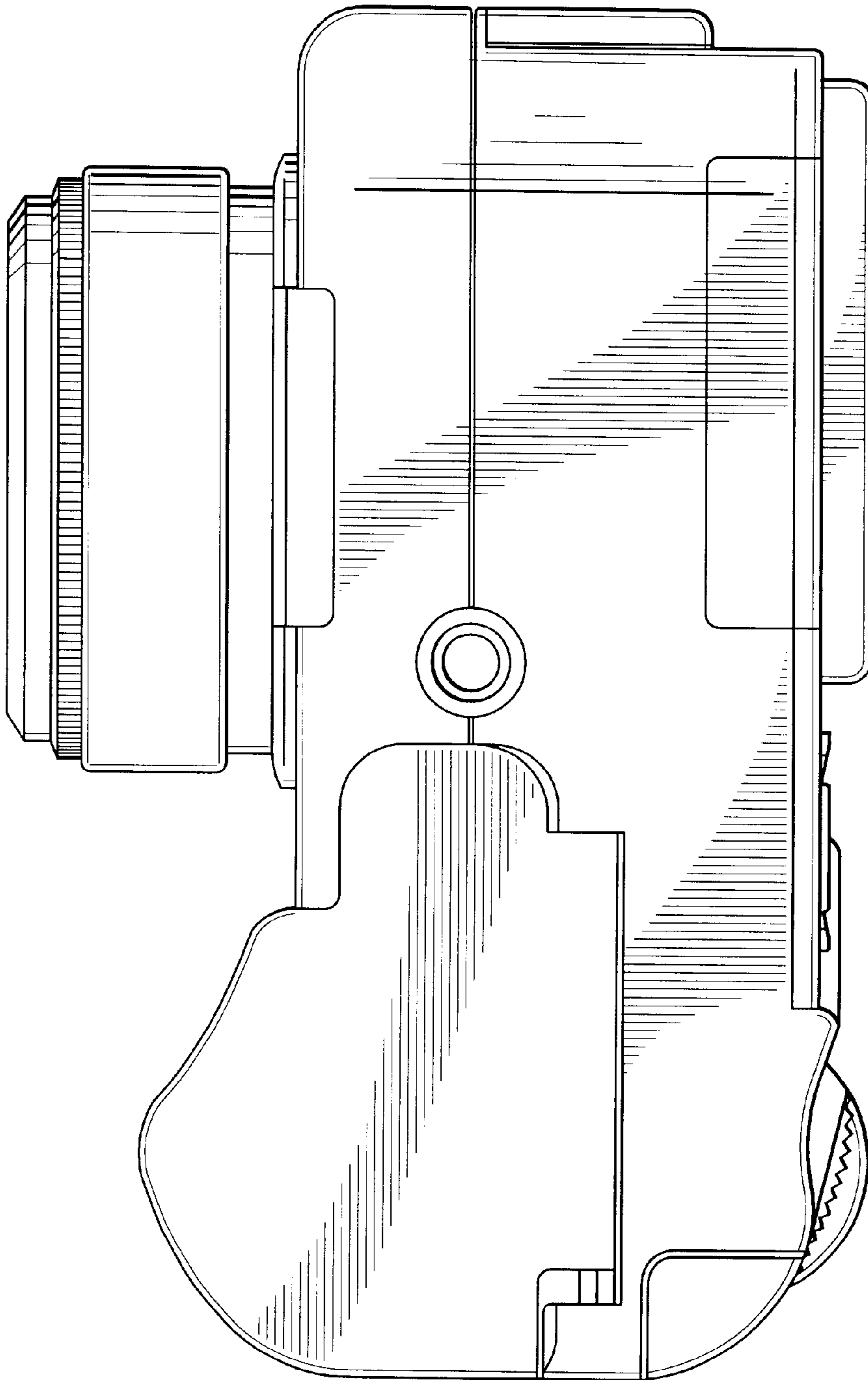


FIG. 8

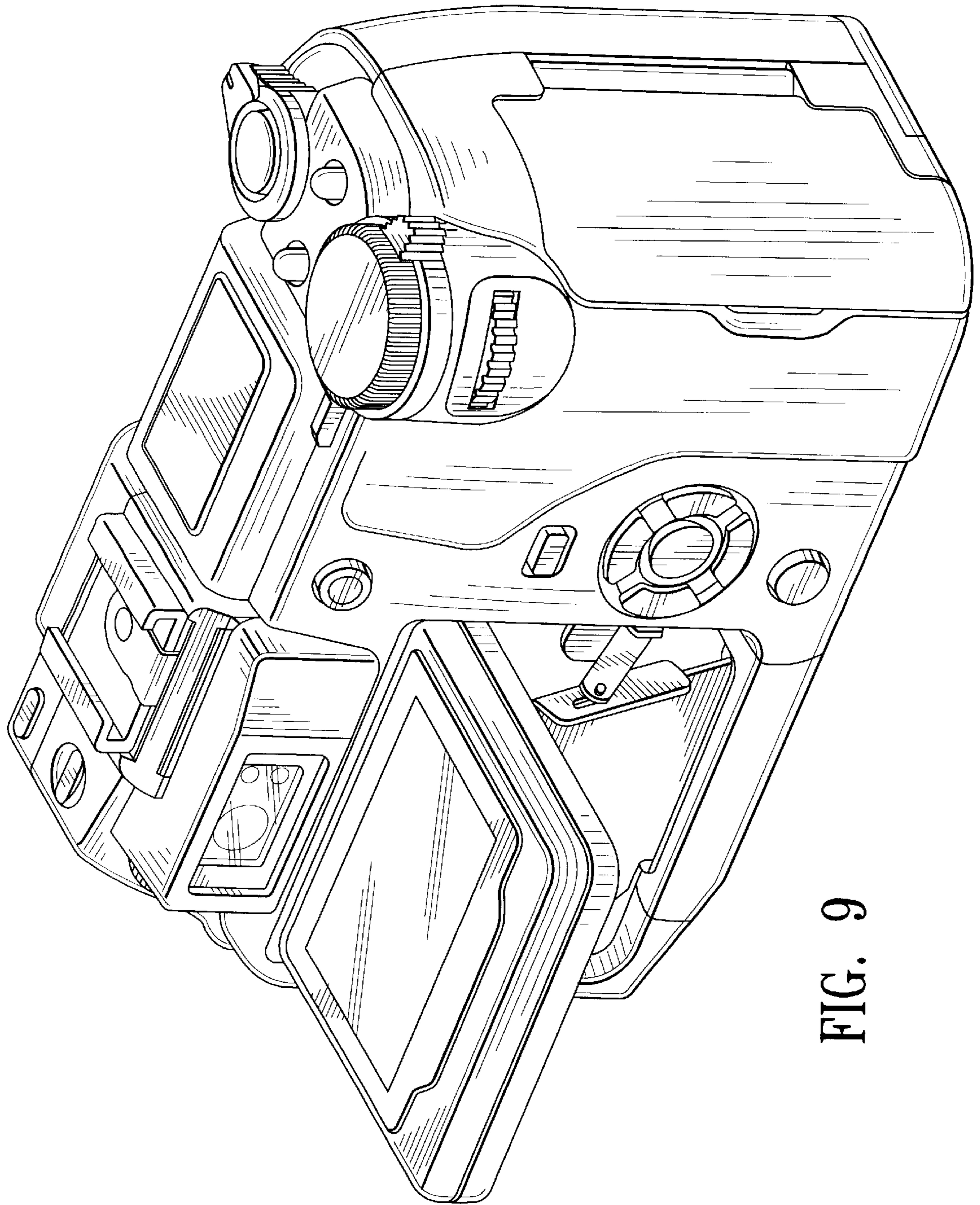


FIG. 9