



US00D484903S

(12) **United States Design Patent**
Cheng

(10) **Patent No.:** **US D484,903 S**

(45) **Date of Patent:** **** Jan. 6, 2004**

(54) **CAMERA**

(76) **Inventor:** **Yi-Jen Cheng**, 9F, No. 21, Sec. 2,
Chongder 2 Rd., Taichung (TW)

(**) **Term:** **14 Years**

(21) **Appl. No.:** **29/175,752**

(22) **Filed:** **Feb. 10, 2003**

(51) **LOC (7) Cl.** **16-01**

(52) **U.S. Cl.** **D16/203**

(58) **Field of Search** D16/200-204,
D16/208, 218; 248/176.1, 177.1, 187.1,
183.4; 348/143, 156, 373-376; 358/906;
396/25, 419, 427, 433

(56) **References Cited**

U.S. PATENT DOCUMENTS

5,224,675	A	*	7/1993	Ellenberger et al.	248/183.4
D378,095	S	*	2/1997	Hasegawa	D16/203
D392,300	S	*	3/1998	Chow et al.	D16/203
D428,618	S	*	7/2000	McBride	D16/203
D430,888	S	*	9/2000	Adachi et al.	D16/203
D434,057	S	*	11/2000	Whitby et al.	D16/202
D438,227	S	*	2/2001	Grotto	D16/203

D472,260 S * 3/2003 Higgins et al. D16/203

* cited by examiner

Primary Examiner—Adir Aronovich

(74) *Attorney, Agent, or Firm*—William E. Pelton, Esq.

(57) **CLAIM**

The ornamental design for a camera, as shown and described.

DESCRIPTION

FIG. 1 is a perspective view of a camera showing my new design;

FIG. 2 is a front elevational view thereof;

FIG. 3 is a rear elevational view thereof;

FIG. 4 is a left side view thereof;

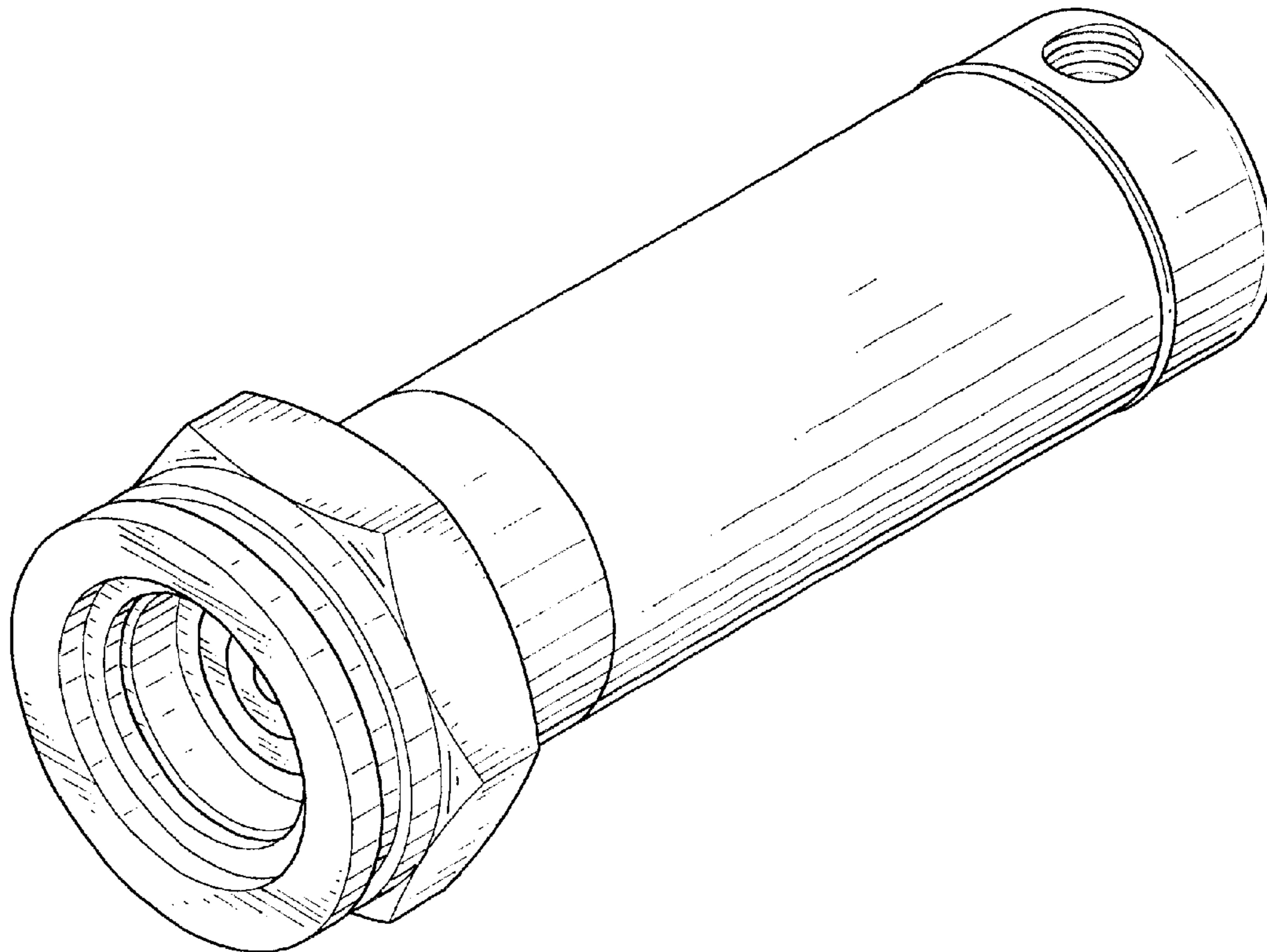
FIG. 5 is a right side view thereof;

FIG. 6 is a top plan view thereof;

FIG. 7 is a bottom plan view thereof; and,

FIG. 8 is a referential perspective view of the camera attached to a camera base, wherein the broken lines are shown for illustrative purposes and form no part of the claimed design.

1 Claim, 5 Drawing Sheets



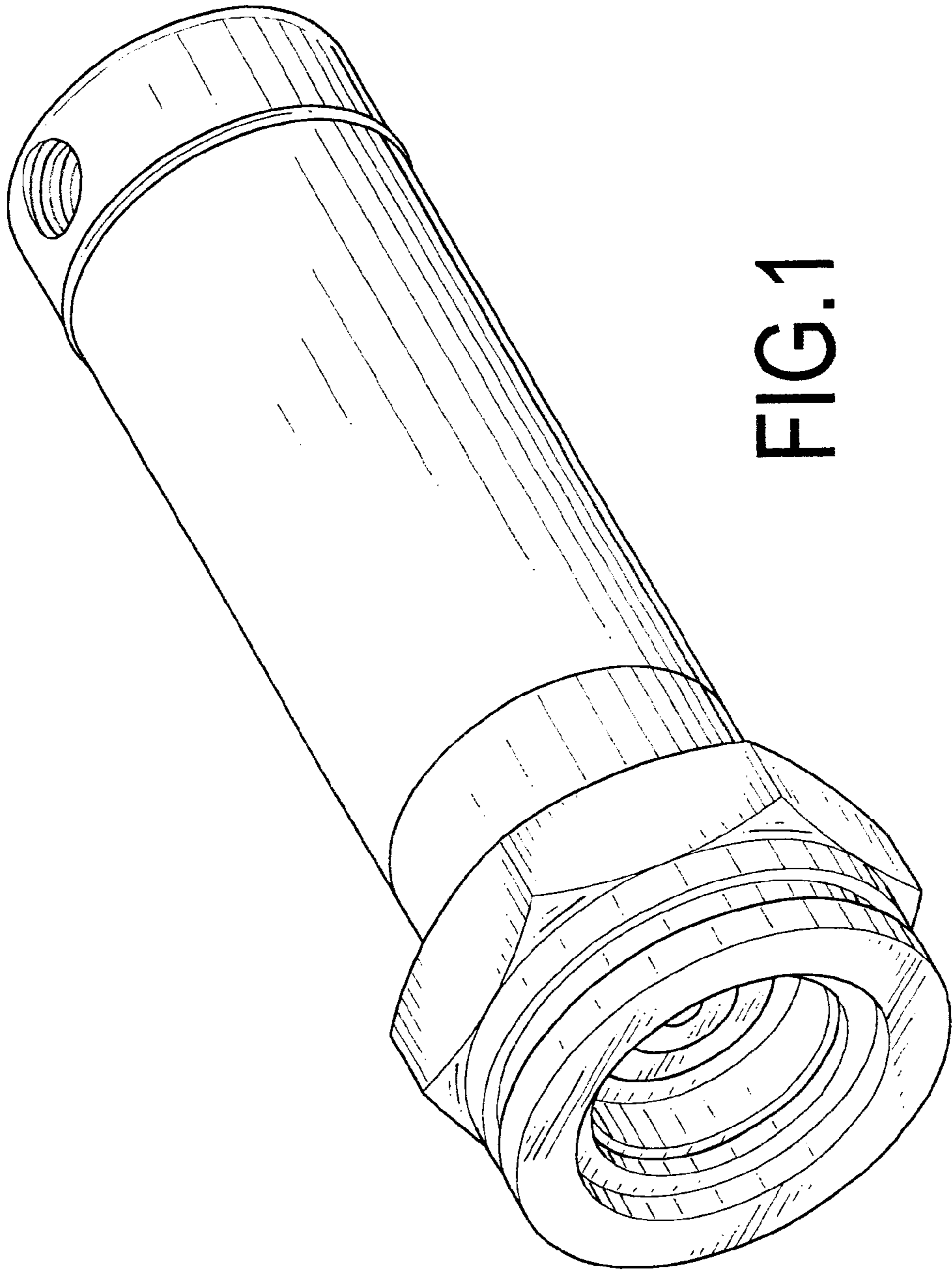


FIG. 1

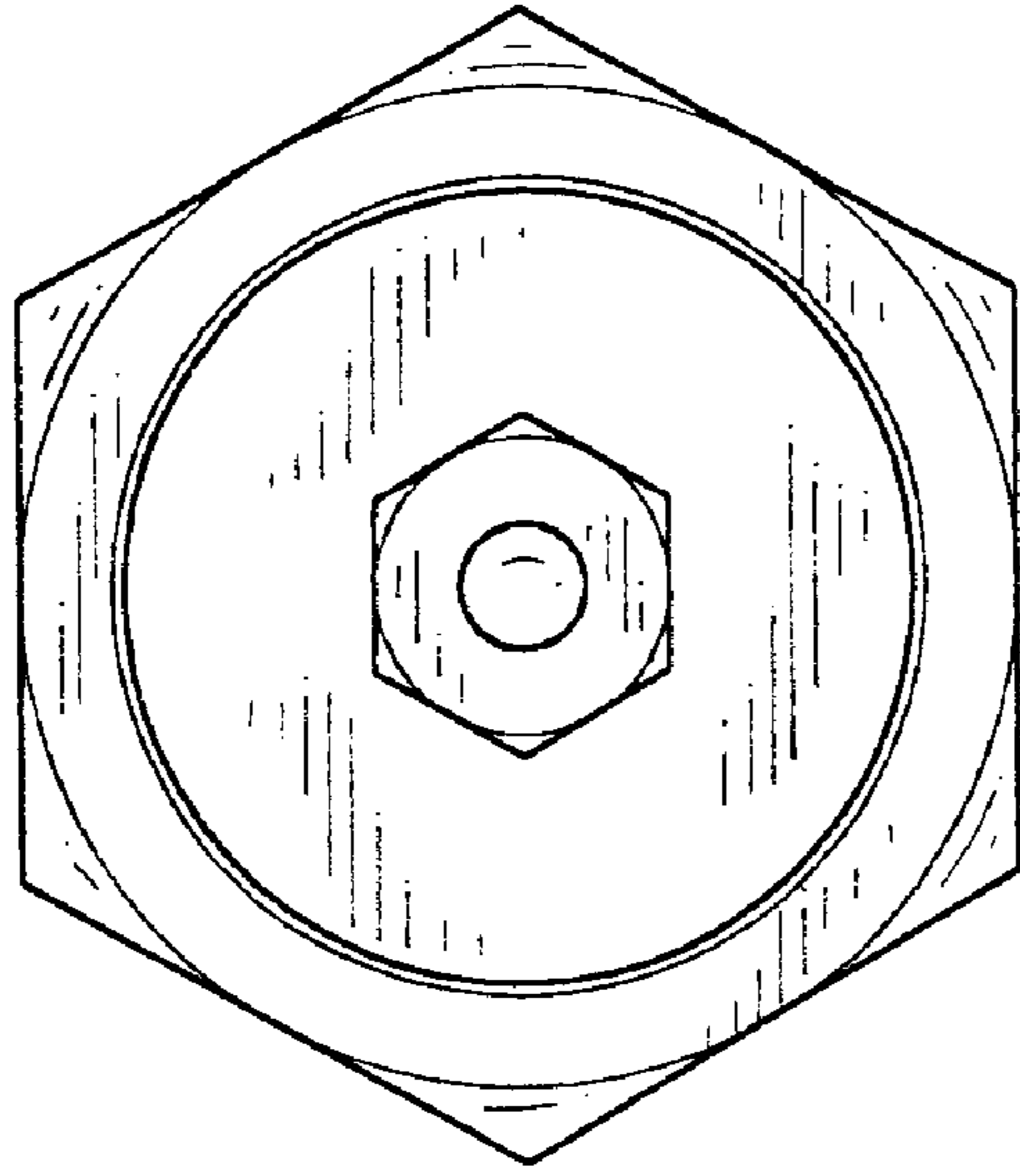


FIG. 2

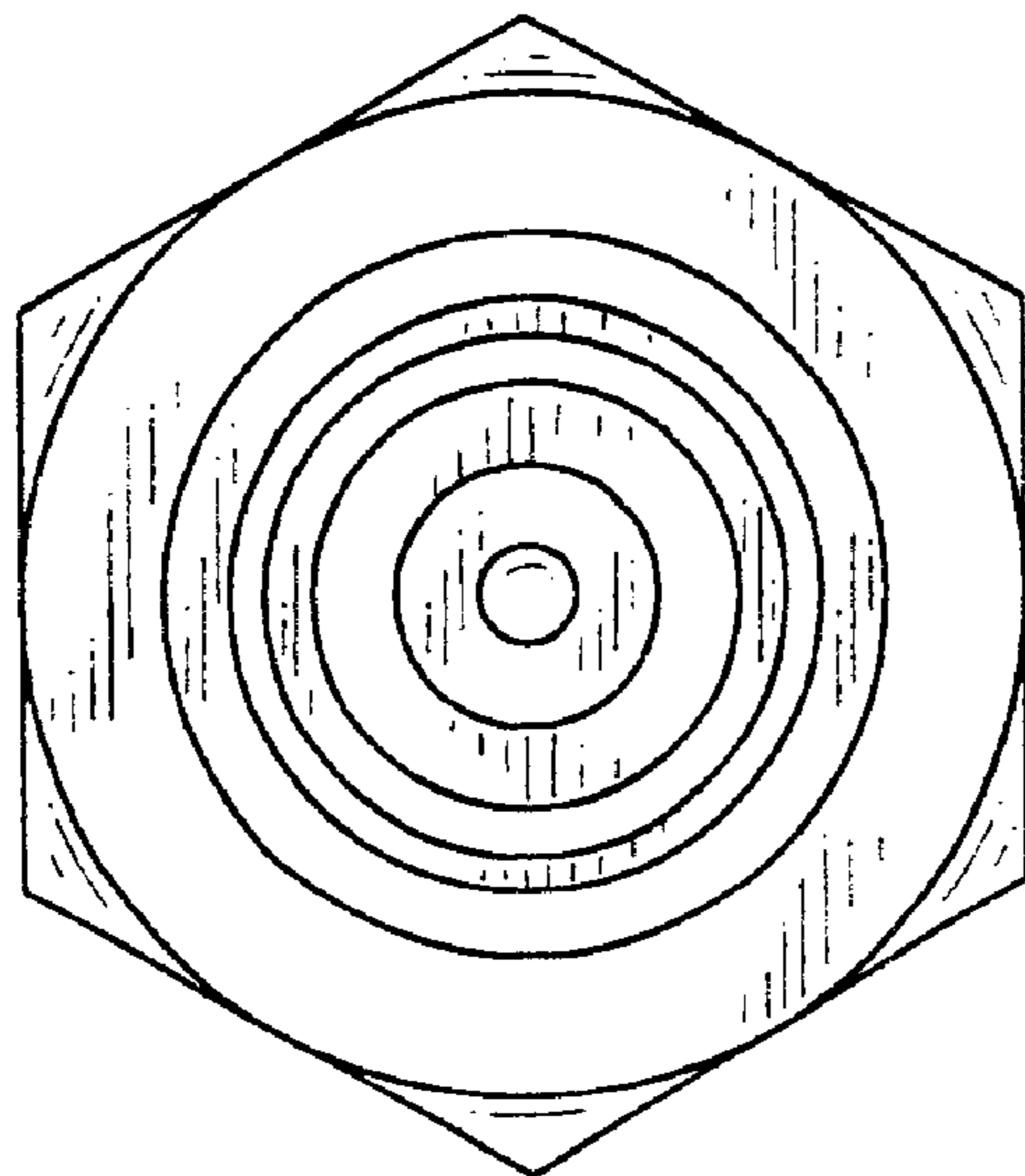


FIG. 3

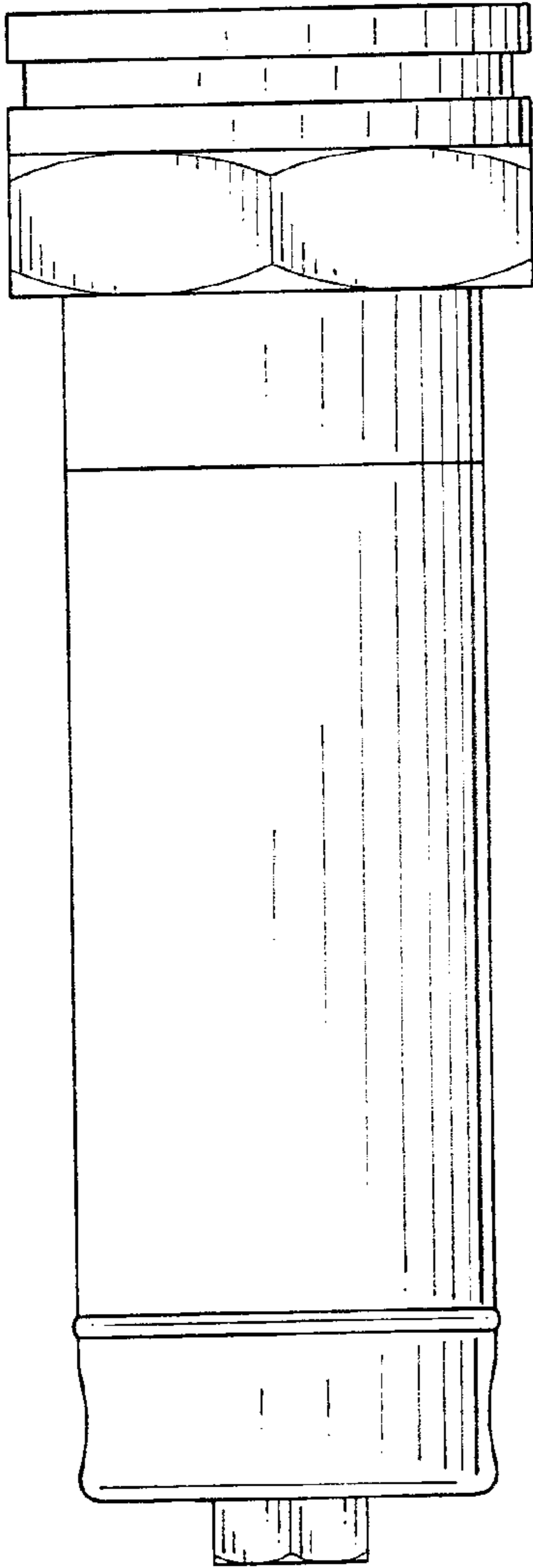


FIG. 4

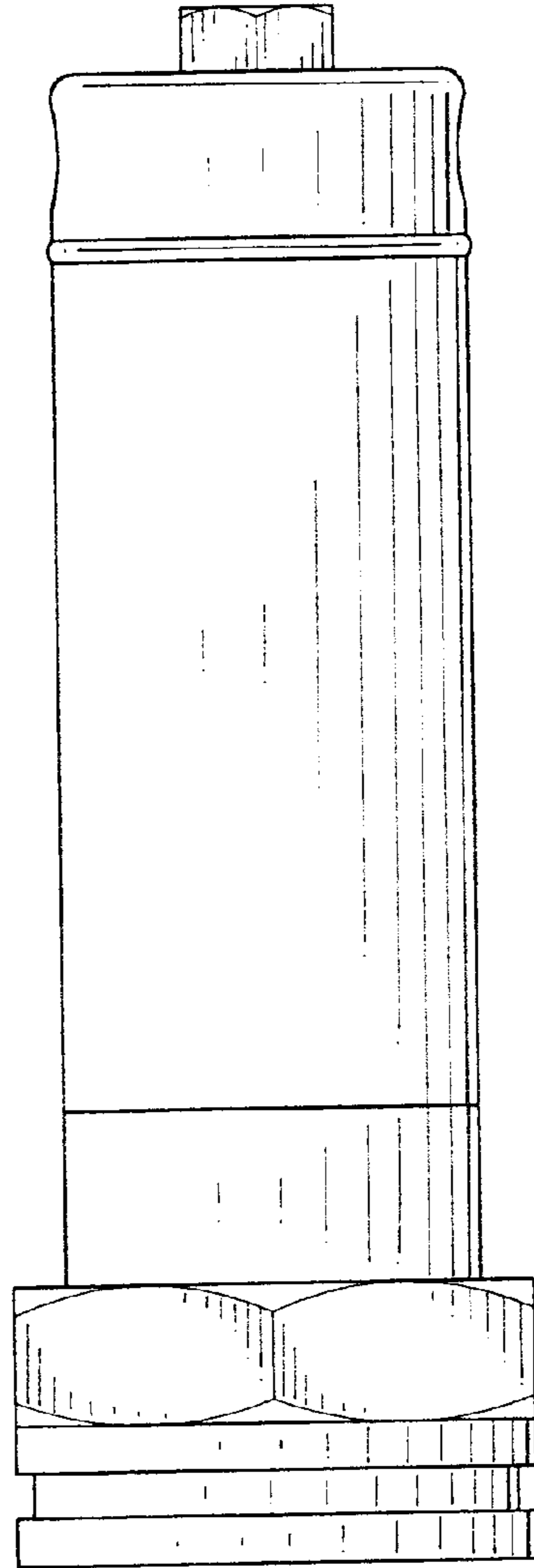


FIG. 5

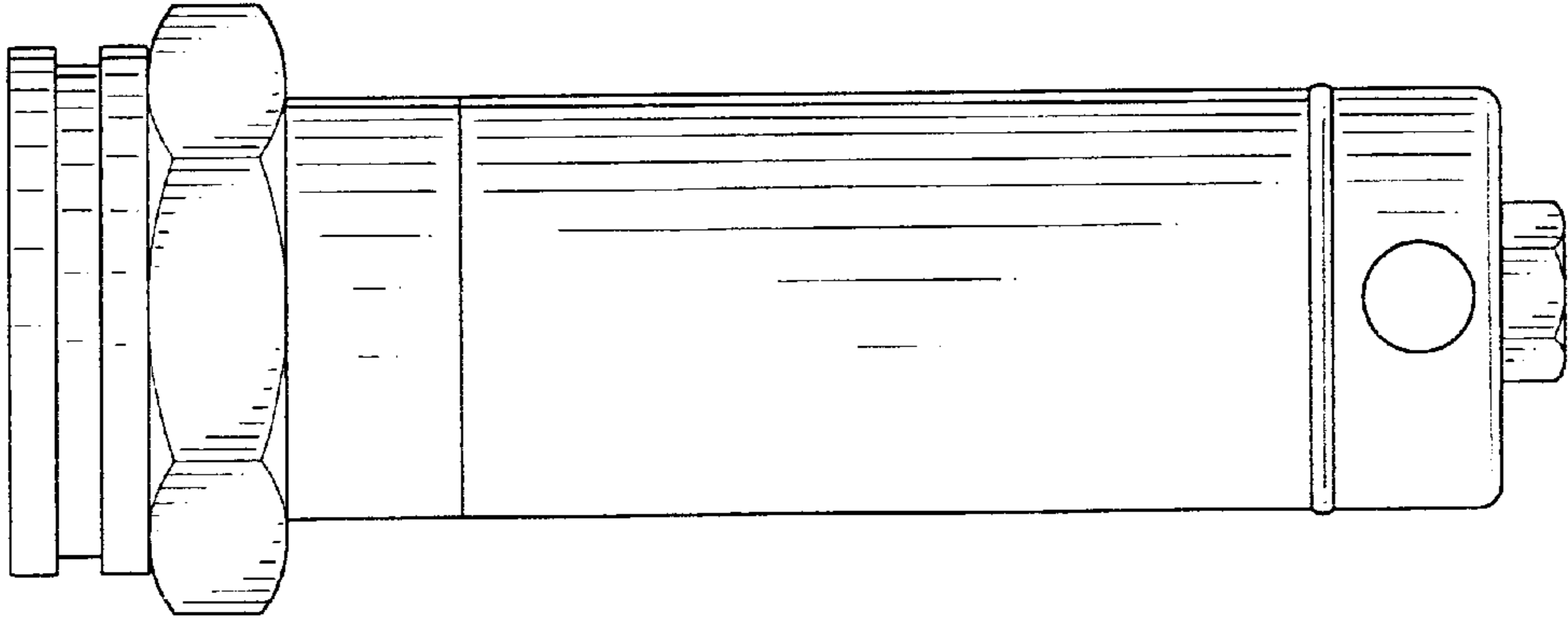


FIG. 7

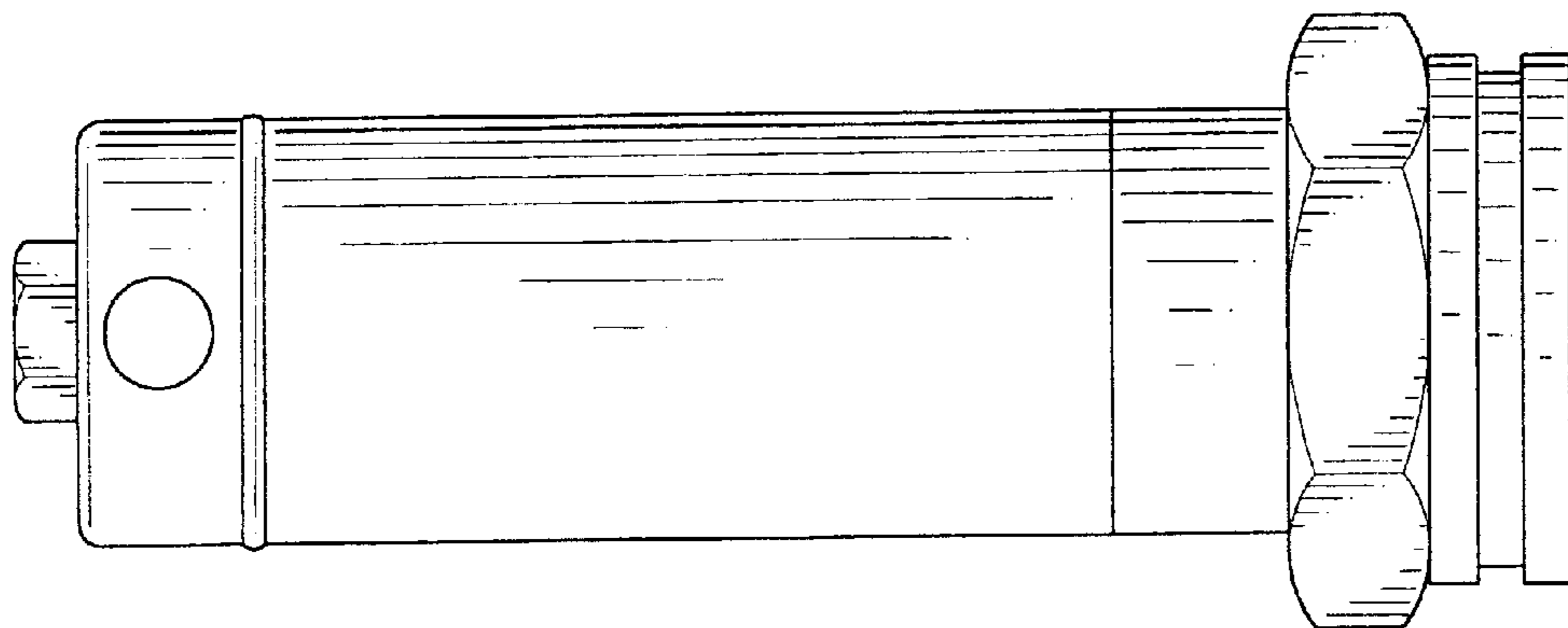


FIG. 6

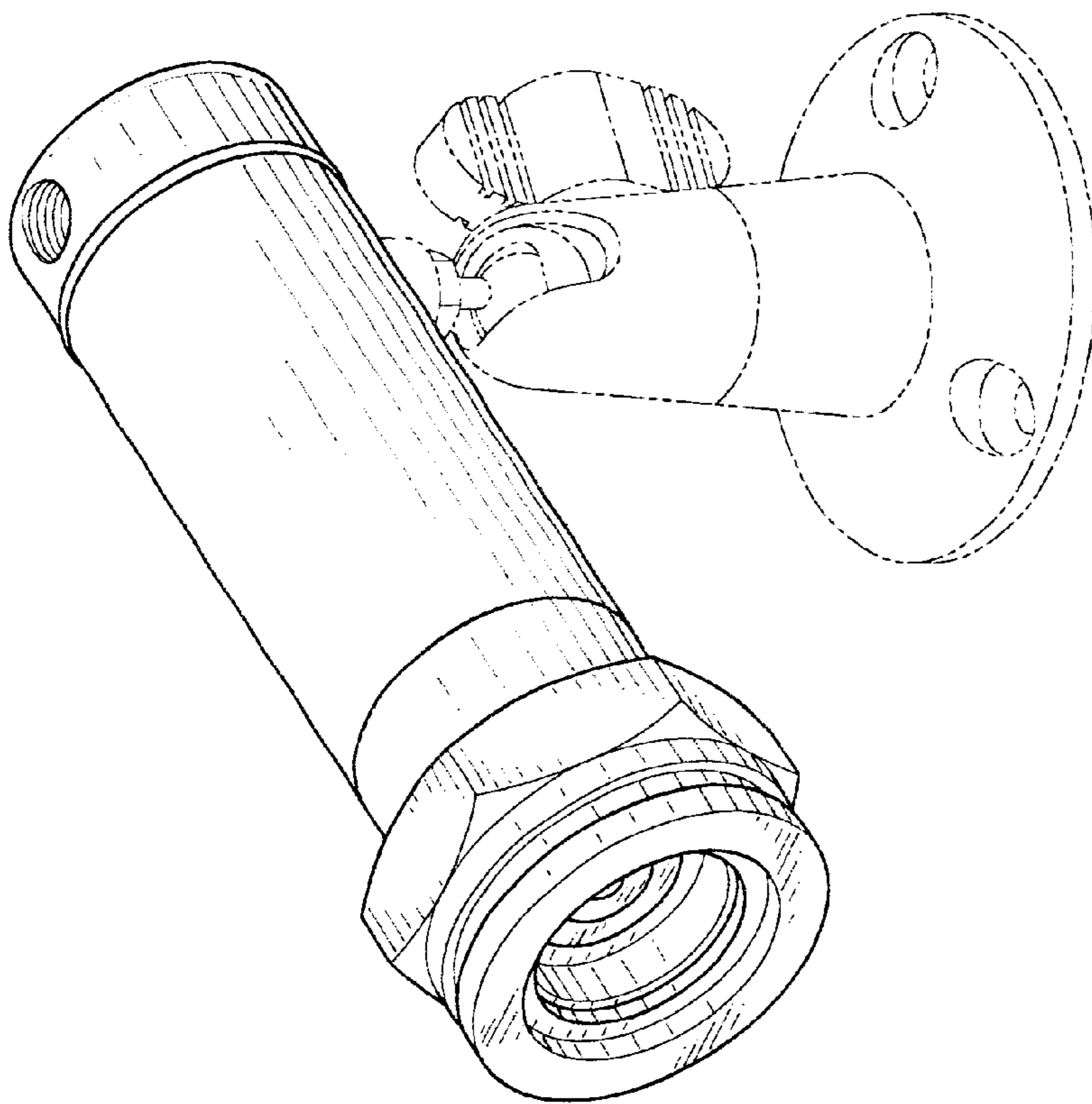


FIG. 8