



US00D484902S

(12) **United States Design Patent**
Baba

(10) **Patent No.:** **US D484,902 S**

(45) **Date of Patent:** **** Jan. 6, 2004**

(54) **DIGITAL CAMERA**

(75) Inventor: **Kenji Baba**, Osaka (JP)
(73) Assignee: **Minolta Co., Ltd.**, Osaka (JP)
(**) Term: **14 Years**

(21) Appl. No.: **29/175,871**
(22) Filed: **Feb. 13, 2003**

(51) **LOC (7) Cl.** **16-01**
(52) **U.S. Cl.** **D16/202**
(58) **Field of Search** **D16/200-206,**
D16/208, 209, 218; 348/373-376; 358/906,
909.1; 396/535-541

(56) **References Cited**

U.S. PATENT DOCUMENTS

D387,078 S	*	12/1997	Akita	D16/202
D413,613 S	*	9/1999	Katayama	D16/202
D441,777 S		5/2001	Katayama		
6,434,337 B1	*	8/2002	Misawa	358/909.1
D475,071 S	*	5/2003	Nagano	D16/202
D475,072 S	*	5/2003	Yoshida	D16/202
D475,383 S	*	6/2003	Omino	D16/202

FOREIGN PATENT DOCUMENTS

JP	D1066852	4/2000
JP	D1078699	7/2000

OTHER PUBLICATIONS

Catalogue "FinePix 30i", Fuji Photo Film, Co., Ltd., Oct. 2001 (8 pages).
Catalogue "DiMAGE X", Minolta Co., Ltd., Jul. 8, 2002 (8 pages).
Catalogue "DiMAGE Xi", Minolta Co., Ltd., Sep. 20, 2002 (8 pages).

* cited by examiner

Primary Examiner—Adir Aronovich
(74) *Attorney, Agent, or Firm*—Burns, Doane, Swecker & Mathis, LLP

(57) **CLAIM**

The ornamental design for a digital camera, as shown and described.

DESCRIPTION

FIG. 1 is a front perspective view of a digital camera showing my new design;
FIG. 2 is a rear perspective view thereof;
FIG. 3 is a front view thereof;
FIG. 4 is a rear view thereof;
FIG. 5 is a left side view thereof;
FIG. 6 is a right side view thereof;
FIG. 7 is a top view thereof; and,
FIG. 8 is a bottom view thereof.

1 Claim, 4 Drawing Sheets

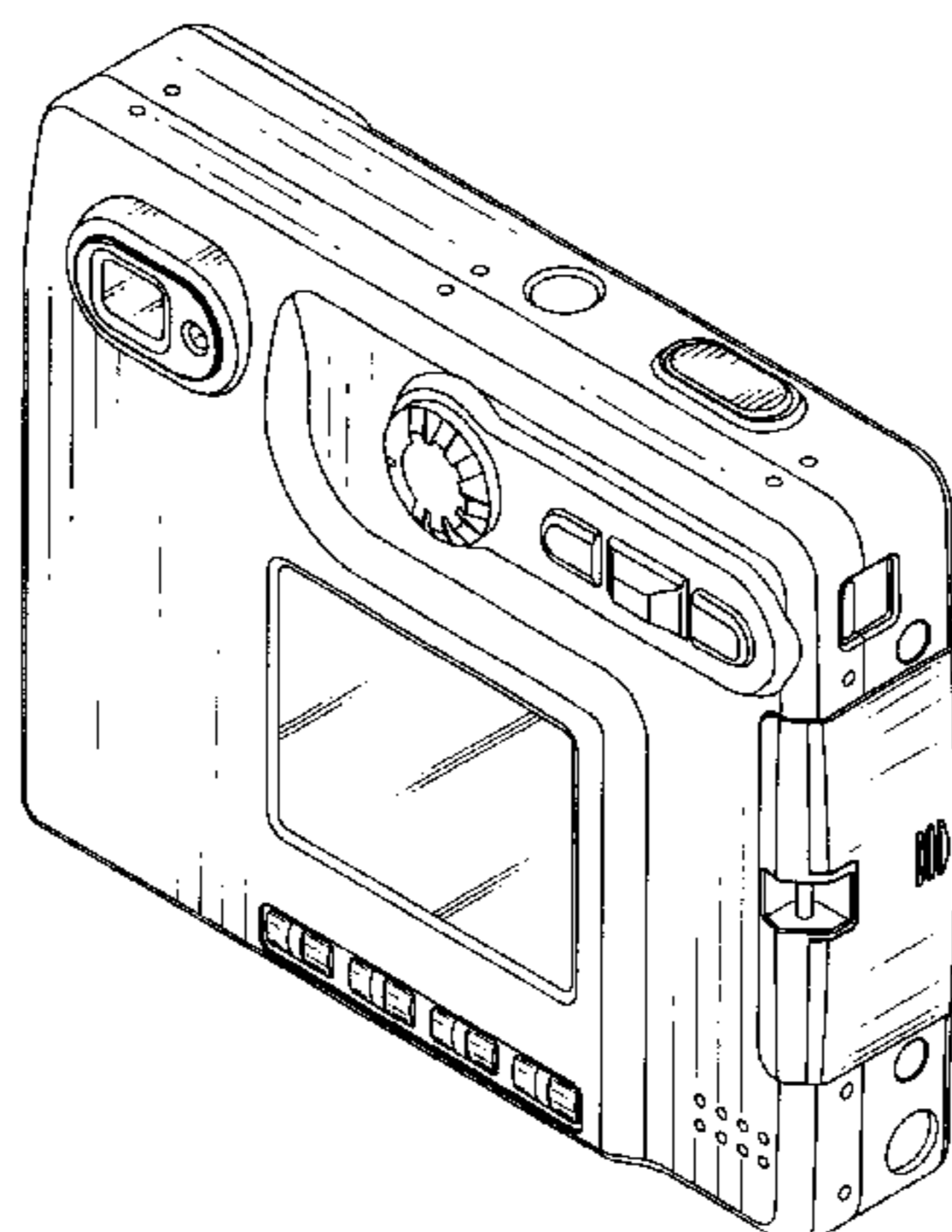
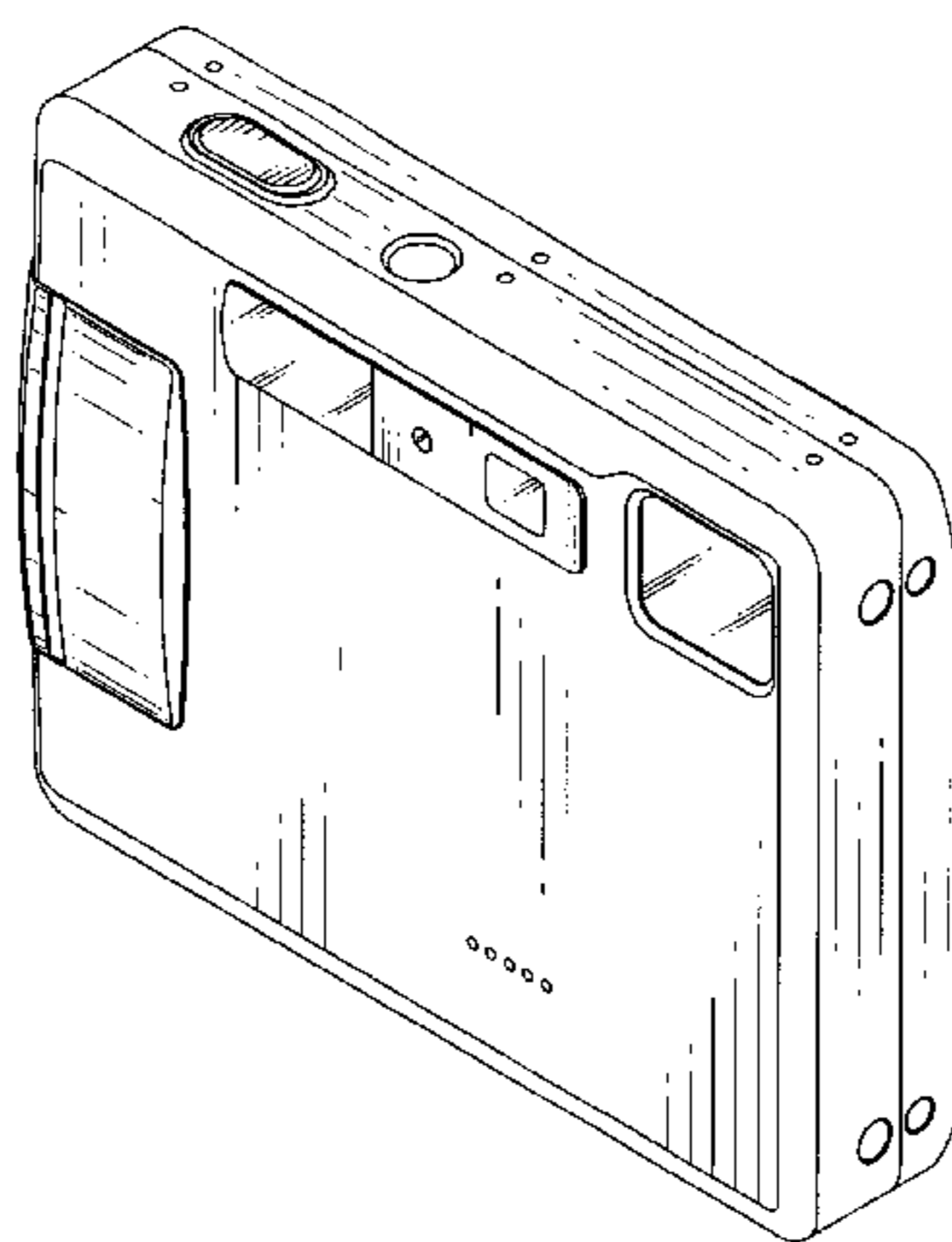


Fig. 1

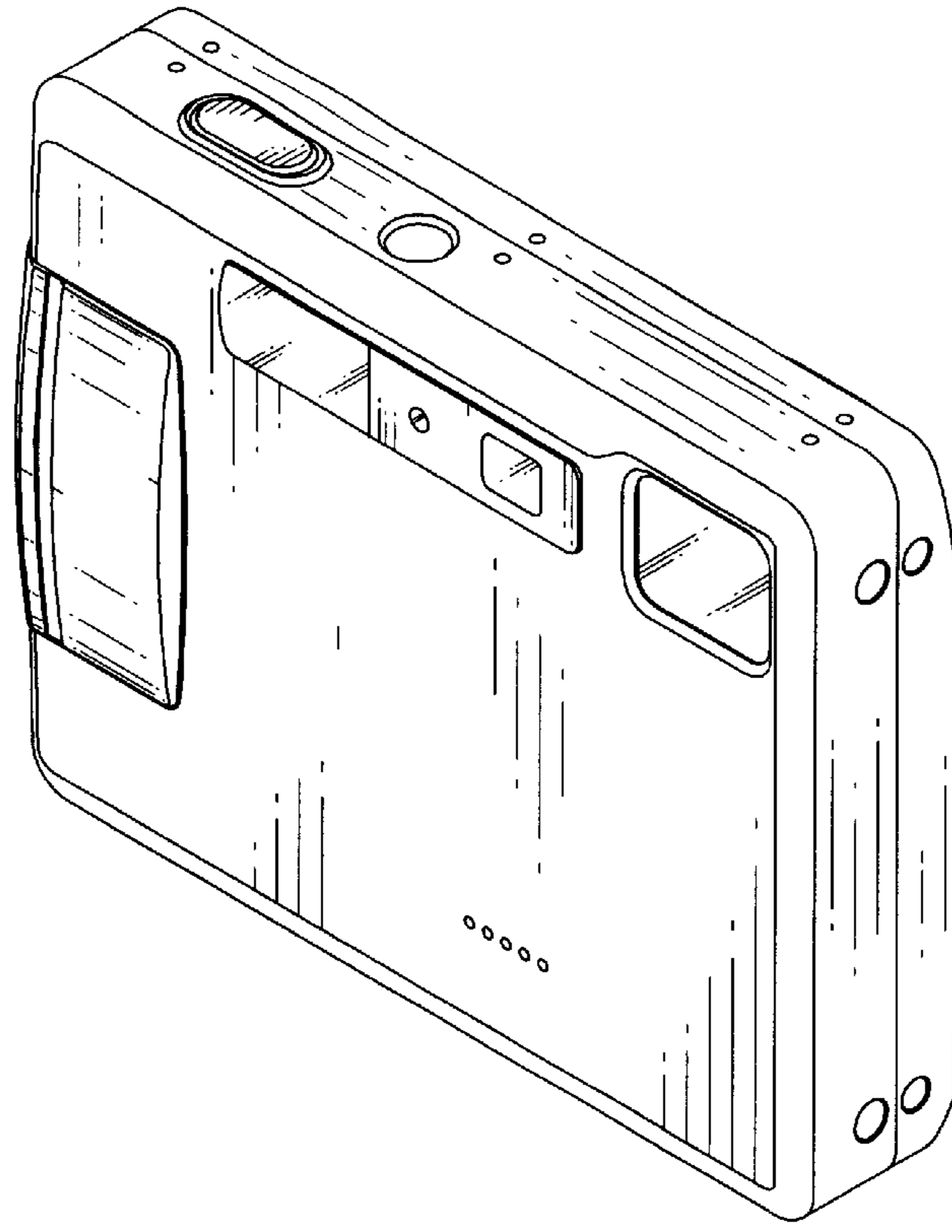


Fig. 2

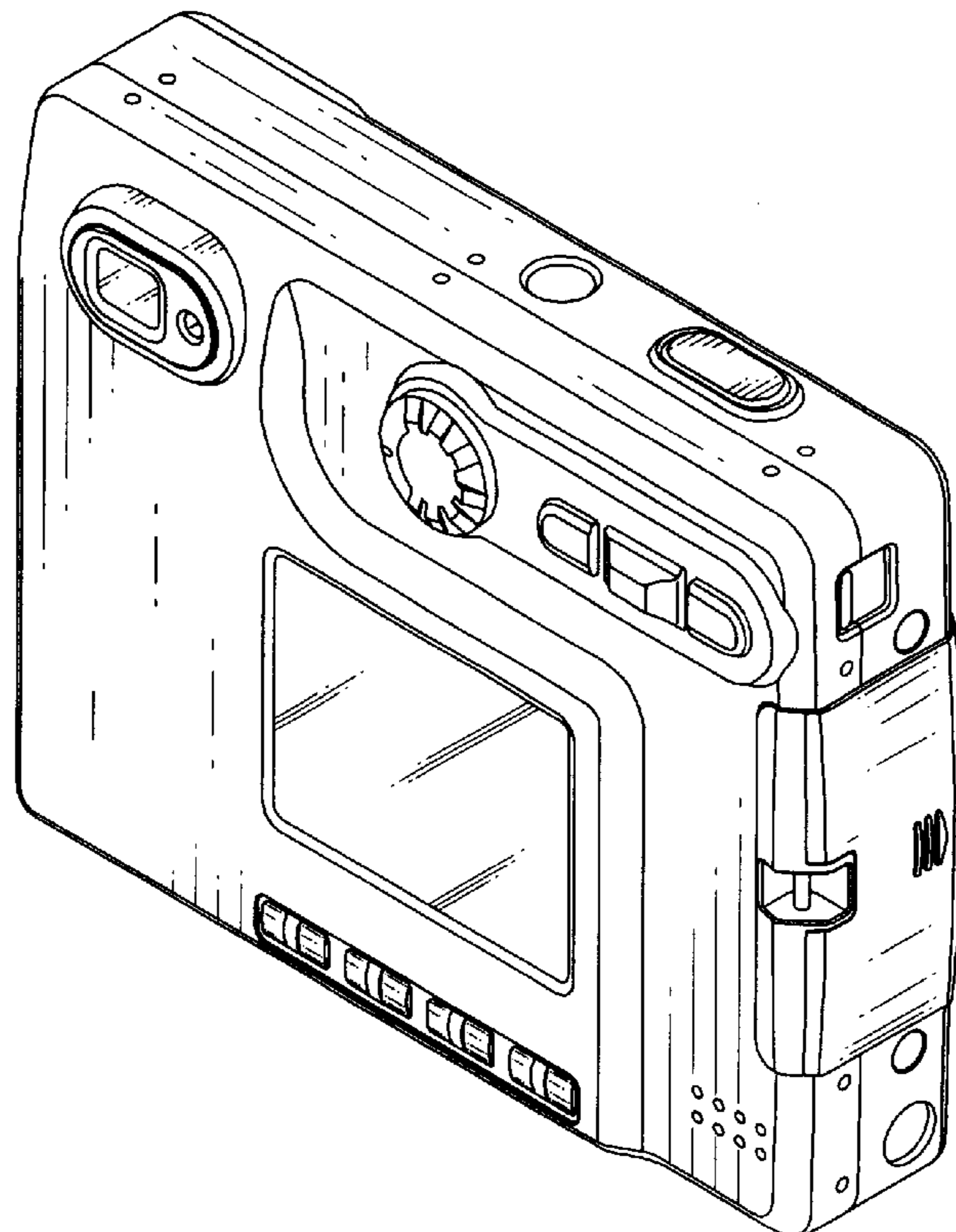


Fig. 3

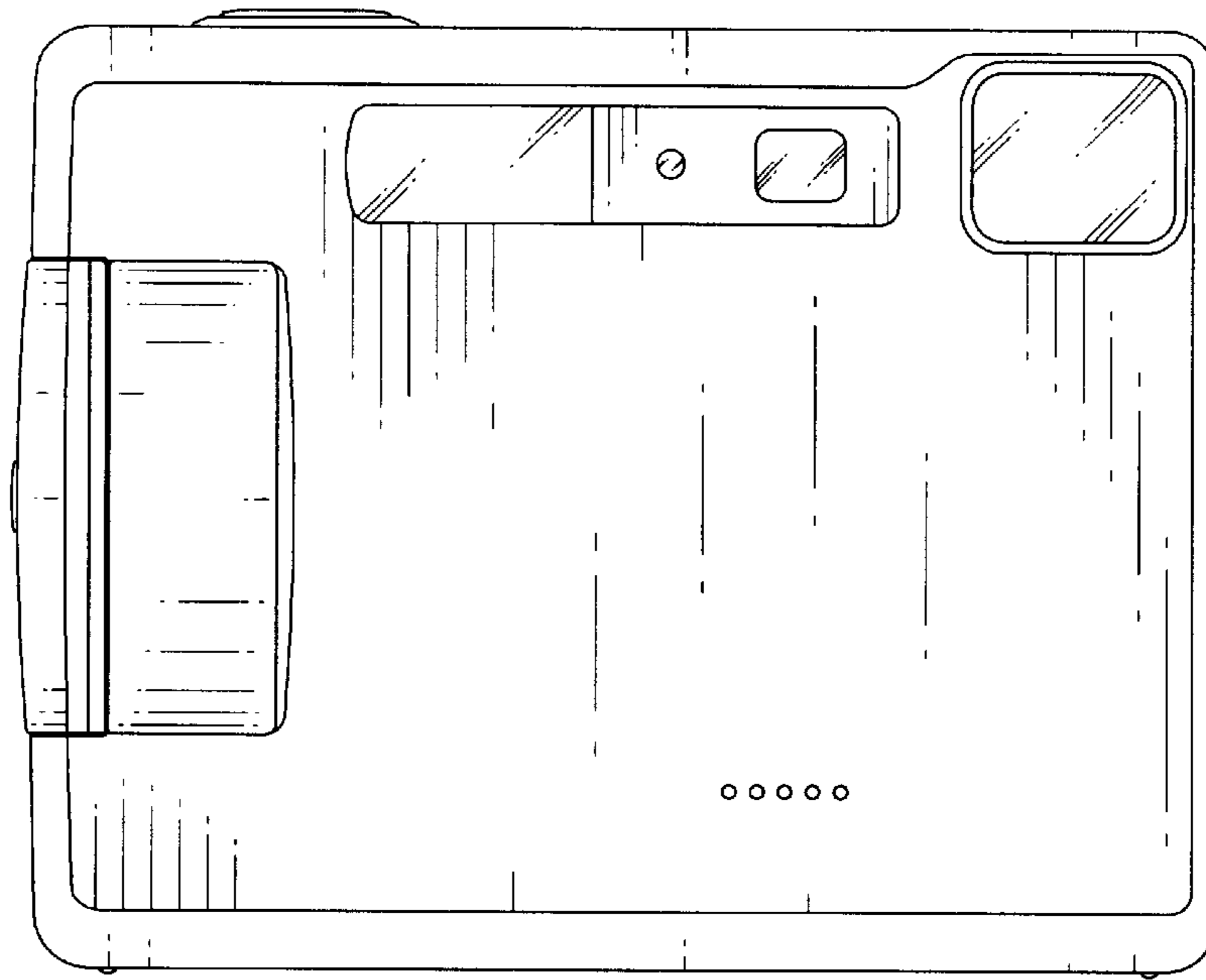


Fig. 4

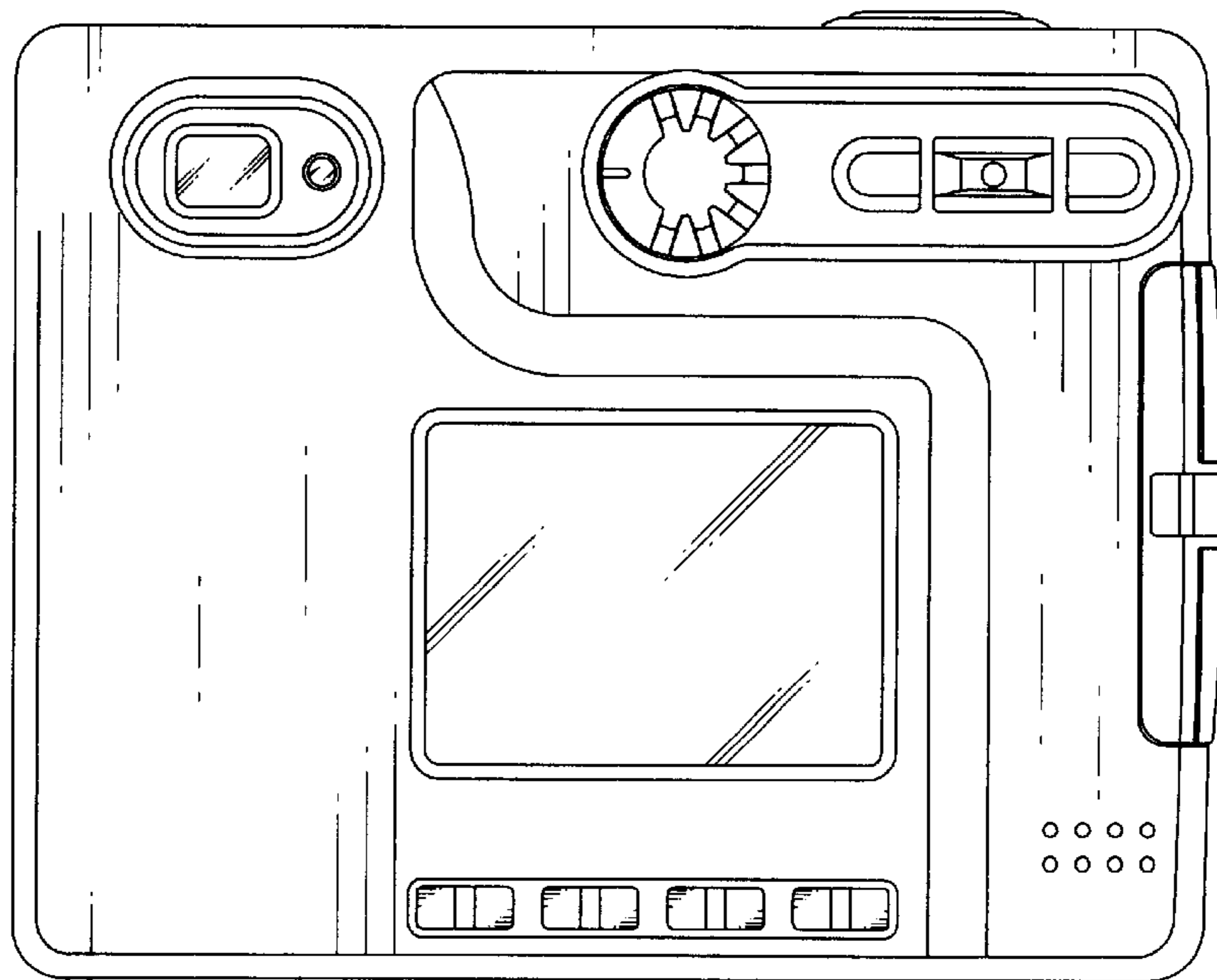


Fig. 5

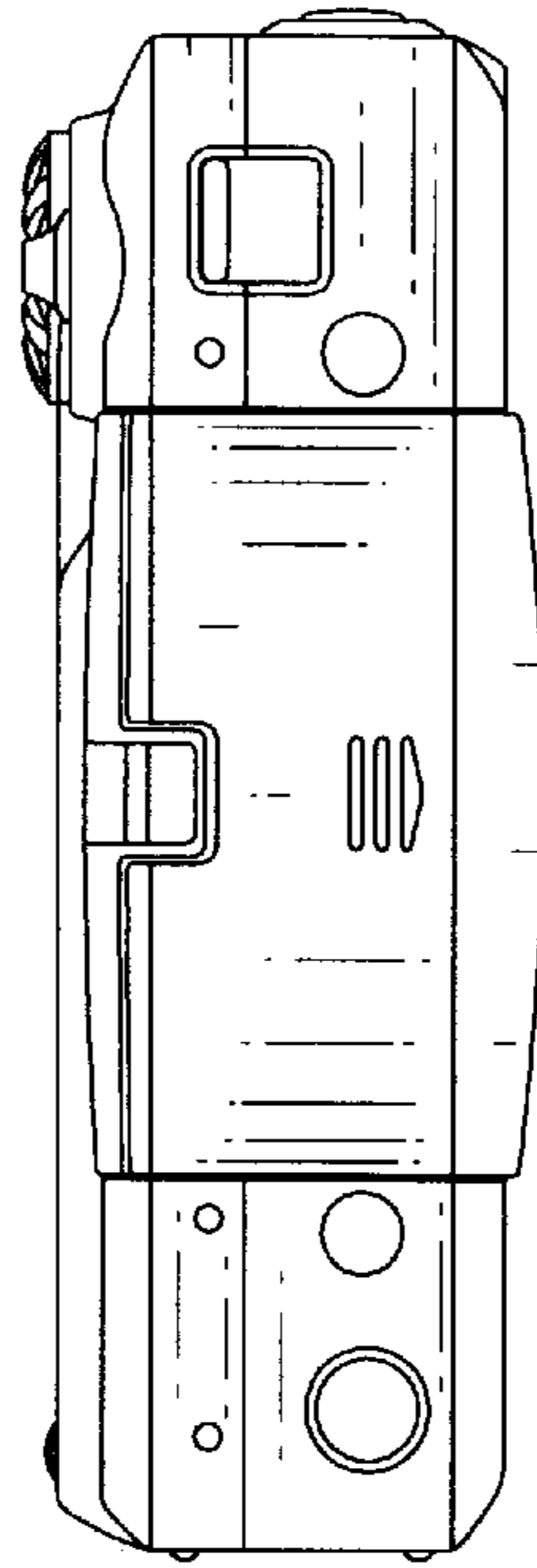


Fig. 6

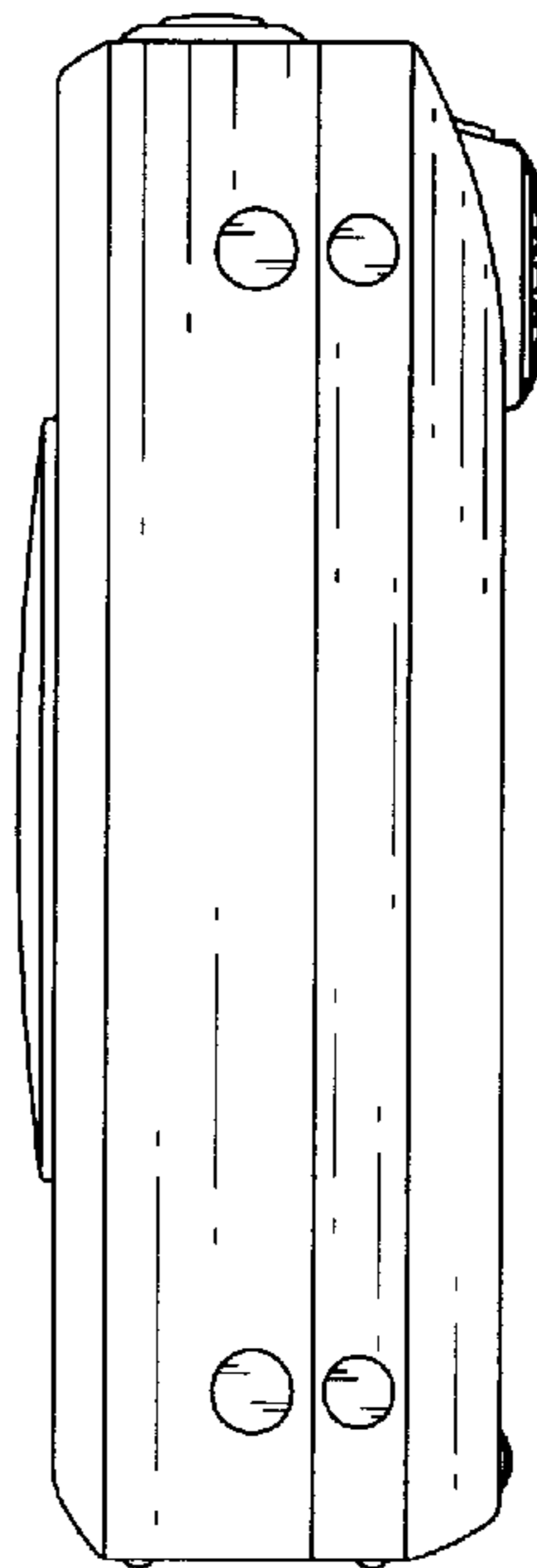


Fig. 7

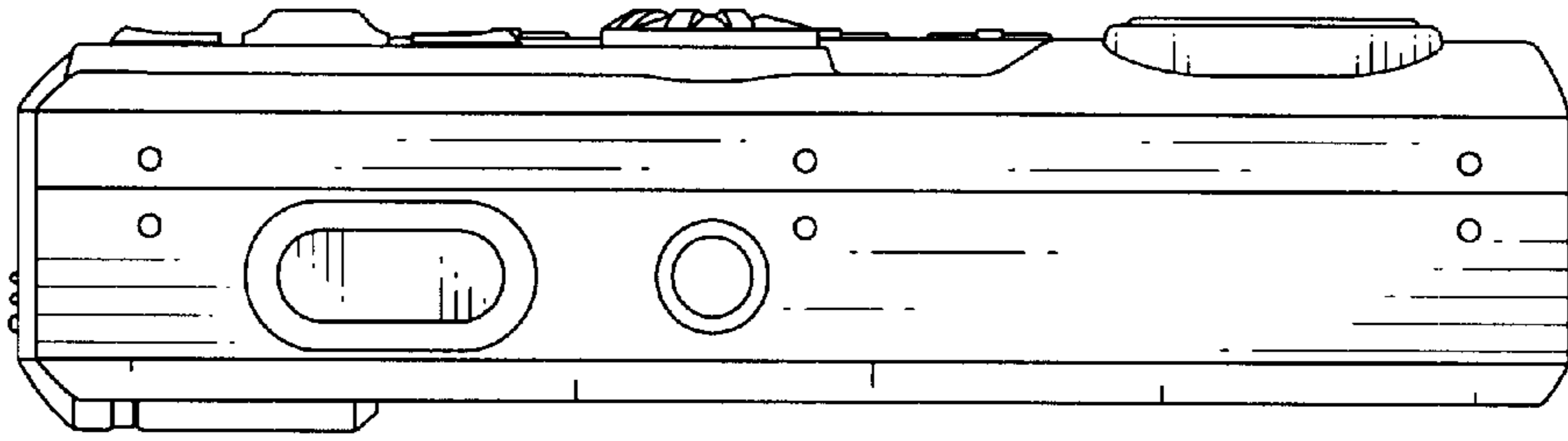


Fig. 8

