



US00D484901S

(12) **United States Design Patent**
Lim

(10) **Patent No.:** **US D484,901 S**

(45) **Date of Patent:** **** Jan. 6, 2004**

(54) **DIGITAL CAMCORDER**

(75) **Inventor:** **Hyun-teak Lim**, Seoul (KR)

(73) **Assignee:** **Samsung Electronics Co., Ltd.** (KR)

(**) **Term:** **14 Years**

(21) **Appl. No.:** **29/165,790**

(22) **Filed:** **Aug. 19, 2002**

(30) **Foreign Application Priority Data**

Feb. 28, 2002 (KR) 2002-6067

(51) **LOC (7) Cl.** **16-01**

(52) **U.S. Cl.** **D16/202**

(58) **Field of Search** D16/200-206,
D16/208, 218; 348/373-376; 358/906; 396/535-541

(56) **References Cited**

U.S. PATENT DOCUMENTS

D407,097 S * 3/1999 Suzuki et al. D16/202

D426,843 S * 6/2000 Tanaka D16/202

D431,582 S * 10/2000 Sumita et al. D16/202

D446,800 S * 8/2001 Fukushima et al. D16/202

D463,809 S * 10/2002 Lo D16/202

* cited by examiner

Primary Examiner—Adir Aronovich

(74) *Attorney, Agent, or Firm*—Irving Keschner

(57) **CLAIM**

The ornamental design for a digital camcorder, as shown.

DESCRIPTION

FIG. 1 is a perspective view of a digital camcorder showing my present invention;

FIG. 2 is a front elevational view thereof;

FIG. 3 is a rear elevational view thereof;

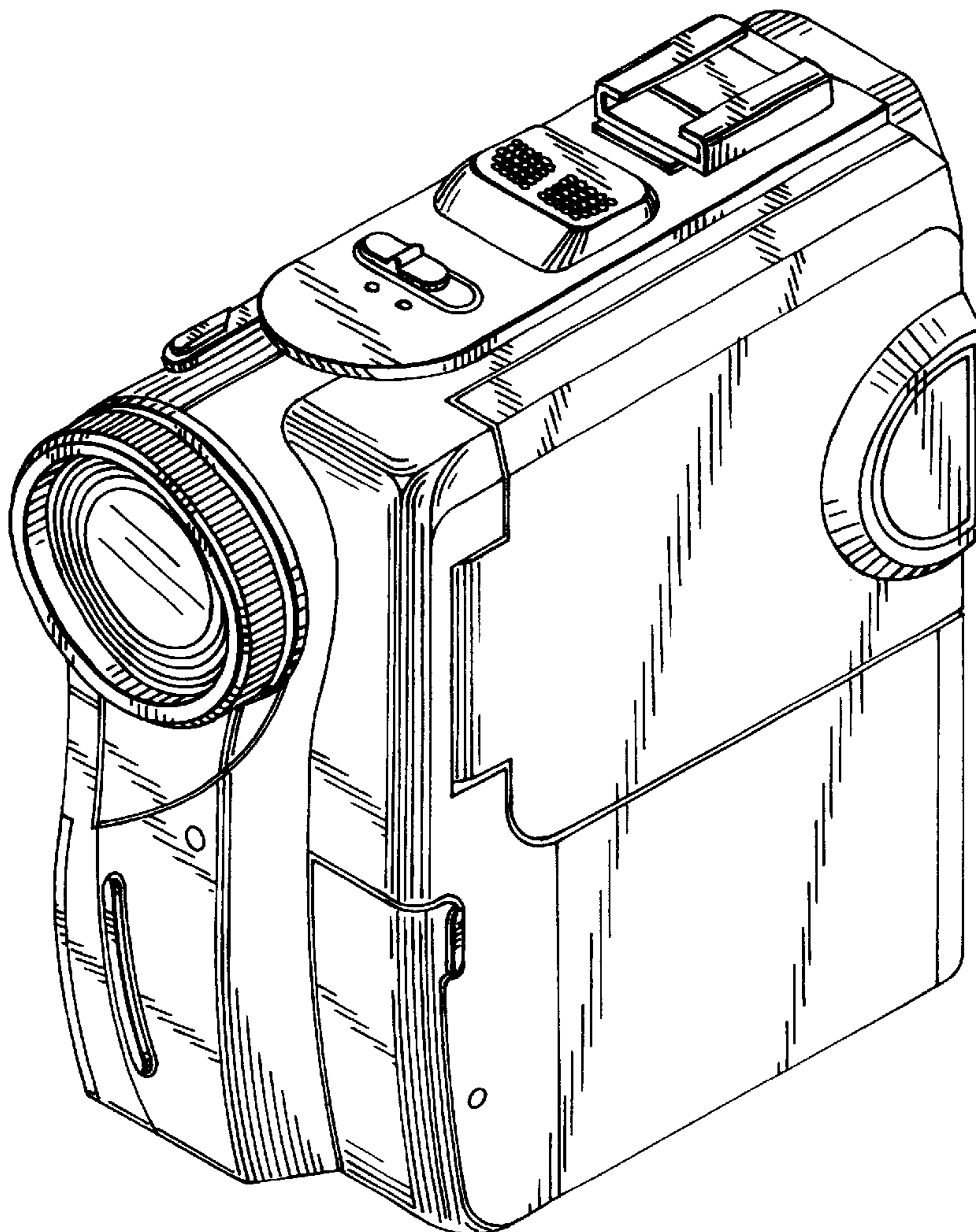
FIG. 4 is a left side elevational view thereof;

FIG. 5 is a right side elevational view thereof;

FIG. 6 is a top plan view thereof; and,

FIG. 7 is a bottom plan elevational view thereof.

1 Claim, 4 Drawing Sheets



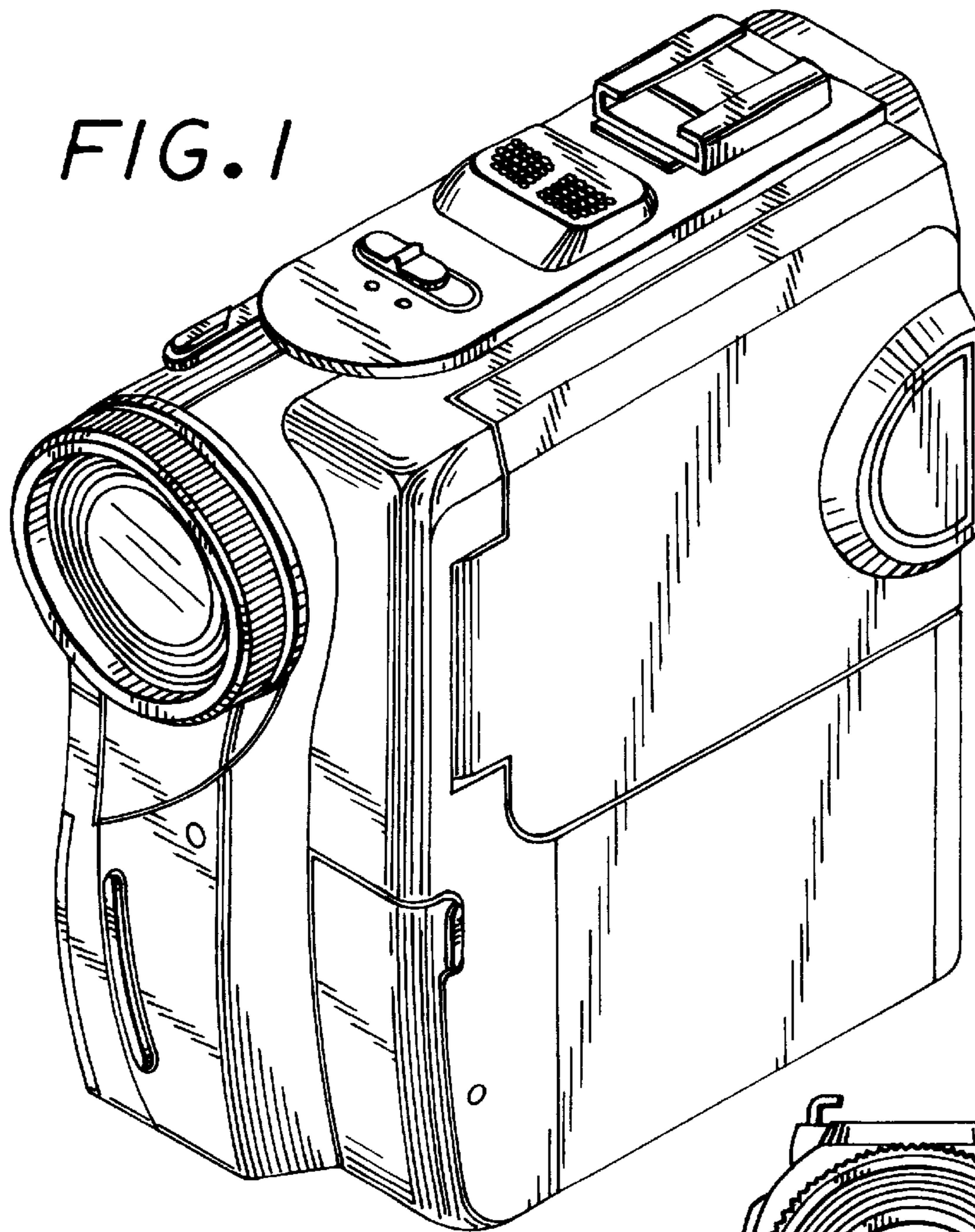


FIG. 2

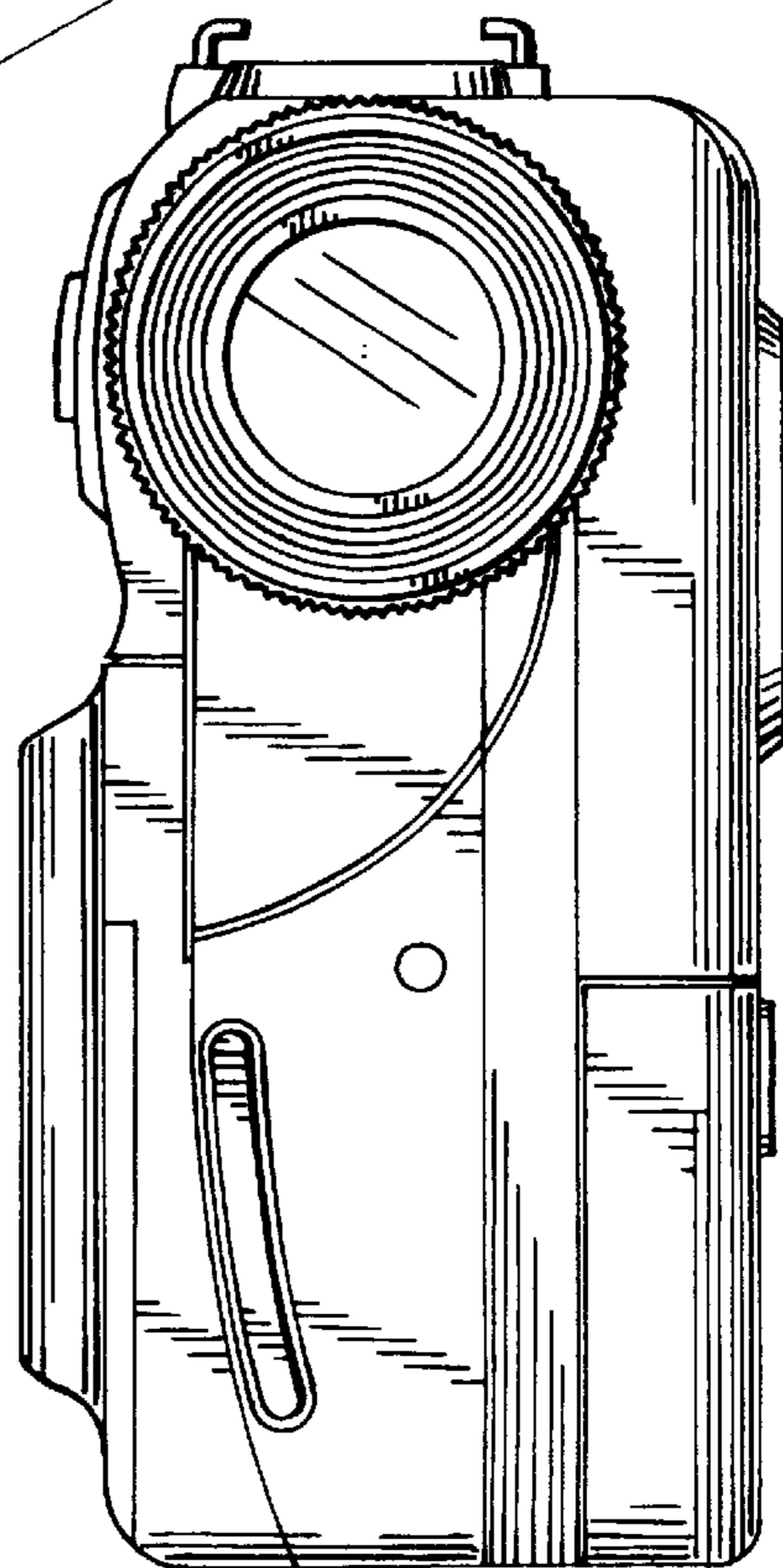


FIG. 3

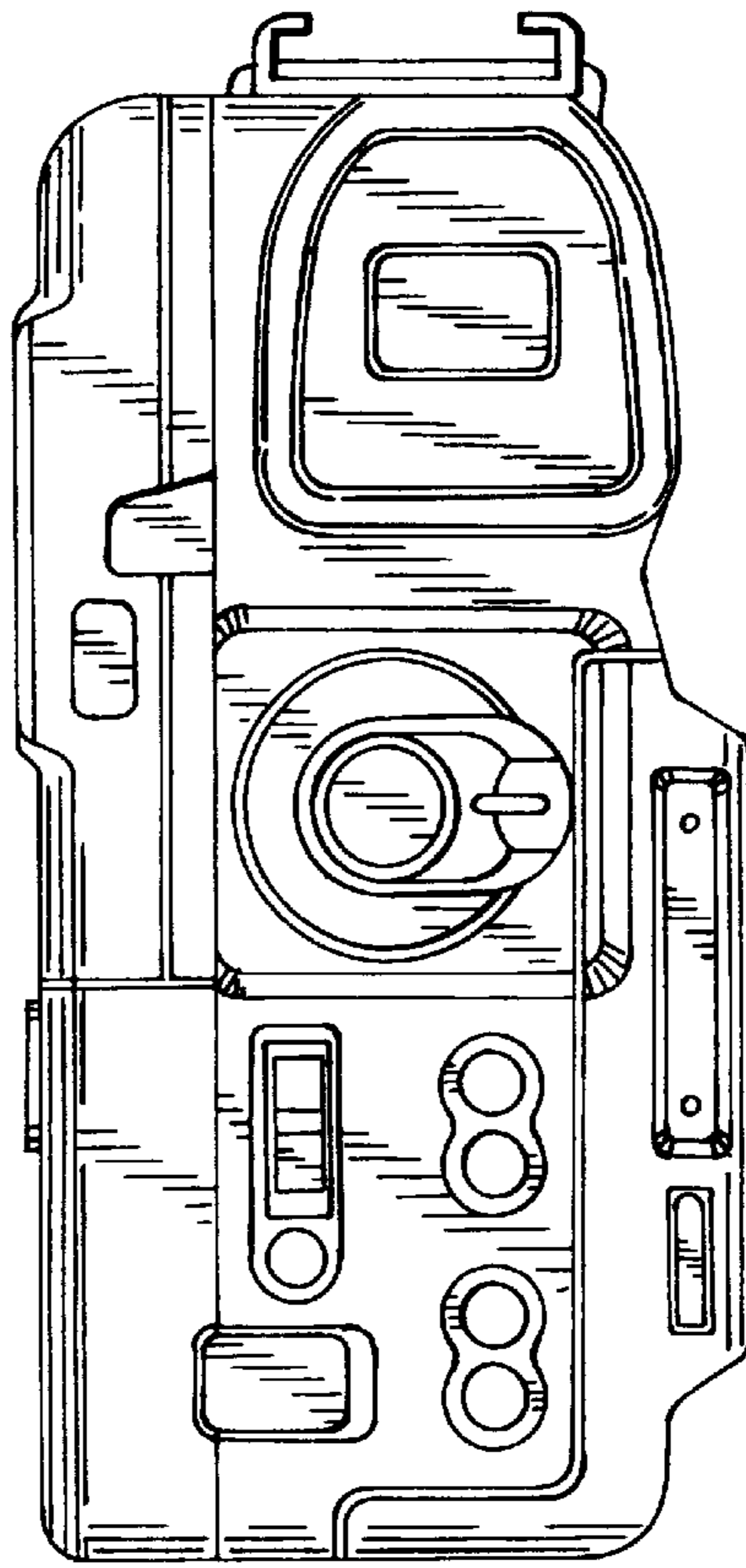


FIG. 4

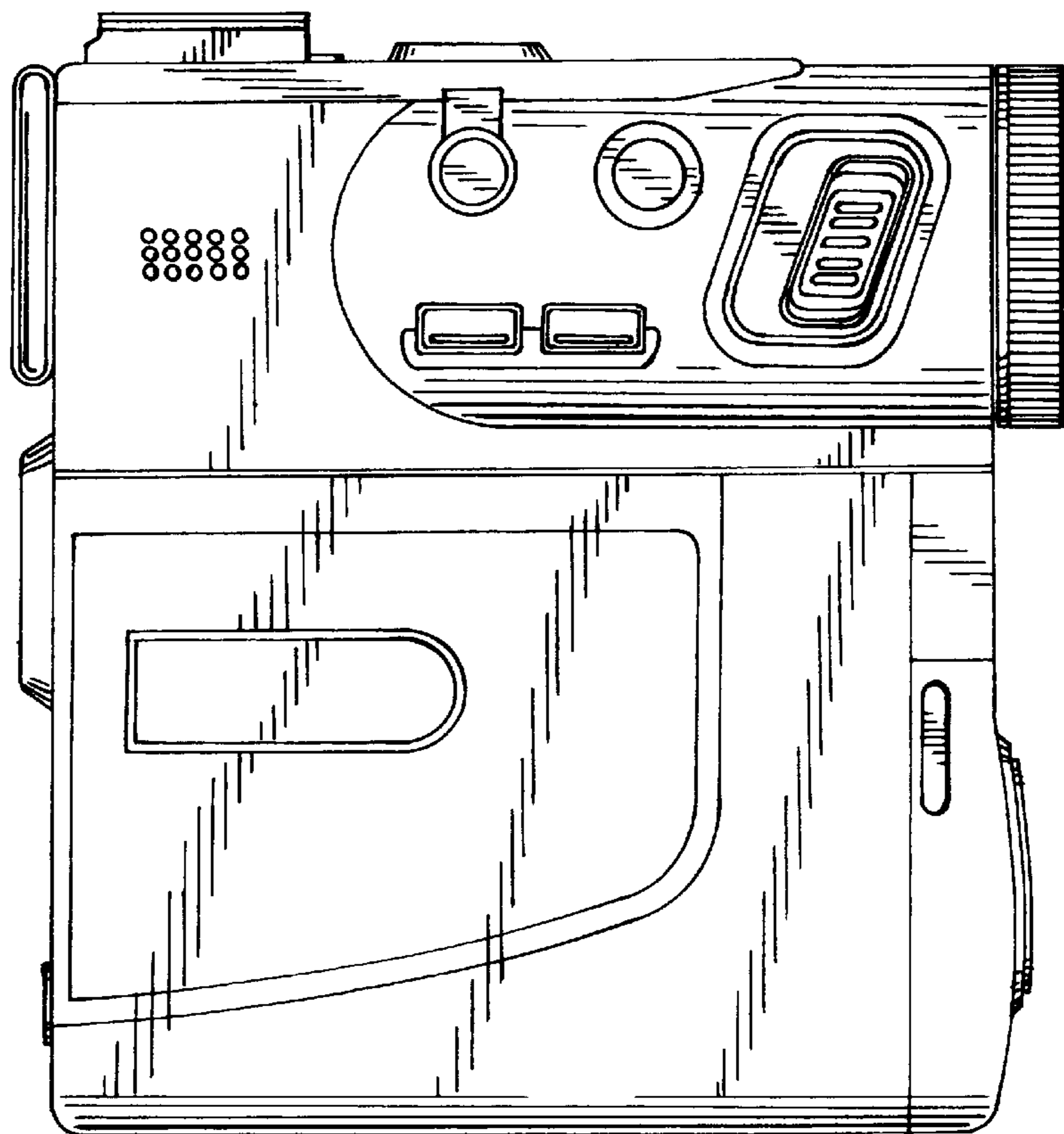


FIG. 5

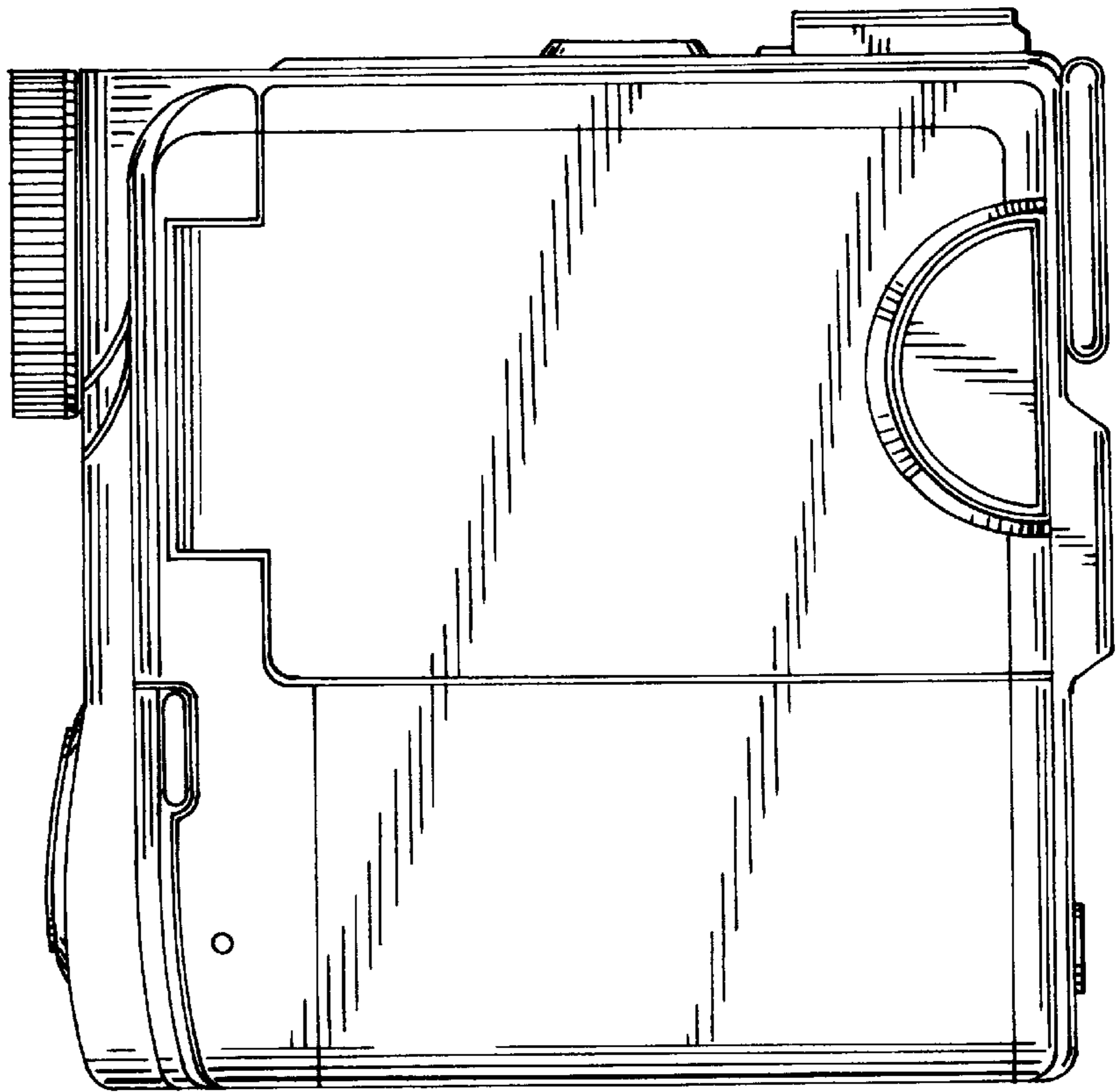
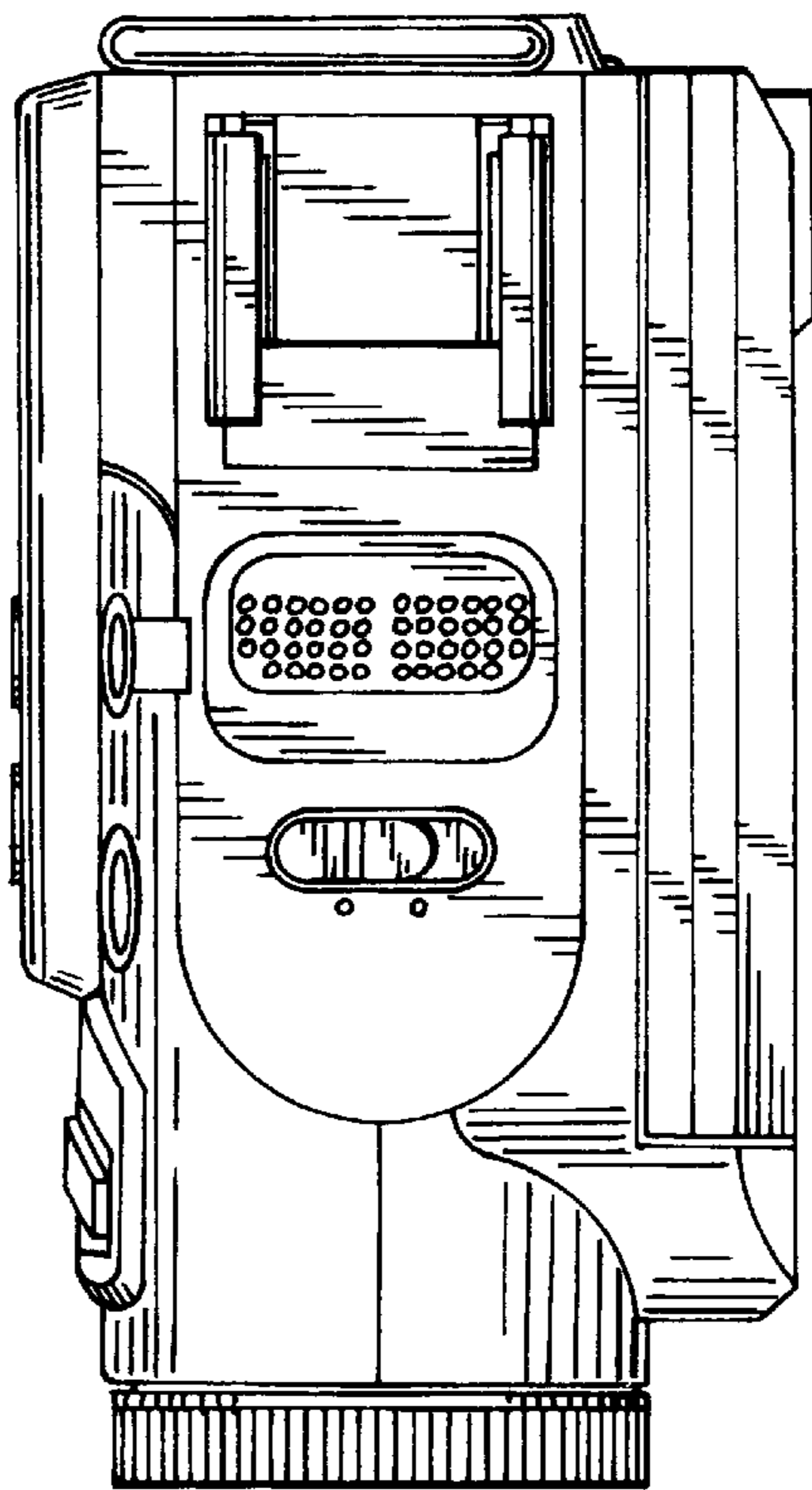


FIG. 6



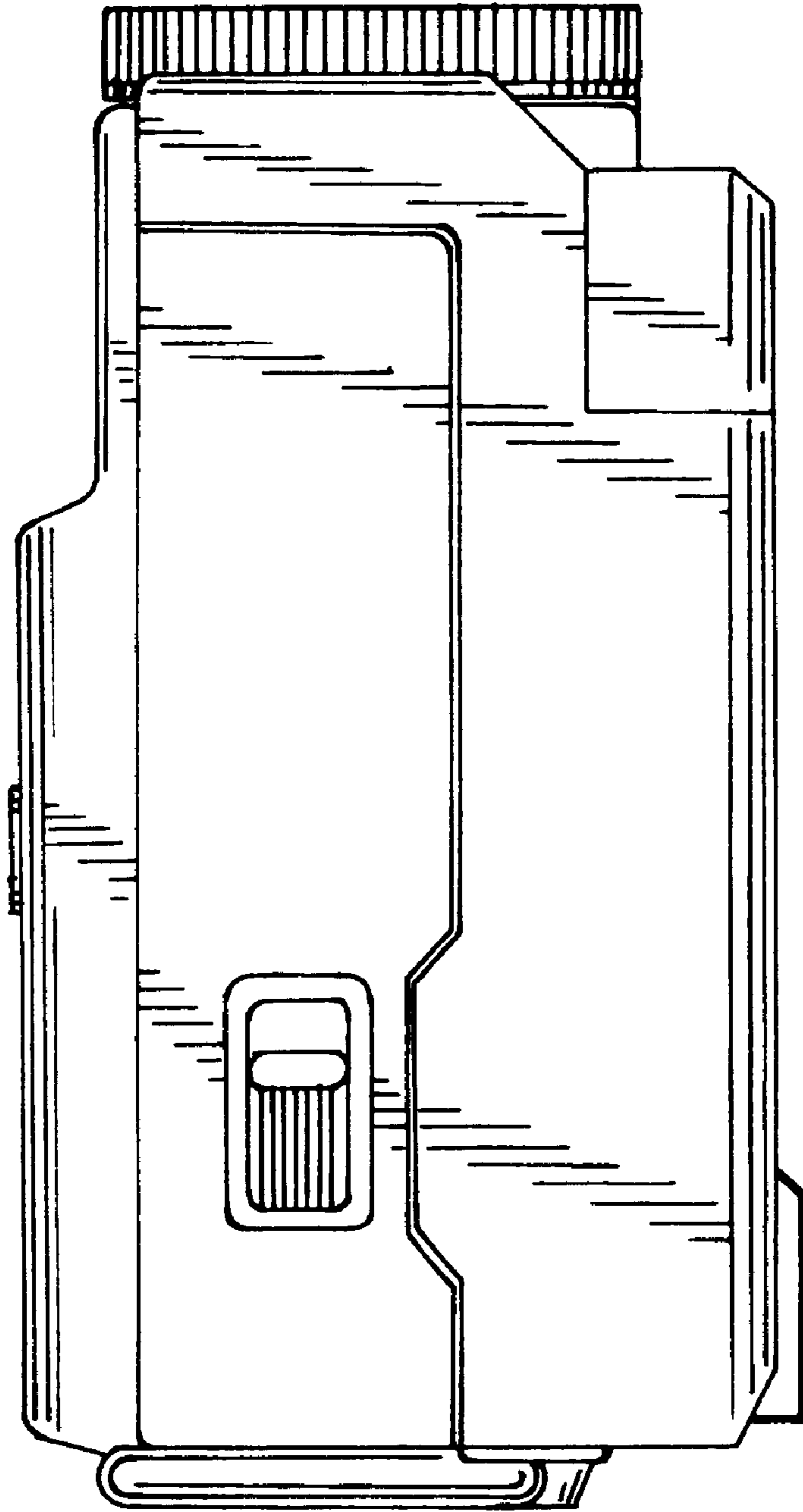


FIG. 7