



US00D484900S

(12) **United States Design Patent**  
**Lee et al.**

(10) **Patent No.:** **US D484,900 S**  
(45) **Date of Patent:** **\*\* Jan. 6, 2004**

(54) **BINOCULARS WITH AN IMAGE CAPTURE DEVICE**

(75) Inventors: **Hsin-Feng Lee**, Taichung Hsien (TW);  
**Po-Hung Lin**, Taichung Hsien (TW);  
**Chih-Hui Chen**, Taichung Hsien (TW)

(73) Assignee: **Asia Optical Co., Inc.** (TW)

(\*\*) Term: **14 Years**

(21) Appl. No.: **29/178,252**

(22) Filed: **Mar. 24, 2003**

(51) **LOC (7) Cl.** ..... **16-06**

(52) **U.S. Cl.** ..... **D16/133**

(58) **Field of Search** ..... D16/130, 132,  
D16/133, 202, 208; 359/407-418, 363,  
415, 726; 396/432, 377; 352/131; D14/168,  
169, 170

(56) **References Cited**

**U.S. PATENT DOCUMENTS**

- 2,013,288 A \* 9/1935 Porter ..... 352/131
- 2,032,676 A \* 3/1936 Warmisham ..... 359/407
- 2,882,791 A \* 4/1959 Moller et al. .... 359/363
- D259,569 S \* 6/1981 Nishioka ..... D16/133
- D281,888 S \* 12/1985 Uozumi et al. .... D16/133 X

- D349,509 S \* 8/1994 Williams, Jr. et al. .... D16/130
- D371,706 S \* 7/1996 Maeyama ..... D14/168
- D375,754 S \* 11/1996 Miyahara ..... D16/133
- 5,579,165 A \* 11/1996 Michel et al. .... 359/410 X
- D377,185 S \* 1/1997 Nojima ..... D16/133
- D386,770 S \* 11/1997 Ryuen et al. .... D16/133
- D394,666 S \* 5/1998 Ono ..... D16/133
- D469,455 S \* 1/2003 Yanagisawa ..... D16/133

\* cited by examiner

*Primary Examiner*—Paula A. Mortimer

(74) *Attorney, Agent, or Firm*—Jackson Walker L.L.P.

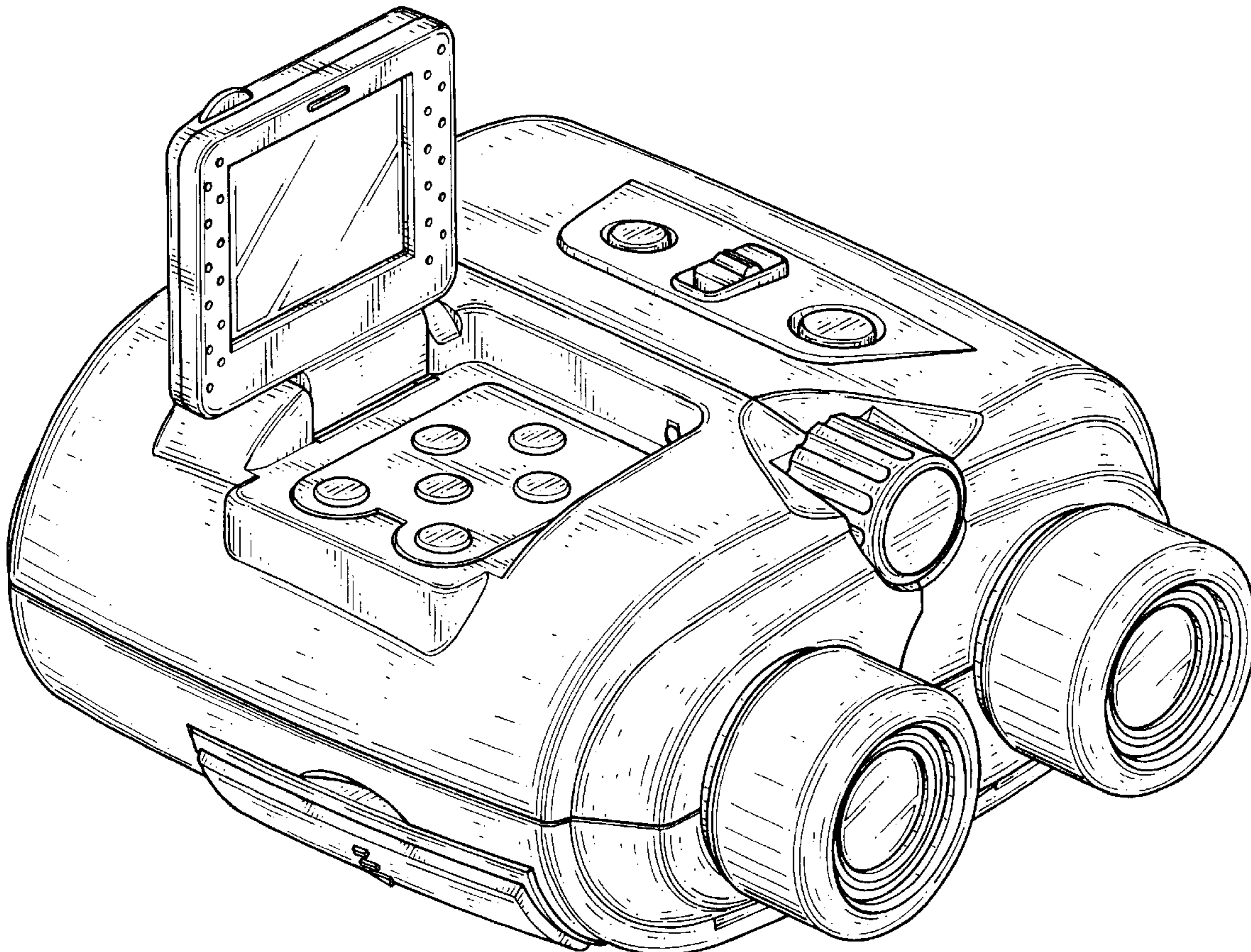
(57) **CLAIM**

The ornamental design for a pair of binoculars with an image capture device, as shown.

**DESCRIPTION**

FIG. 1 is a perspective view of a pair of binoculars with an image capture device, showing my new design;  
FIG. 2 is a front elevational view thereof;  
FIG. 3 is a rear elevational view thereof;  
FIG. 4 is a left side elevational view thereof;  
FIG. 5 is a right side elevational view thereof;  
FIG. 6 is a top plan view thereof; and,  
FIG. 7 is a bottom plan view thereof.

**1 Claim, 7 Drawing Sheets**





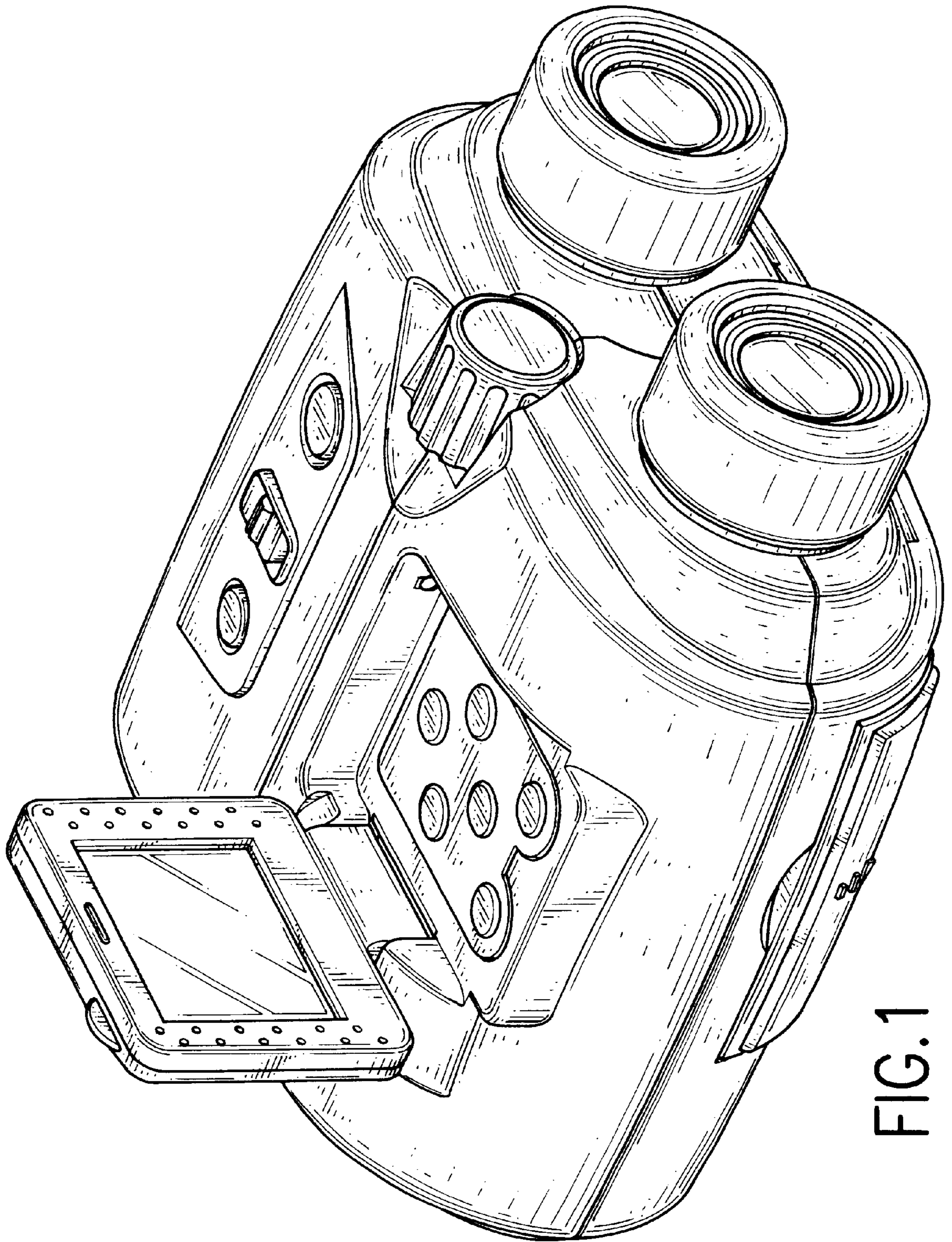


FIG. 1

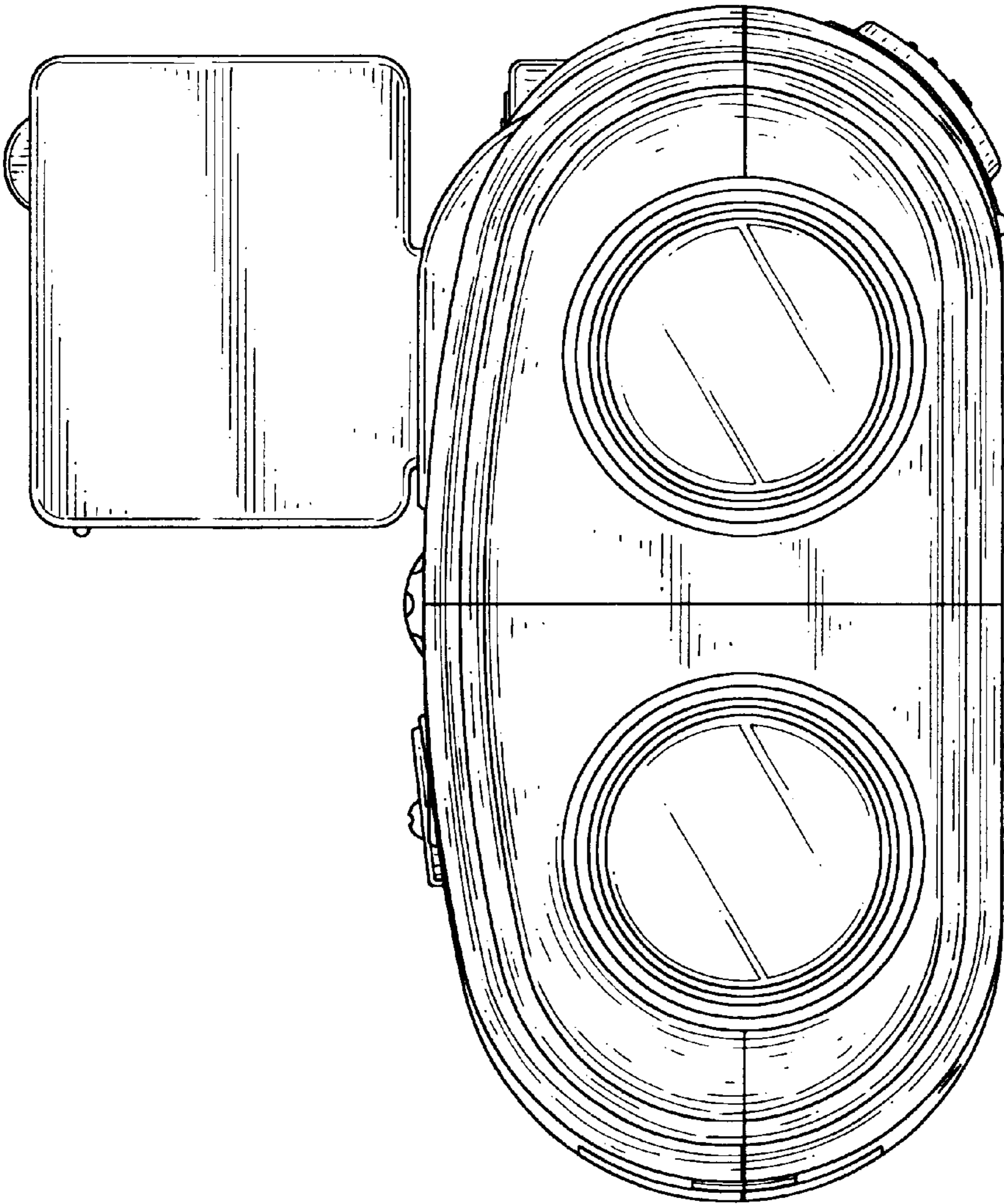


FIG.2



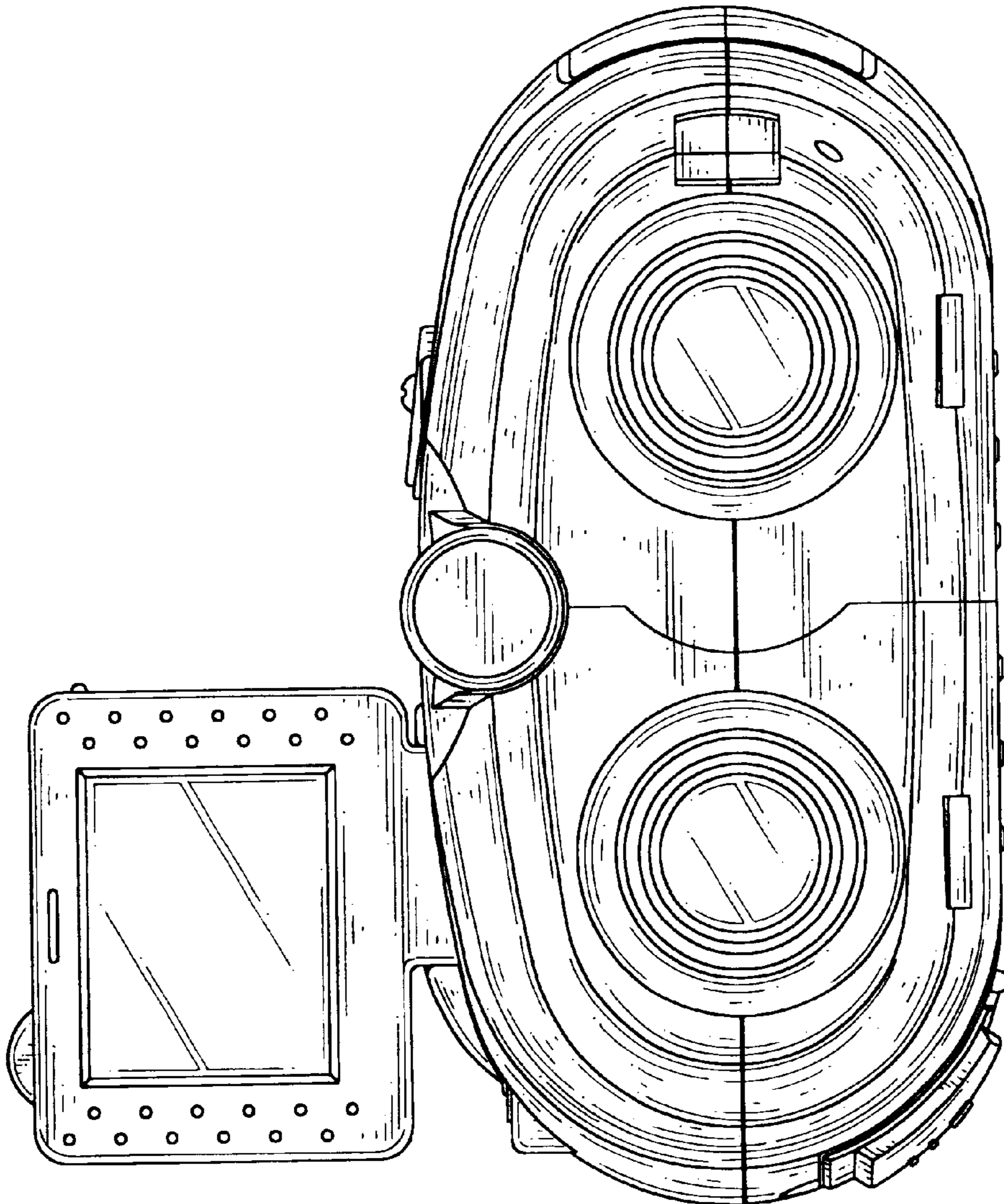


FIG. 3

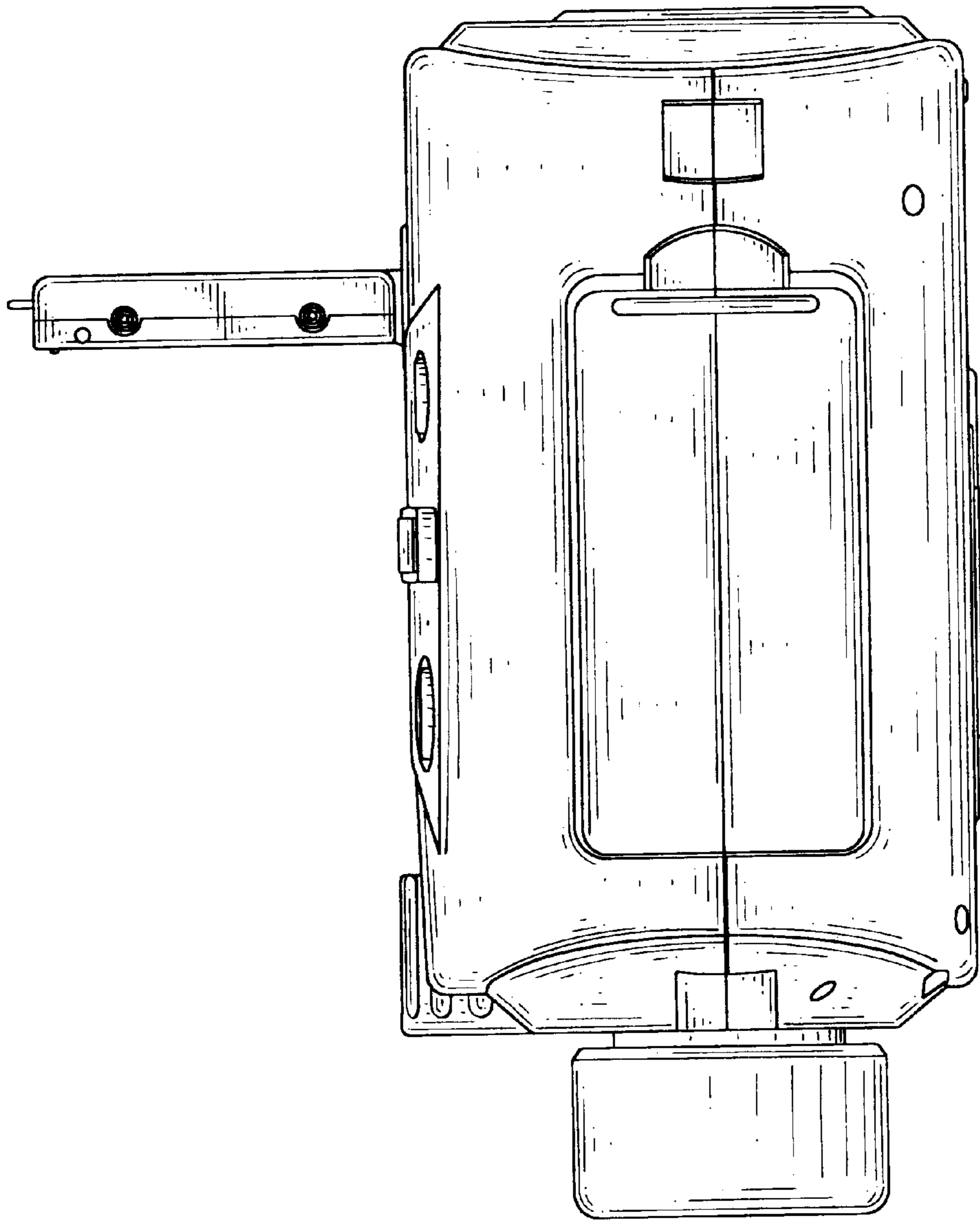


FIG.4

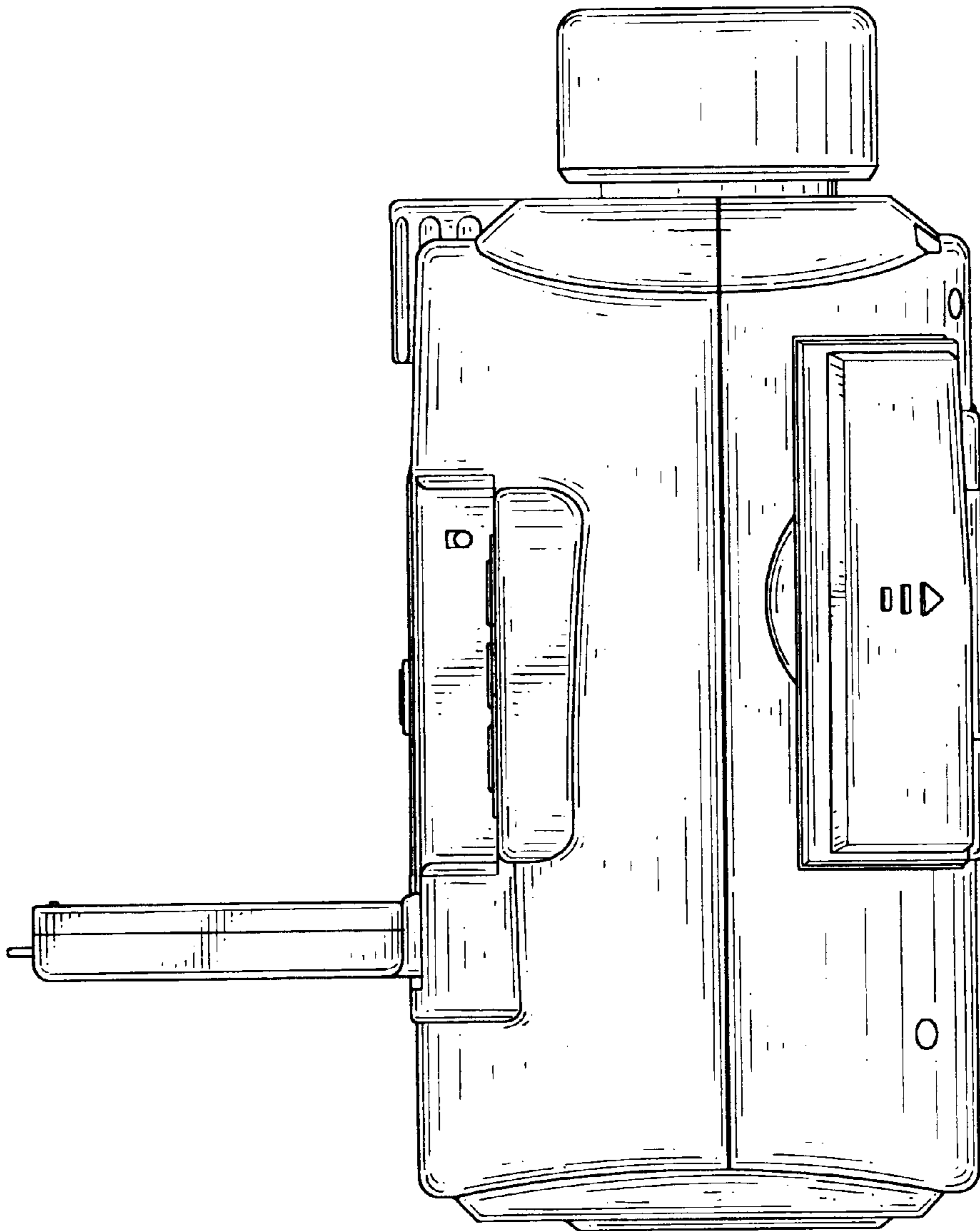


FIG.5

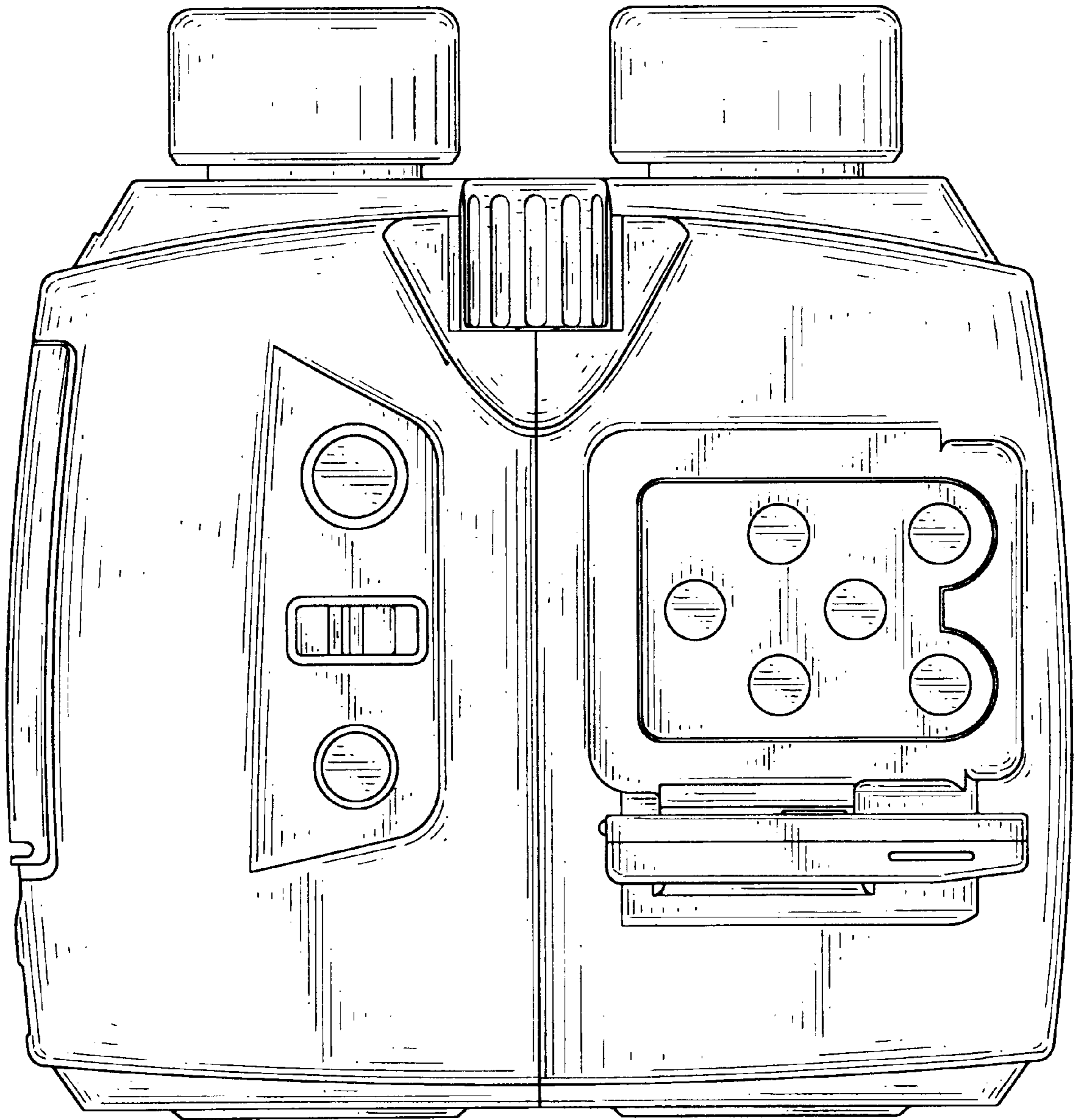


FIG. 6

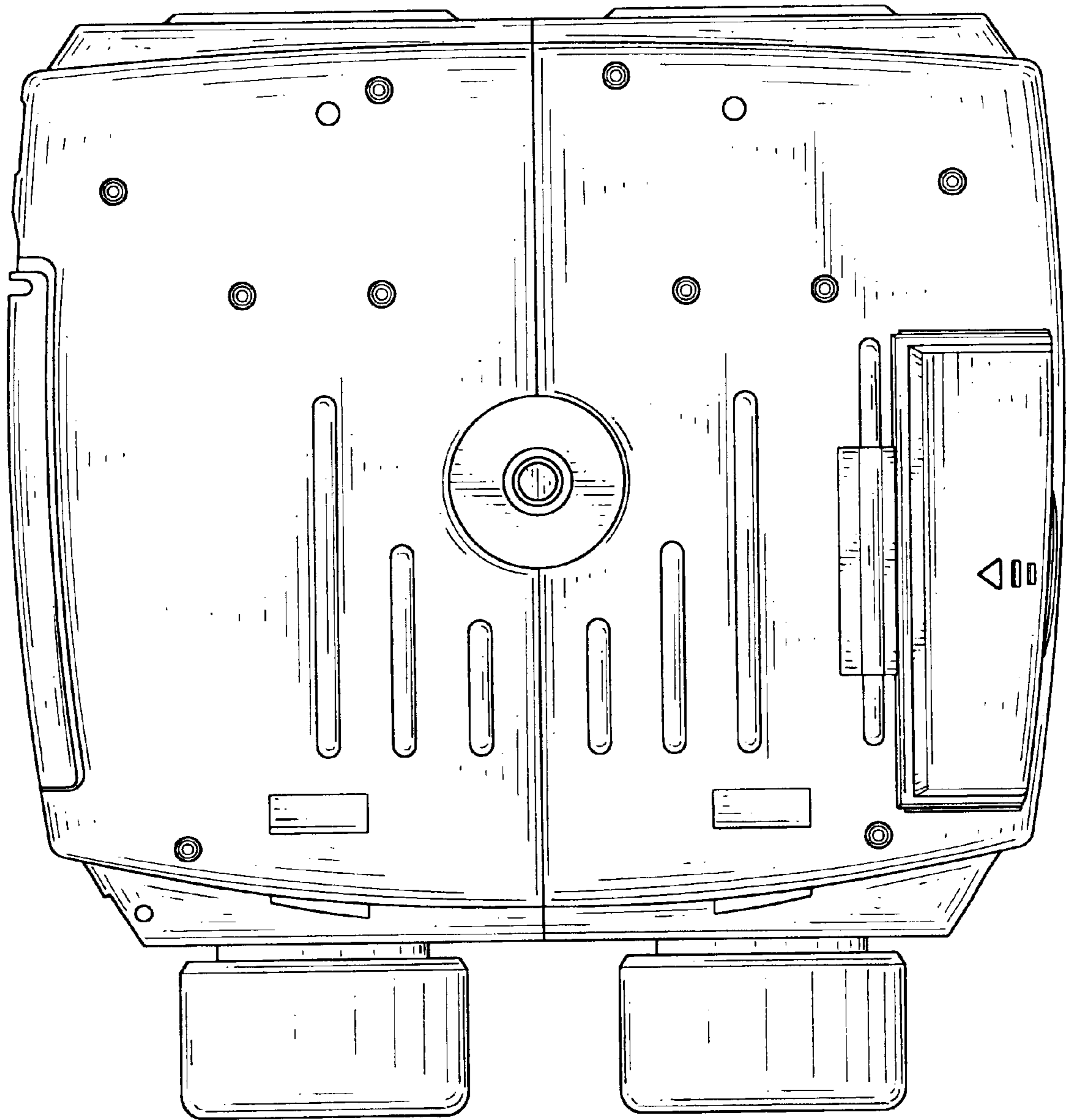


FIG. 7