



US00D484899S

(12) **United States Design Patent**
Yanagisawa

(10) **Patent No.:** **US D484,899 S**
(45) **Date of Patent:** **** Jan. 6, 2004**

(54) **BINOCULARS**

D469,455 S 1/2003 Yanagisawa

(75) Inventor: **Masaaki Yanagisawa**, Chigasaki (JP)

FOREIGN PATENT DOCUMENTS

(73) Assignee: **Nikon Corporation**, Tokyo (JP)

JP S 1160717 12/2002

(**) Term: **14 Years**

OTHER PUBLICATIONS

(21) Appl. No.: **29/176,322**

Fujinon, Image Stabilizing Binocular, Feb. 8, 2000.

(22) Filed: **Feb. 24, 2003**

* cited by examiner

(30) **Foreign Application Priority Data**

Primary Examiner—Paula A. Mortimer

Dec. 24, 2002 (JP) 2002-035631

(74) *Attorney, Agent, or Firm*—Oliff & Berridge, PLC

(51) **LOC (7) Cl.** **16-06**

(57) **CLAIM**

(52) **U.S. Cl.** **D16/133**

The ornamental design for binoculars, as shown.

(58) **Field of Search** D16/130, 132,
D16/133; 359/407-418

DESCRIPTION

(56) **References Cited**

FIG. 1 is a front perspective view of binoculars showing my new design;

FIG. 2 is a front view thereof;

FIG. 3 is a rear view thereof;

FIG. 4 is a top view thereof;

FIG. 5 is a bottom view thereof;

FIG. 6 is a right side view thereof; and,

FIG. 7 is a left side view thereof.

U.S. PATENT DOCUMENTS

| | | | | | |
|------------|---|---------|---------------|-------|---------|
| D231,858 S | * | 6/1974 | Huckenbeck | | D16/133 |
| D271,885 S | * | 12/1983 | Giugiaro | | D16/133 |
| D360,215 S | * | 7/1995 | Moro et al. | | D16/133 |
| D399,859 S | * | 10/1998 | Hasegawa | | D16/133 |
| D406,597 S | * | 3/1999 | Kimura et al. | | D16/133 |
| D420,690 S | * | 2/2000 | Konno | | D16/133 |

1 Claim, 4 Drawing Sheets





Fig. 1

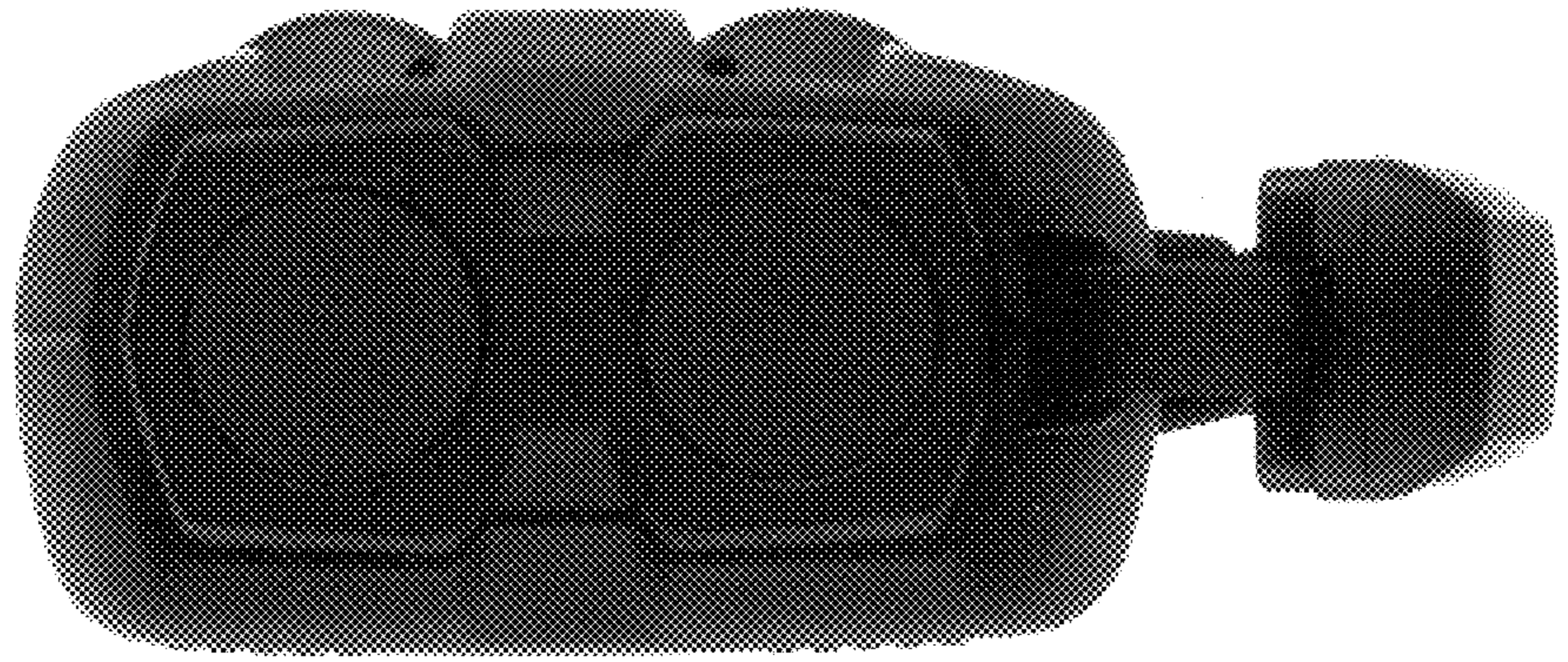


Fig. 2

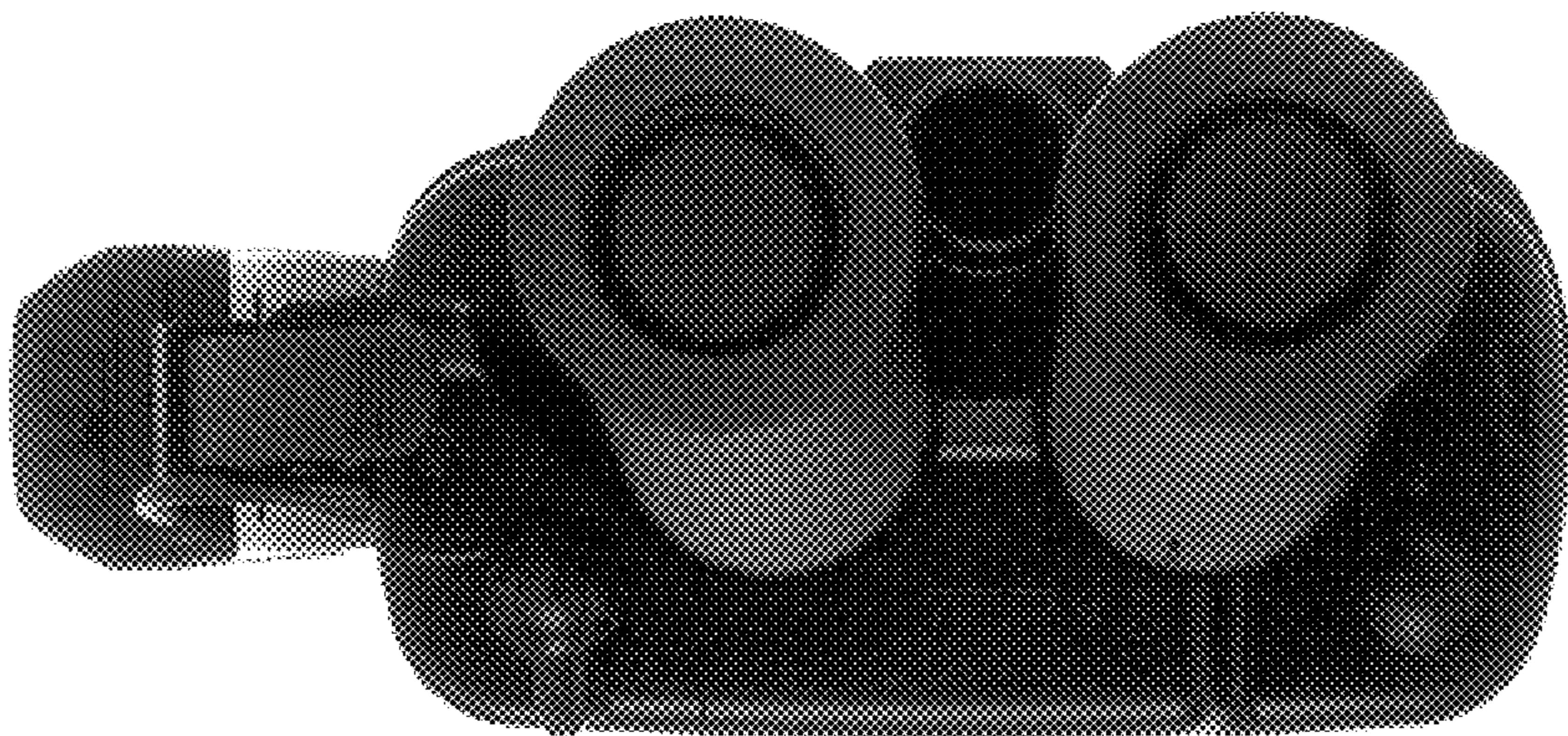


Fig. 3

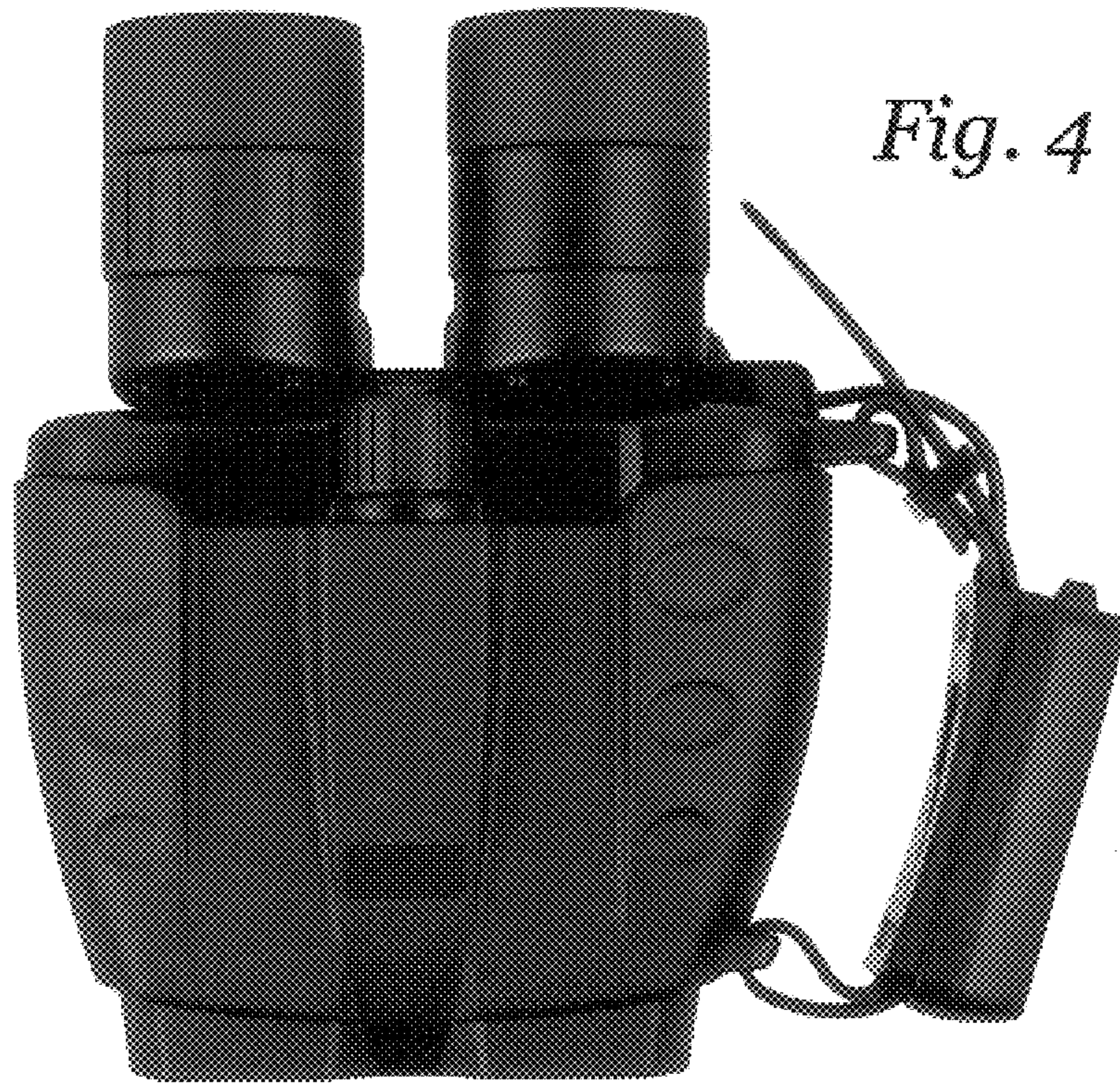


Fig. 4

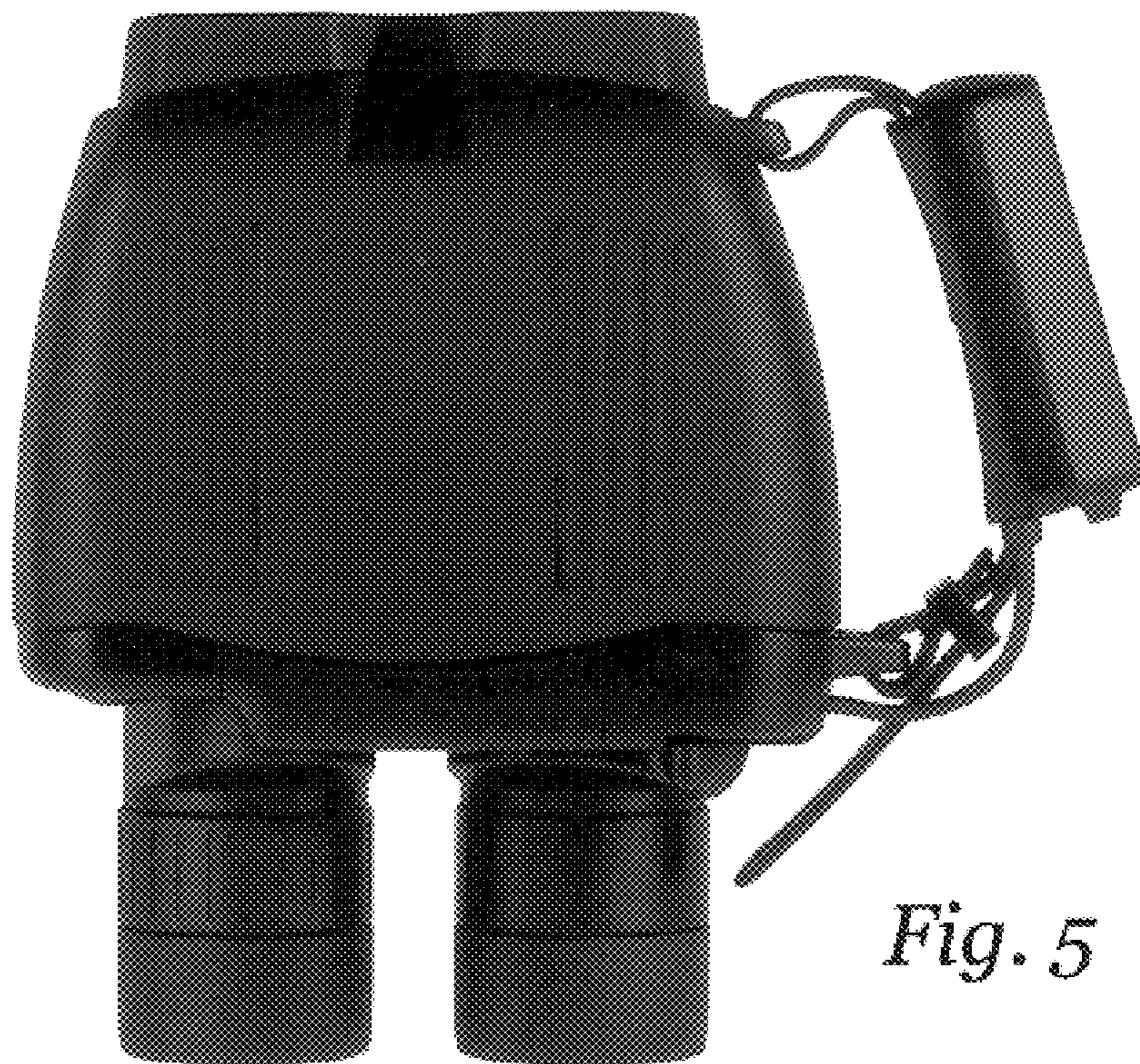


Fig. 5

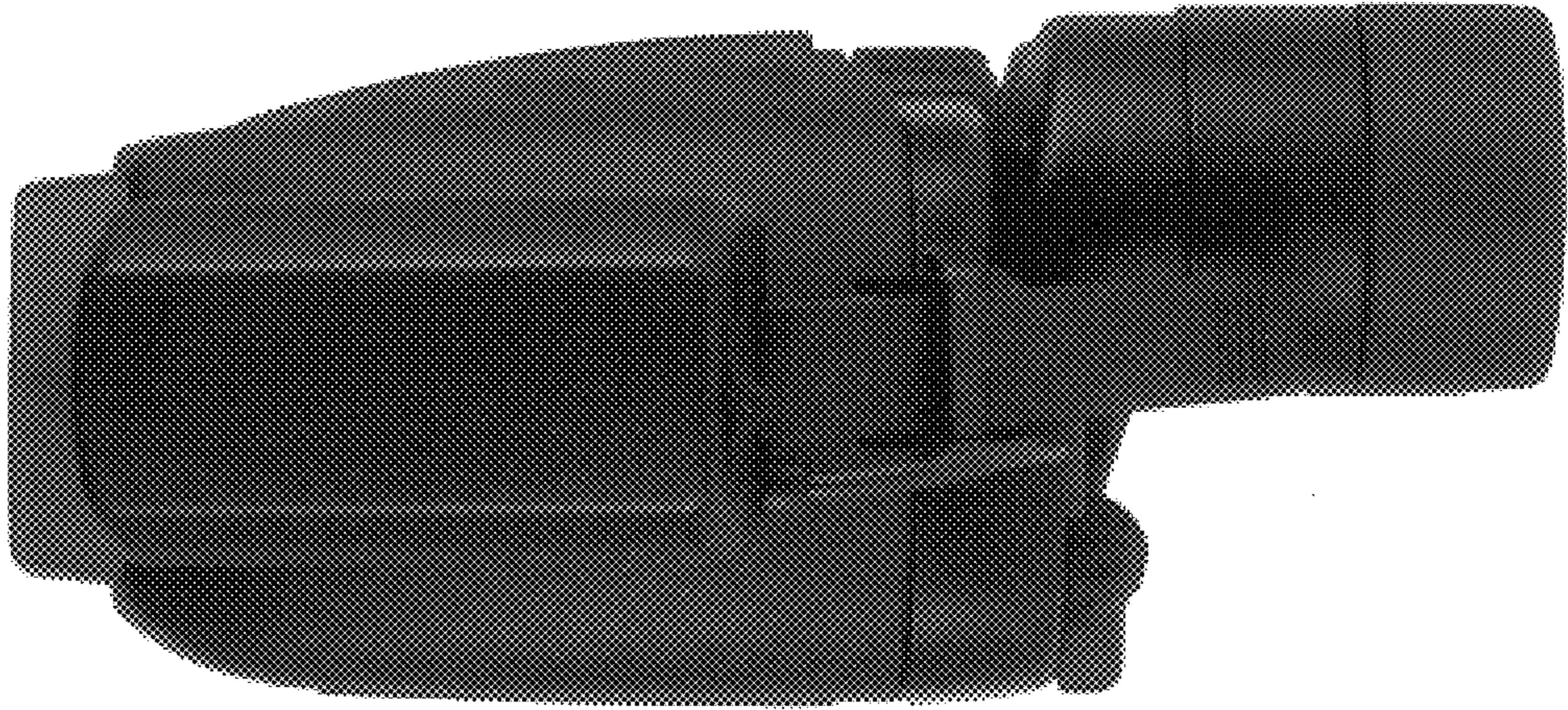


Fig. 6



Fig. 7