



US00D484897S

(12) **United States Design Patent**  
**Hohenshelt et al.**

(10) **Patent No.:** **US D484,897 S**  
(45) **Date of Patent:** **\*\* Jan. 6, 2004**

(54) **PORTABLE ELECTRIC FURNACE**

(75) Inventors: **John S. Hohenshelt**, Rockwall, TX  
(US); **Robert L. Gieselman**, Dallas, TX  
(US); **David T. Beaumont**, Dallas, TX  
(US)

(73) Assignee: **JSH Management, Inc.**, Heath, TX  
(US)

(\*\*) Term: **14 Years**

(21) Appl. No.: **29/166,617**

(22) Filed: **Aug. 30, 2002**

(51) **LOC (7) Cl.** ..... **15-09**

(52) **U.S. Cl.** ..... **D15/144.1**

(58) **Field of Search** ..... D15/144.1; 34/200,  
34/202; 219/385, 391

(56) **References Cited**

**U.S. PATENT DOCUMENTS**

3,196,252 A	7/1965	Weingrad	
3,752,643 A	8/1973	Robinson	
3,786,162 A	1/1974	Colson	
D234,403 S	* 2/1975	Erickson	..... D15/144.1
3,958,923 A	5/1976	Duncan	
4,139,340 A	2/1979	Bartel	
4,215,265 A	7/1980	White	
4,272,670 A	6/1981	Docx	
4,536,153 A	8/1985	Anthony	
4,628,895 A	12/1986	Santilli	
4,692,593 A	9/1987	Chiu	
4,705,930 A	11/1987	Sathre, Jr. et al.	
5,378,144 A	1/1995	Cress	

5,477,029 A	12/1995	Skutt et al.
5,498,852 A	3/1996	Cress
5,734,149 A	3/1998	Skutt et al.
5,910,006 A	6/1999	Conroy et al.

\* cited by examiner

*Primary Examiner*—Brian N. Vinson

(74) *Attorney, Agent, or Firm*—Dennis T. Griggs

(57) **CLAIM**

The ornamental design for a portable electric furnace, as shown and described.

**DESCRIPTION**

FIG. 1 is a rear perspective view thereof;  
FIG. 2 is a left side view thereof, the right side elevation being the mirror image thereof;  
FIG. 3 is a front view thereof;  
FIG. 4 is a rear view thereof;  
FIG. 5 is a top view thereof;  
FIG. 6 is a rear perspective view of an alternative embodiment thereof; and,  
FIG. 7 is a top view thereof.

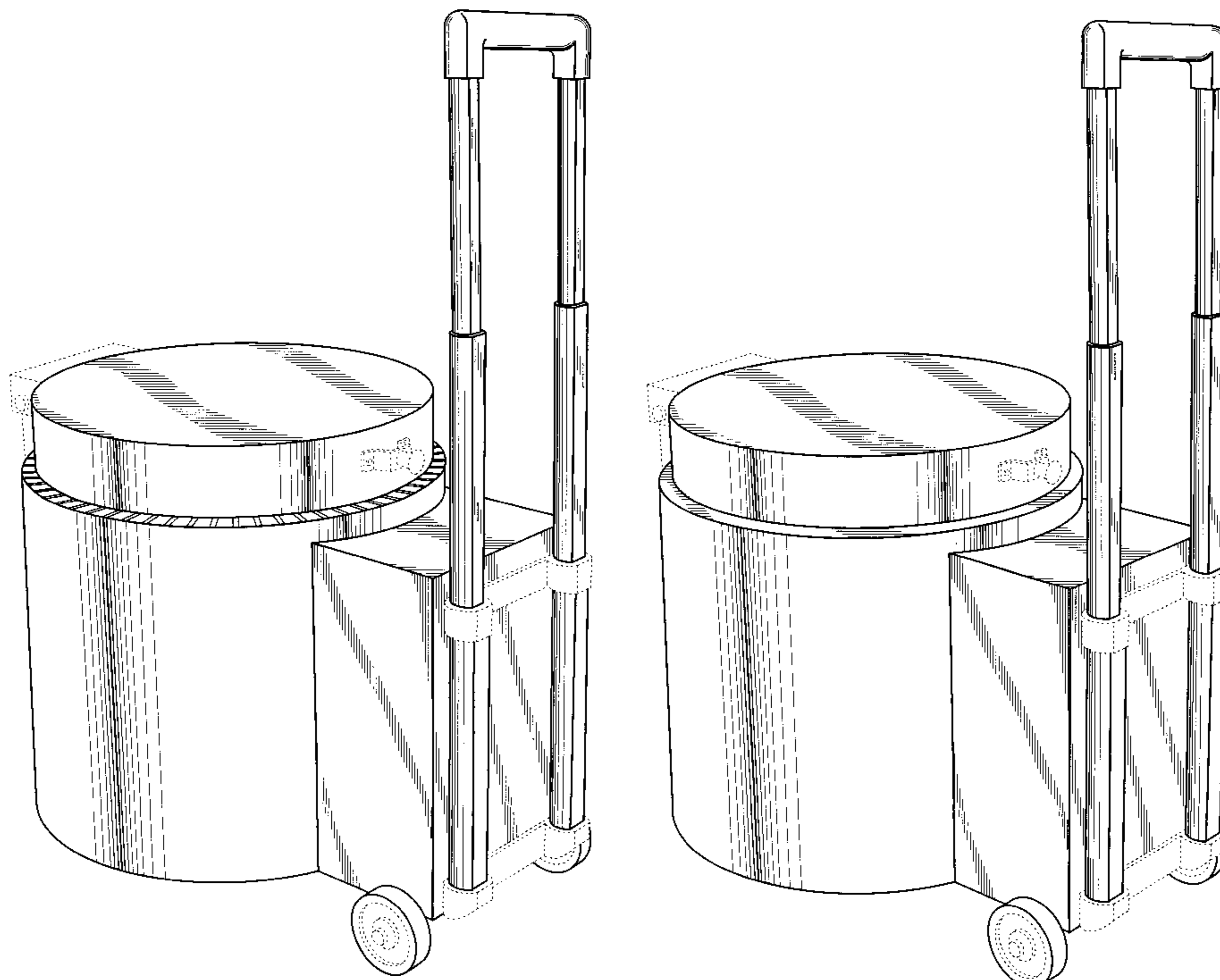
The left side and right side views of the alternative embodiment are shown in FIG. 2.

The front view of the alternative embodiment is shown in FIG. 3.

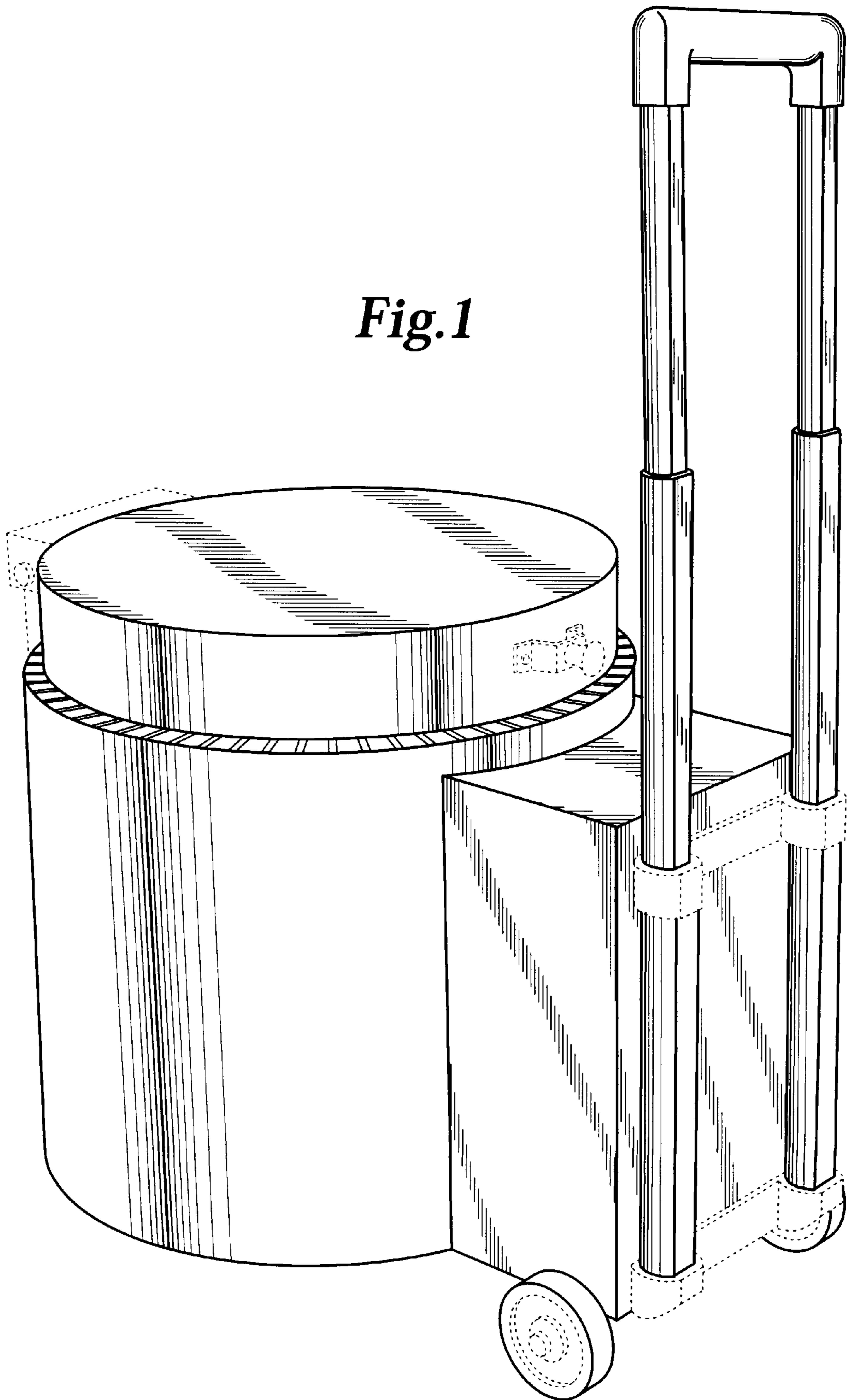
The rear view of the alternative embodiment is shown in FIG. 4.

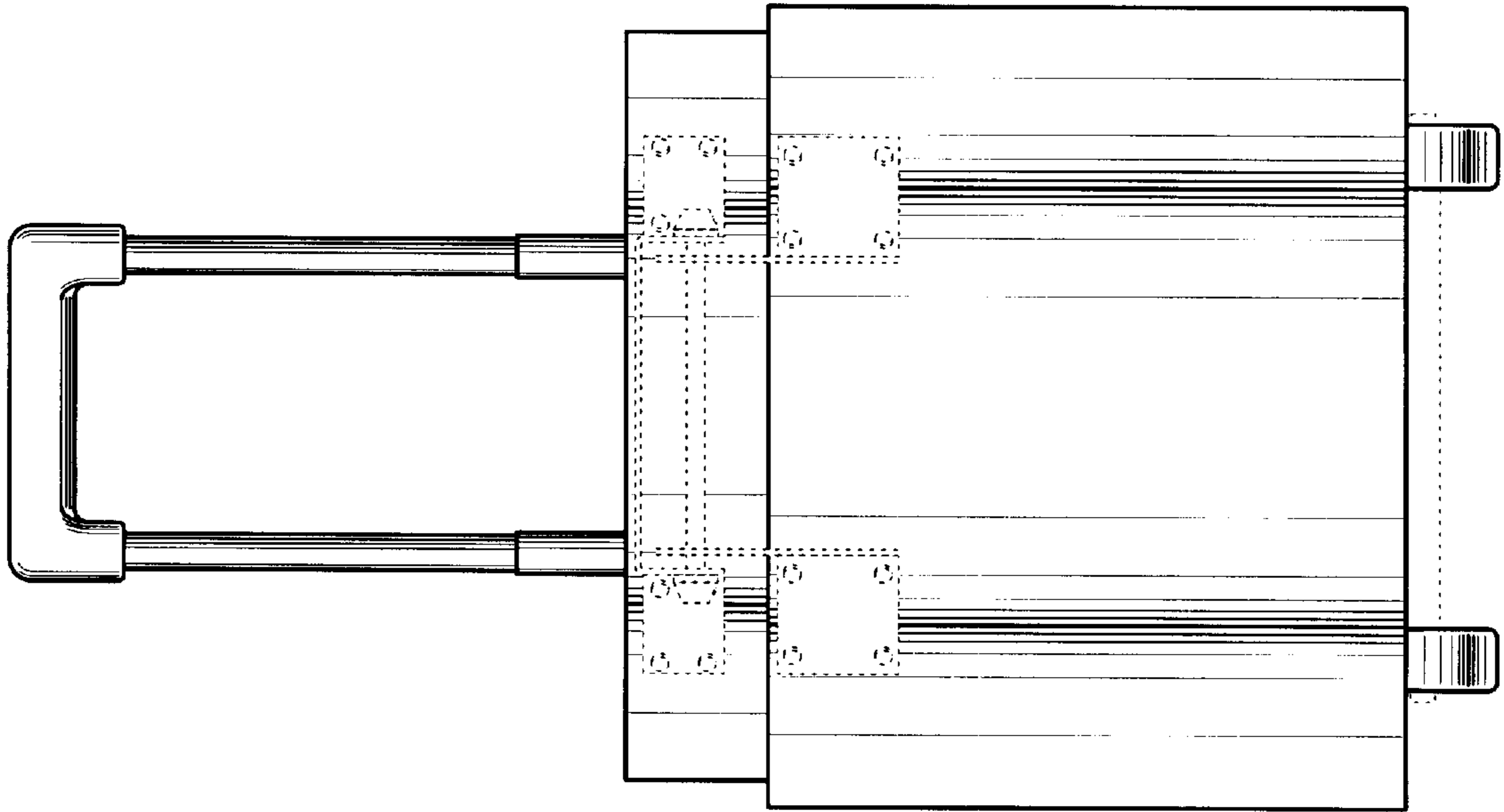
In both embodiments, the bottom view has been omitted and forms no part of the claimed design. The dashed lines appearing in all views represent environmental subject matter that forms no part of the claimed design.

**1 Claim, 4 Drawing Sheets**

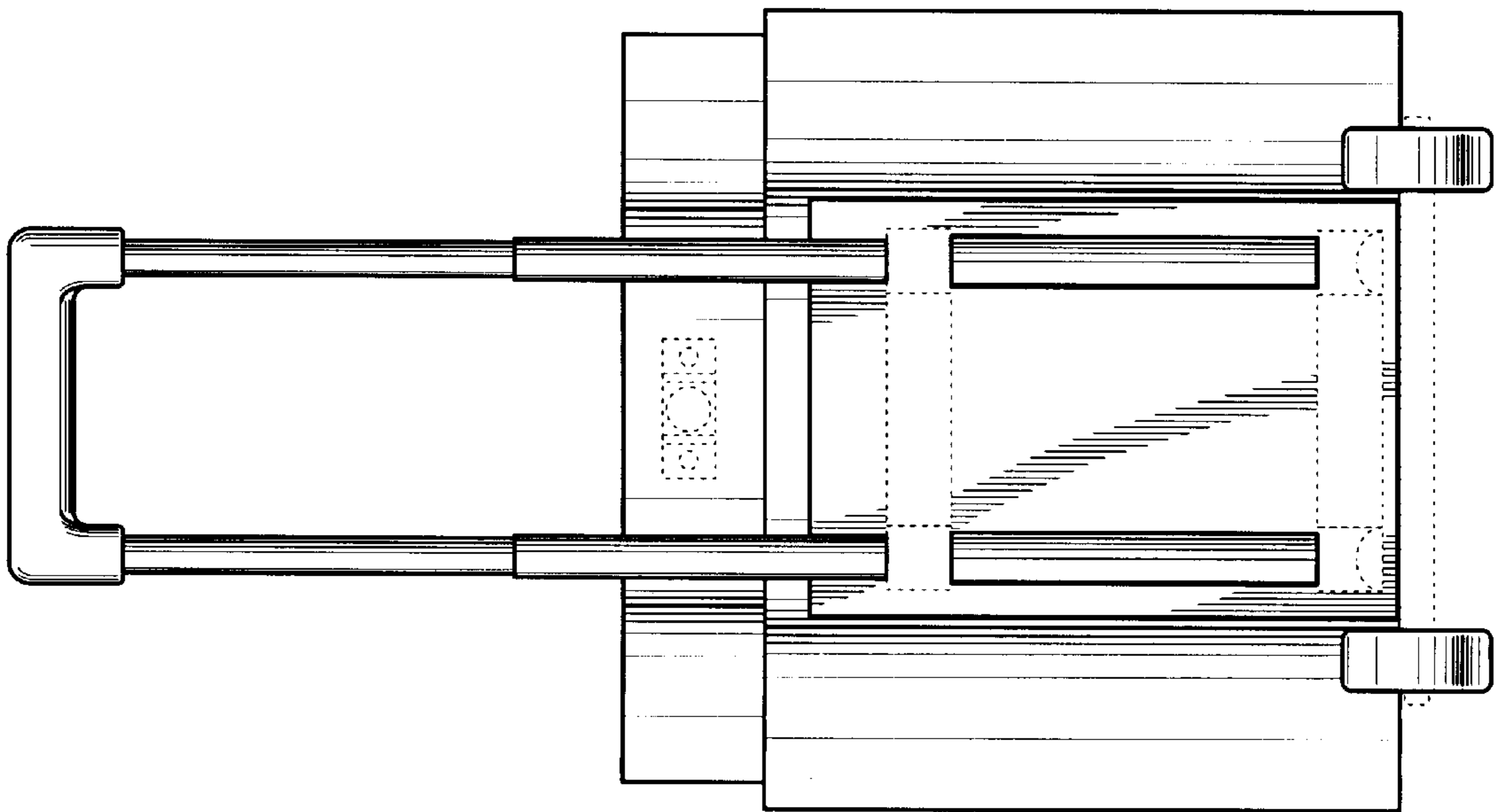


*Fig. 1*

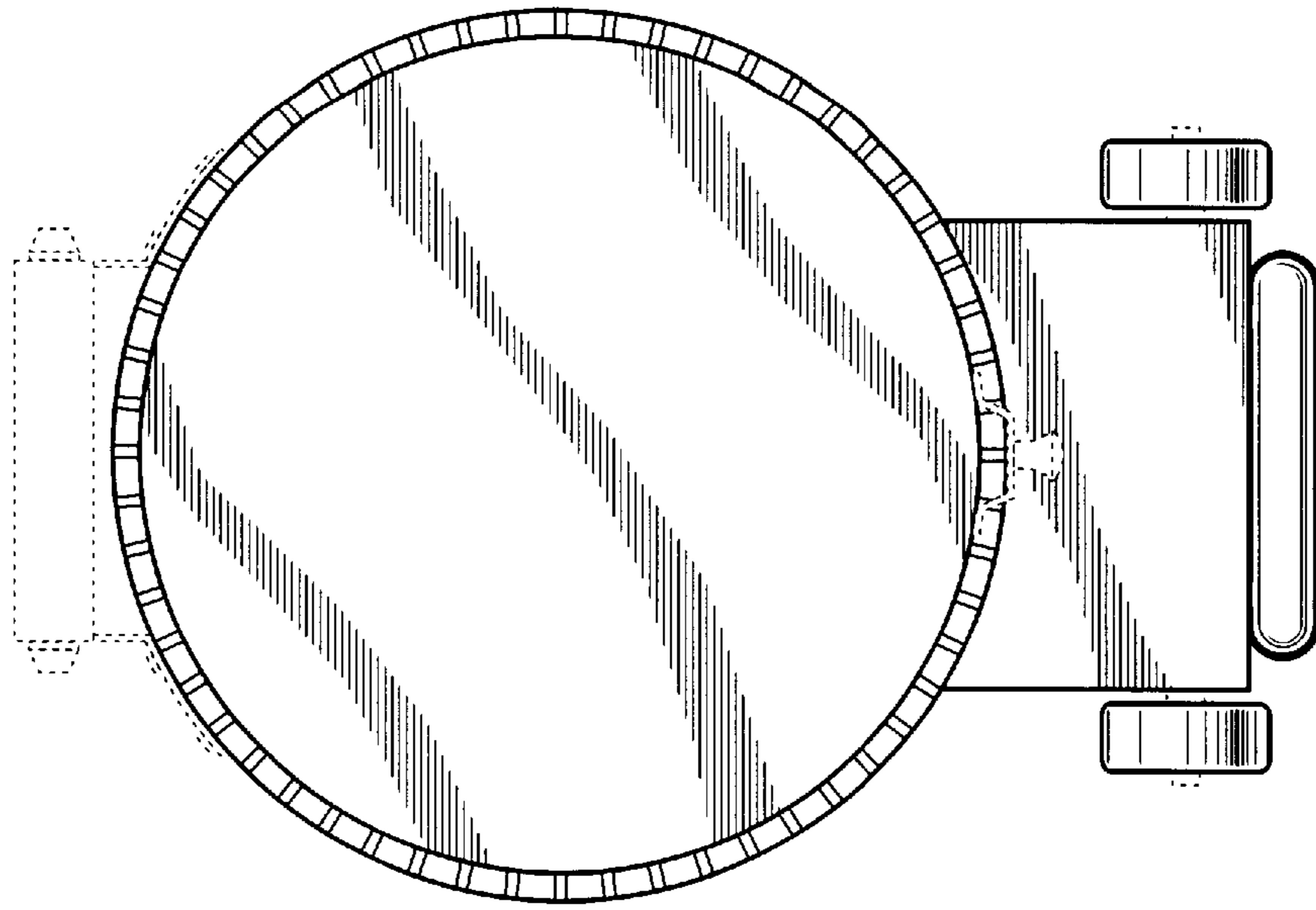




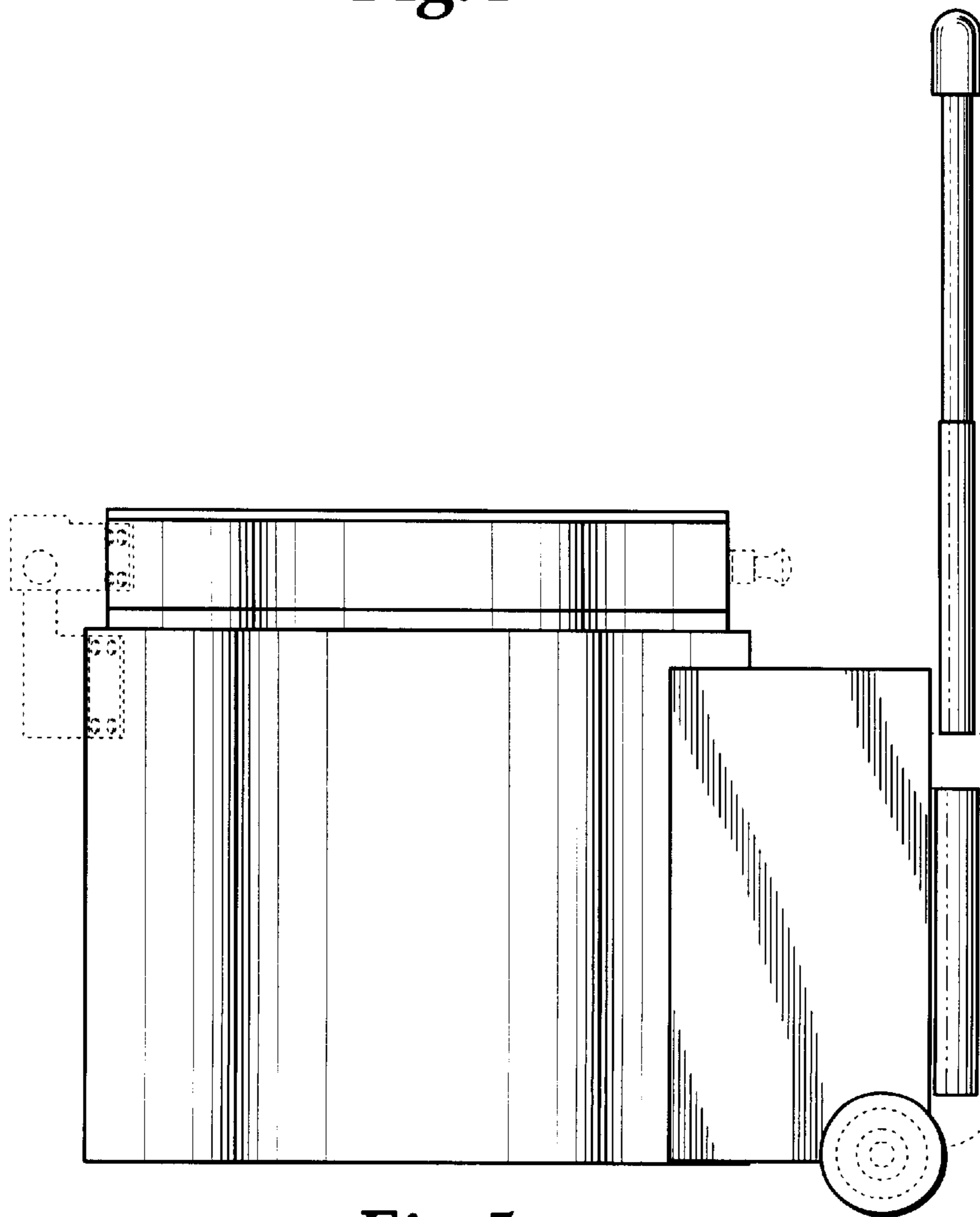
*Fig. 3*



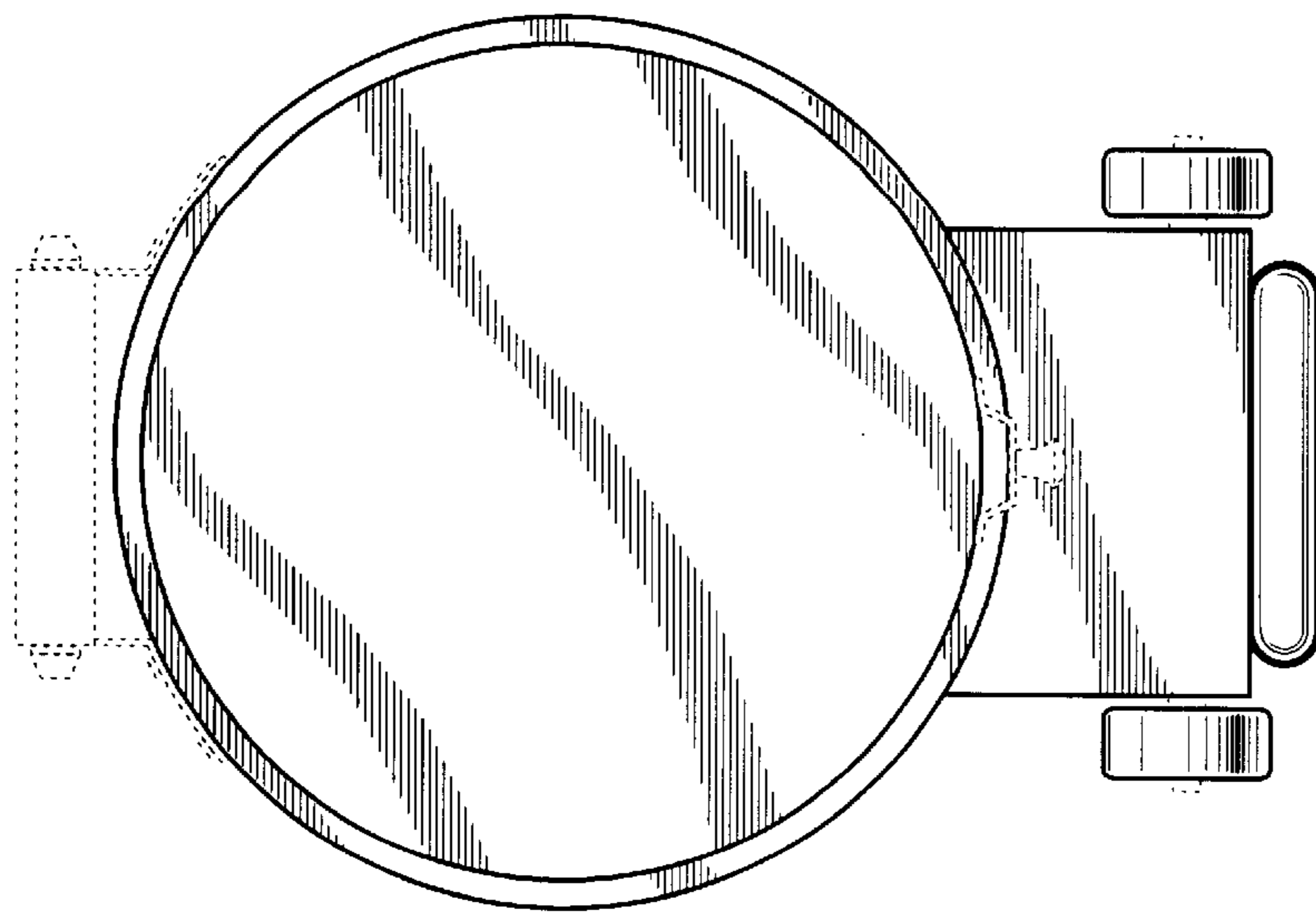
*Fig. 2*



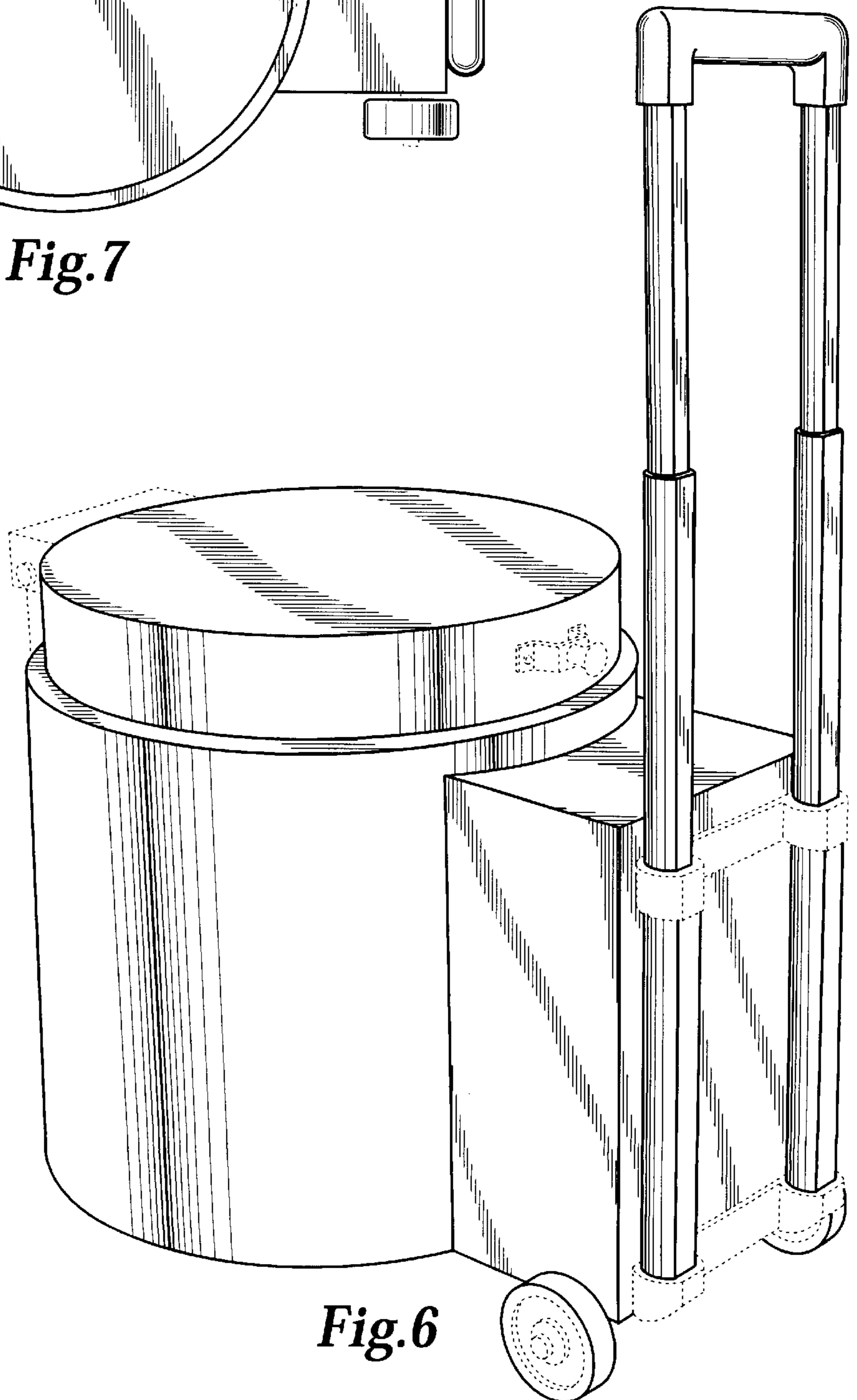
*Fig.4*



*Fig.5*



*Fig. 7*



*Fig. 6*