



US00D484896S

(12) **United States Design Patent**
Coli

(10) **Patent No.:** **US D484,896 S**

(45) **Date of Patent:** **** Jan. 6, 2004**

(54) **MASONRY STONE CUTTING MACHINE**

(75) **Inventor:** **Roberto Coli, Certaldo (IT)**

(73) **Assignee:** **Imer U.S.A., Inc., San Francisco, CA (US)**

(**) **Term:** **14 Years**

(21) **Appl. No.:** **29/172,051**

(22) **Filed:** **Dec. 4, 2002**

(51) **LOC (7) Cl.** **15-09**

(52) **U.S. Cl.** **D15/133; D15/127**

(58) **Field of Search** **D15/127, 133; 125/11.22, 12, 13.01, 13.03, 14, 23.01, 35; 451/11, 360, 411; 83/171, 372**

(56) **References Cited**

U.S. PATENT DOCUMENTS

- 3,559,631 A * 2/1971 Mangis 125/23.01
- 5,127,391 A * 7/1992 O'Keefe 125/13.01
- 6,000,387 A * 12/1999 Lee 125/13.01

- D418,846 S * 1/2000 Chen D15/127
- 6,073,621 A * 6/2000 Cetrangolo 125/12
- 6,080,041 A * 6/2000 Greenland 451/11
- D451,109 S * 11/2001 Governo et al. D15/133

* cited by examiner

Primary Examiner—Antoine Duval Davis

(74) *Attorney, Agent, or Firm*—McGdlew and Tuttle, P.C.

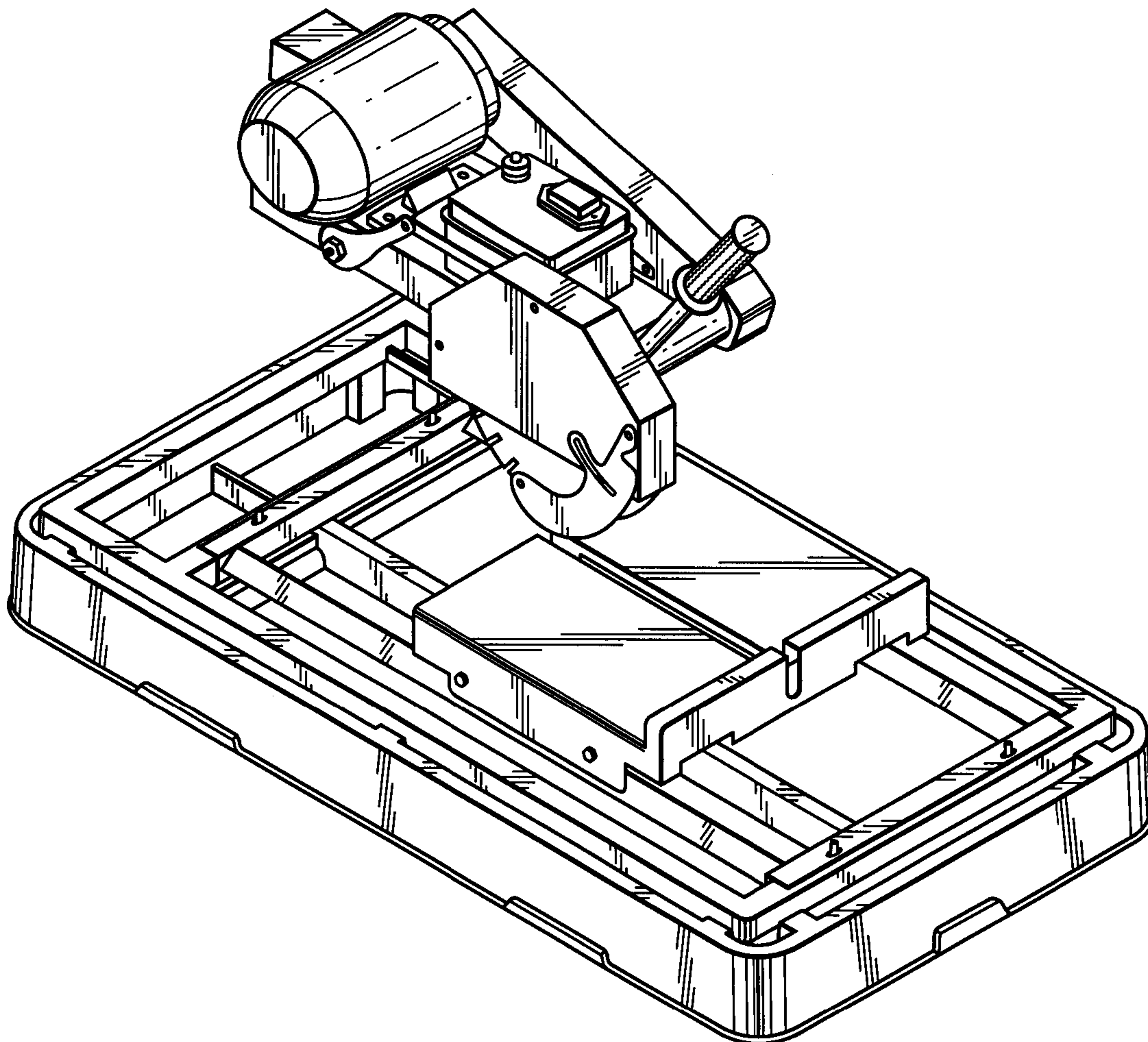
(57) **CLAIM**

The ornamental design for a masonry stone cutting machine, as shown and described.

DESCRIPTION

FIG. 1 is a perspective view of my new masonry and stone cutting machine;
 FIG. 2 is a top view thereof;
 FIG. 3 is a front end view thereof;
 FIG. 4 is a rear end view thereof;
 FIG. 5 is a right side view thereof; and,
 FIG. 6 is a left side view thereof.

1 Claim, 3 Drawing Sheets



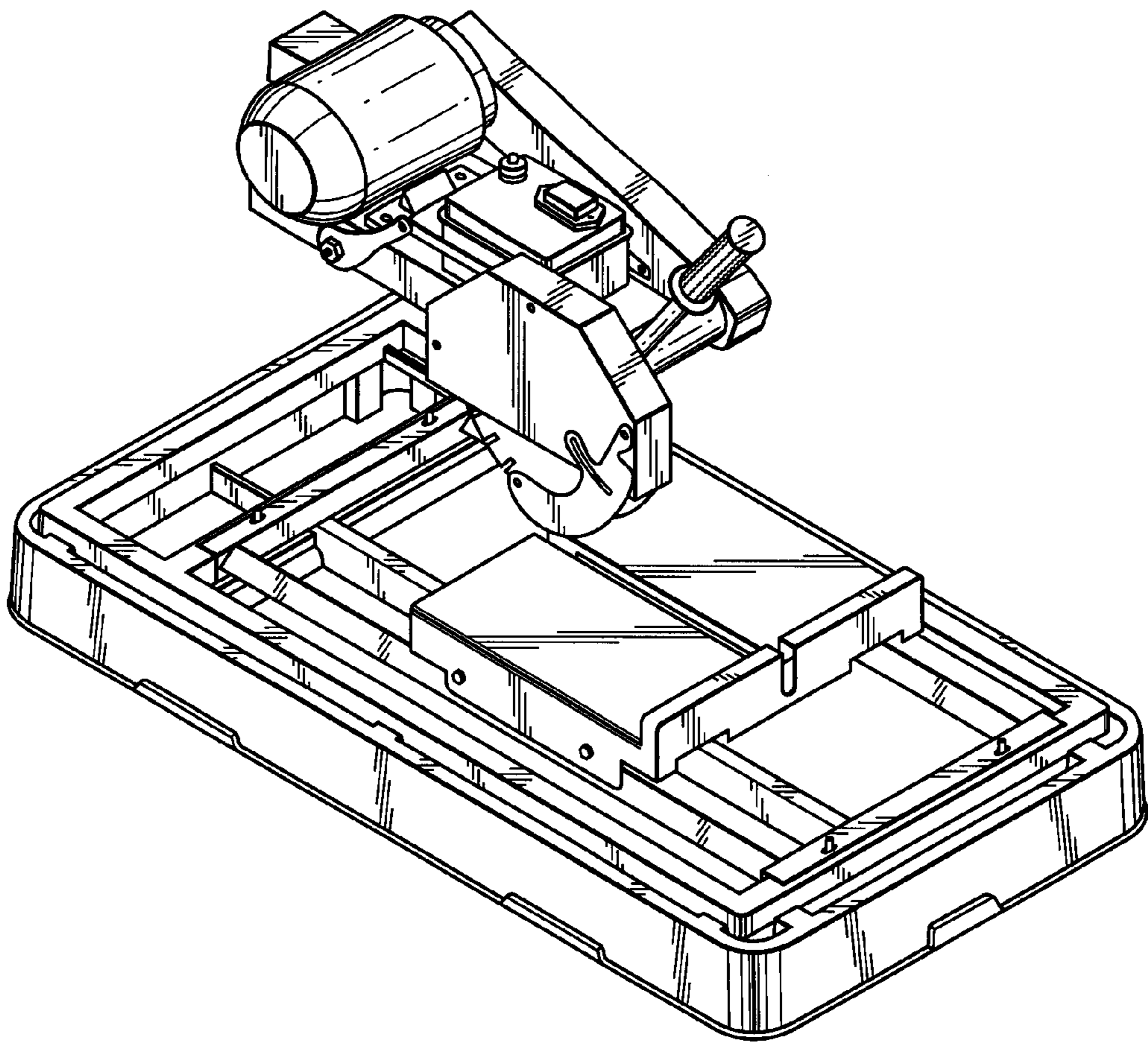


FIG. 1

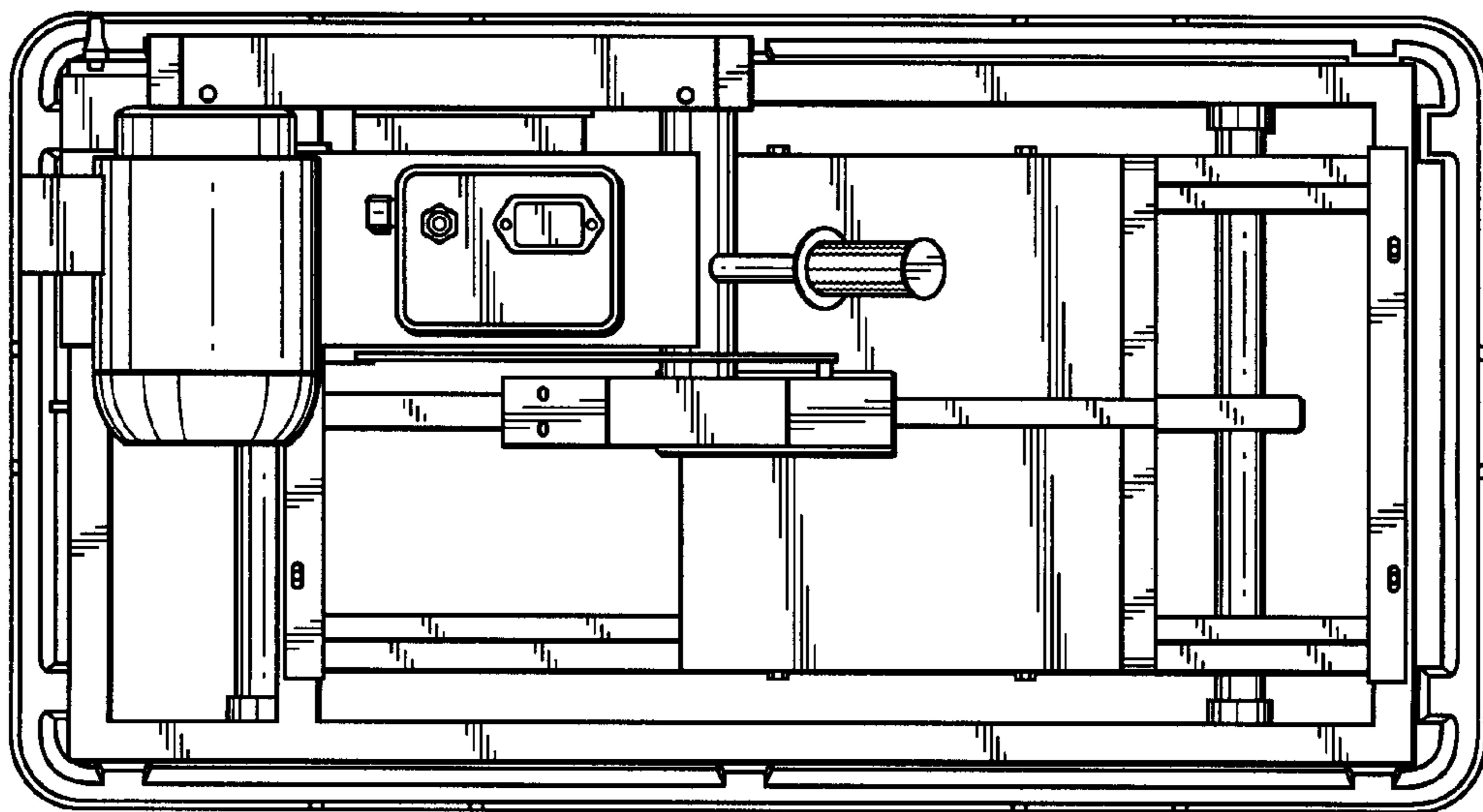


FIG. 2

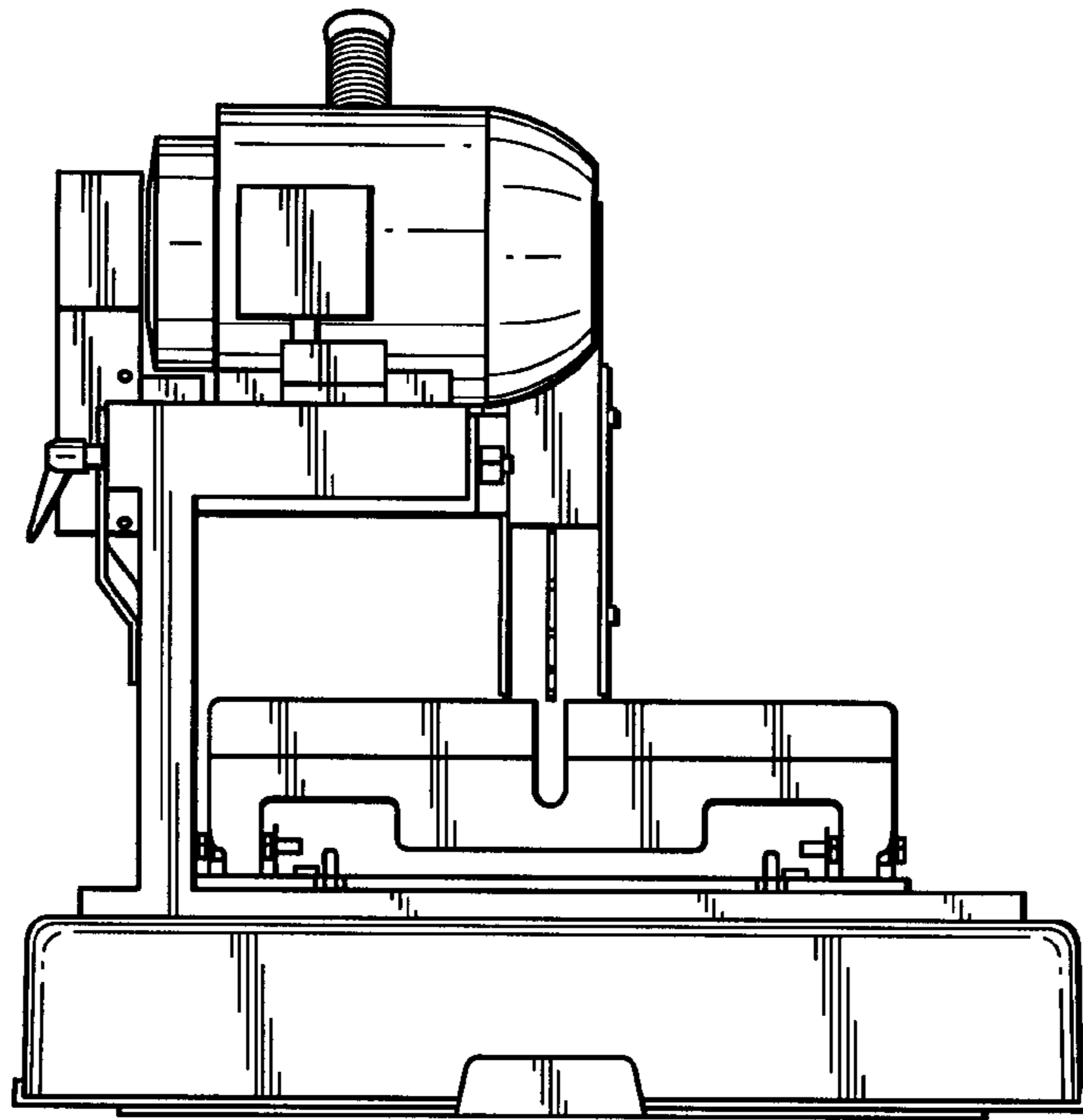


FIG. 3

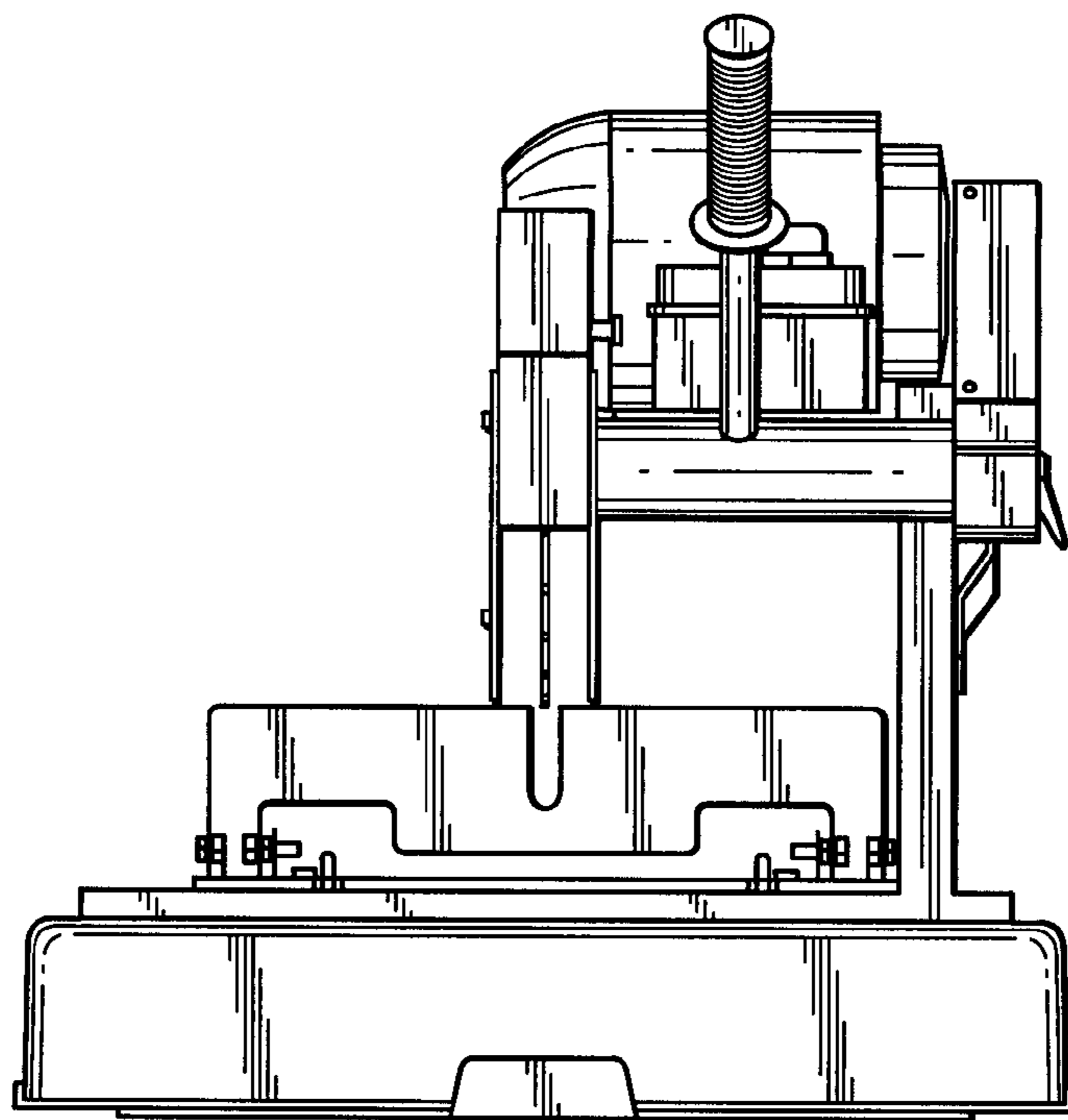


FIG. 4

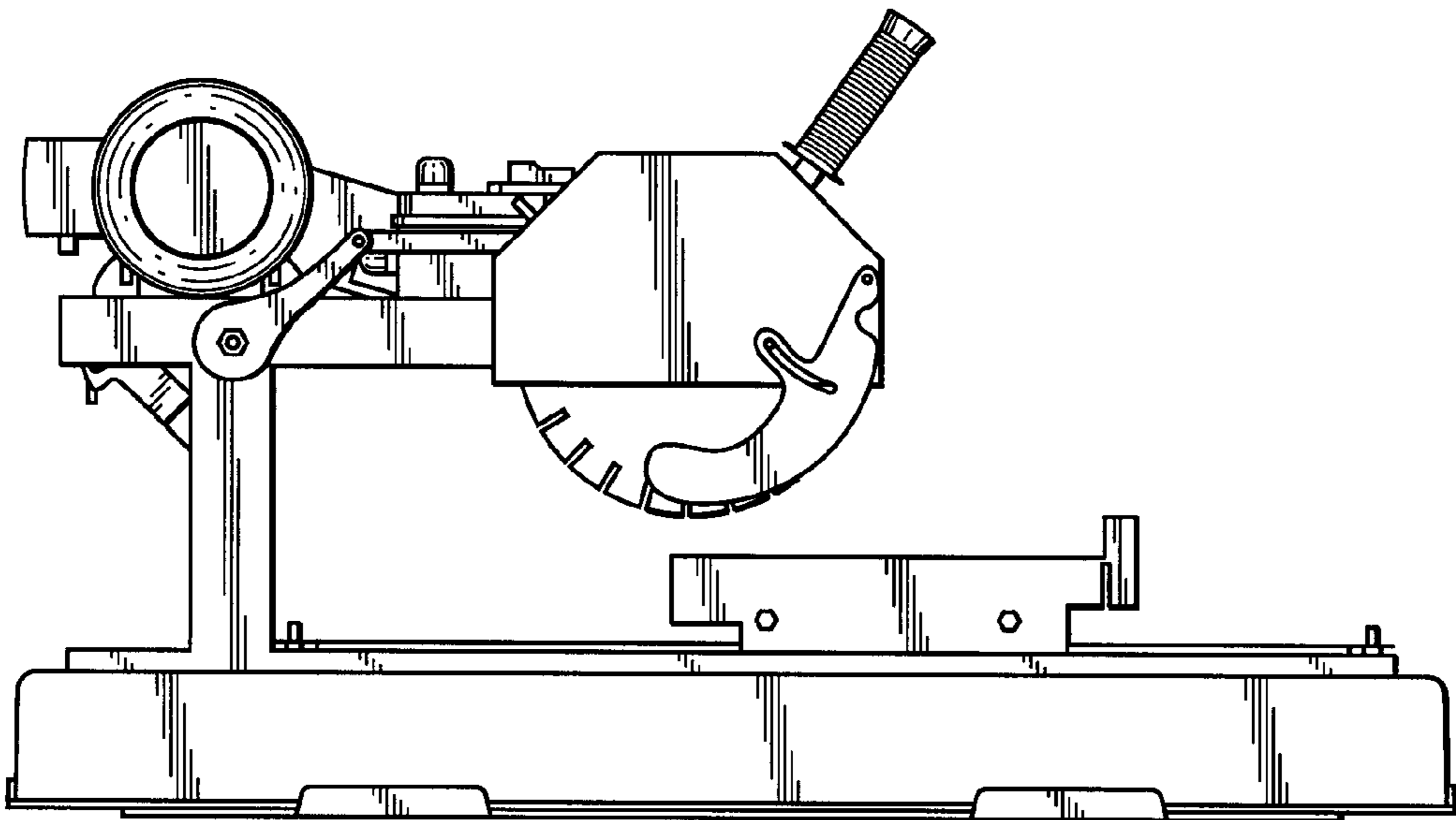


FIG. 5

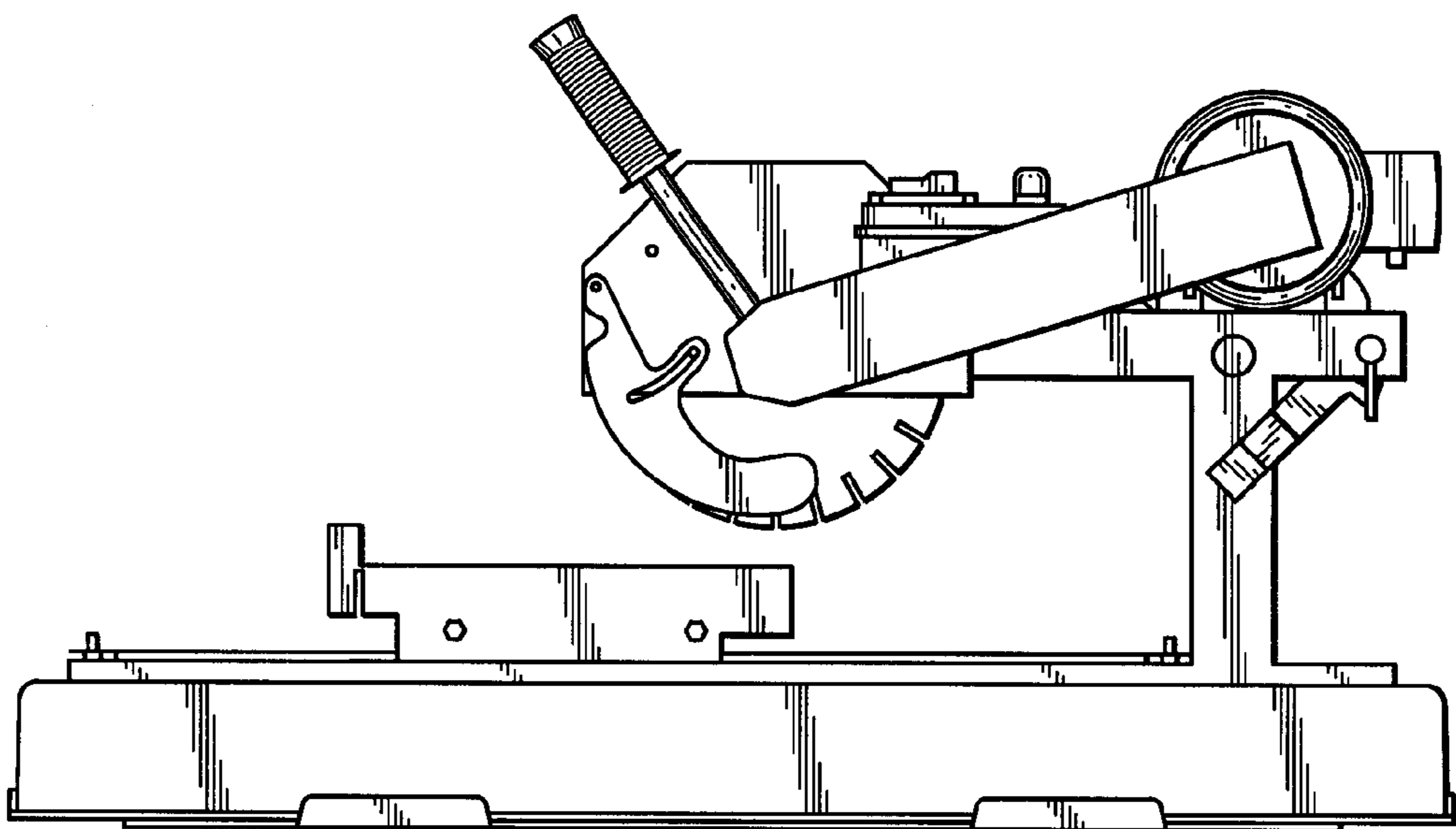


FIG. 6