



US00D484895S

(12) **United States Design Patent**
Coli

(10) **Patent No.:** **US D484,895 S**

(45) **Date of Patent:** **** Jan. 6, 2004**

(54) **MASONRY STONE CUTTING MACHINE**

6,073,621 A * 6/2000 Cetrangolo 125/12
6,080,041 A * 6/2000 Greenland 451/11
D451,109 S * 11/2001 Governo et al. D15/133

(75) Inventor: **Roberto Coli**, Certaldo (IT)

* cited by examiner

(73) Assignee: **Imer U.S.A., Inc.**, San Francisco, CA
(US)

Primary Examiner—Antoine Duval Davis
(74) *Attorney, Agent, or Firm*—McGlew and Tuttle, P.C.

(**) Term: **14 Years**

(57) **CLAIM**

(21) Appl. No.: **29/165,924**

The ornamental design for a masonry stone cutting machine,
as shown and described.

(22) Filed: **Aug. 19, 2002**

DESCRIPTION

(51) **LOC (7) Cl.** **15-09**

(52) **U.S. Cl.** **D15/133; D15/127**

(58) **Field of Search** D15/127, 133;
125/23.01, 13.01, 12, 13.03, 14, 35, 11.22;
451/11, 411, 360; 83/372, 171

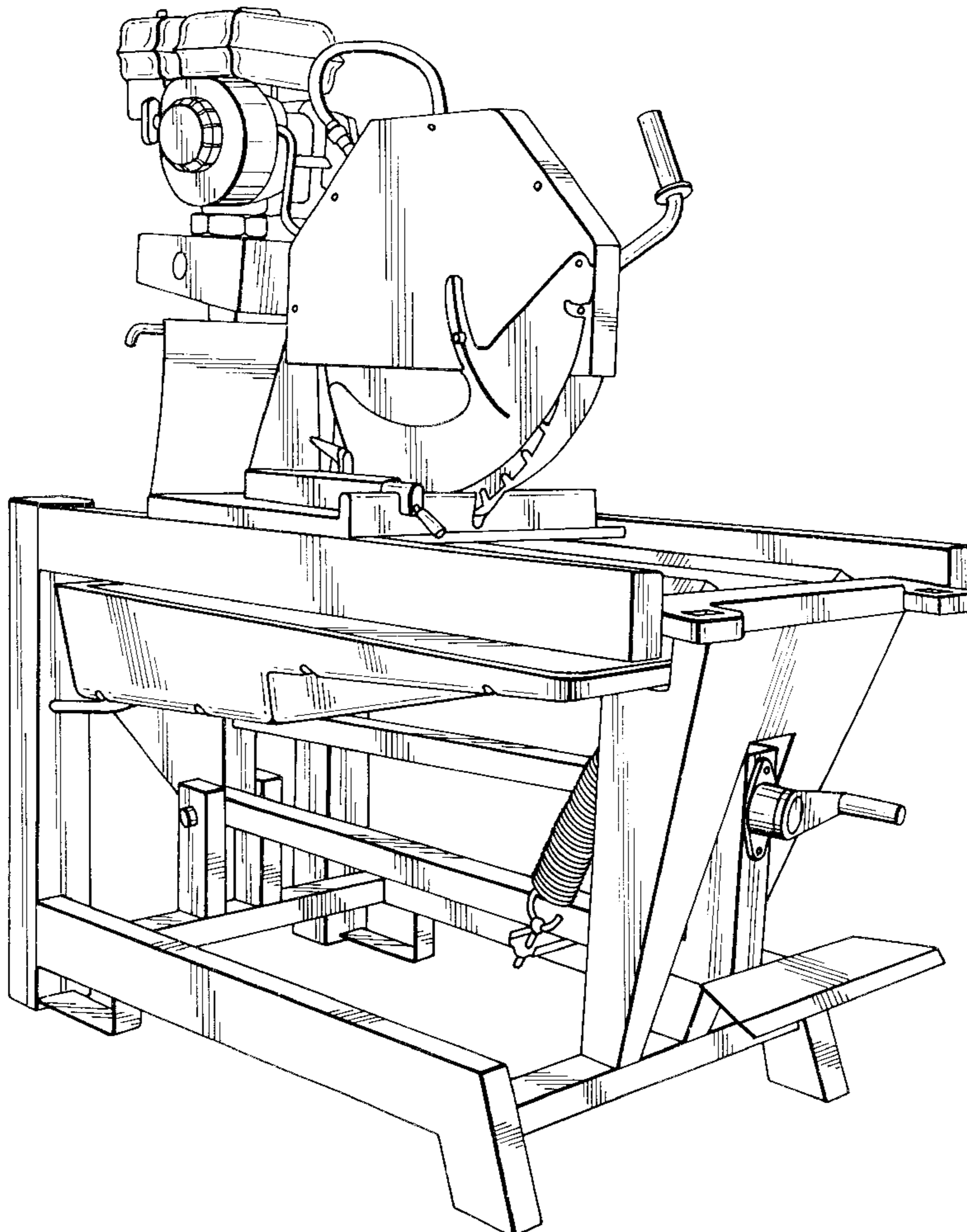
FIG. 1 is a right front perspective view of my new masonry
stone cutting machine;
FIG. 2 is a right rear perspective view thereof;
FIG. 3 is a front view thereof;
FIG. 4 is a left end view thereof
FIG. 5 is a right end view thereof;
FIG. 6 is a rear view thereof;
FIG. 7 is a bottom view thereof showing fork lift forks
engaging a bottom of the machine to view the bottom; and,
FIG. 8 is a top view thereof.

(56) **References Cited**

U.S. PATENT DOCUMENTS

3,559,631 A * 2/1971 Mangis 125/23.01
5,127,391 A * 7/1992 O'Keefe 125/13.01
6,000,387 A * 12/1999 Lee 125/13.01
D418,846 S * 1/2000 Chen D15/127

1 Claim, 8 Drawing Sheets



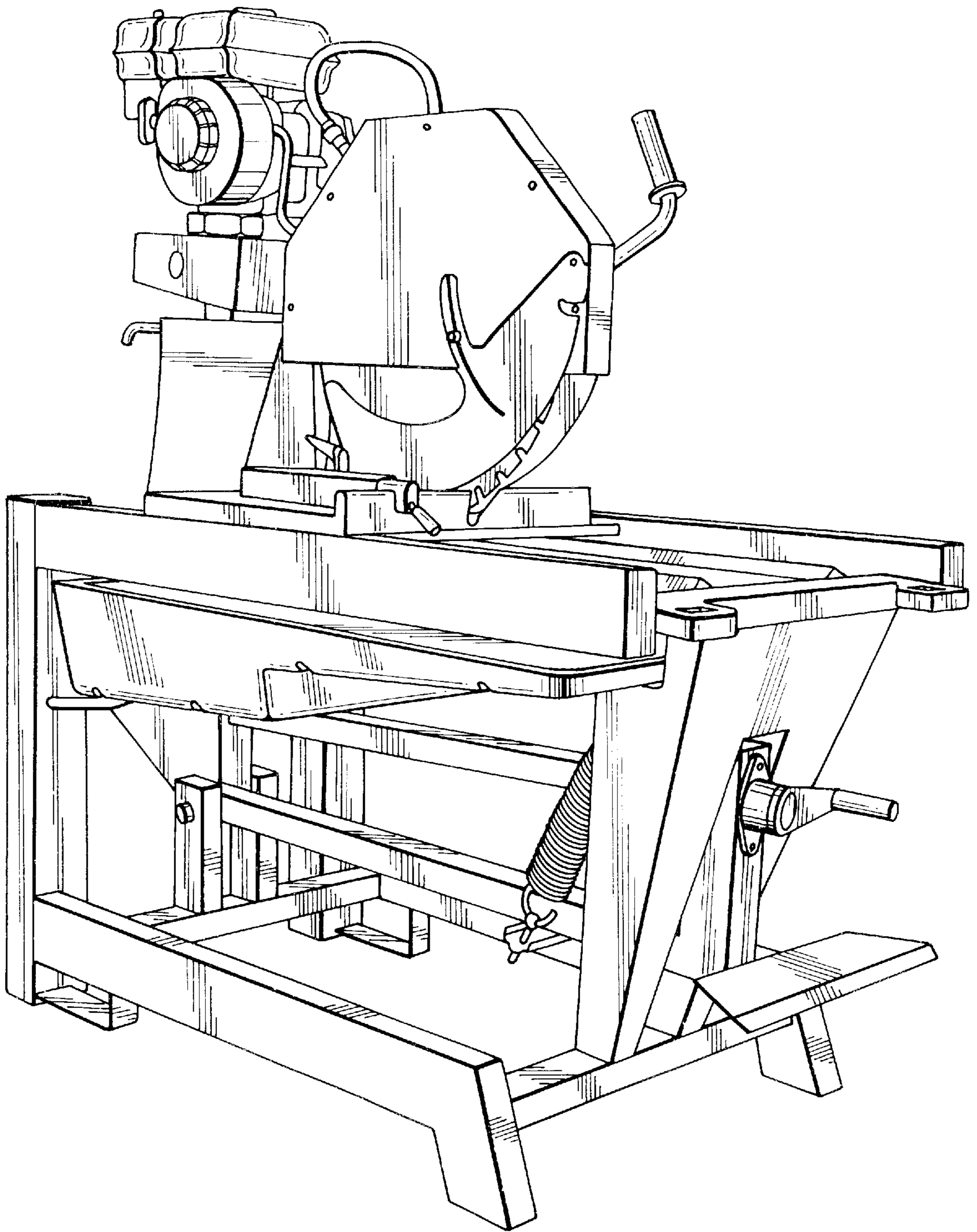


FIG. 1

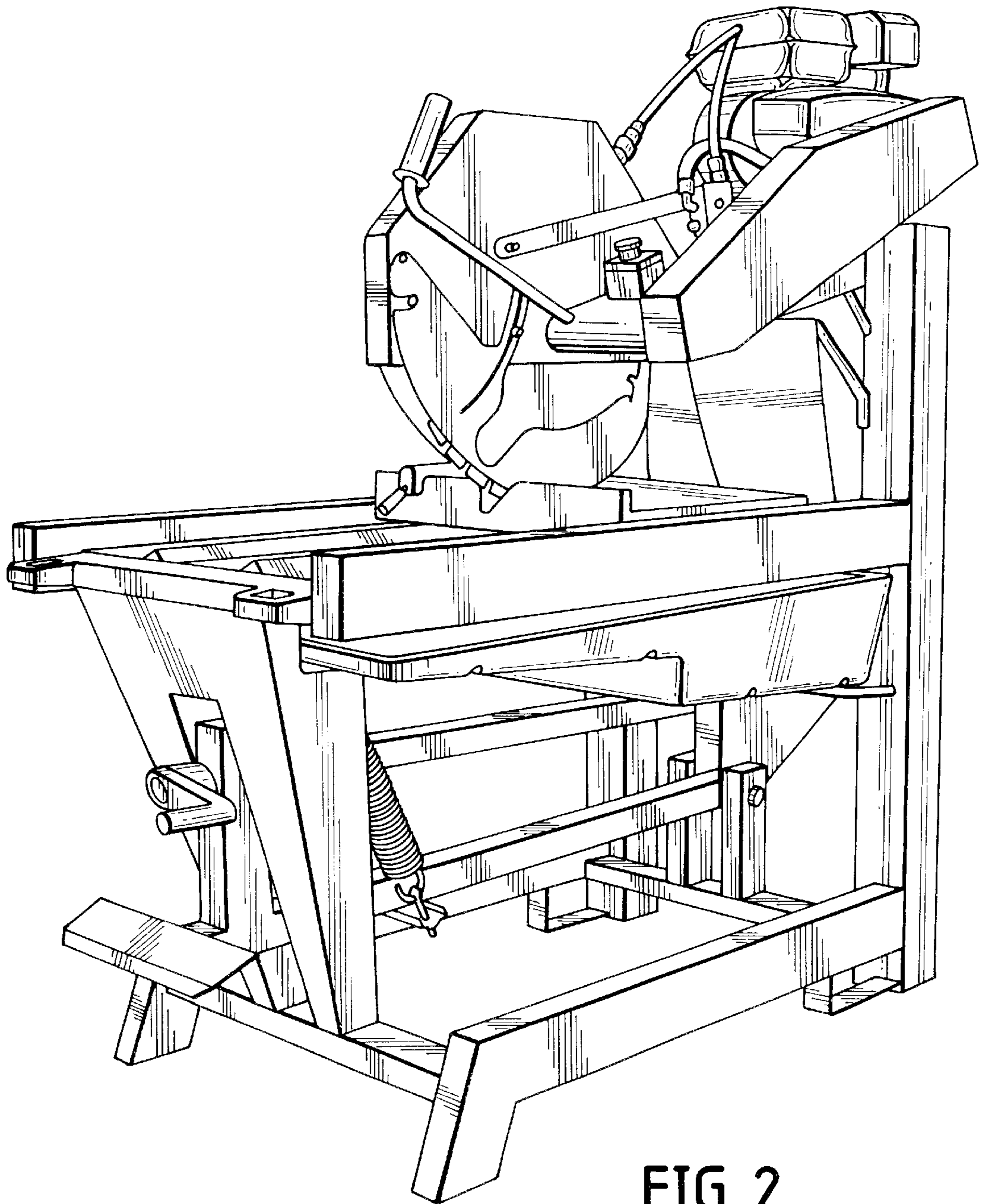


FIG. 2

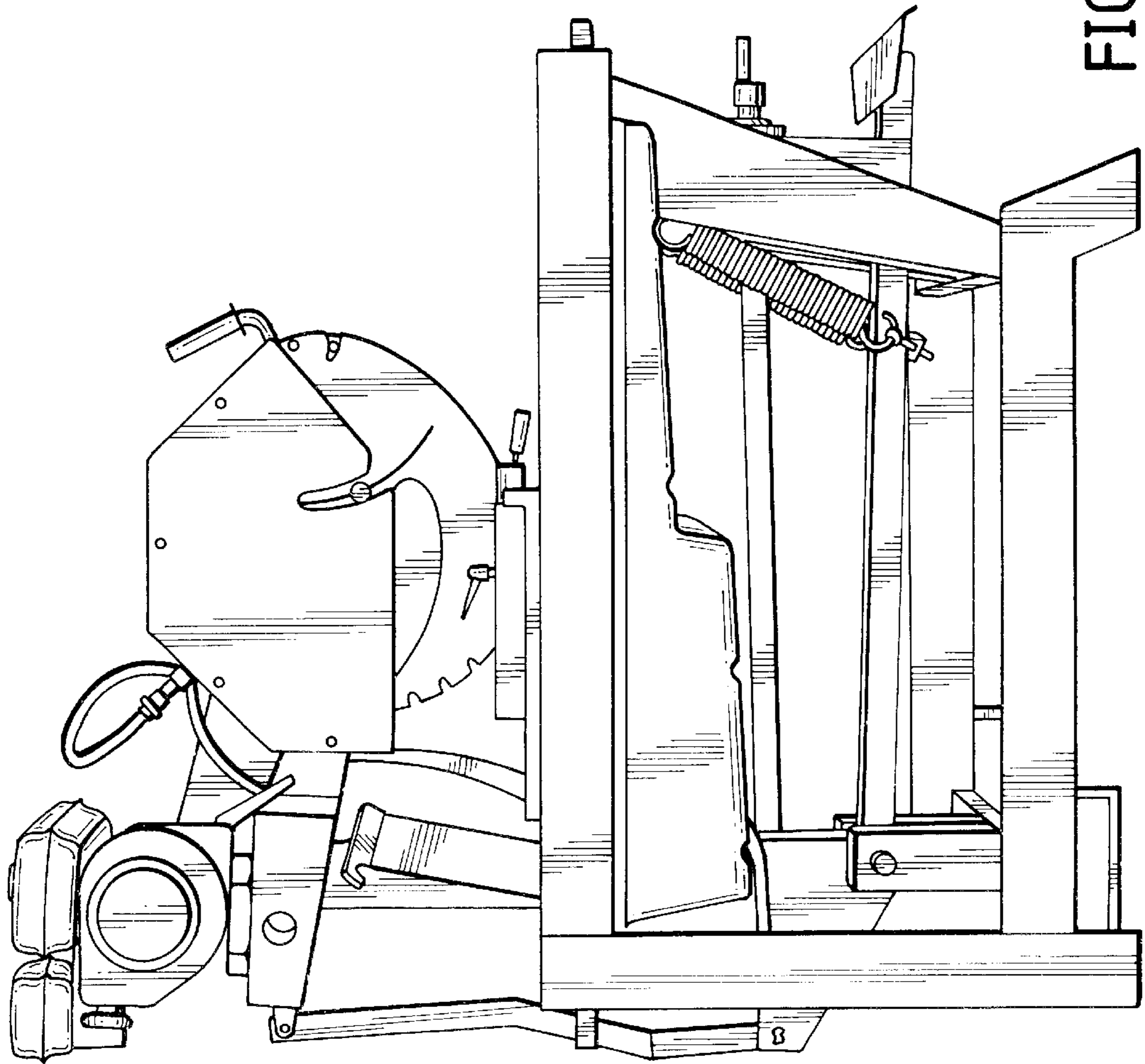


FIG. 3

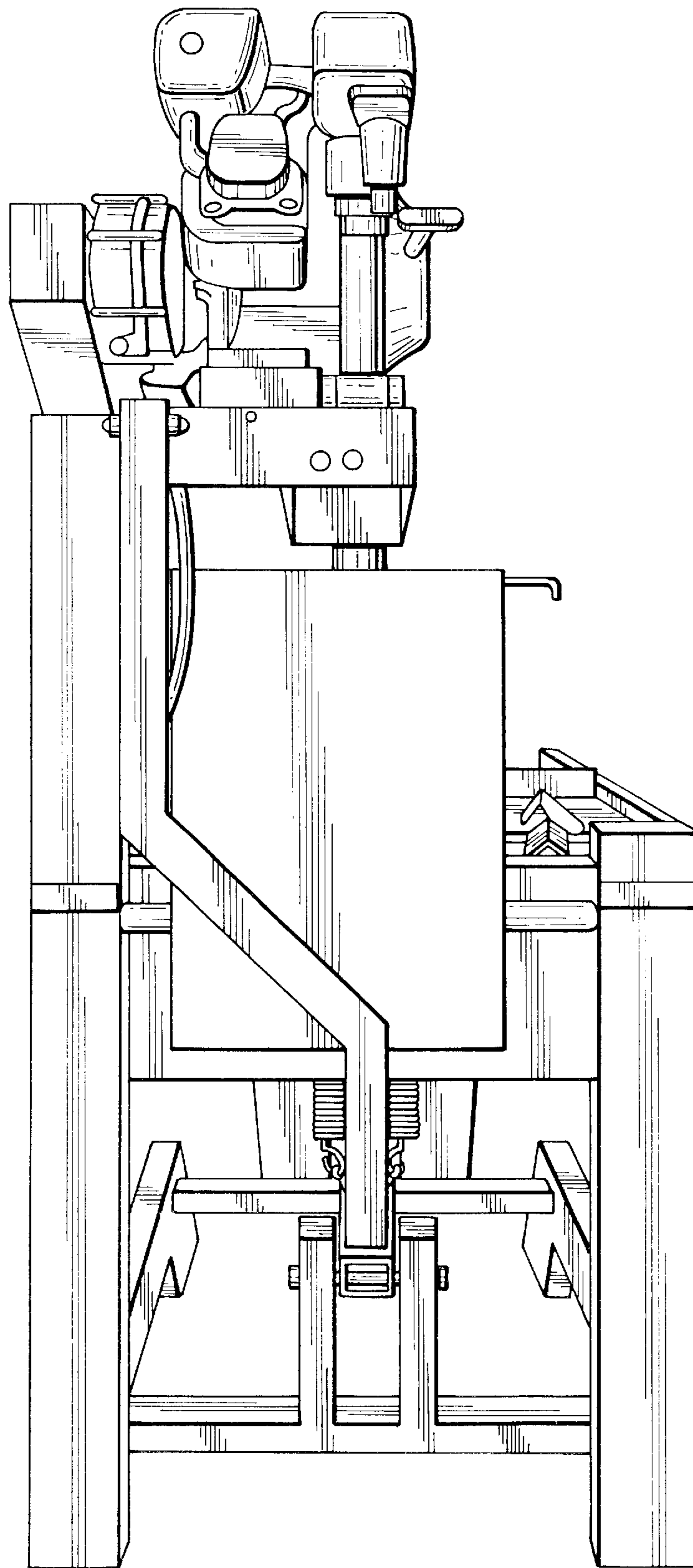


FIG. 4

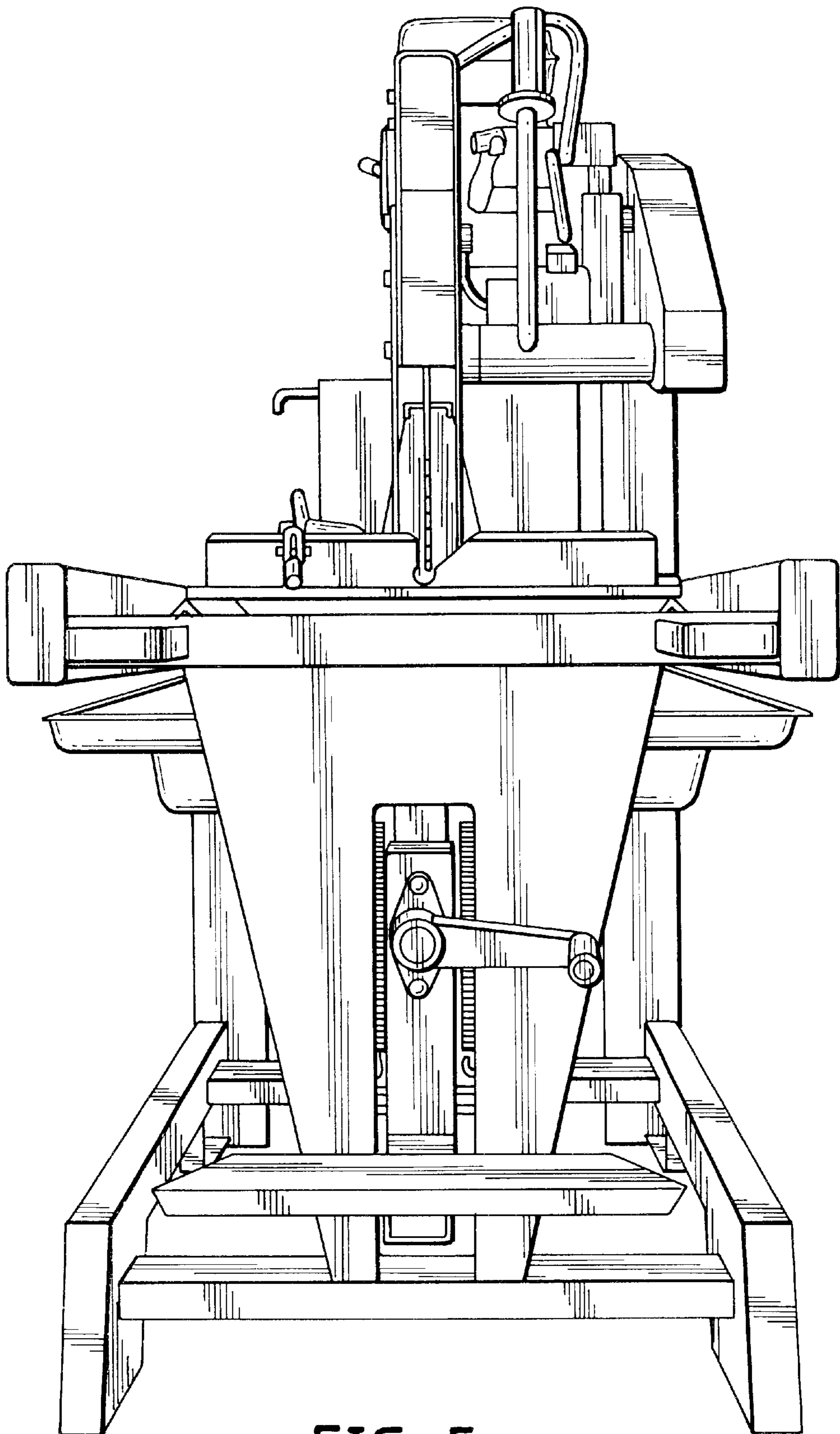


FIG. 5

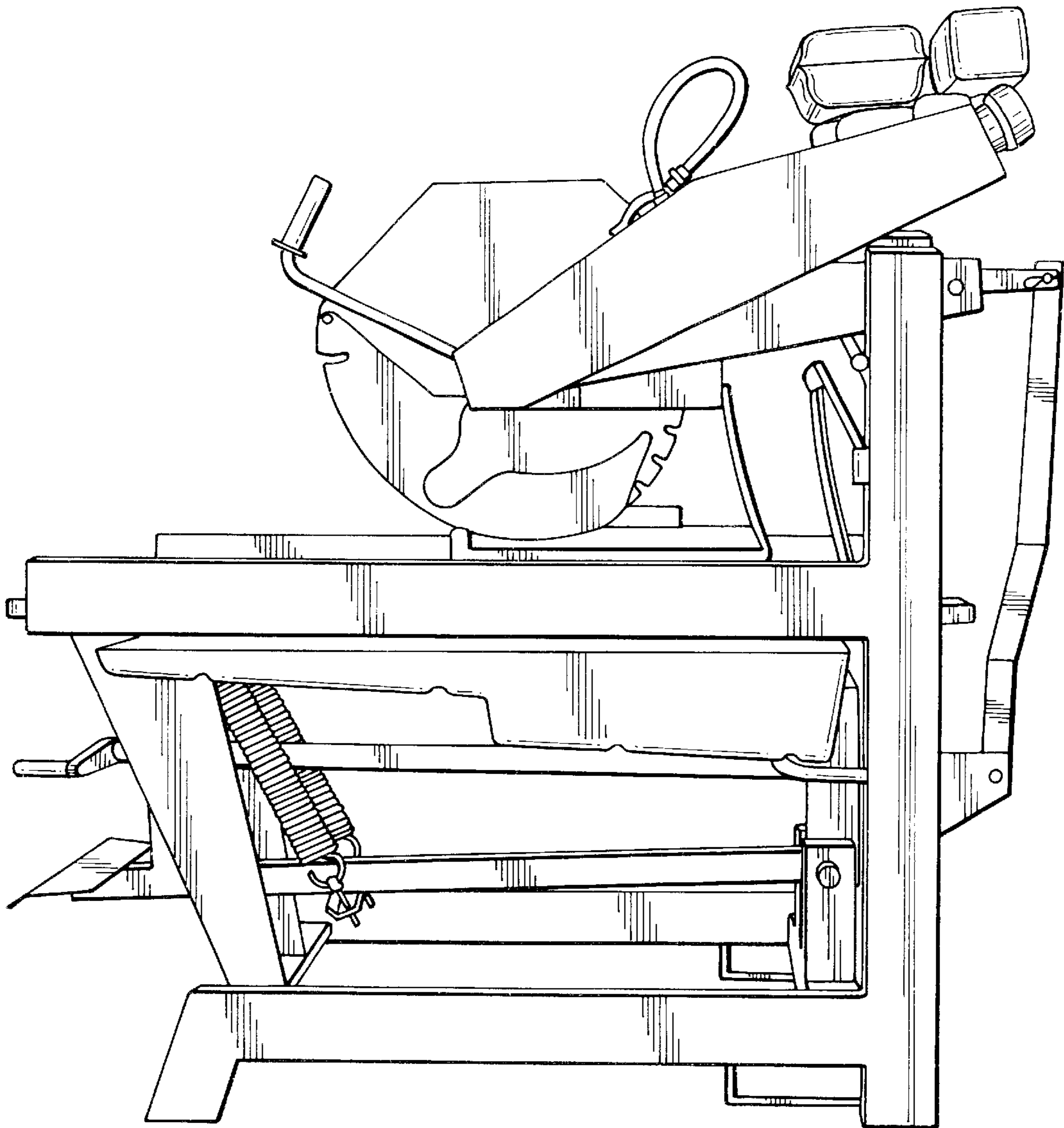


FIG. 6

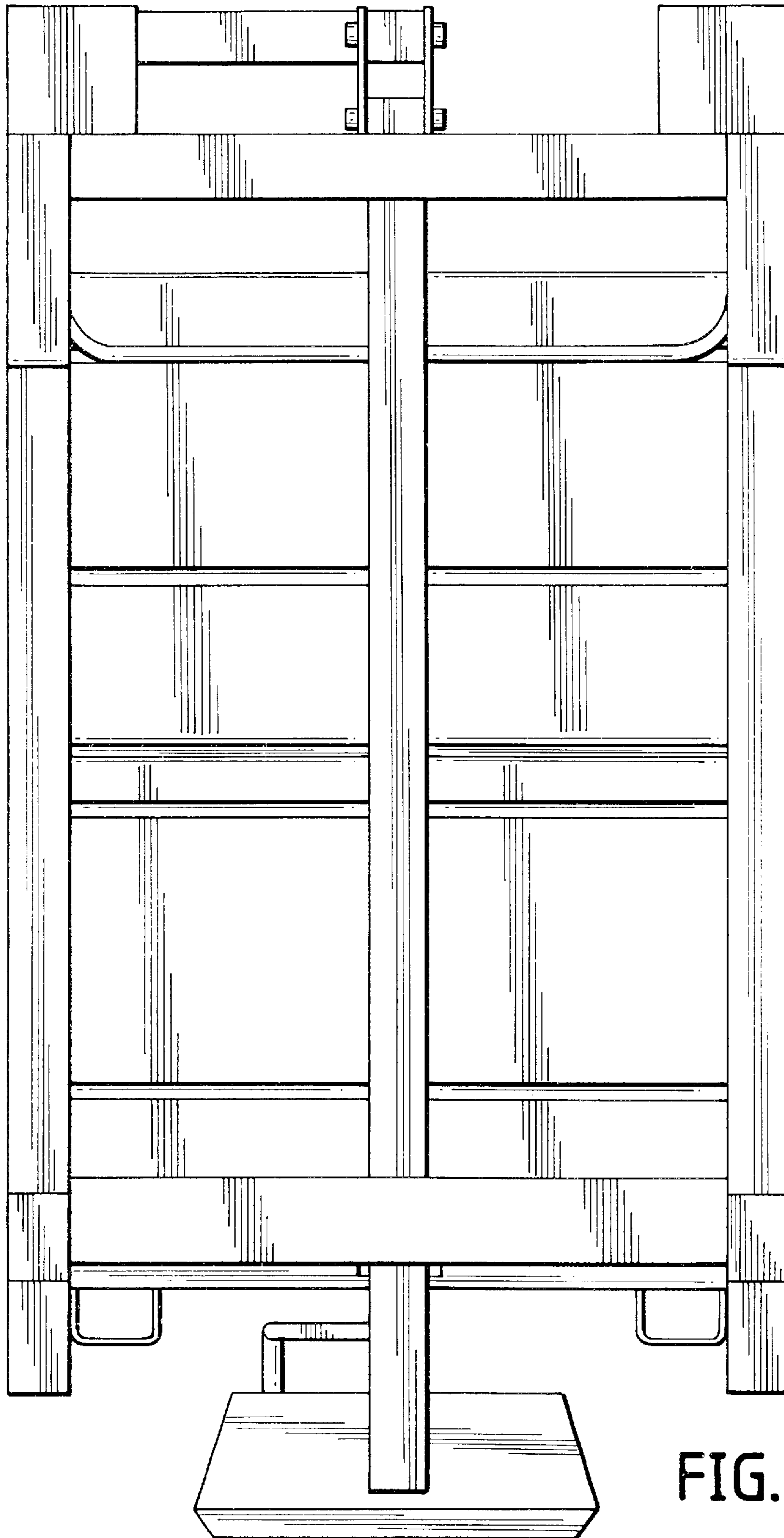


FIG. 7

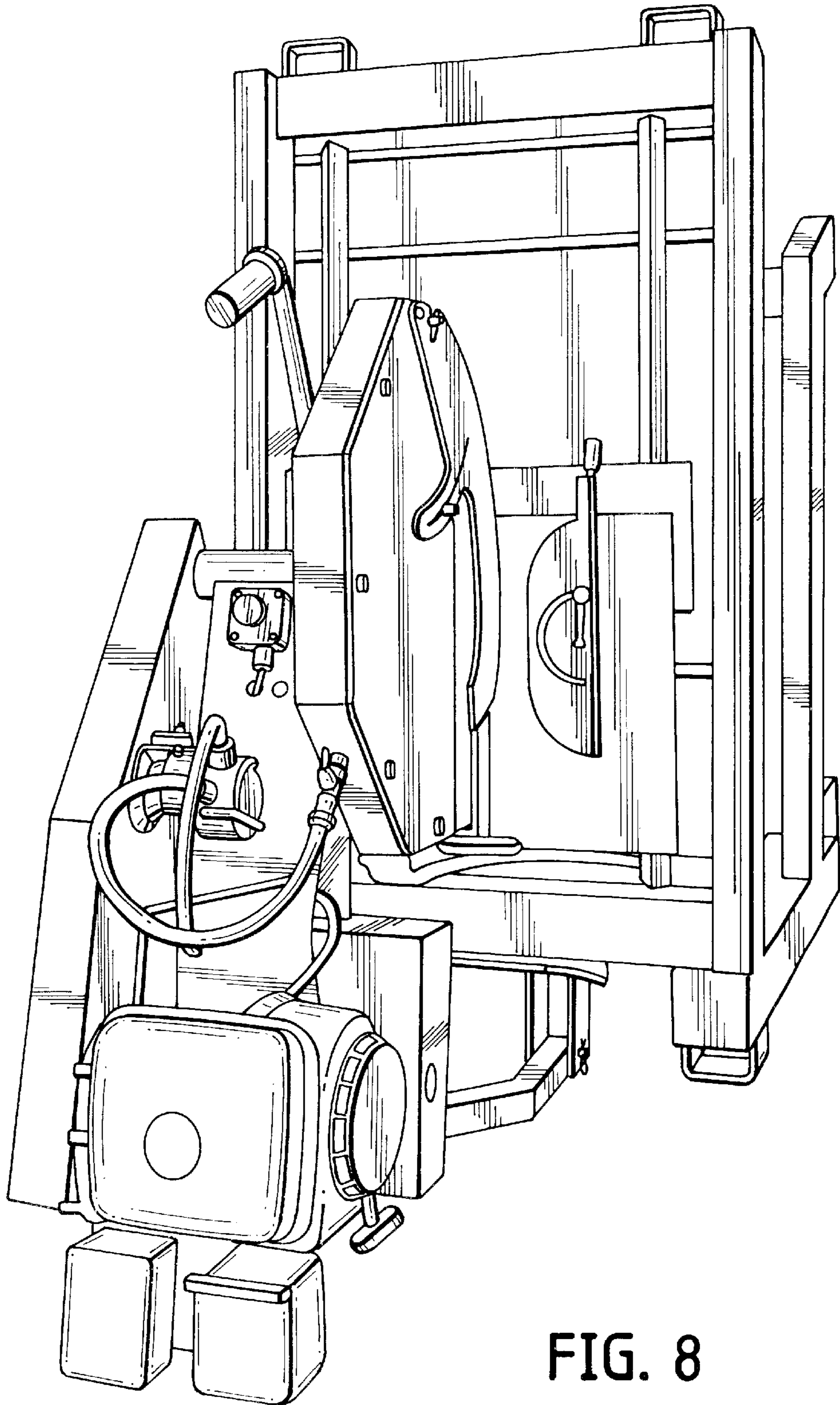


FIG. 8