



US00D484894S

(12) **United States Design Patent**  
**McCord et al.**

(10) **Patent No.: US D484,894 S**

(45) **Date of Patent: \*\* Jan. 6, 2004**

(54) **FENDER DECK**

(75) Inventors: **Christopher Thomas McCord**,  
Thomson, GA (US); **Russell William  
Strong**, Craftsbury Common, VT (US);  
**John David Sundberg**, Martinez, GA  
(US); **Marlin Lavon Goodnight**,  
Evans, GA (US)

(73) Assignee: **Deere & Company**, Moline, IL (US)

(\*\*) Term: **14 Years**

(21) Appl. No.: **29/170,346**

(22) Filed: **Nov. 1, 2002**

(51) **LOC (7) Cl. .... 15-03**

(52) **U.S. Cl. .... D15/28**

(58) **Field of Search** ..... D15/22-26, 14,  
D15/15, 28, 33; 56/15.9, 13.3, 13.6, 16.1,  
15.8, 205, 255, 294, 320.1, 320.2; 180/69.2,  
59.1, 89.12, 89.13, 900, 273

(56) **References Cited**

**U.S. PATENT DOCUMENTS**

D209,043 S	*	10/1967	Purcell	.....	D15/28
D310,374 S		9/1990	Westimayer et al.	.....	D15/15
D326,660 S		6/1992	Flenniken et al.	.....	D15/17
D365,573 S		12/1995	Westimayer et al.	.....	D15/17
D440,233 S	*	4/2001	Smith	.....	D15/17
D440,982 S	*	4/2001	Knight et al.	.....	D15/23
D447,491 S		9/2001	Goebert et al.	.....	D15/17
D448,036 S		9/2001	Goebert et al.	.....	D15/17
D448,390 S	*	9/2001	Westimayer et al.	.....	D15/28

D449,056 S	*	10/2001	Westimayer et al.	.....	D15/28
D453,777 S	*	2/2002	Williams	.....	D15/33
D460,088 S	*	7/2002	Hohnl et al.	.....	D15/33

\* cited by examiner

*Primary Examiner*—Mitchell Siegel

(57) **CLAIM**

The ornamental design for a fender deck, as shown and described.

**DESCRIPTION**

FIG. 1 is a left front elevated perspective view of a fender deck showing our new design.

FIG. 2 is a front view of the fender deck design of FIG. 1.

FIG. 3 is a rear view of the fender deck design of FIG. 1.

FIG. 4 is a plan view of the fender deck design of FIG. 1.

FIG. 5 is a left side view of the fender deck design of FIG. 1.

FIG. 6 is a right side view of the fender deck design of FIG. 1.

FIG. 7 is a right front elevated perspective view of a fender deck showing a second embodiment of our new design.

FIG. 8 is a front view of the fender deck design of FIG. 7.

FIG. 9 is a rear view of the fender deck design of FIG. 7.

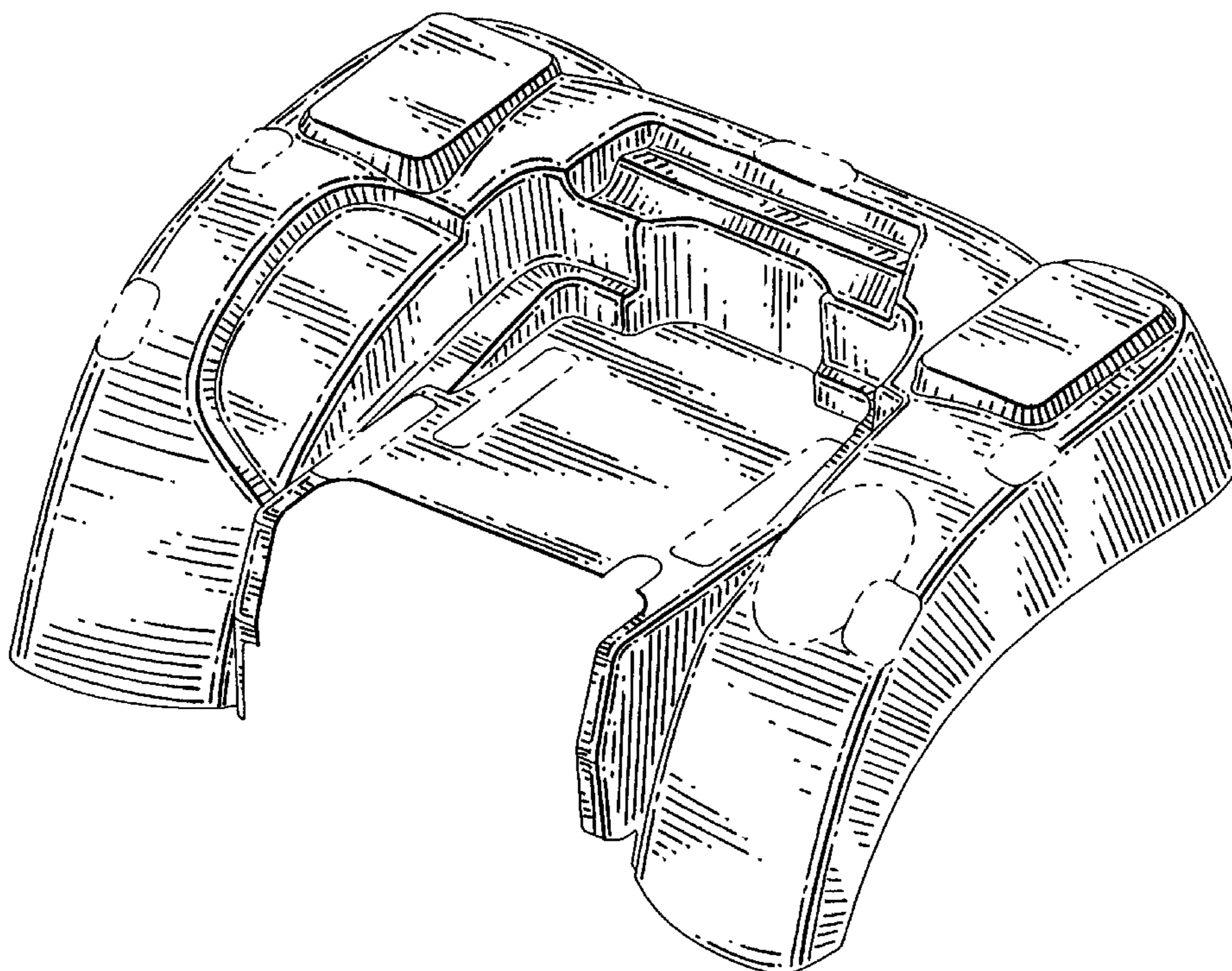
FIG. 10 is a plan view of the fender deck design of FIG. 7.

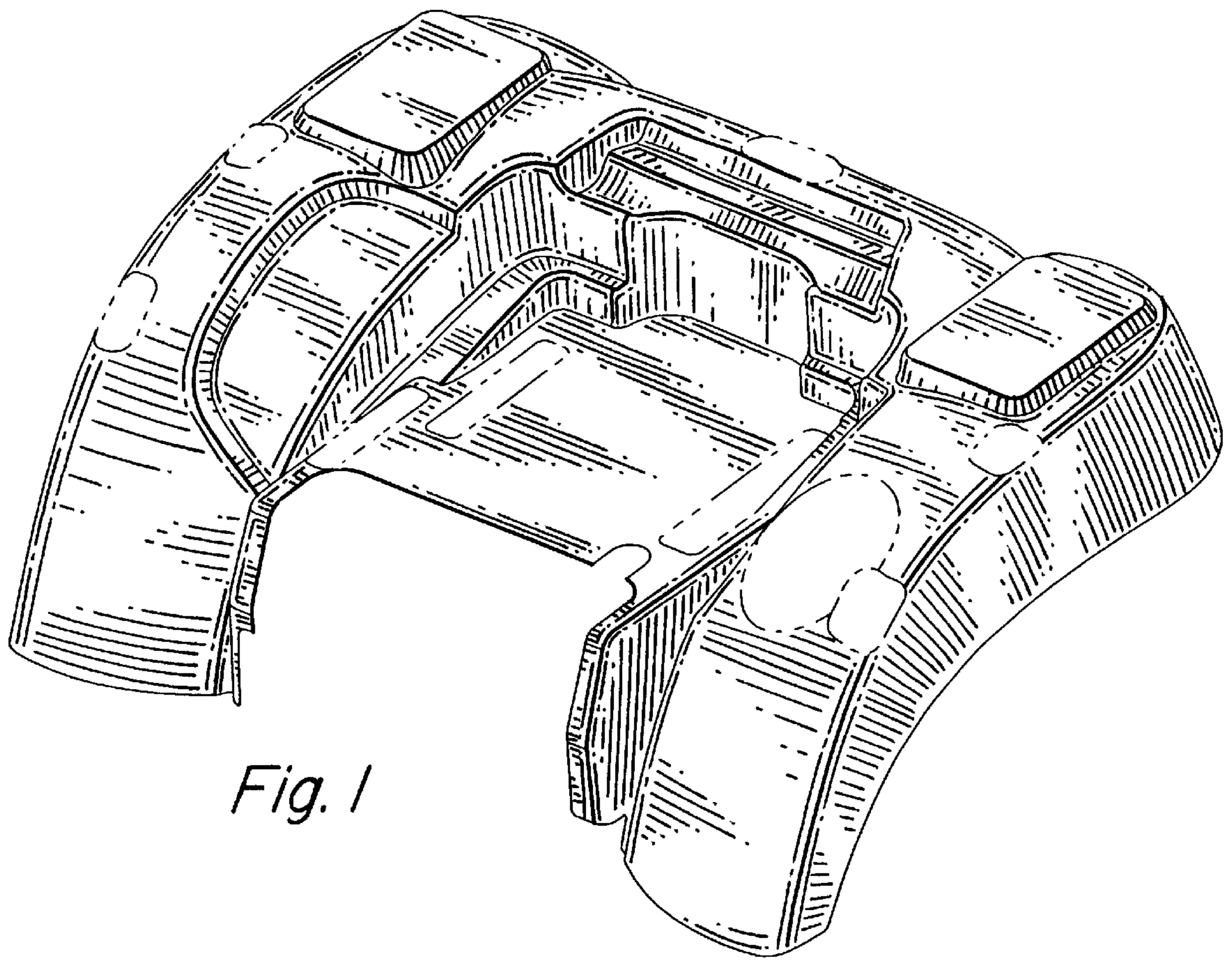
FIG. 11 is a left side view of the fender deck design of FIG. 7; and,

FIG. 12 is a right side view of the fender deck design of FIG. 7.

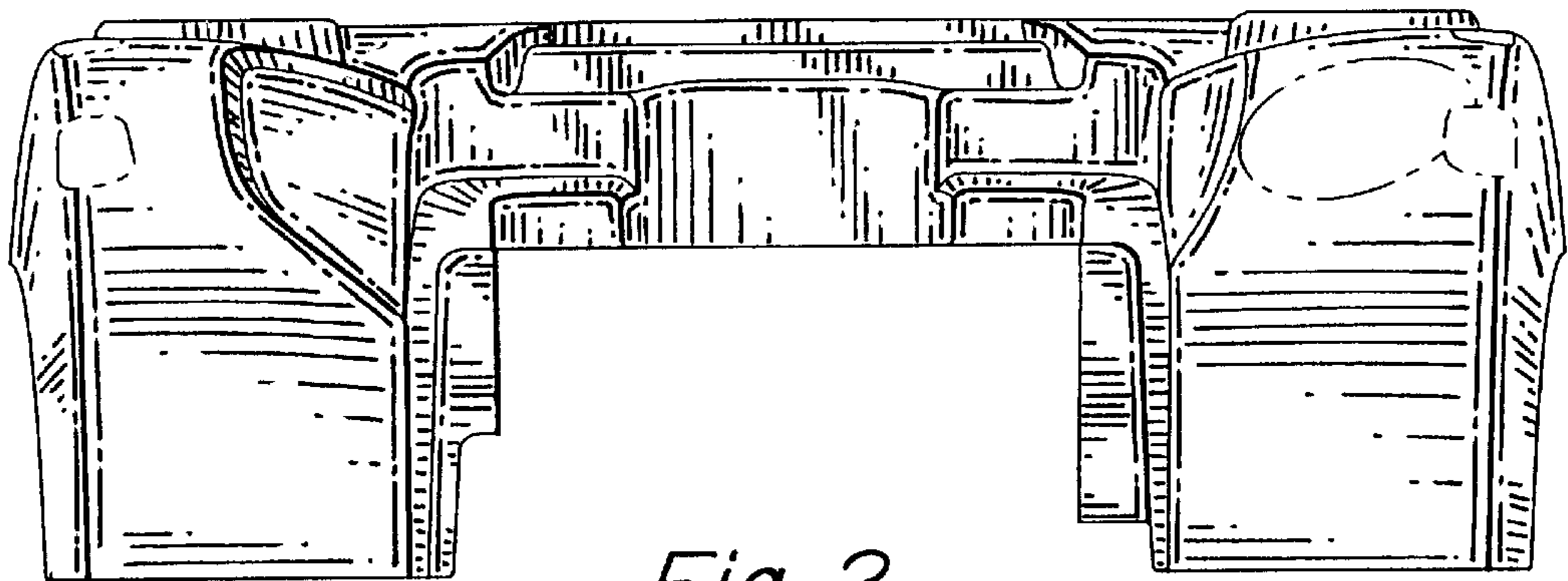
The broken line showing of is for illustrative purposes only and forms no part of the claimed design.

**1 Claim, 4 Drawing Sheets**

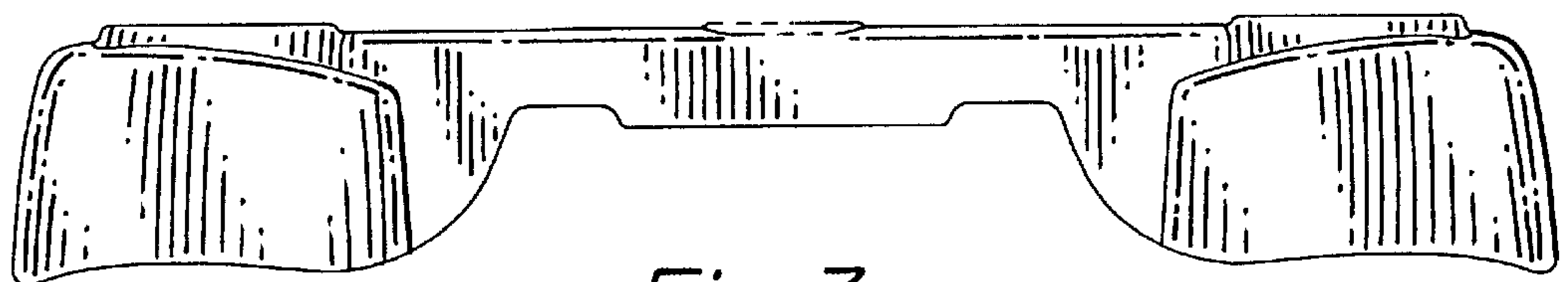




*Fig. 1*

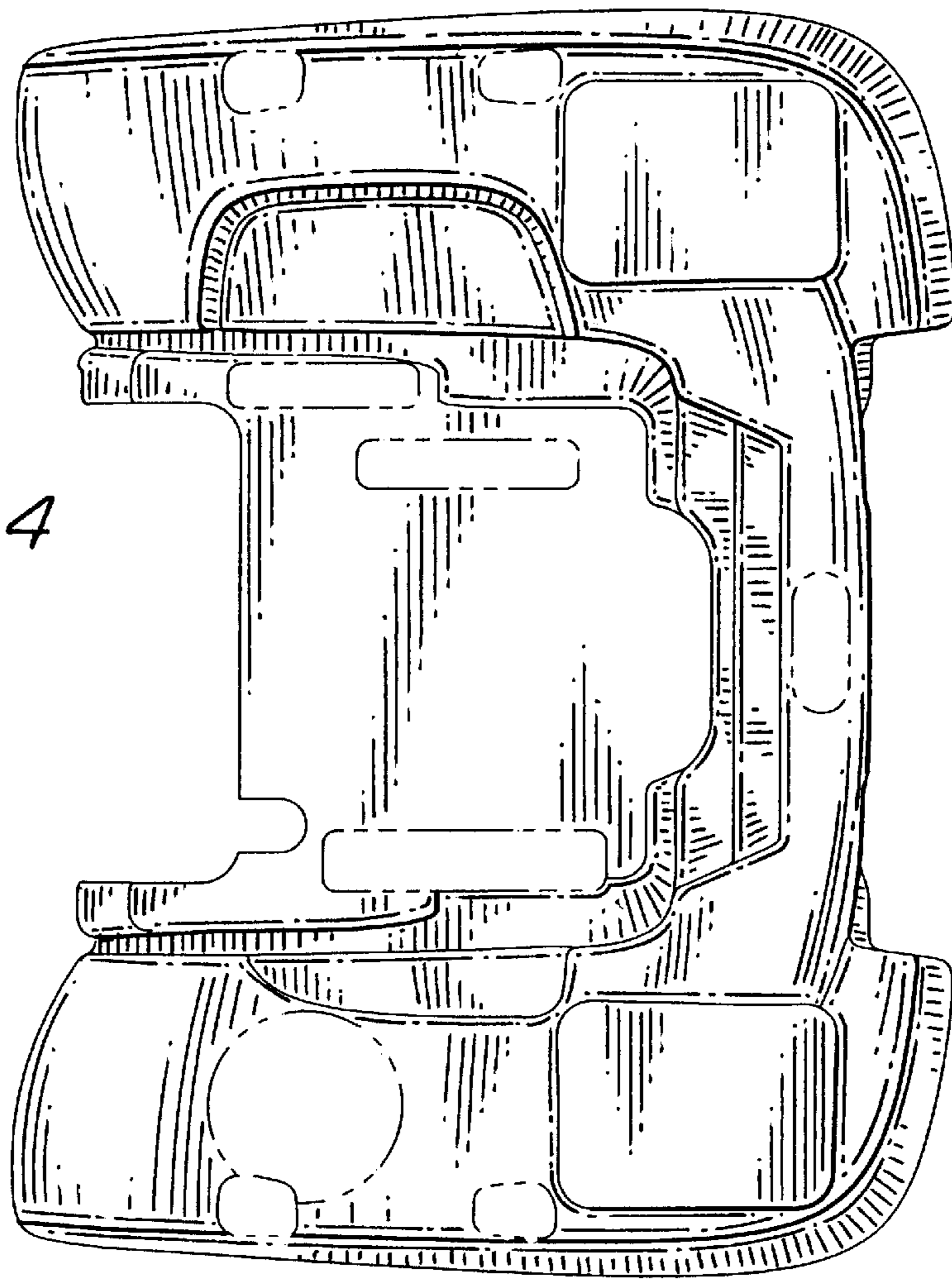


*Fig. 2*

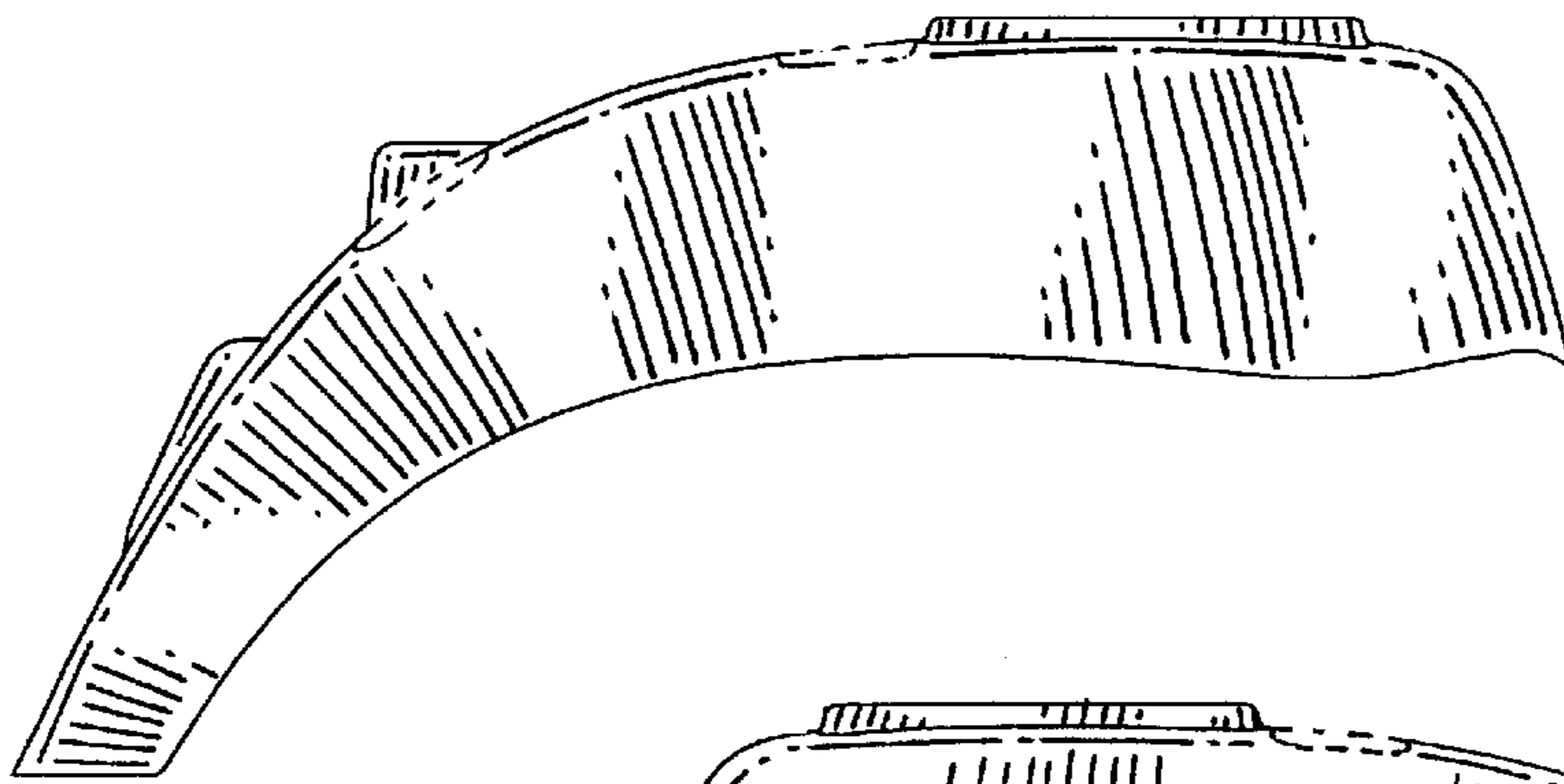


*Fig. 3*

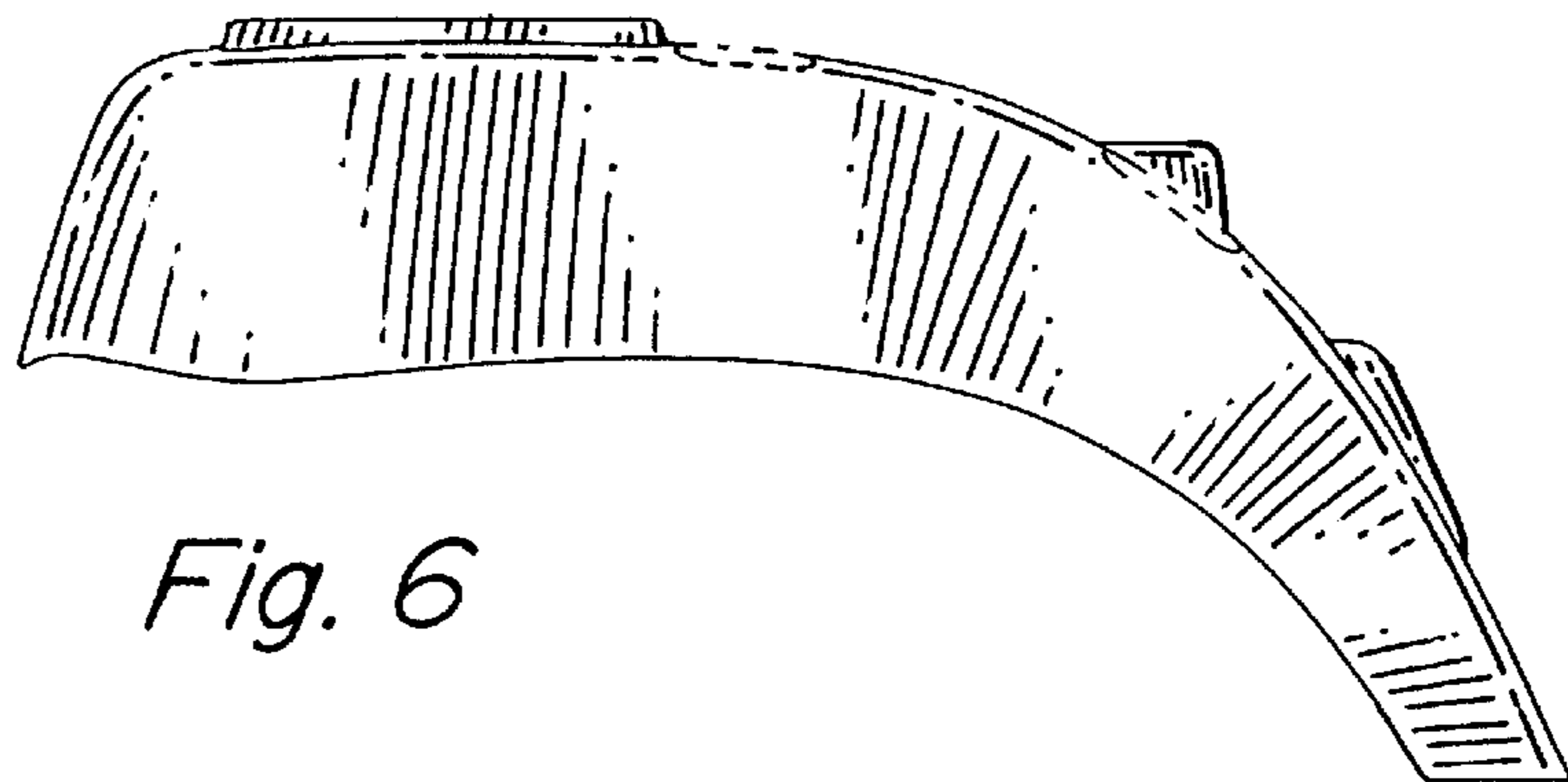
*Fig. 4*

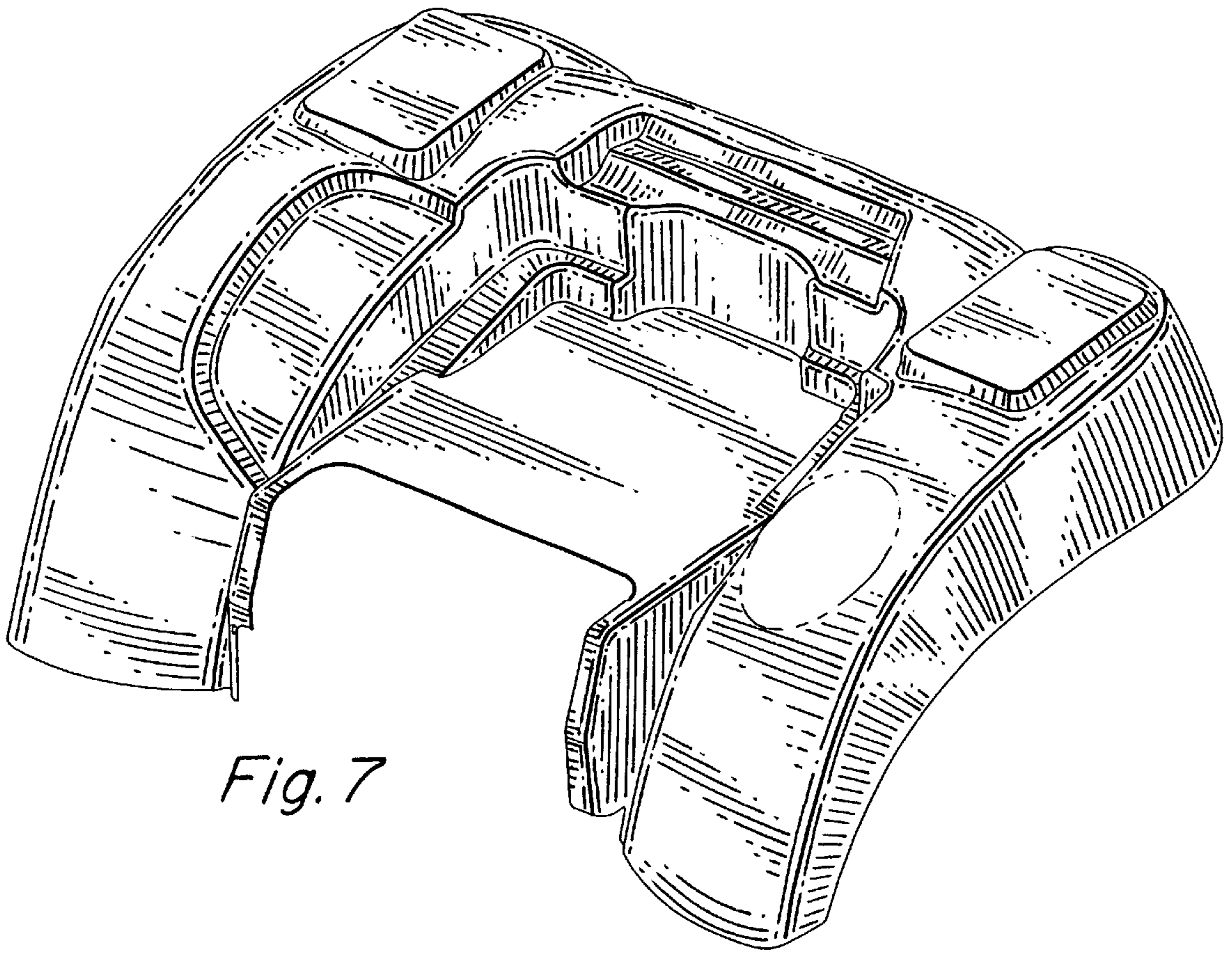


*Fig. 5*

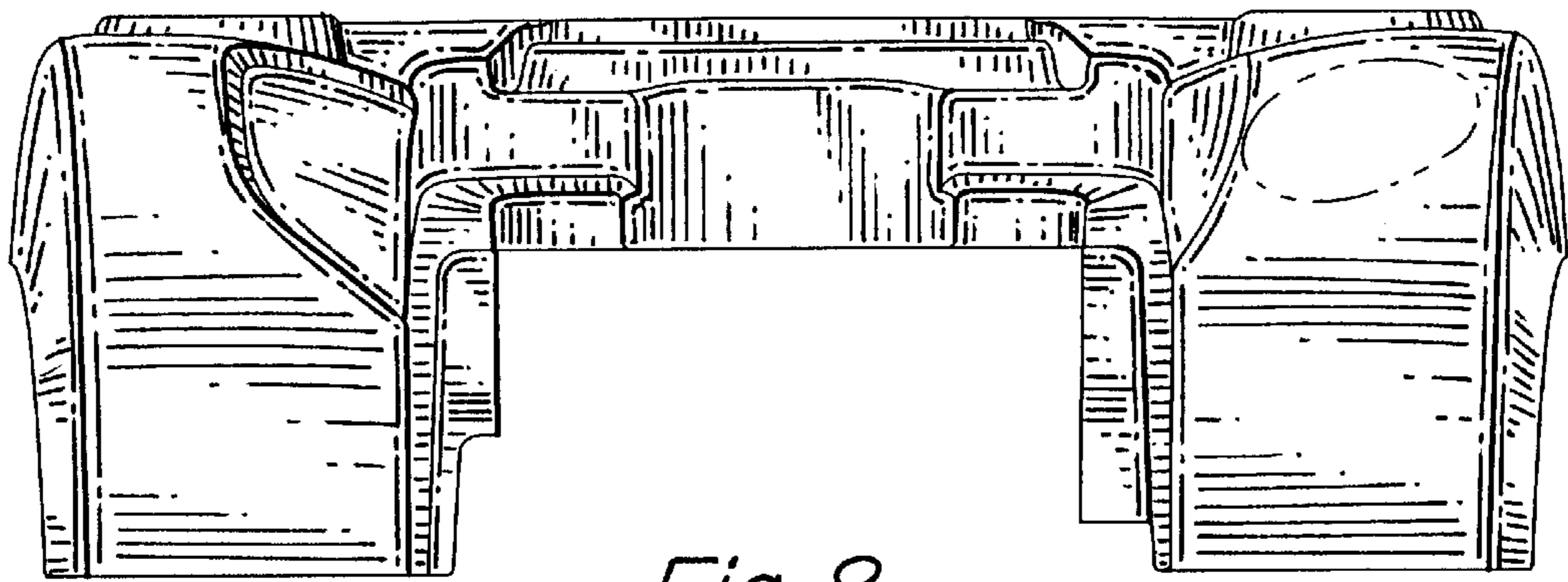


*Fig. 6*

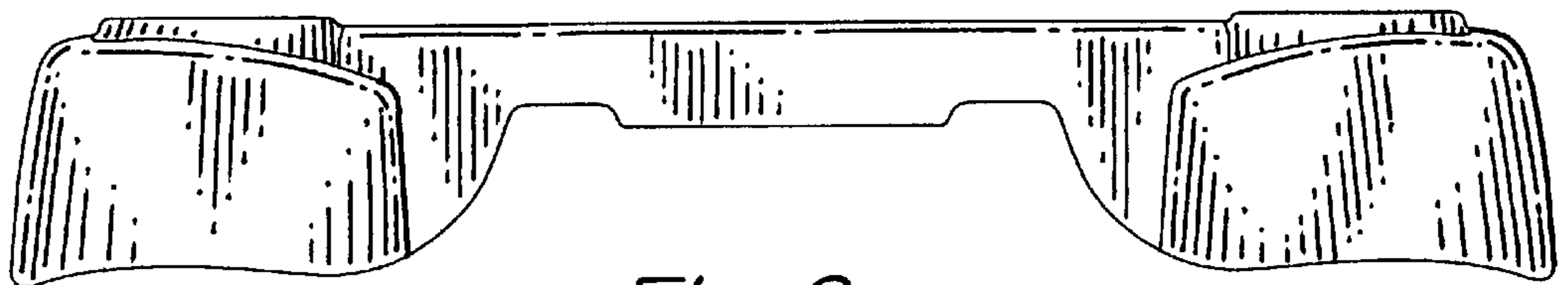




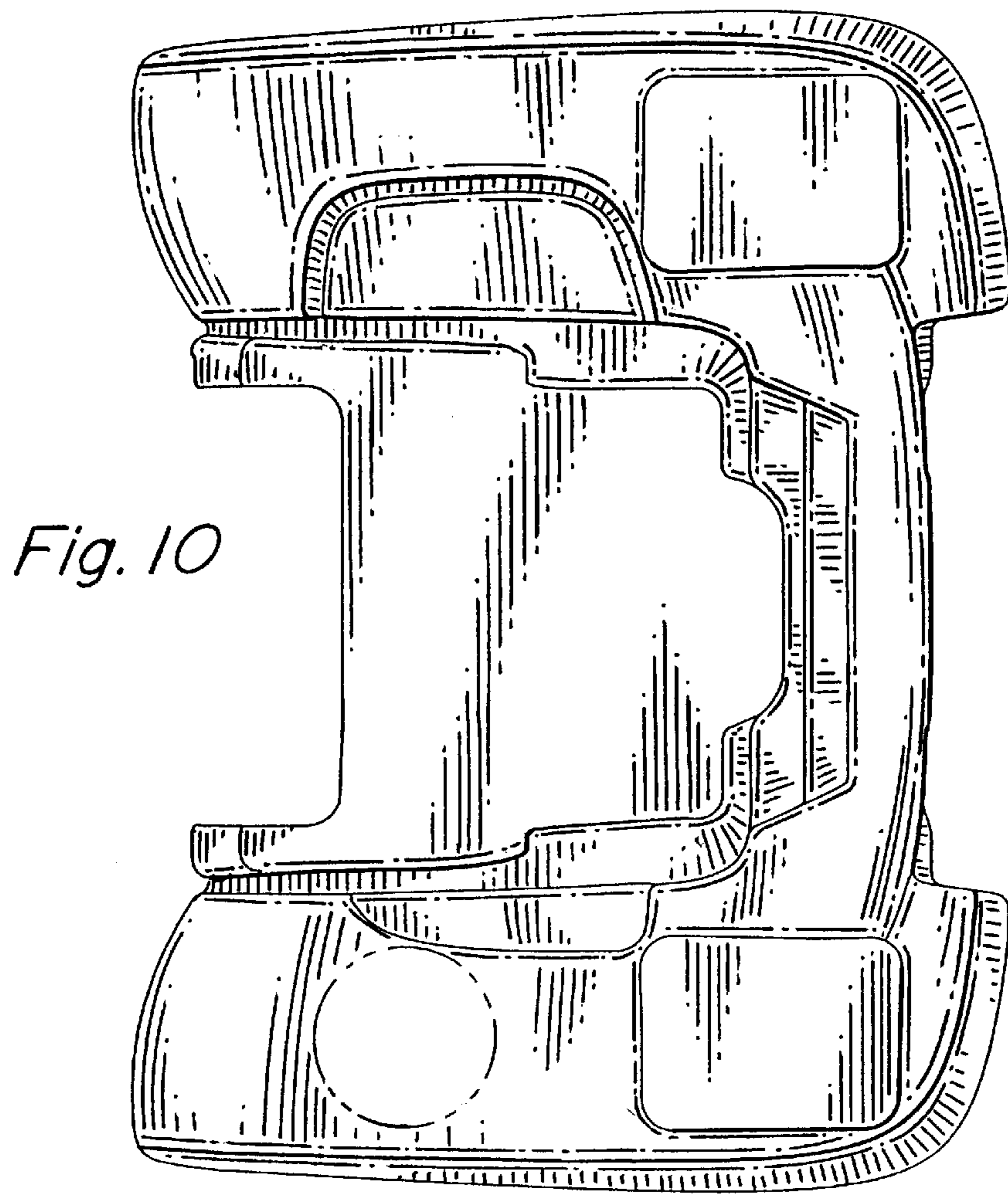
*Fig. 7*



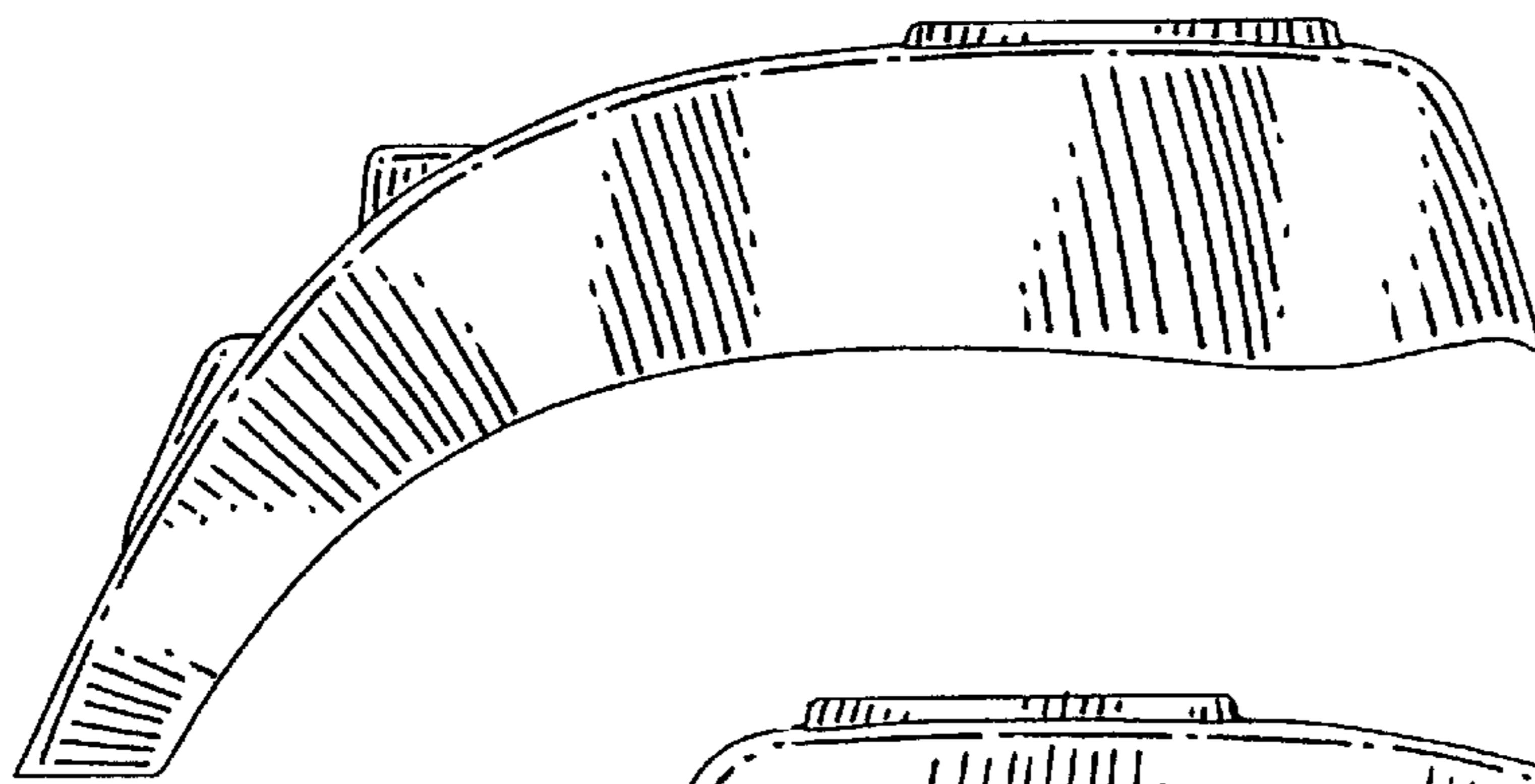
*Fig. 8*



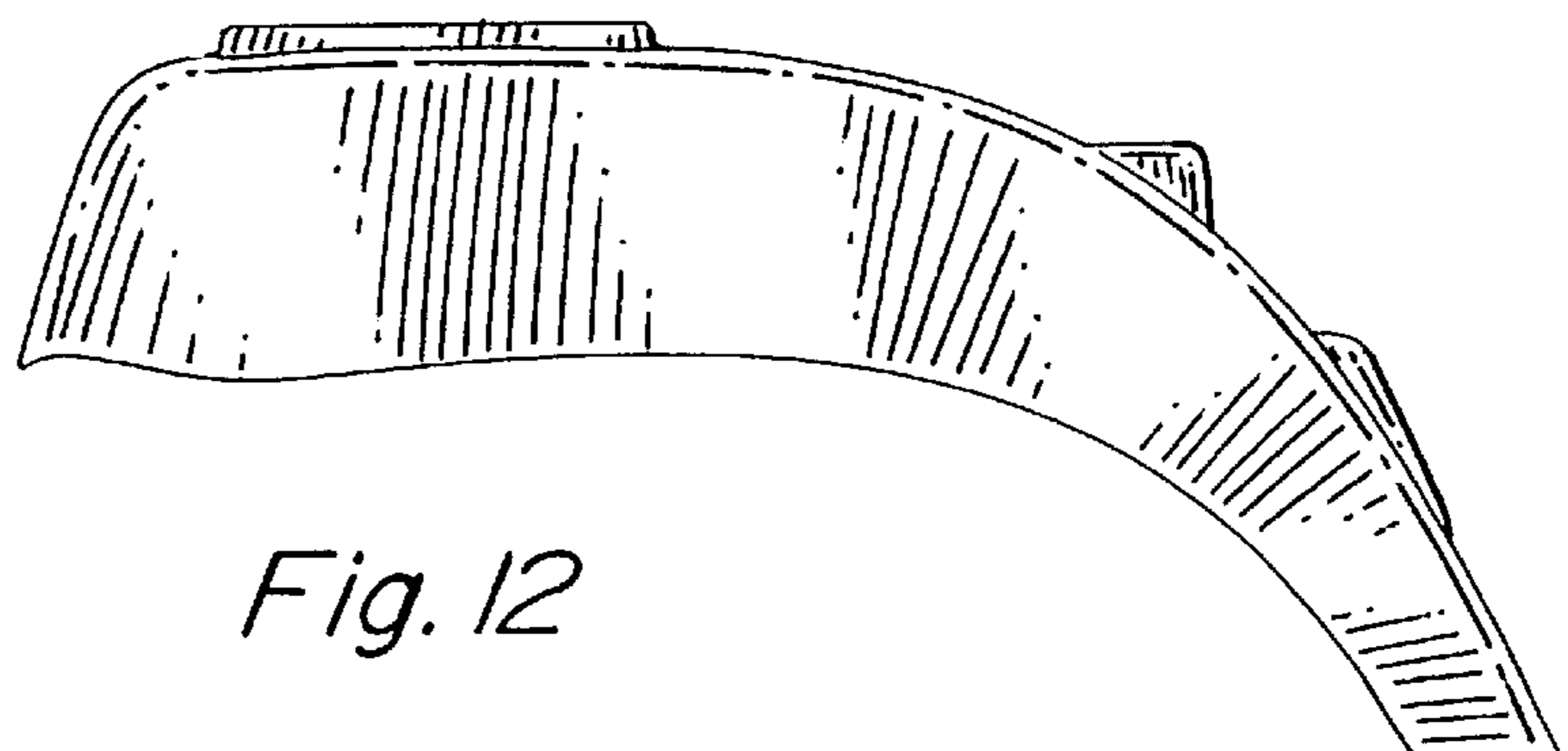
*Fig. 9*



*Fig. 10*



*Fig. 11*



*Fig. 12*