



US00D484891S

(12) **United States Design Patent**
Hsiao

(10) **Patent No.:** **US D484,891 S**

(45) **Date of Patent:** **** Jan. 6, 2004**

(54) **AIR PUMP FOR A COMPRESSOR**

(76) Inventor: **Eming Hsiao**, No. 427, Sec. 2,
Doou-Chung Rd., Tien-Chung,
Chang-Hwa (TW)

(**) Term: **14 Years**

(21) Appl. No.: **29/173,651**

(22) Filed: **Jan. 3, 2003**

(51) **LOC (7) Cl.** **15-02**

(52) **U.S. Cl.** **D15/9**

(58) **Field of Search** D15/7-9.2; 417/231,
417/233, 234, 269, 481; 248/646; D22/259,
260; 123/18 R

(56) **References Cited**

U.S. PATENT DOCUMENTS

D419,162 S * 1/2000 Wise et al. D15/9
D435,050 S * 12/2000 Wise et al. D15/9

* cited by examiner

Primary Examiner—Ralf Seifert

(74) *Attorney, Agent, or Firm*—Alan D. Kamrath; Rider
Bennett, LLP

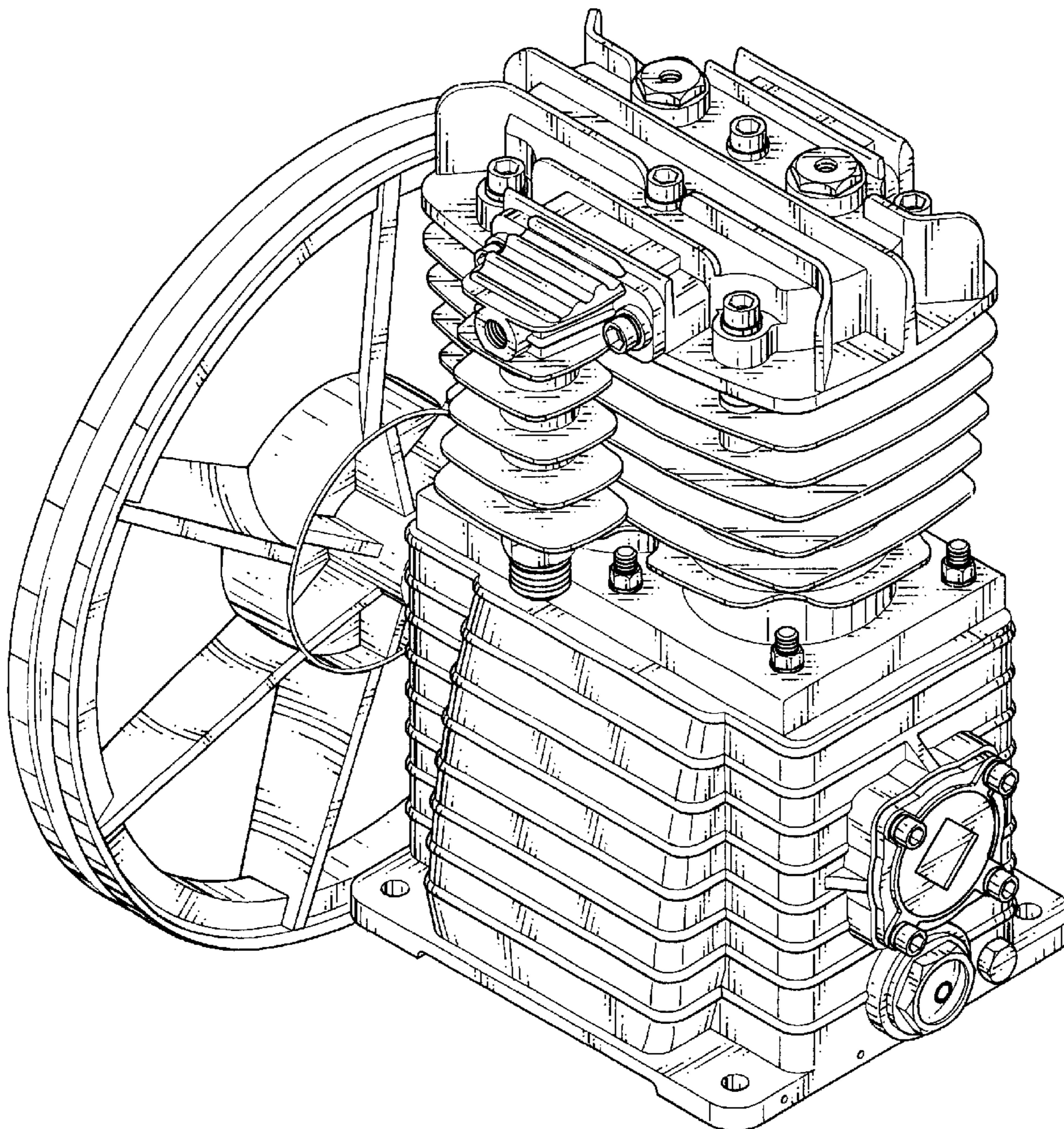
(57) **CLAIM**

The ornamental design for an air pump for a compressor, as
shown and described.

DESCRIPTION

FIG. 1 is a perspective view of an air pump for a compressor,
showing my new design;
FIG. 2 is a front elevational view thereof;
FIG. 3 is a rear elevational view thereof;
FIG. 4 is a left side elevational view thereof;
FIG. 5 is a right side elevational view thereof;
FIG. 6 is a top plan view thereof; and
FIG. 7 is a bottom plan view thereof; and,
FIG. 8 is a side view showing an embodiment of the claimed
design, wherein the broken lines are shown for illustrative
purposes only and form no part of the claimed design.

1 Claim, 8 Drawing Sheets



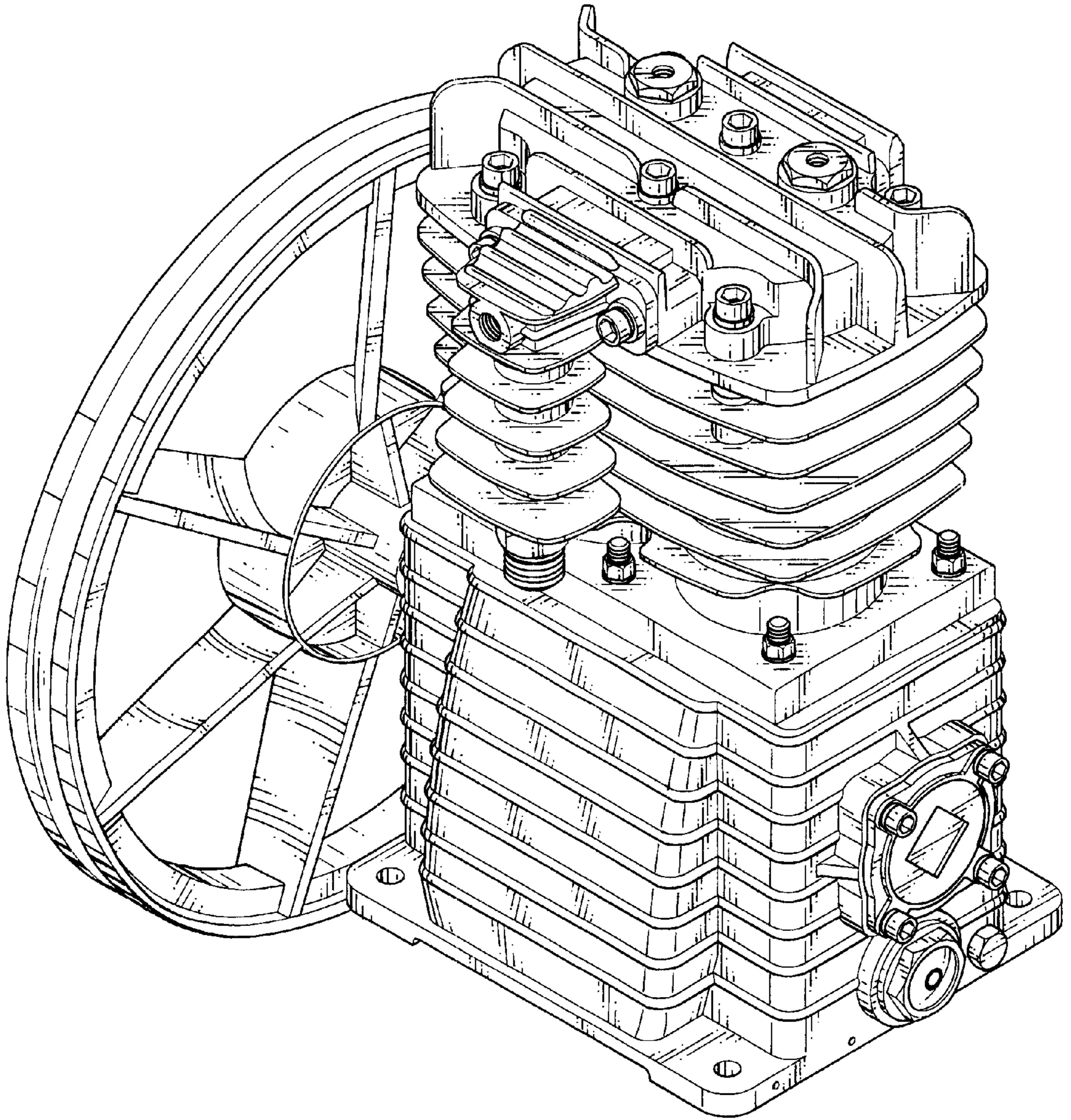


FIG. 1

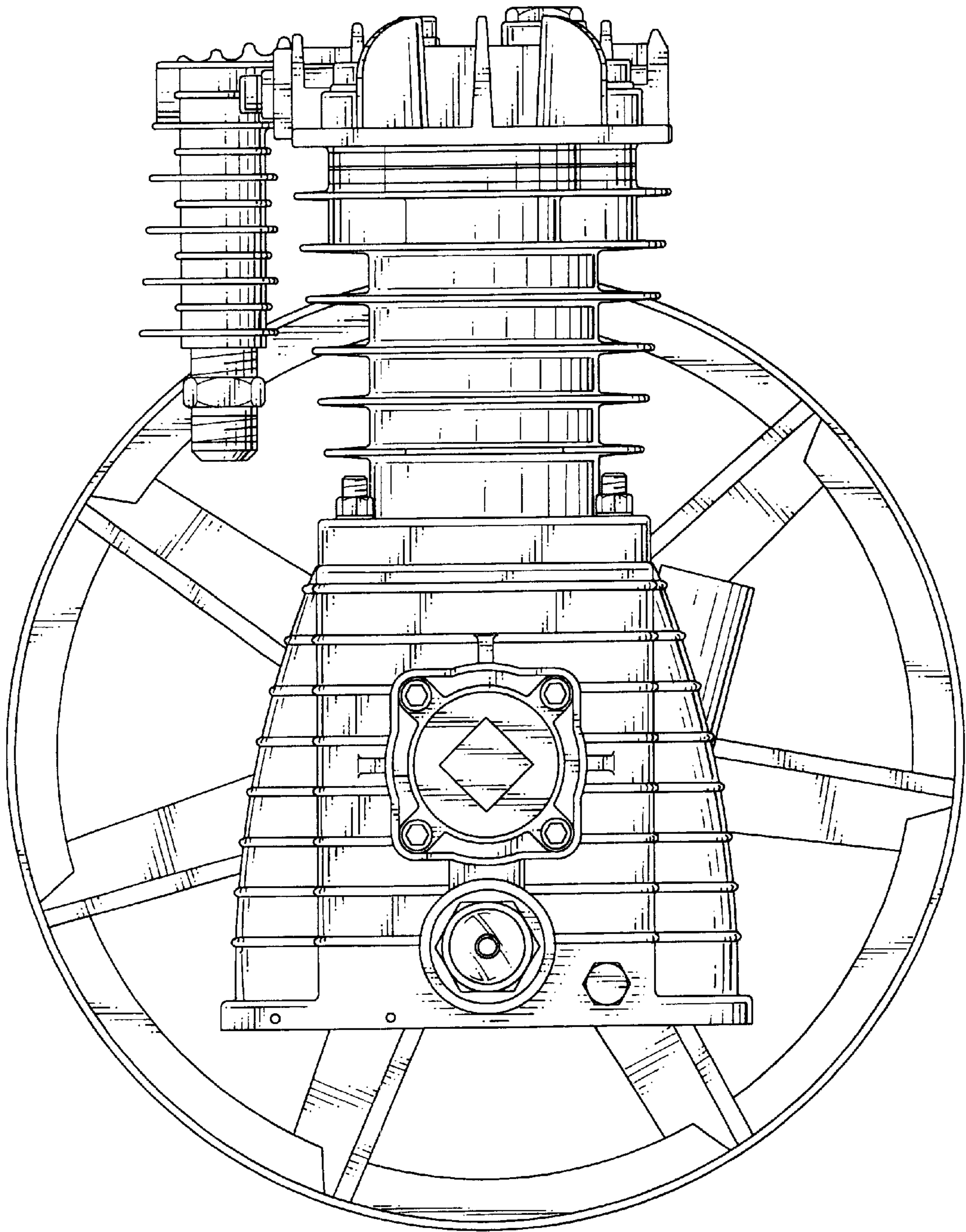


FIG. 2

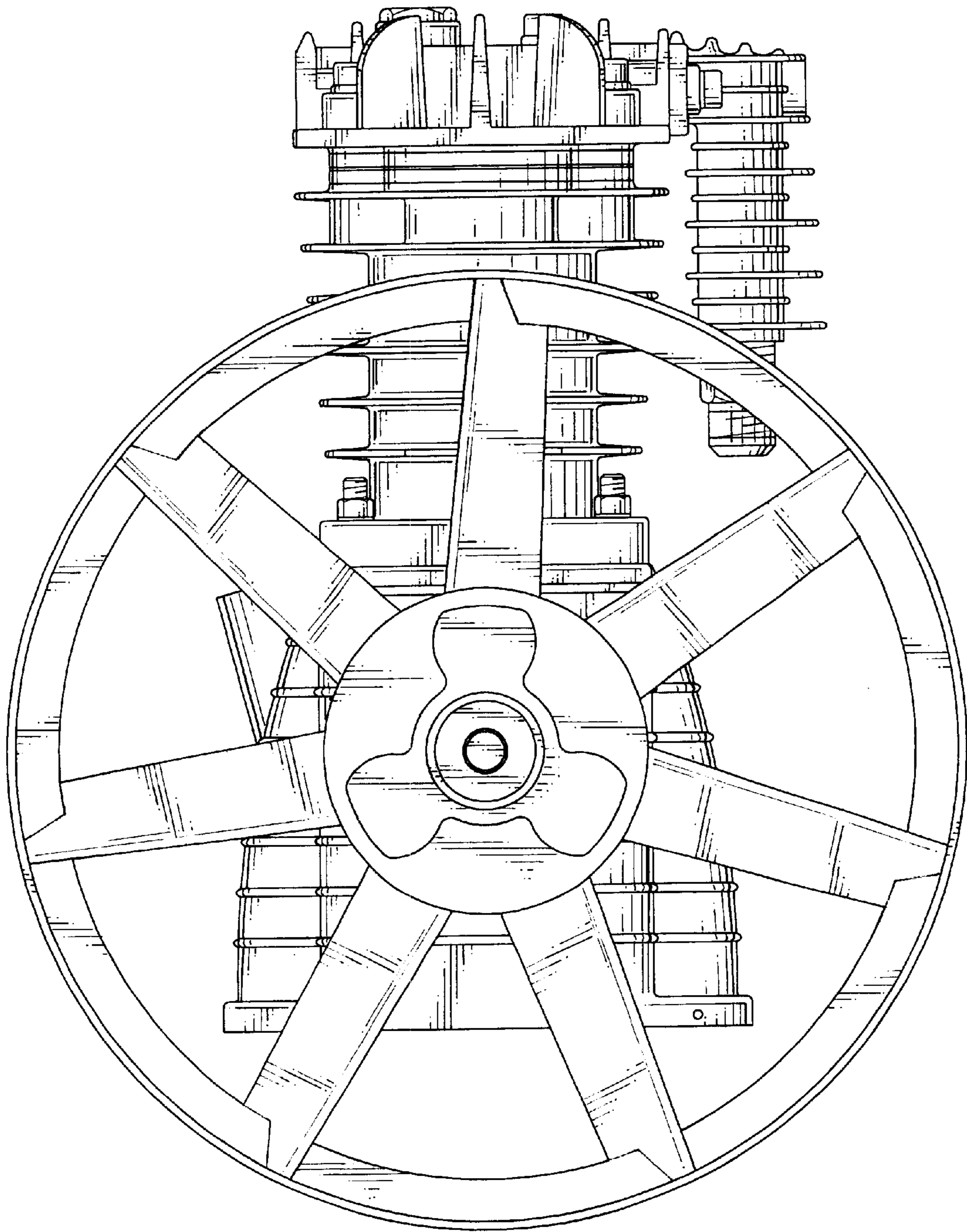


FIG. 3

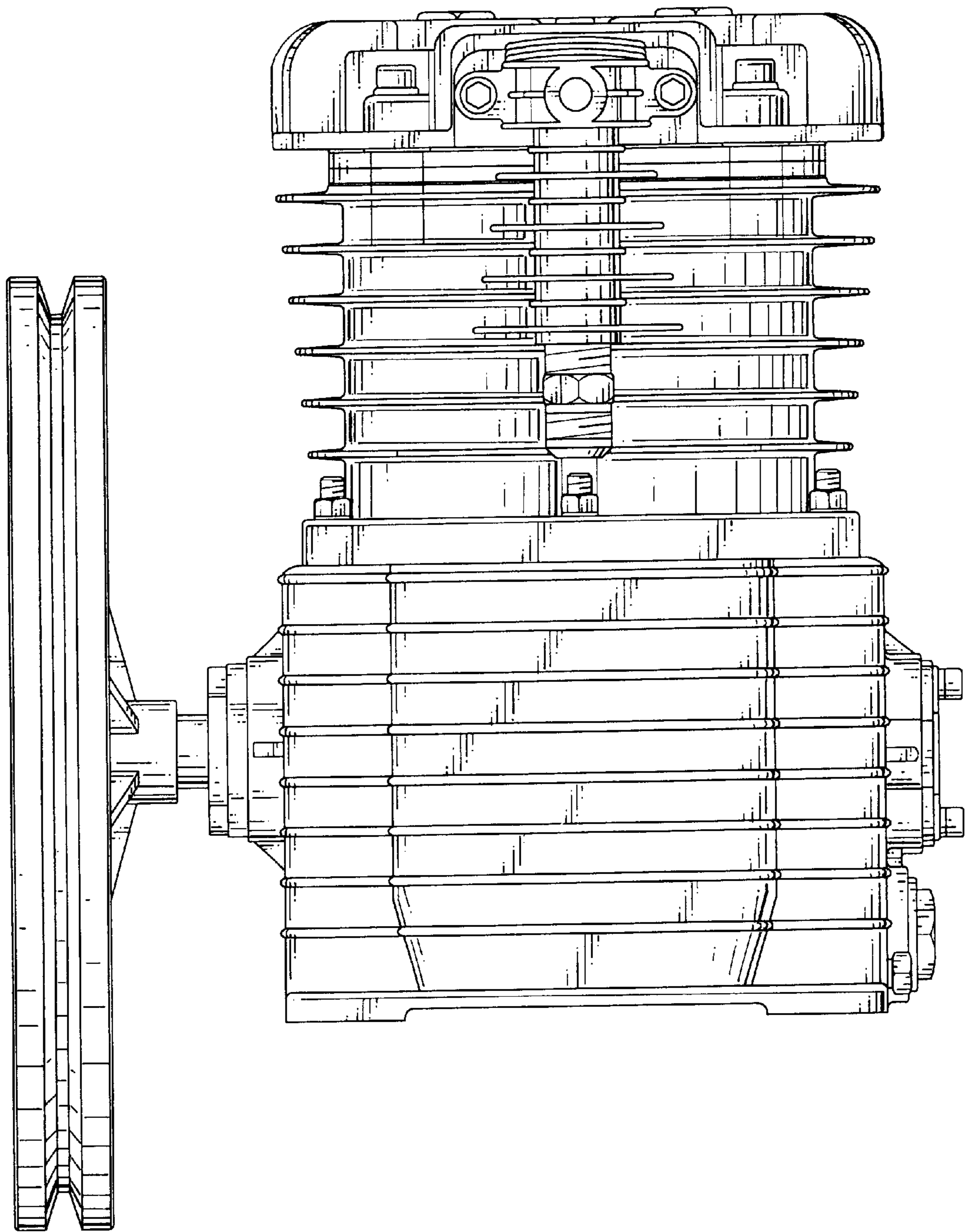


FIG. 4

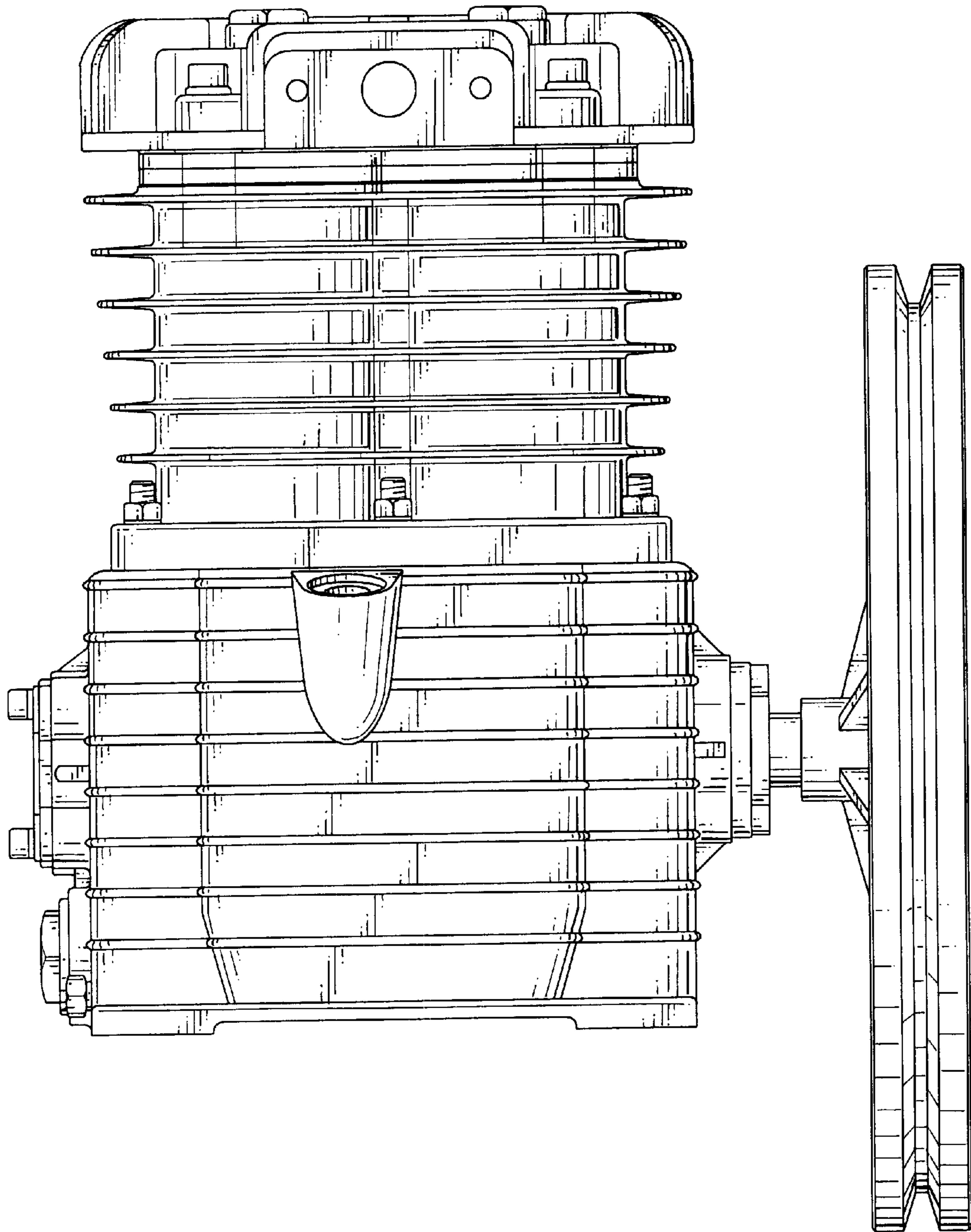


FIG. 5

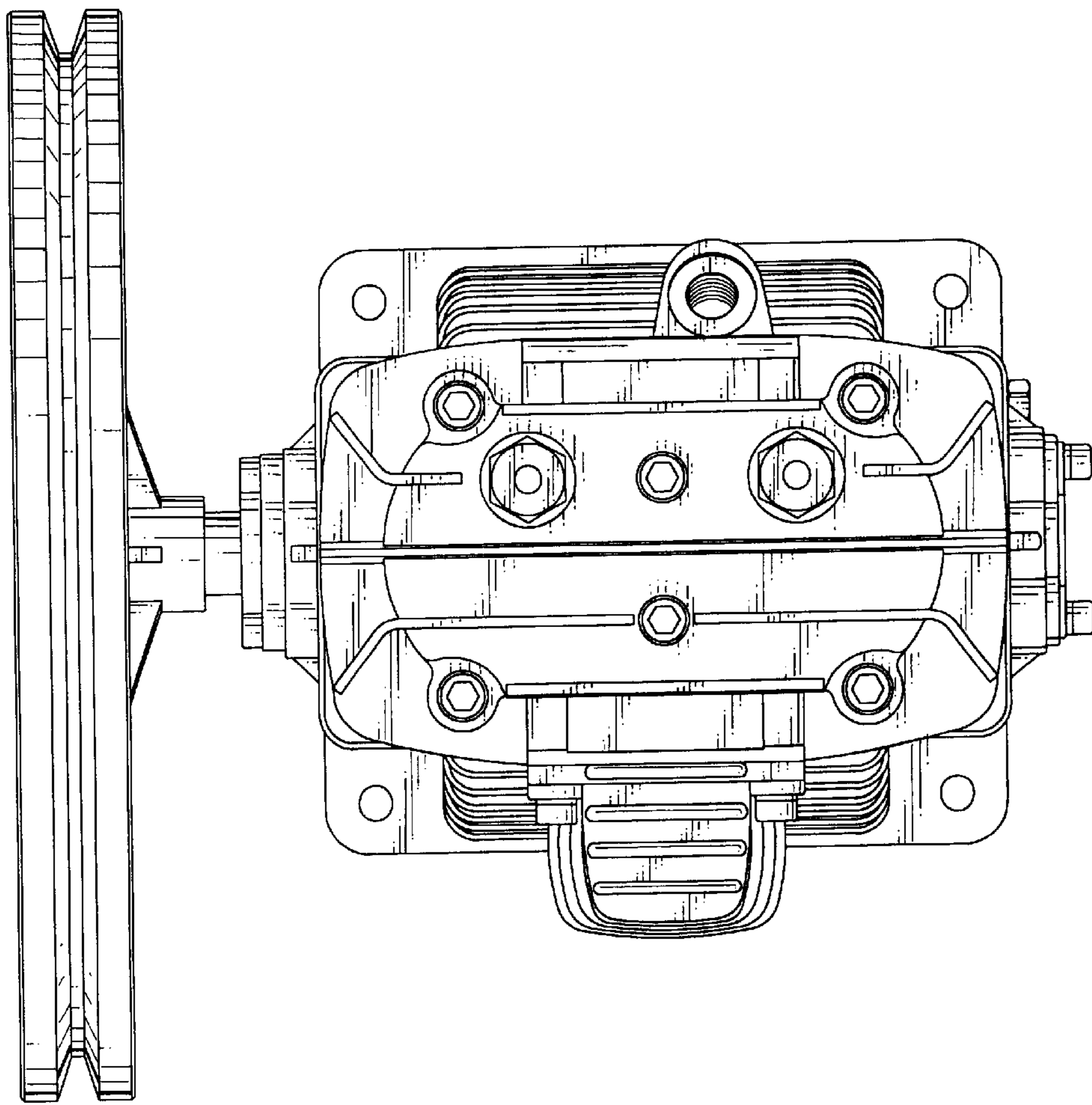


FIG. 6

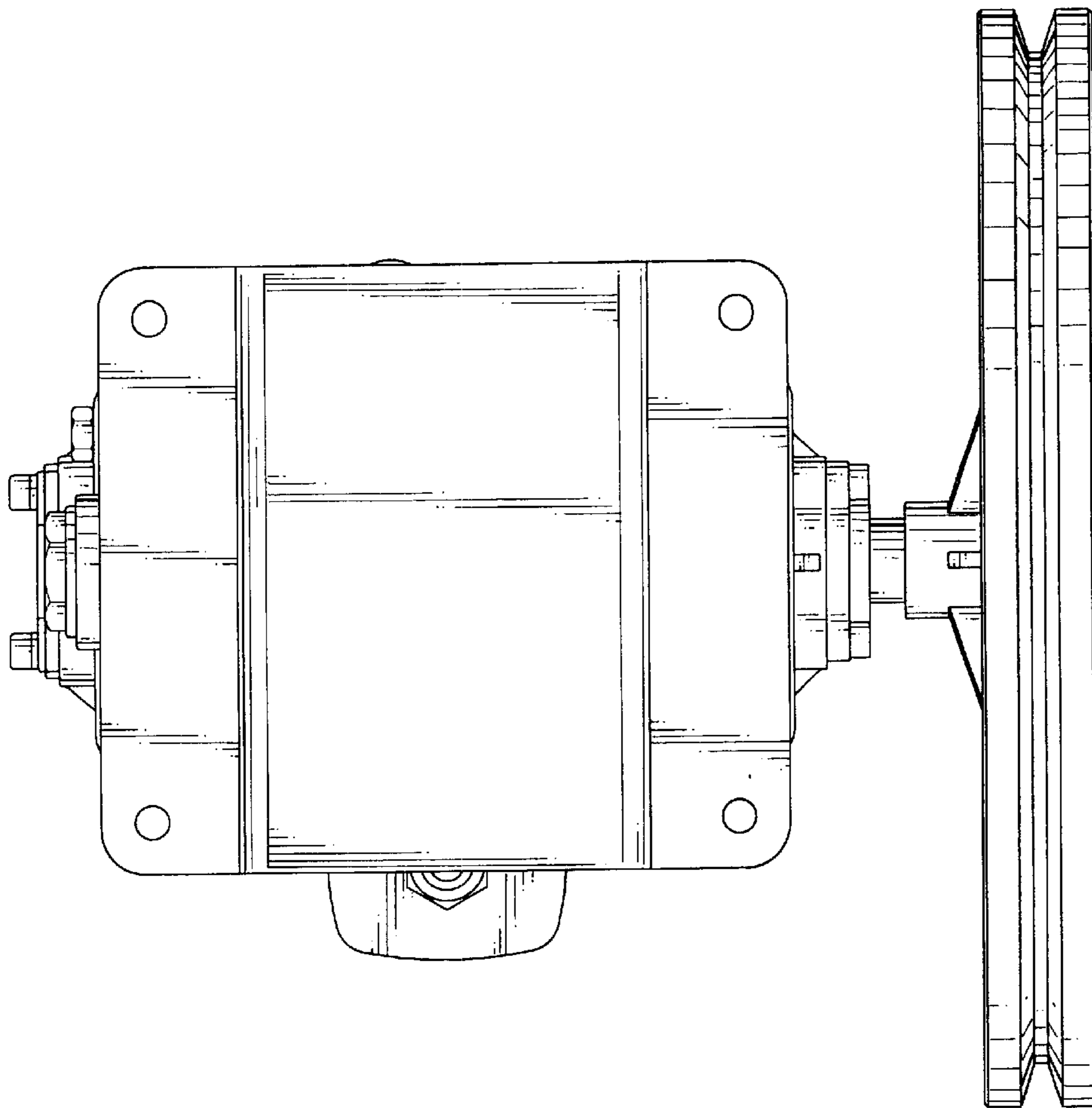


FIG. 7

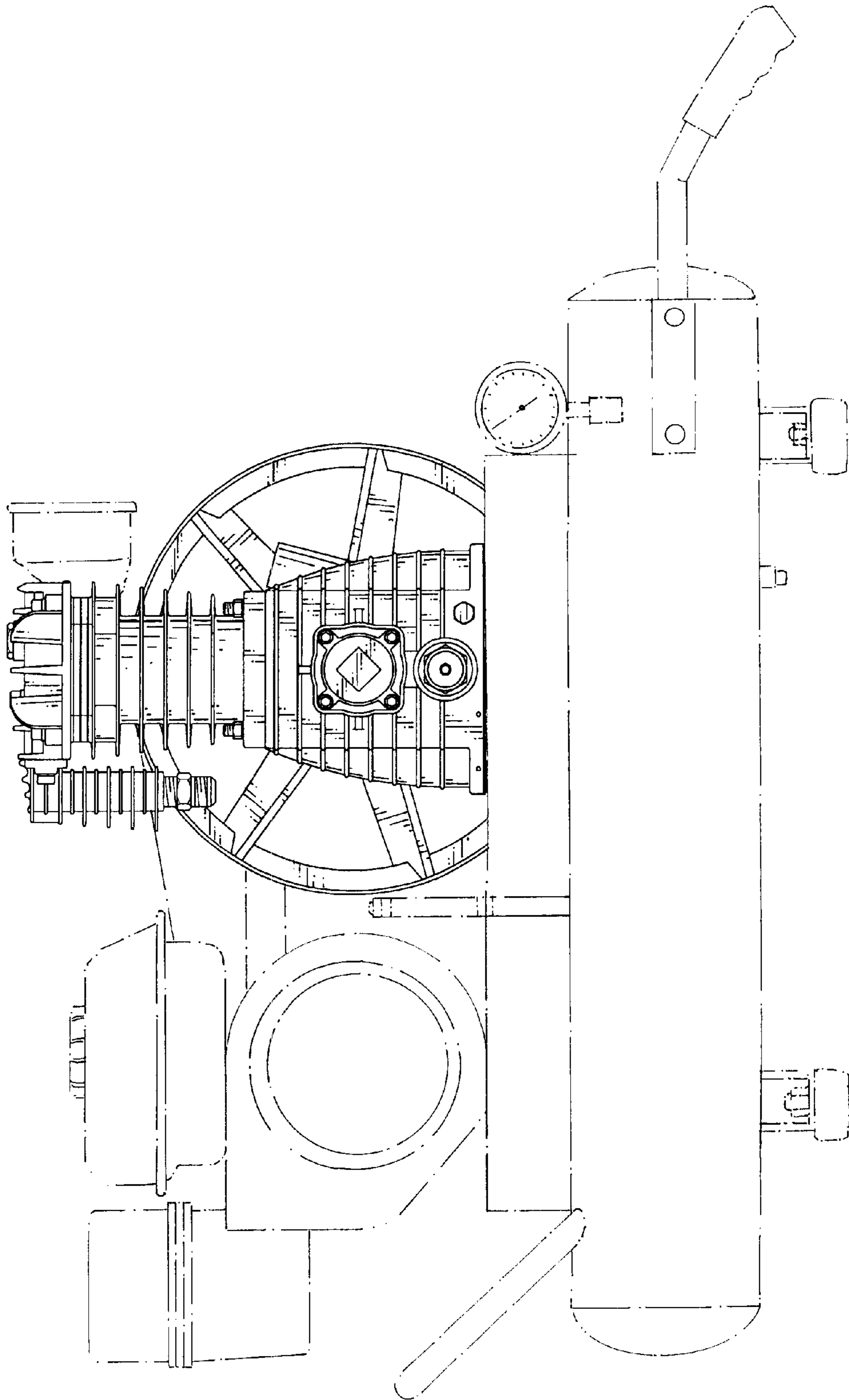


FIG. 8