



US00D484890S

(12) **United States Design Patent**
Hsiao

(10) **Patent No.:** **US D484,890 S**

(45) **Date of Patent:** **** Jan. 6, 2004**

(54) **AIR COMPRESSOR**

(76) Inventor: **Eming Hsiao**, No. 427, Sec. 2,
Doou-Chung Rd., Tien-Chung,
Chang-Hwa (TW)

(**) Term: **14 Years**

(21) Appl. No.: **29/173,472**

(22) Filed: **Dec. 31, 2002**

(51) **LOC (7) Cl.** **15-02**

(52) **U.S. Cl.** **D15/9**

(58) **Field of Search** D15/7-9; 417/231,
417/233, 234; 248/646

(56) **References Cited**

U.S. PATENT DOCUMENTS

D293,585 S	*	1/1988	Morgan	D15/9
D352,293 S	*	11/1994	Morgan	D15/9
D352,294 S	*	11/1994	Morgan	D15/9
D455,761 S	*	4/2002	Graber et al.	D15/9

* cited by examiner

Primary Examiner—Ralf Seifert

(74) *Attorney, Agent, or Firm*—Bacon & Thomas, PLLC

(57) **CLAIM**

The ornamental design for an air compressor, as shown and described.

DESCRIPTION

FIG. 1 is a perspective view of an air compressor, showing my new design;

FIG. 2 is a front elevational view thereof;

FIG. 3 is a rear elevational view thereof;

FIG. 4 is a left side elevational view thereof;

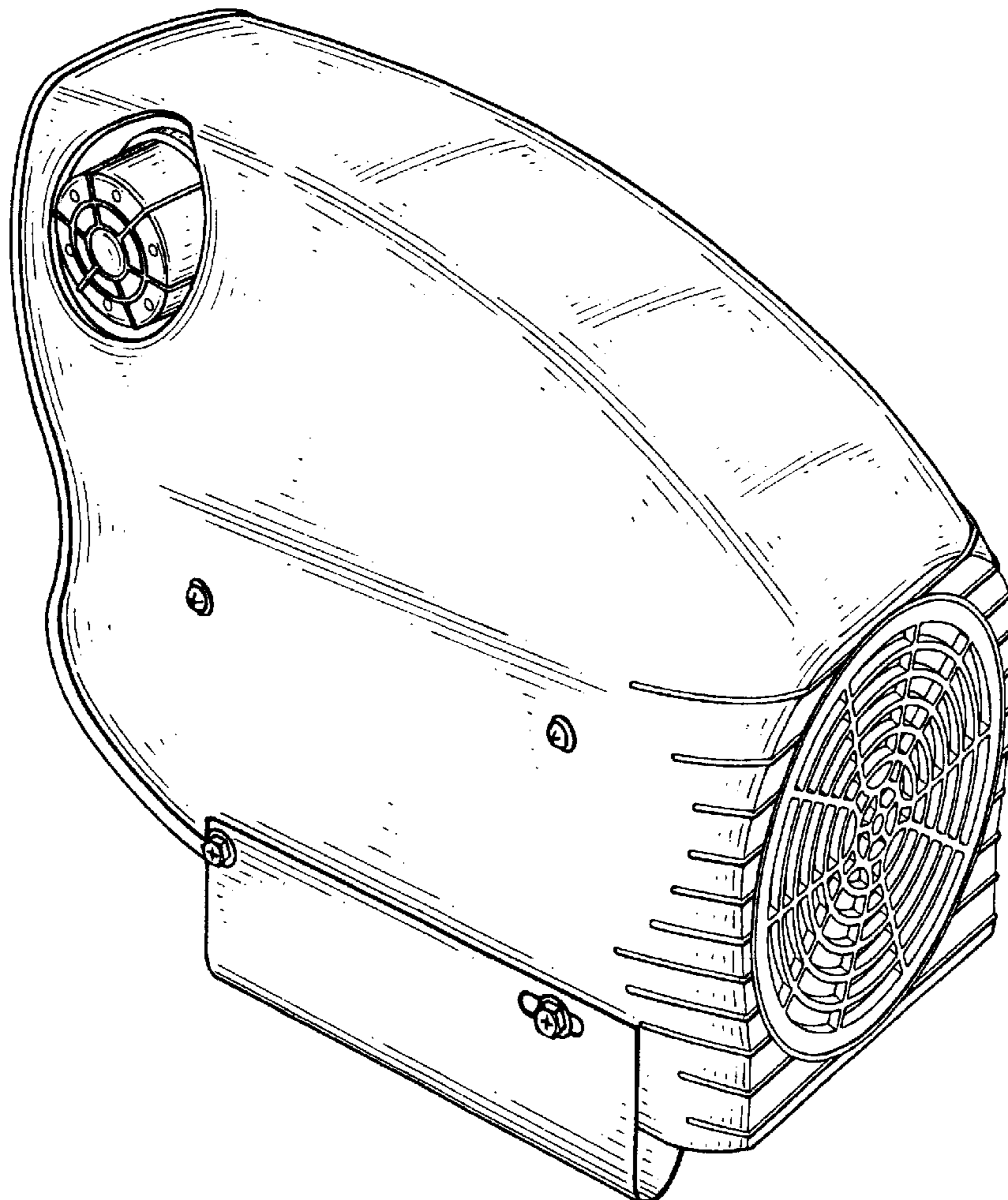
FIG. 5 is a right side elevational view thereof;

FIG. 6 is a top plan view thereof;

FIG. 7 is a bottom plan view thereof; and

FIG. 8 is an operational plan view thereof for reference showing the air compressor is attached to an air tank, wherein the broken lines are shown for illustrative purposes only and form no part of the claimed design.

1 Claim, 7 Drawing Sheets



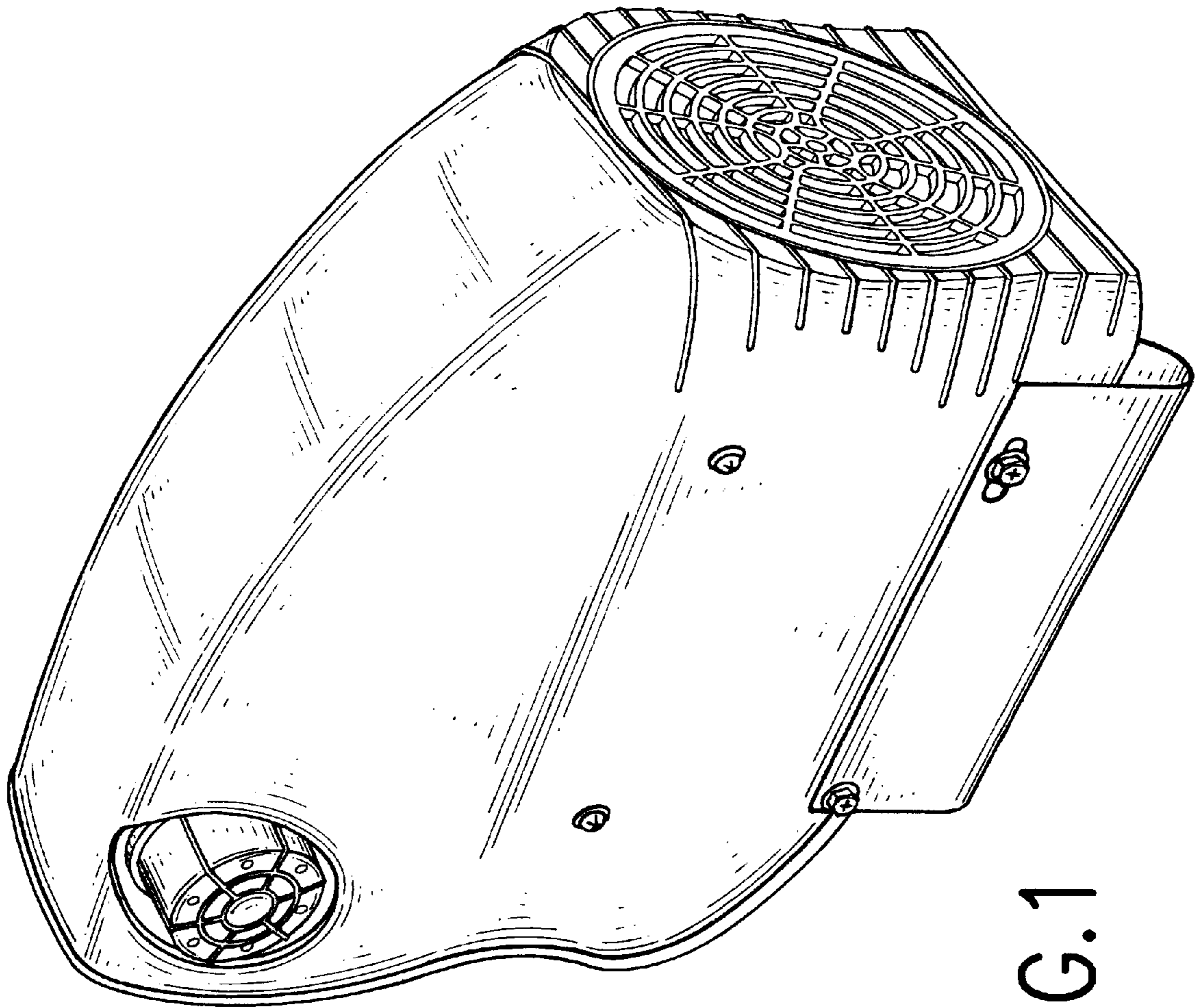


FIG. 1

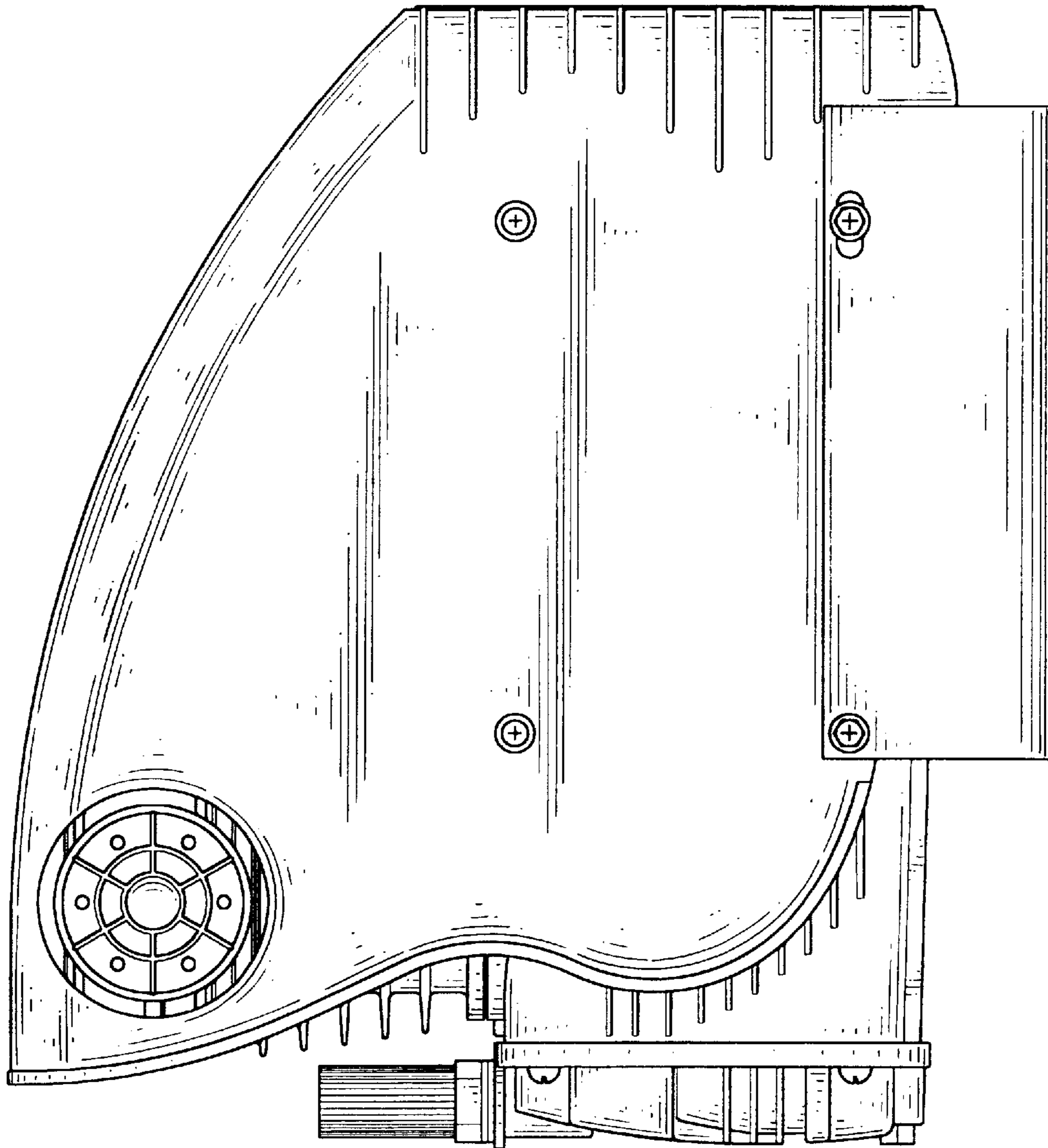


FIG.2

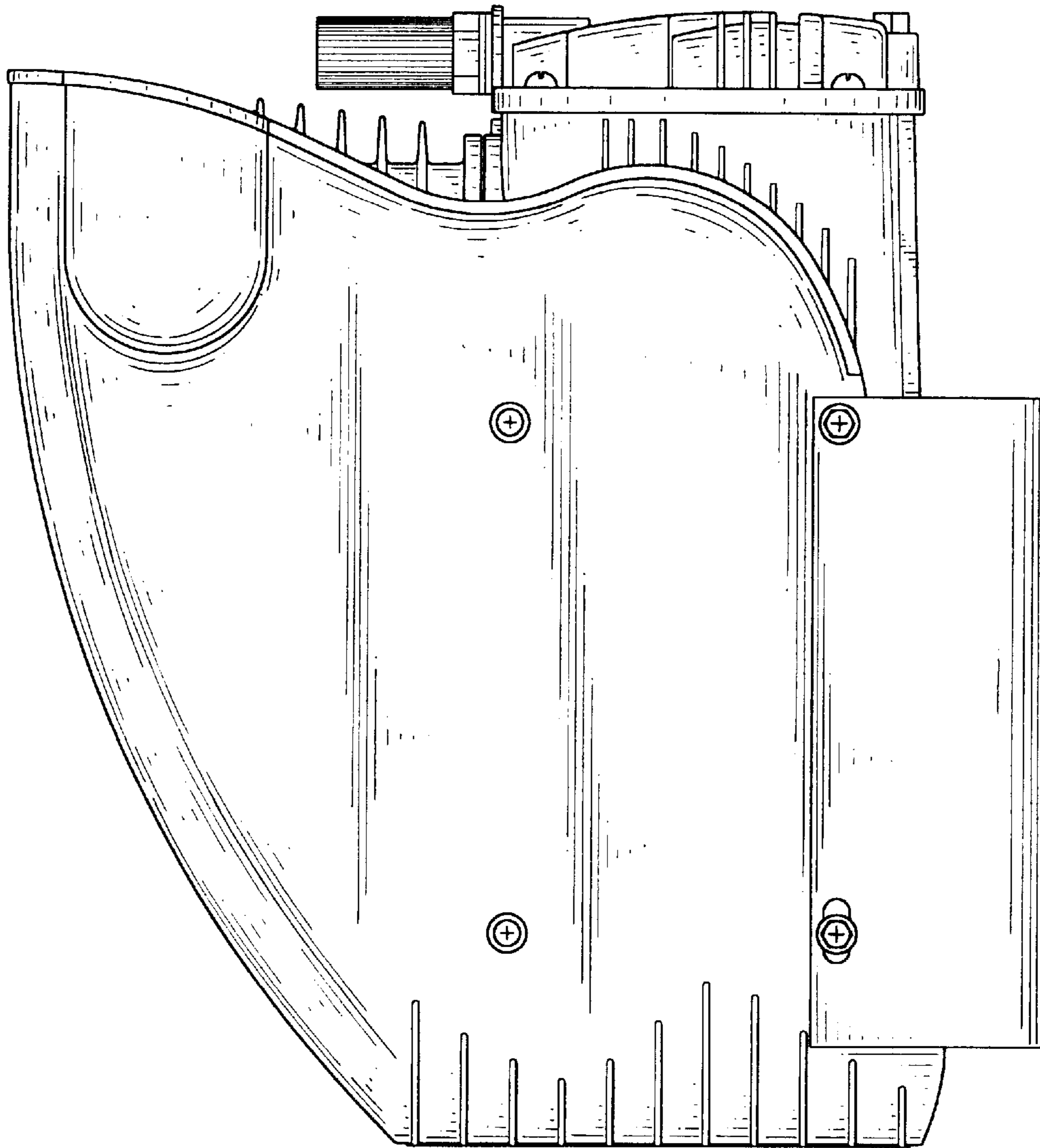


FIG. 3

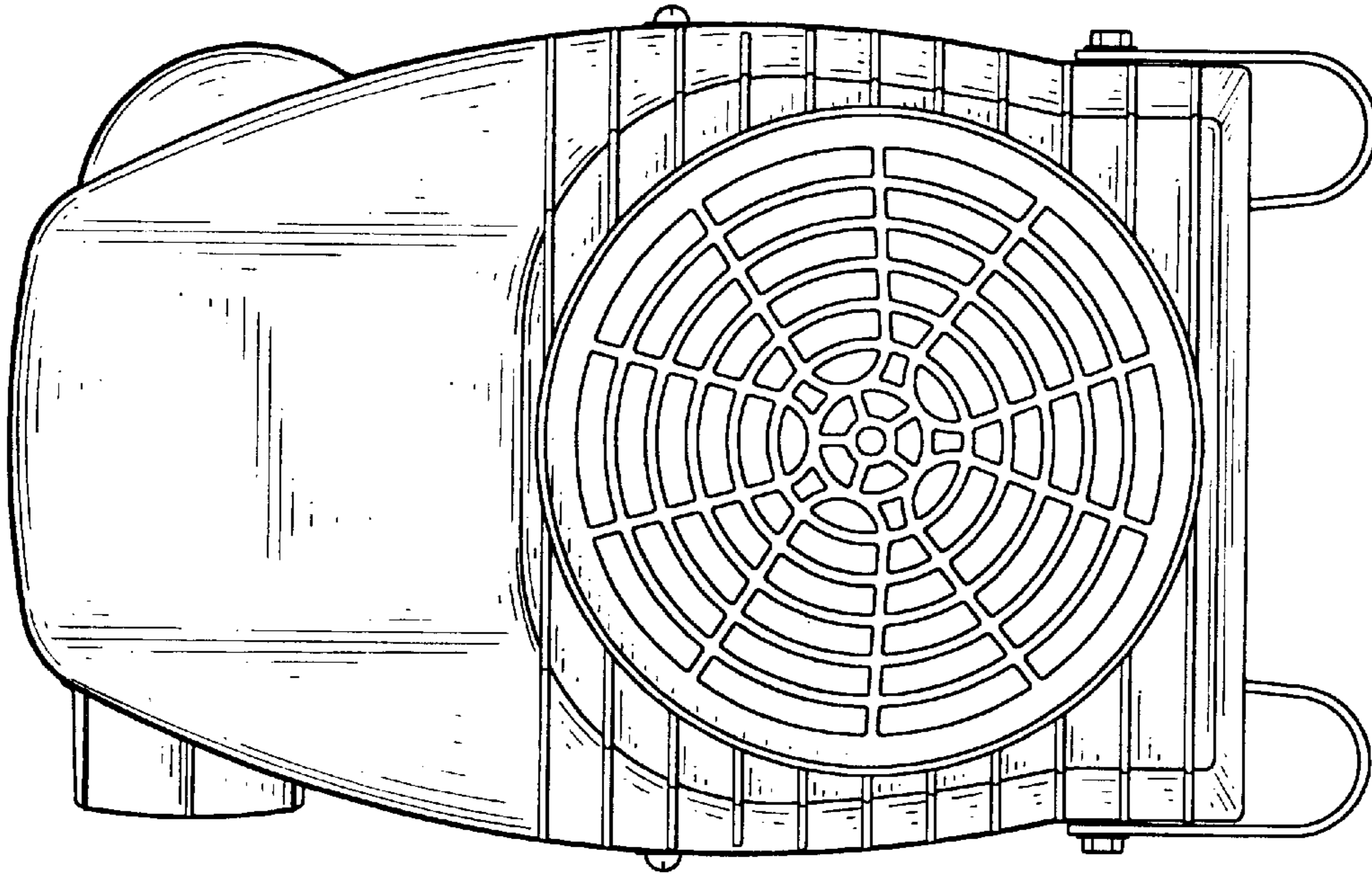


FIG. 5

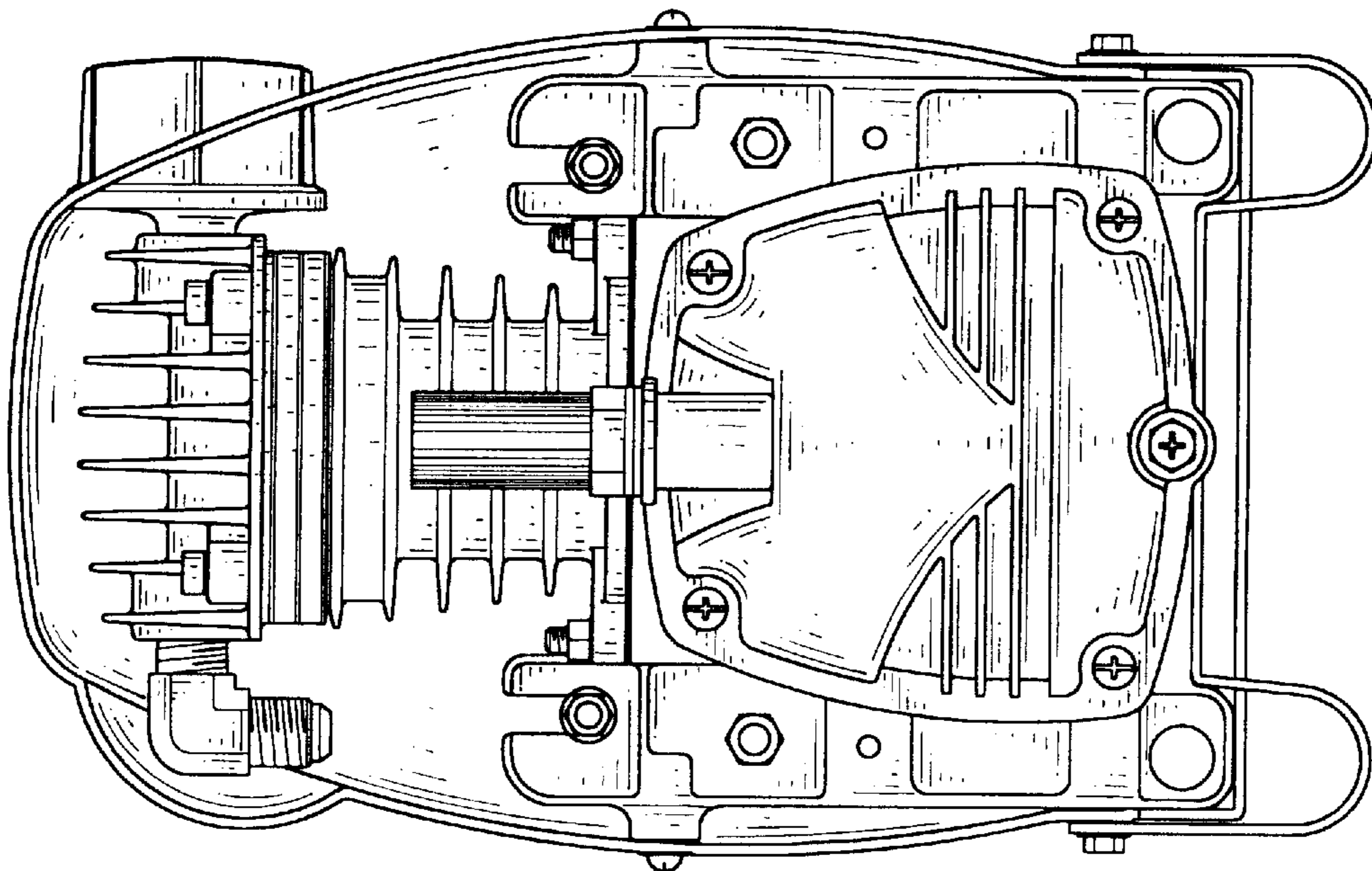


FIG. 4

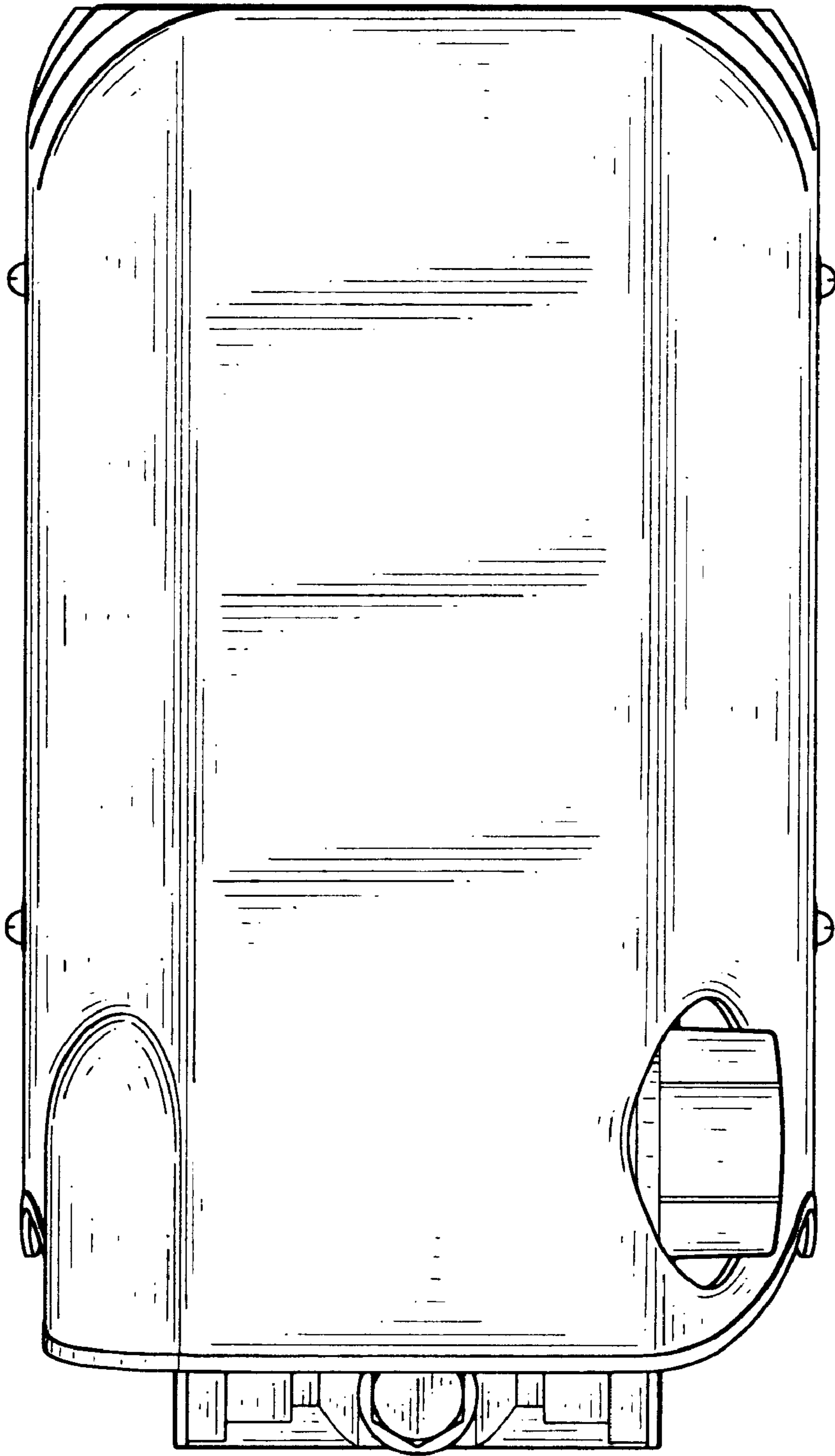


FIG. 6

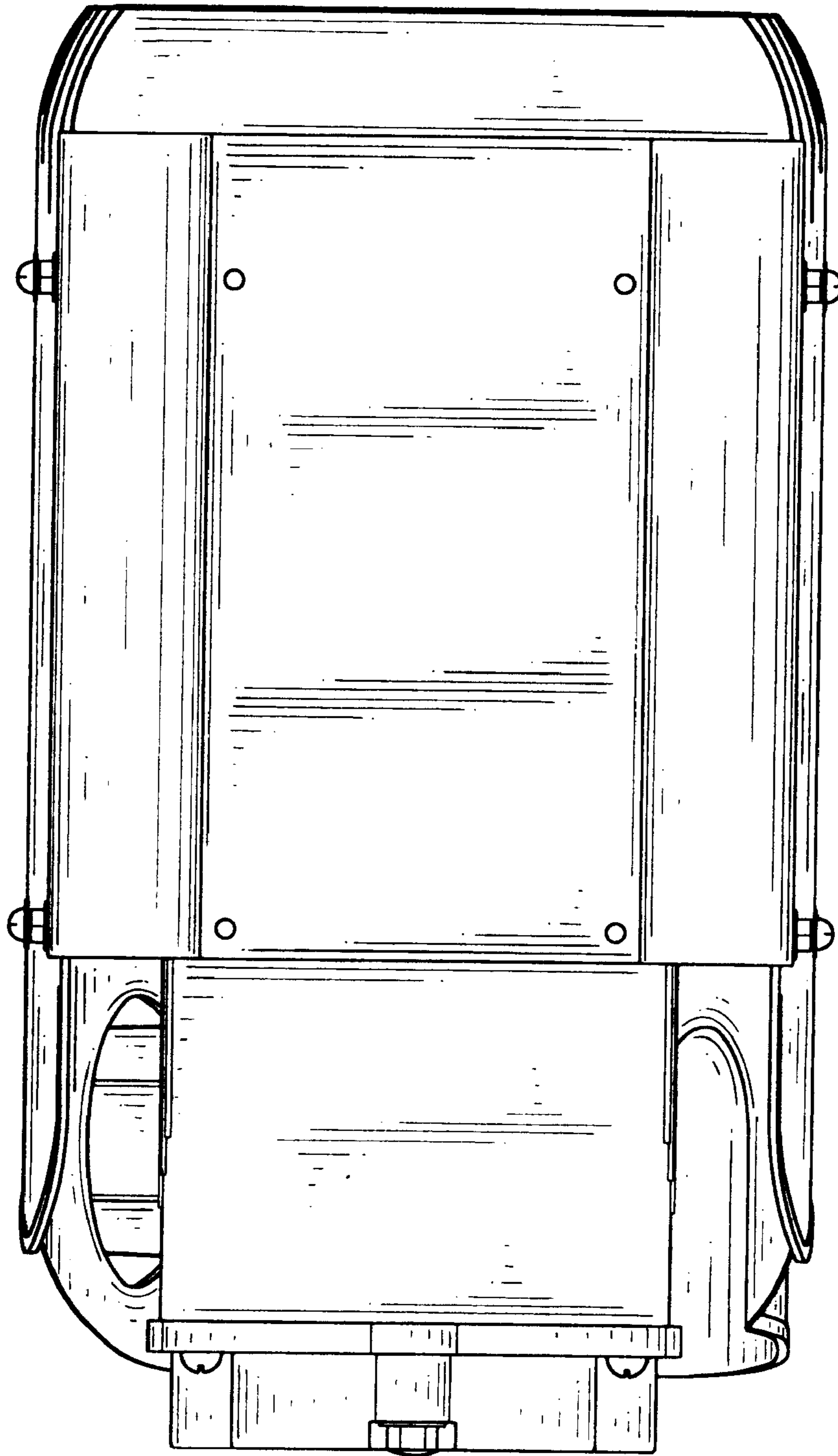


FIG. 7

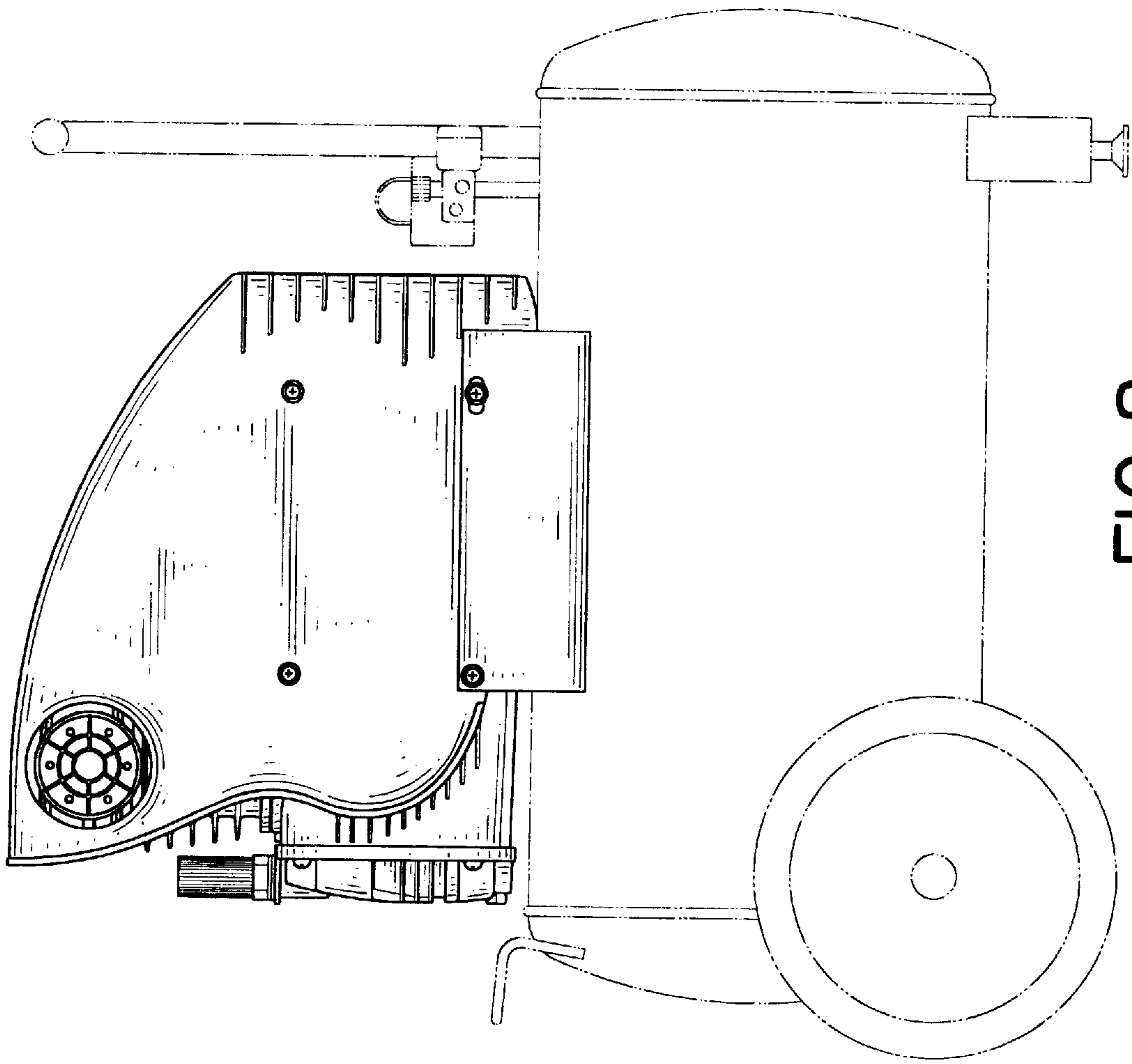


FIG.8