



US00D484877S

(12) **United States Design Patent**  
**Umezawa et al.**

(10) **Patent No.:** **US D484,877 S**

(45) **Date of Patent:** **\*\* Jan. 6, 2004**

(54) **COMPUTER**

(75) Inventors: **Kazuhiko Umezawa**, Tokyo (JP); **Jun Kubokawa**, Yamanashi (JP); **Youichi Higuchi**, Yamanashi (JP); **Yoshinao Segawa**, Tokyo (JP)

(73) Assignee: **NEC Corporation**, Tokyo (JP)

(\*\*) Term: **14 Years**

(21) Appl. No.: **29/173,129**

(22) Filed: **Dec. 24, 2002**

(30) **Foreign Application Priority Data**

Jun. 27, 2002 (JP) ..... 2002-017298

(51) **LOC (7) Cl.** ..... **14-02**

(52) **U.S. Cl.** ..... **D14/311**

(58) **Field of Search** ..... D14/300-313,  
D14/348-356, 440, 441, 445, 446; 312/223.2;  
361/683, 724

(56) **References Cited**

**U.S. PATENT DOCUMENTS**

D314,947 S \* 2/1991 Imamura ..... D14/354

D315,722 S \* 3/1991 Imamura et al. .... D14/355  
D341,574 S \* 11/1993 Fiorella et al. .... D14/311  
D345,549 S \* 3/1994 Guber et al. .... D14/311  
D350,333 S \* 9/1994 Sharp ..... D14/355  
6,024,426 A \* 2/2000 Korinsky et al. .... 312/223.2  
D476,001 S \* 6/2003 Crisp et al. .... D14/354

\* cited by examiner

*Primary Examiner*—Joel Sincavage

(74) *Attorney, Agent, or Firm*—Sughrue Mion, PLLC

(57) **CLAIM**

The ornamental design for a computer, as shown and described.

**DESCRIPTION**

FIG. 1 is a perspective view of the top, front and right side of a computer showing our new design; FIG. 2 is a front elevational view thereof; FIG. 3 is a rear elevational view thereof; FIG. 4 is a bottom plan view thereof; FIG. 5 is a top plan view thereof; FIG. 6 is a right side elevational view thereof; and, FIG. 7 is a left side elevational view thereof.

**1 Claim, 4 Drawing Sheets**

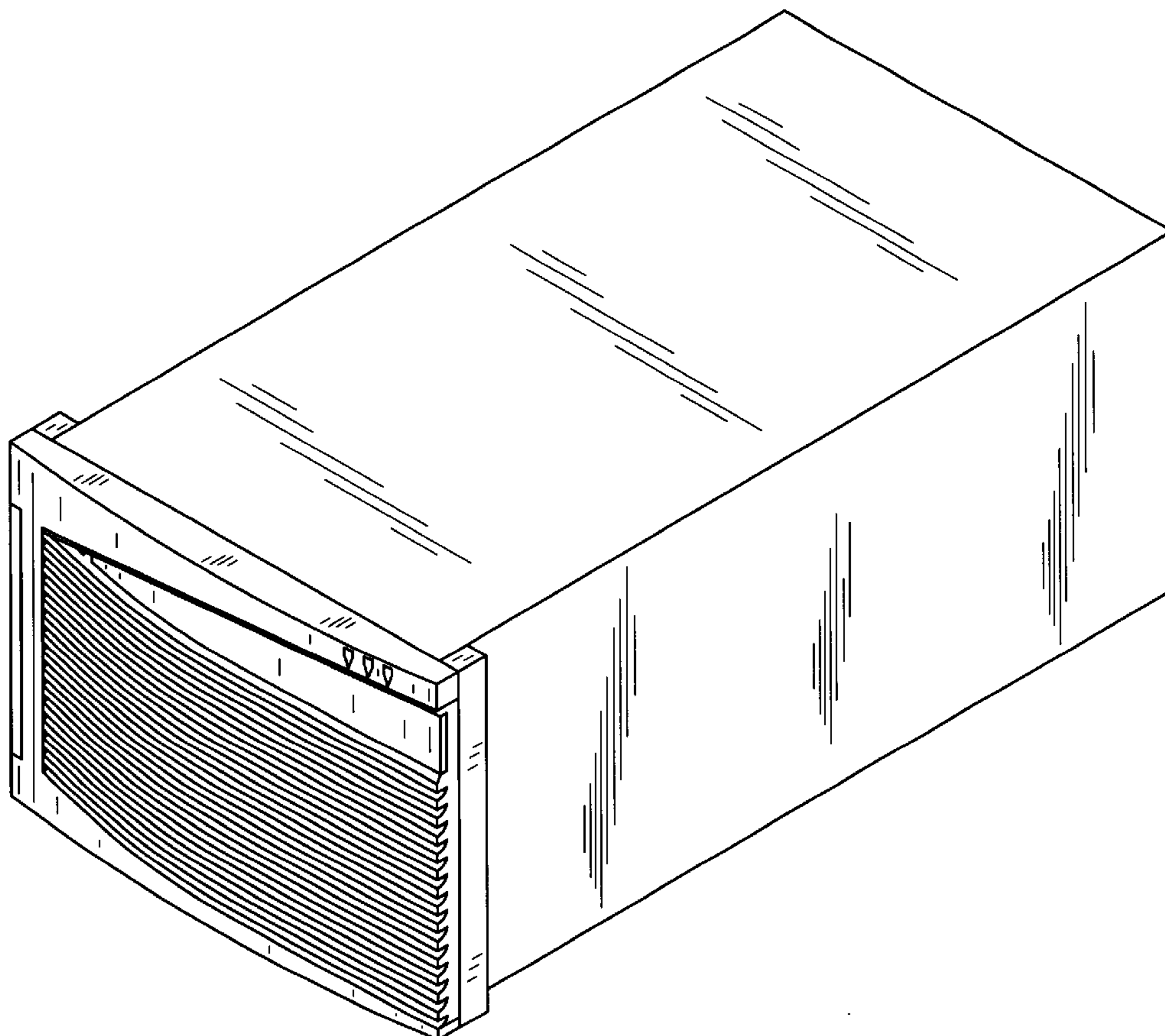
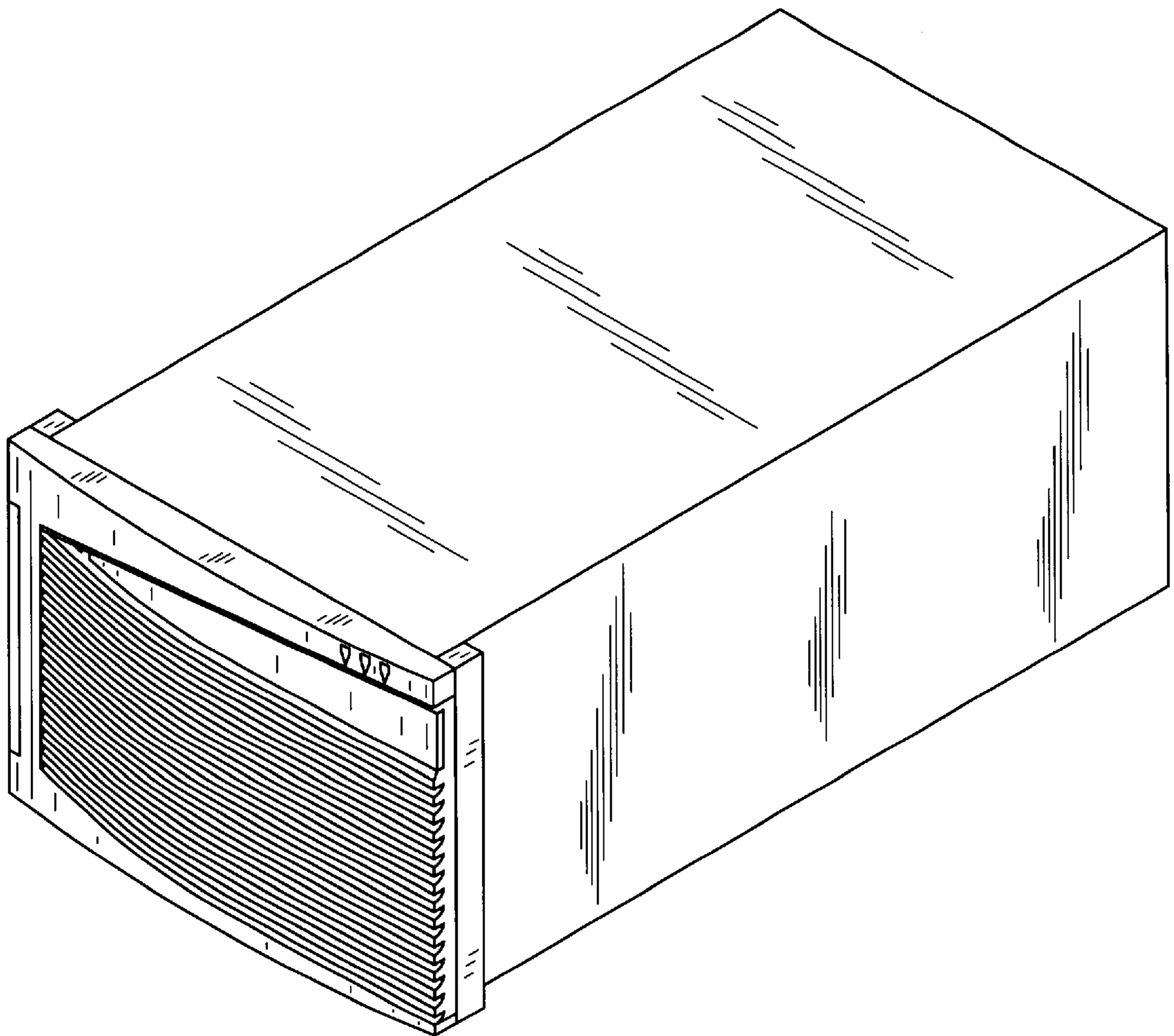
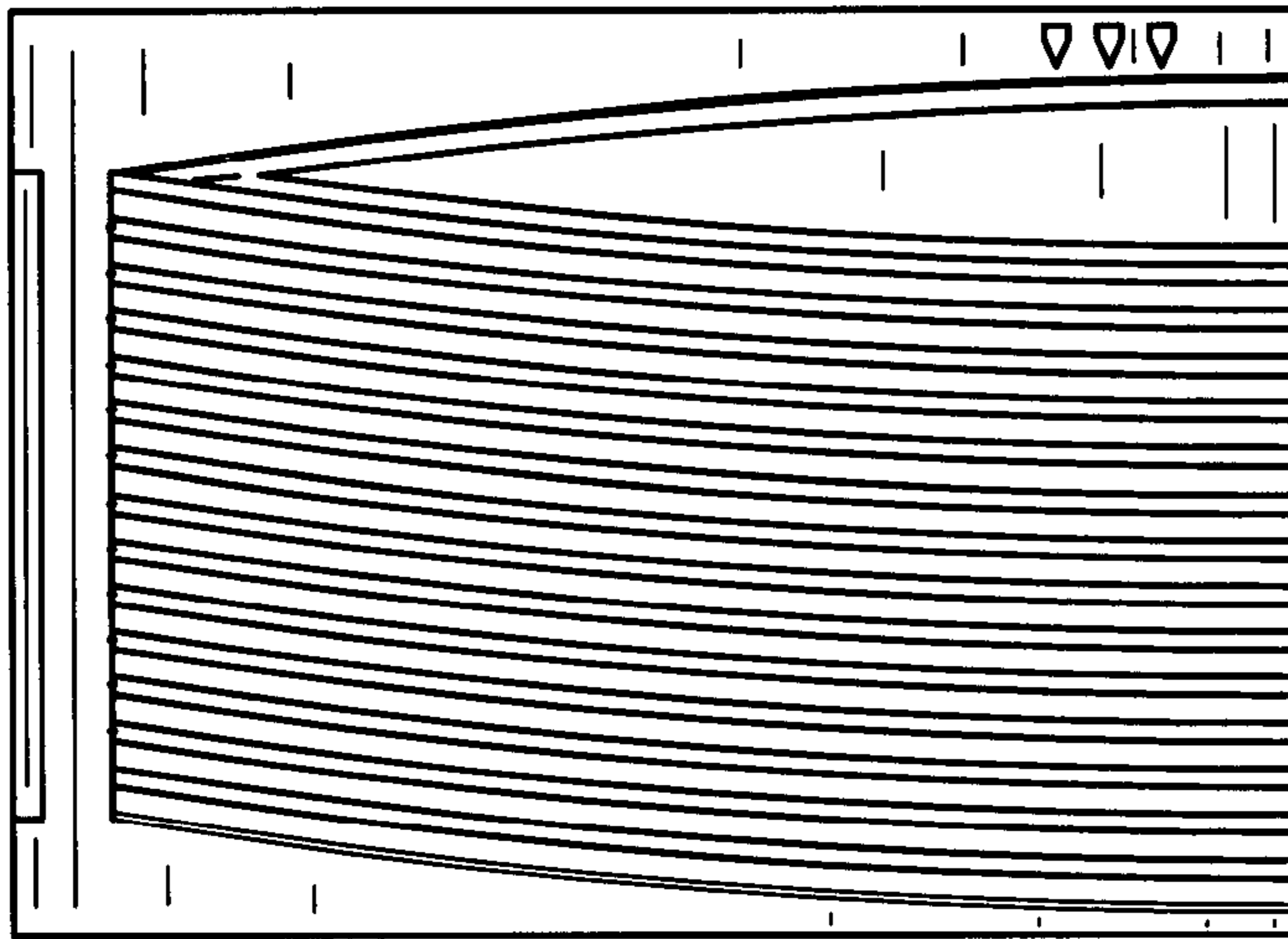


FIG. 1



# FIG. 2



# FIG. 3

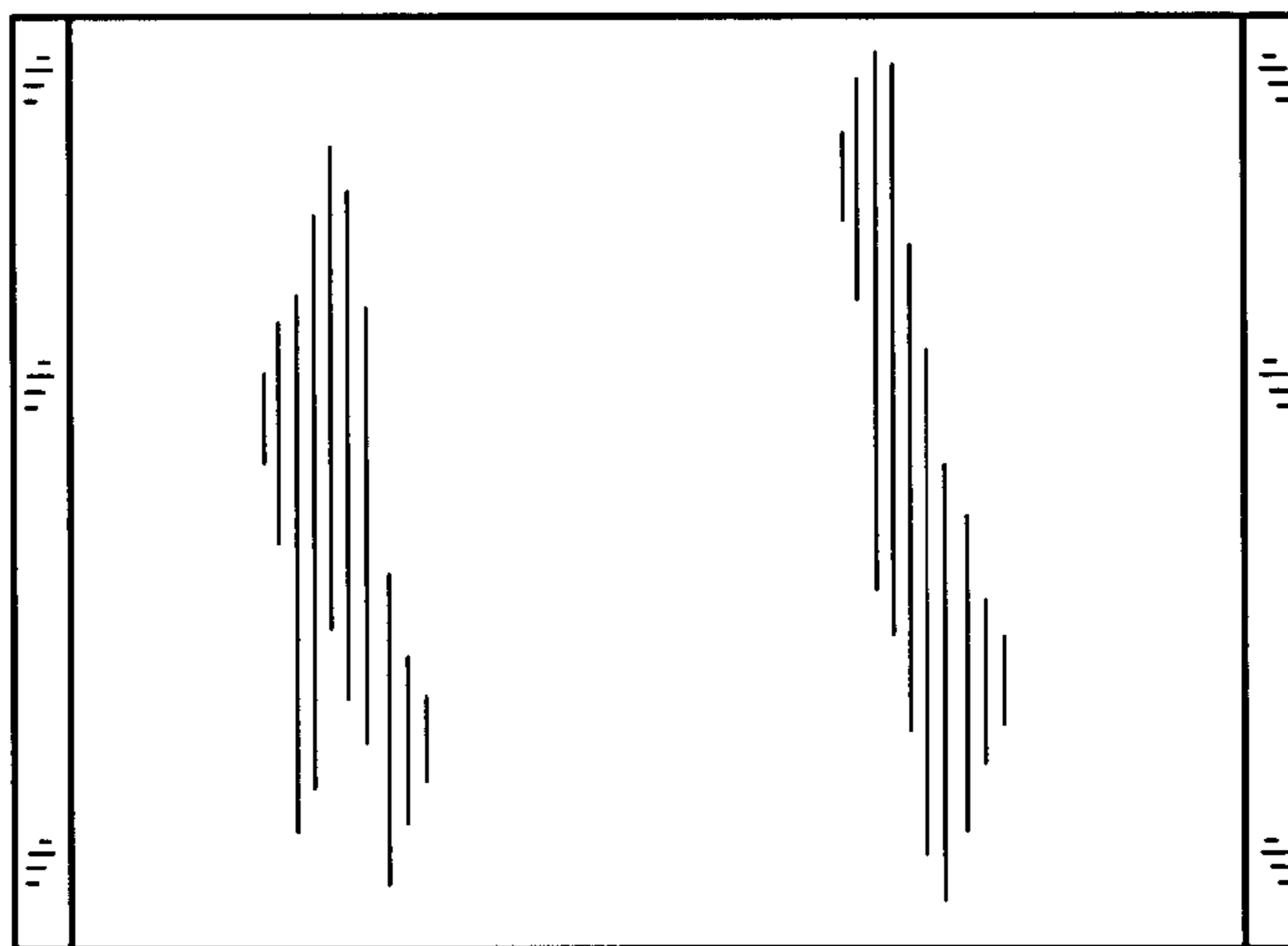


FIG. 4

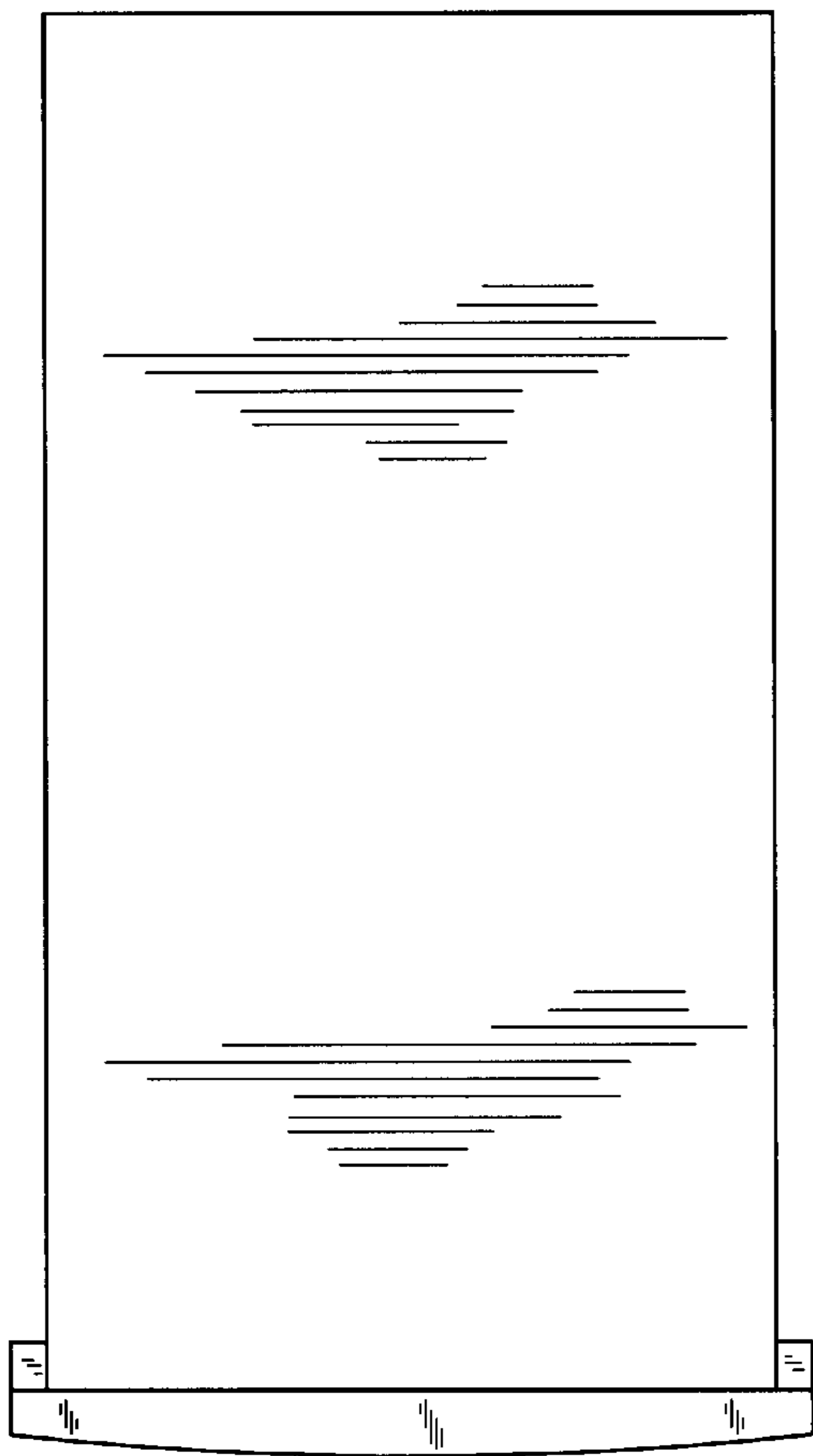


FIG. 5

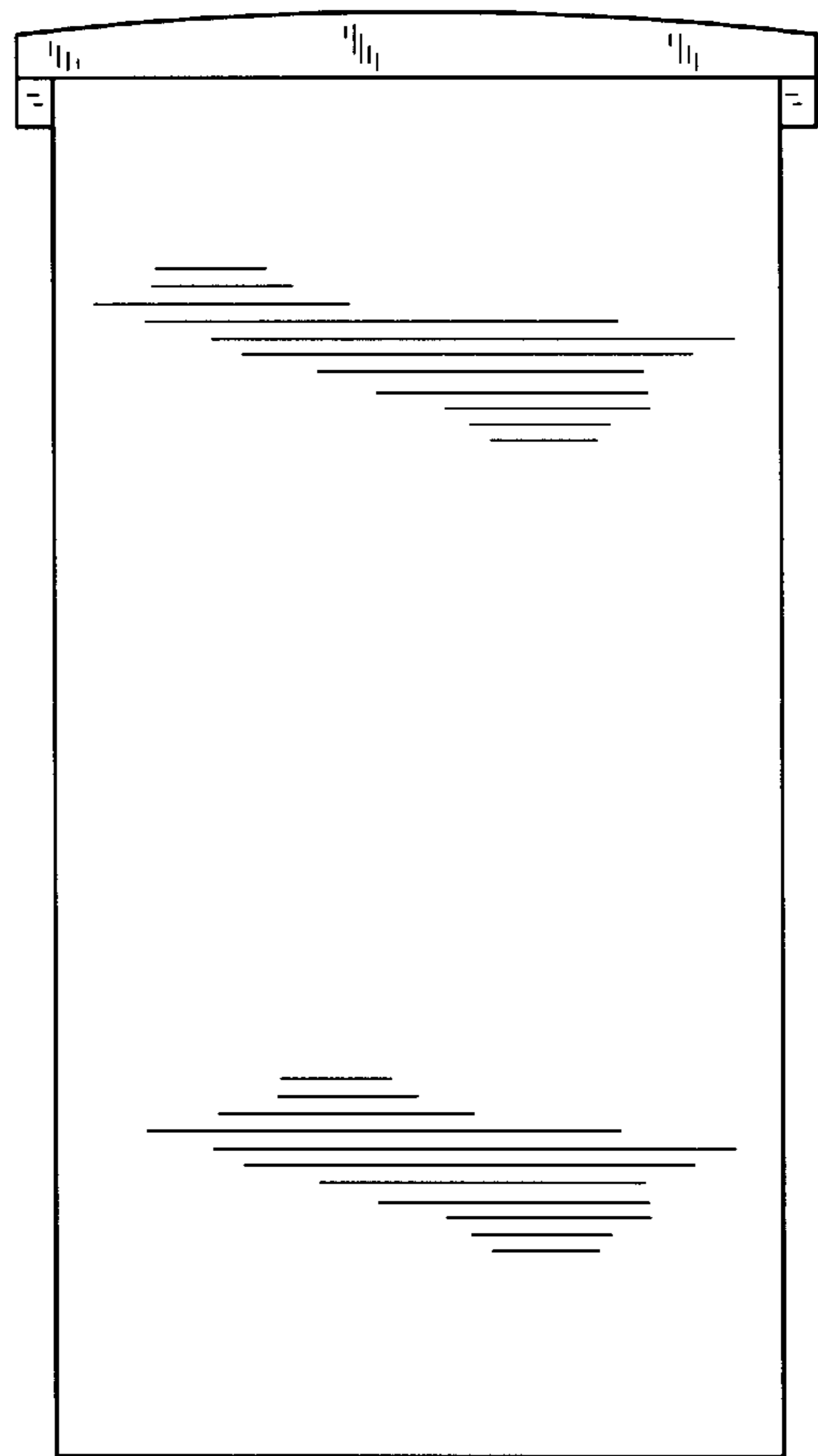


FIG. 6

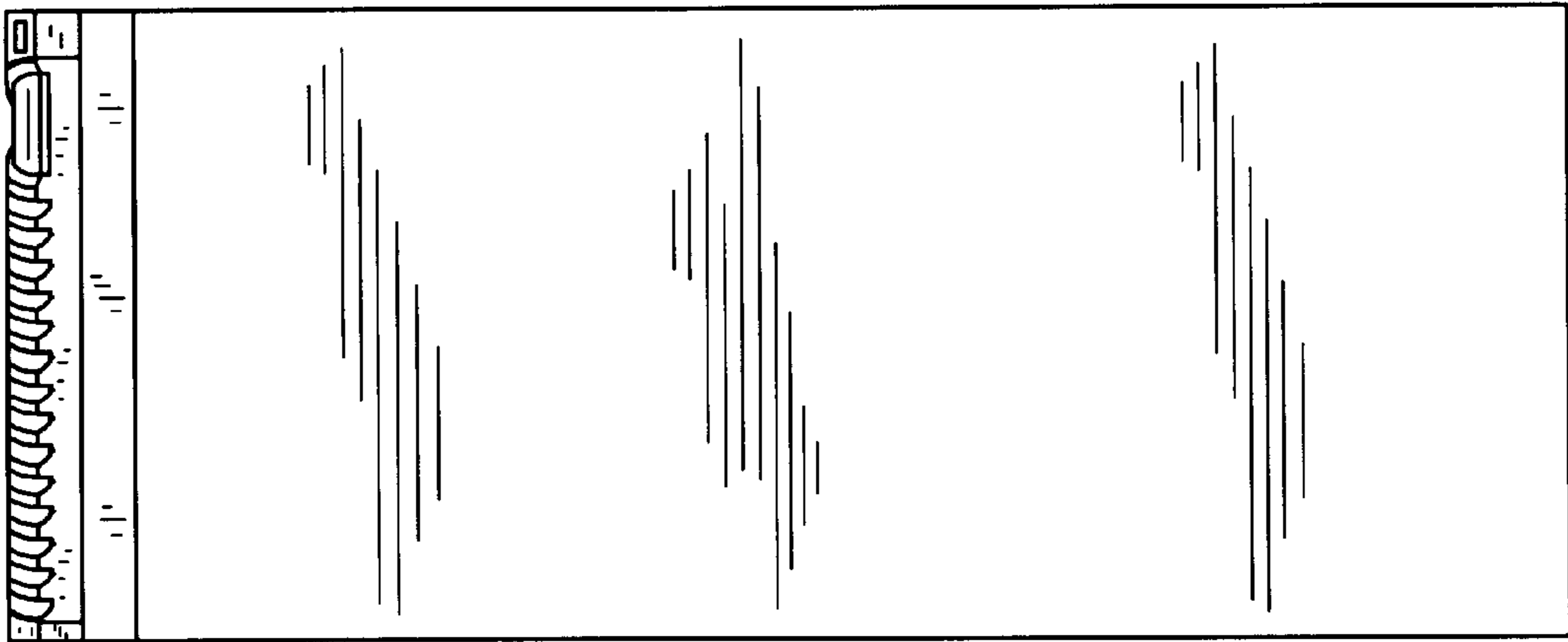


FIG. 7

