



US00D484876S

(12) **United States Design Patent**
Newton

(10) **Patent No.:** **US D484,876 S**

(45) **Date of Patent:** **** Jan. 6, 2004**

- (54) **AUDIO COMPONENT FACE**
- (75) **Inventor:** **Jason James Newton**, Malden, MA (US)
- (73) **Assignee:** **Harman International Industries, Incorporated**, Northridge, CA (US)
- (**) **Term:** **14 Years**
- (21) **Appl. No.:** **29/172,523**
- (22) **Filed:** **Dec. 13, 2002**
- (51) **LOC (7) Cl.** **14-03**
- (52) **U.S. Cl.** **D14/257**
- (58) **Field of Search** D14/135-136, D14/156-157, 160-164, 167-168, 188, 193-198, 257-258, 265; 362/26-27, 86, 253; 369/6-7, 75.1, 75.2, 77.1, 77.2; 455/344, 347, 350-351

D391,958 S	3/1998	Miyazawa et al.
5,862,468 A *	1/1999	Kim 369/75.1
D407,705 S *	4/1999	Bryant D14/157
D431,033 S	9/2000	Takahashi et al.
D431,238 S	9/2000	Ito et al.
D454,553 S	3/2002	Beard et al.
D454,860 S	3/2002	Beard et al.
D476,651 S	7/2003	Clark et al.

* cited by examiner

Primary Examiner—Nanda Bondade
(74) *Attorney, Agent, or Firm*—Plumsea Law Group, LLC

(57) **CLAIM**

The ornamental design for an audio component face, as shown and described.

DESCRIPTION

FIG. 1 is a top plan view of an audio component face showing my new design, the bottom plan view being a mirror image thereof;
 FIG. 2 is a front elevational view thereof; and,
 FIG. 3 is a cross-section taken along line 3—3 thereof.
 The broken line showings of the circular elements on the face are for illustrative purposes only and form no part of the claimed design. The cross-section of FIG. 3 is not cross-hatched or shaded as the interior is not part of the claimed design, FIG. 3 is provided to illustrate the profile of the audio component face at line 3—3.

- (56) **References Cited**
- U.S. PATENT DOCUMENTS**
- D71,103 S 9/1926 Engelson
- D137,625 S * 4/1944 Peterson D14/258
- D298,133 S 10/1988 Tokiyama et al.
- D311,404 S * 10/1990 Repasky D14/258
- D321,336 S * 11/1991 Hoese D12/192
- D328,073 S 7/1992 Yamakawa
- 5,477,432 A * 12/1995 Magic et al. D14/258
- D383,461 S 9/1997 Ito et al.

1 Claim, 1 Drawing Sheet

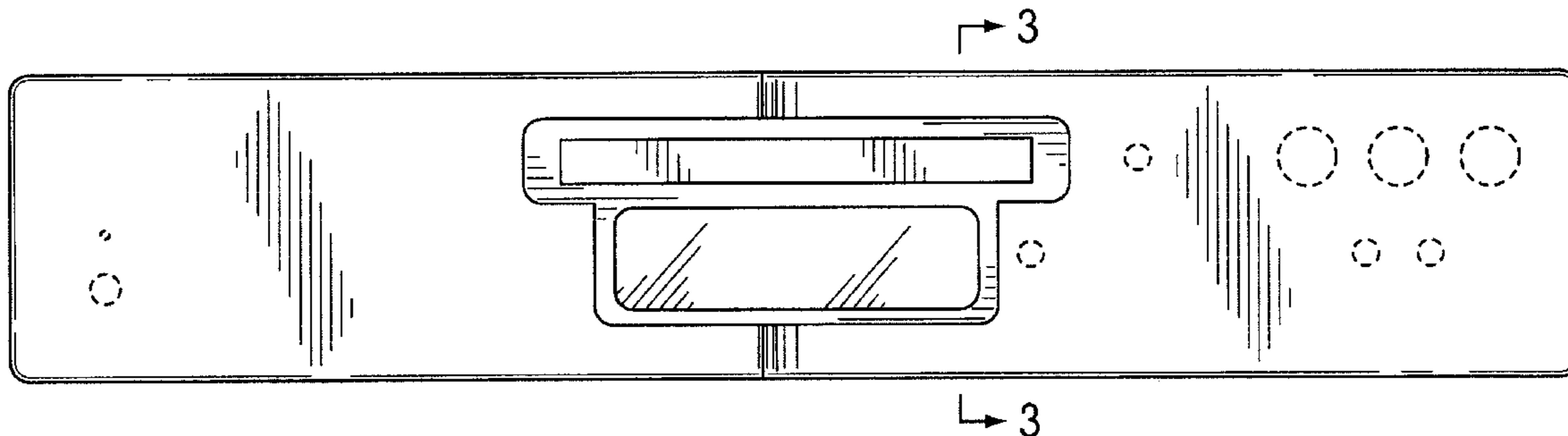




FIG. 1

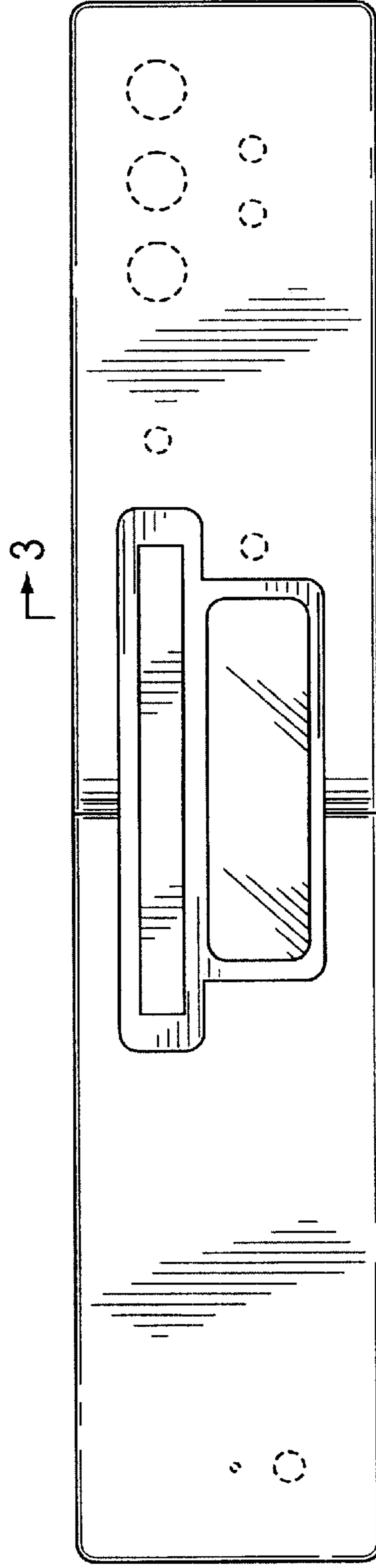


FIG. 2

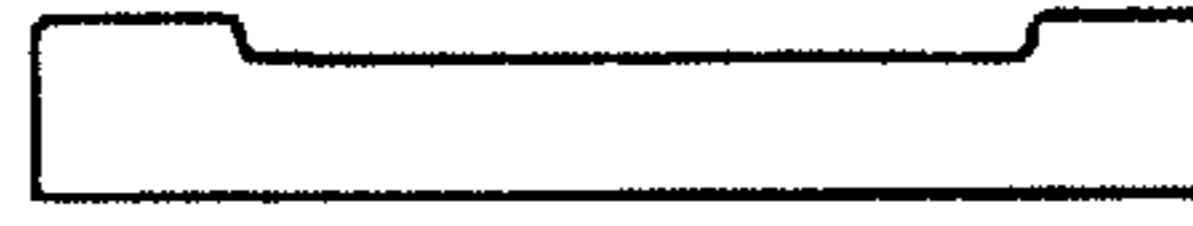


FIG. 3