



US00D484867S

(12) **United States Design Patent**  
**Little, Jr.**

(10) **Patent No.: US D484,867 S**

(45) **Date of Patent: \*\* Jan. 6, 2004**

(54) **EMERGENCY ALERT RADIO RECEIVER**

(76) **Inventor: James Albert Little, Jr., 99 Tobacco Rd., Rocky Mount, NC (US) 27801**

(\*\*) **Term: 14 Years**

(21) **Appl. No.: 29/183,148**

(22) **Filed: Jun. 5, 2003**

(51) **LOC (7) Cl. .... 14-03**

(52) **U.S. Cl. .... D14/192; D14/188**

(58) **Field of Search** ..... D14/188, 192, D14/194, 196, 198, 204, 168, 169, 155; D10/104, 106, 121; 455/100, 128, 91, 95, 97, 344, 347, 350; 340/500, 539.1, 539.11, 539.22, 540, 541

(56) **References Cited**

**U.S. PATENT DOCUMENTS**

4,151,470	A	*	4/1979	Sato	.....	D69/11
4,310,923	A	*	1/1982	Kennedy	.....	455/90
D304,310	S	*	10/1989	Calis	.....	D10/106
D310,523	S	*	9/1990	Hino et al.	.....	D14/192

D313,021	S	*	12/1990	Ehrmann	.....	D14/196
D351,169	S	*	10/1994	Leung	.....	D14/188
D390,233	S	*	2/1998	Zeitman	.....	D14/194
D414,128	S	*	9/1999	Tpyota	.....	D10/104
D418,137	S	*	12/1999	Zeitman	.....	D14/194
D457,873	S	*	5/2002	Ng	.....	D14/197
D473,537	S	*	4/2003	Lammers-Meis	.....	D14/188

\* cited by examiner

*Primary Examiner*—Prabhakar Deshmukh

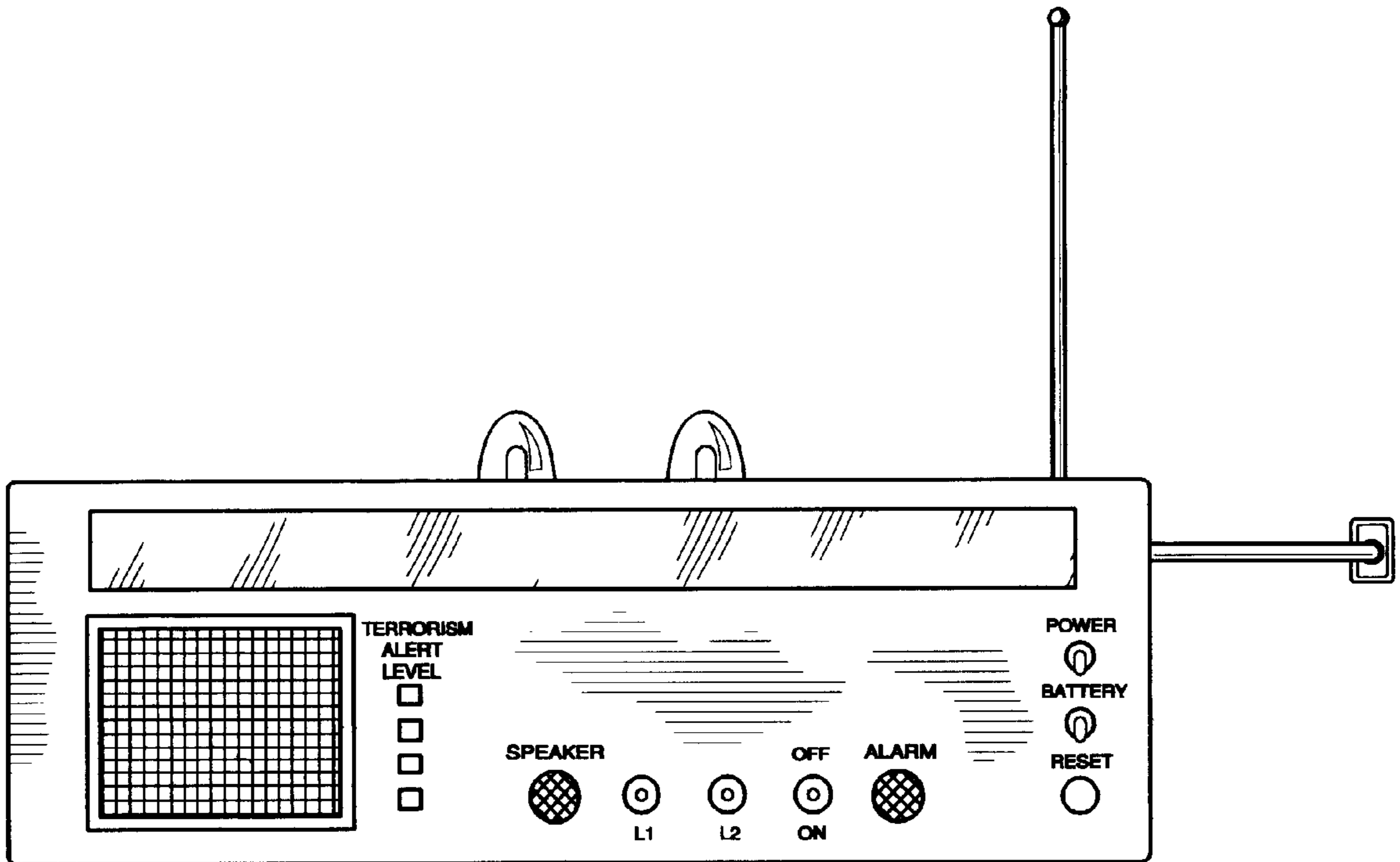
(57) **CLAIM**

The ornamental design for an emergency alert radio receiver, as shown and described.

**DESCRIPTION**

FIG. 1 is a front elevational view of an emergency alert radio receiver showing my new design; FIG. 2 is a rear elevational view thereof; FIG. 3 is a side view, taken from the left side of FIG. 1; FIG. 4 is a side view, taken from the right side of FIG. 1; FIG. 5 is a top plan view thereof; and, FIG. 6 is a bottom plan view thereof.

**1 Claim, 3 Drawing Sheets**



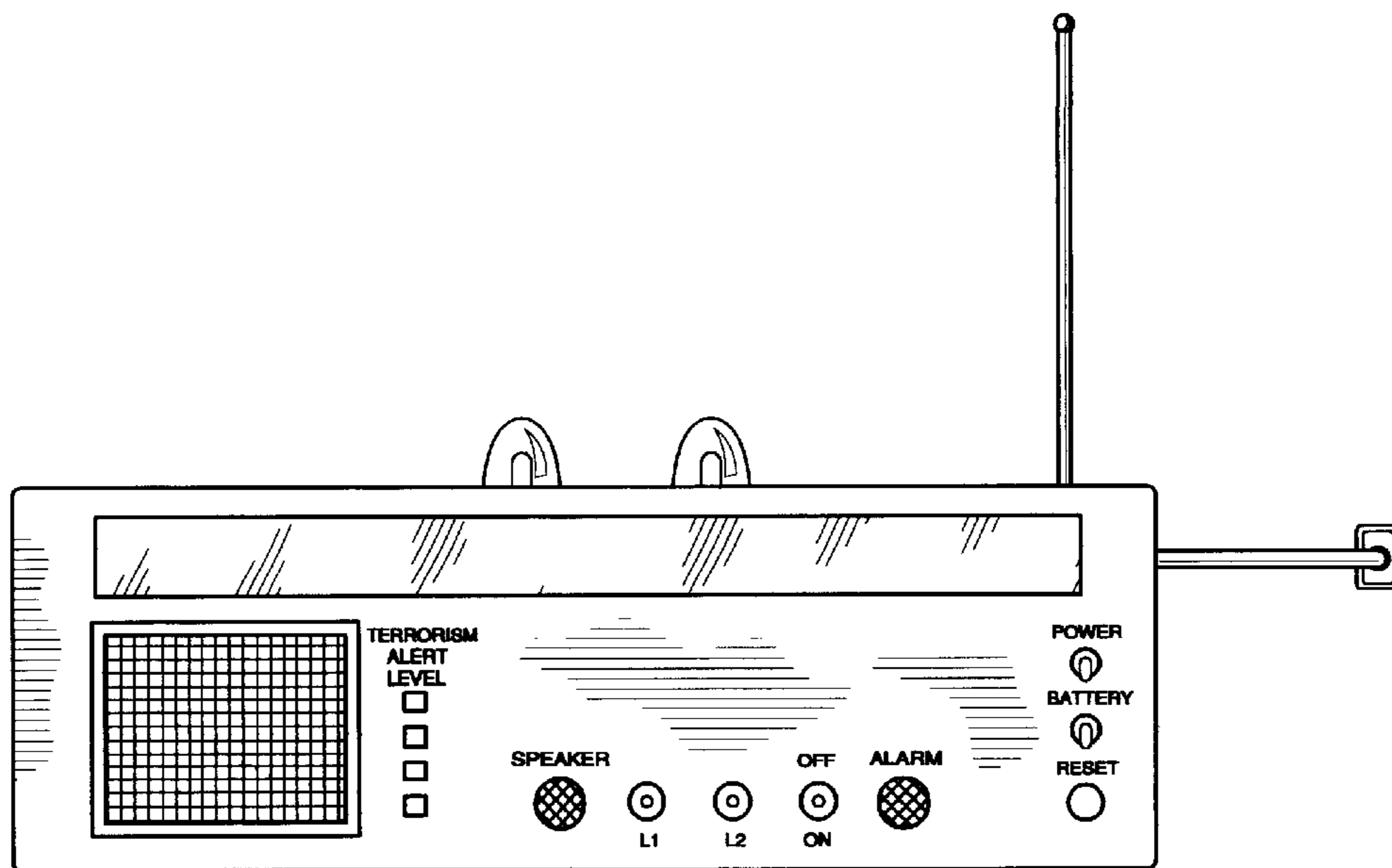


FIG.1

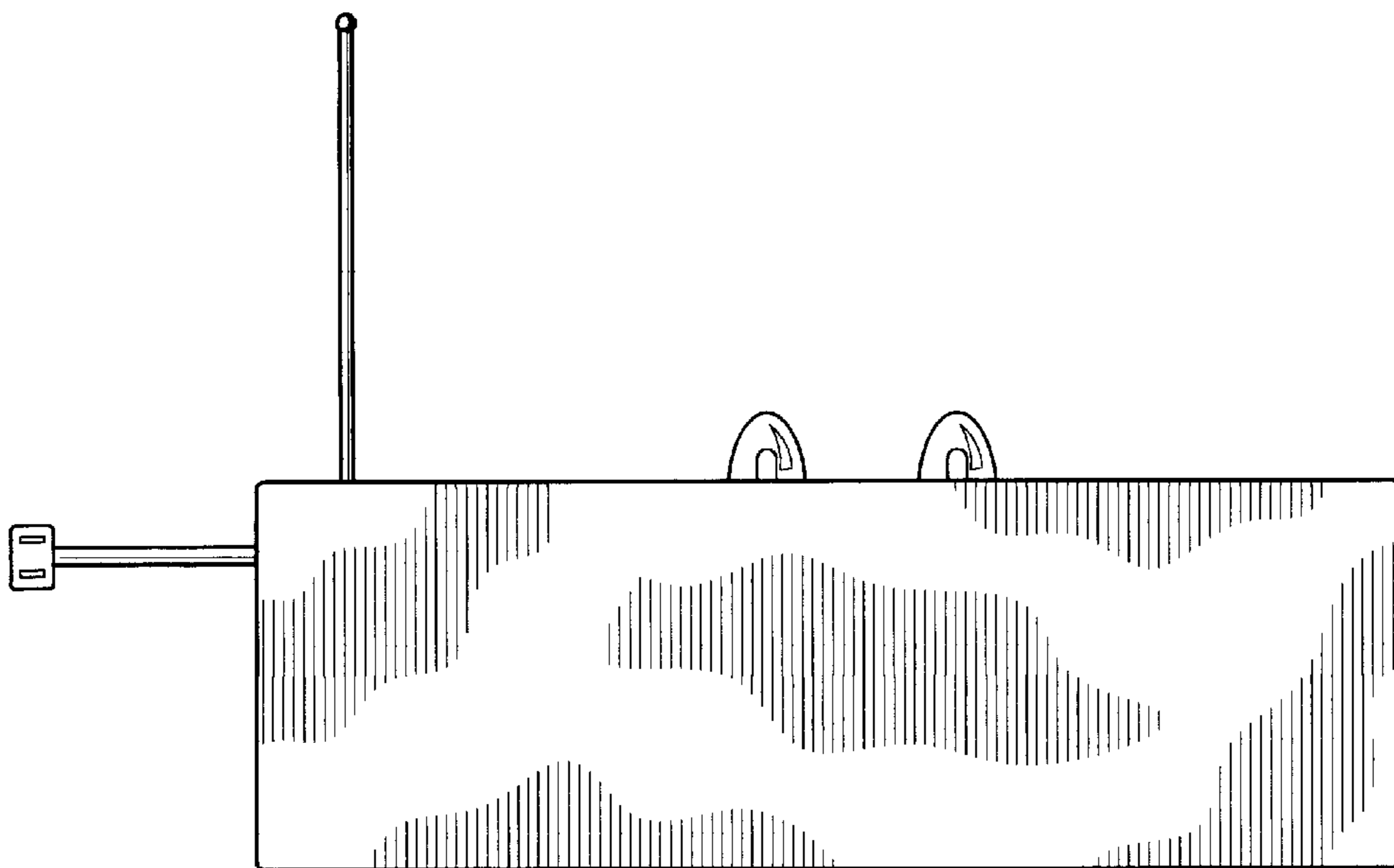


FIG.2

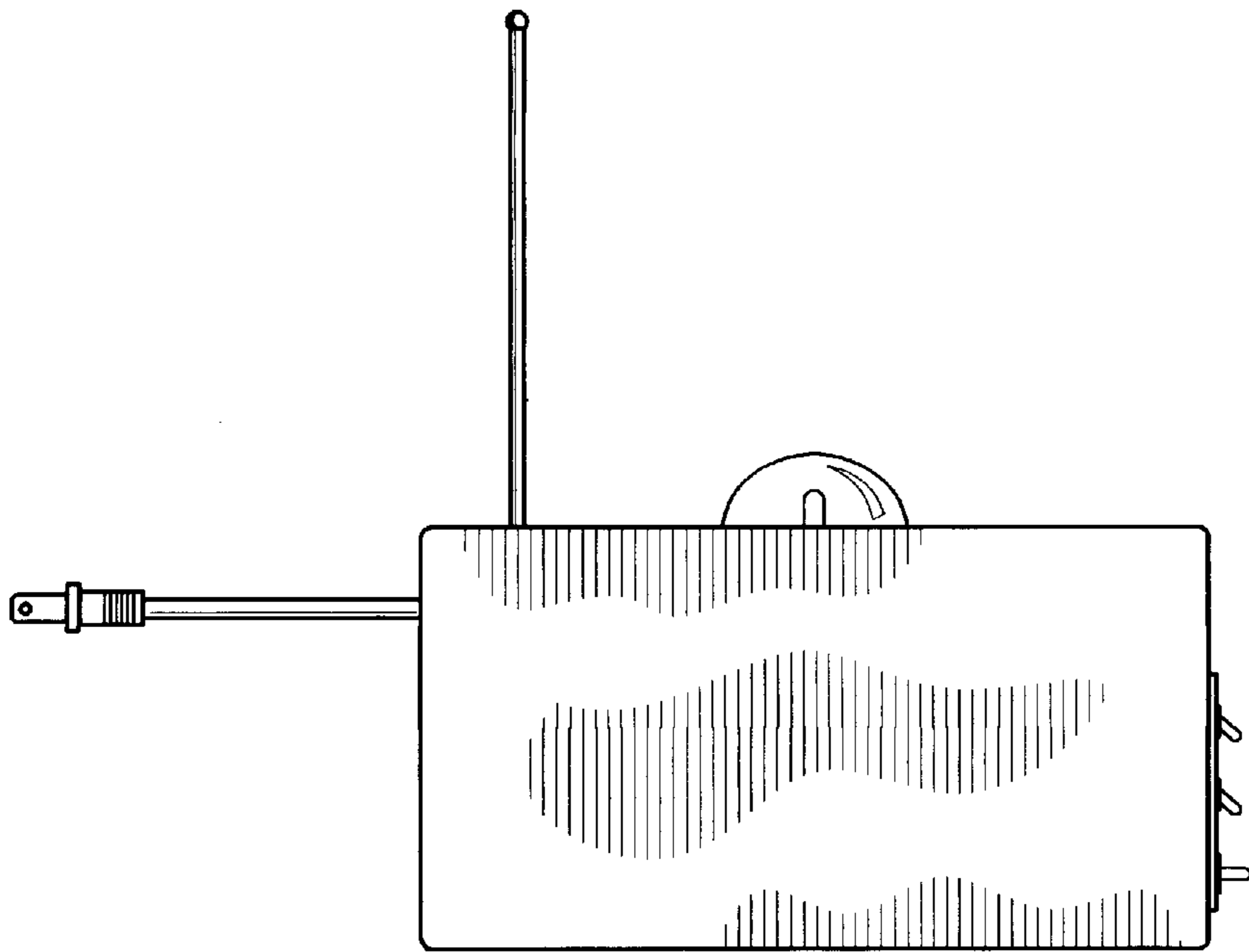


FIG. 3

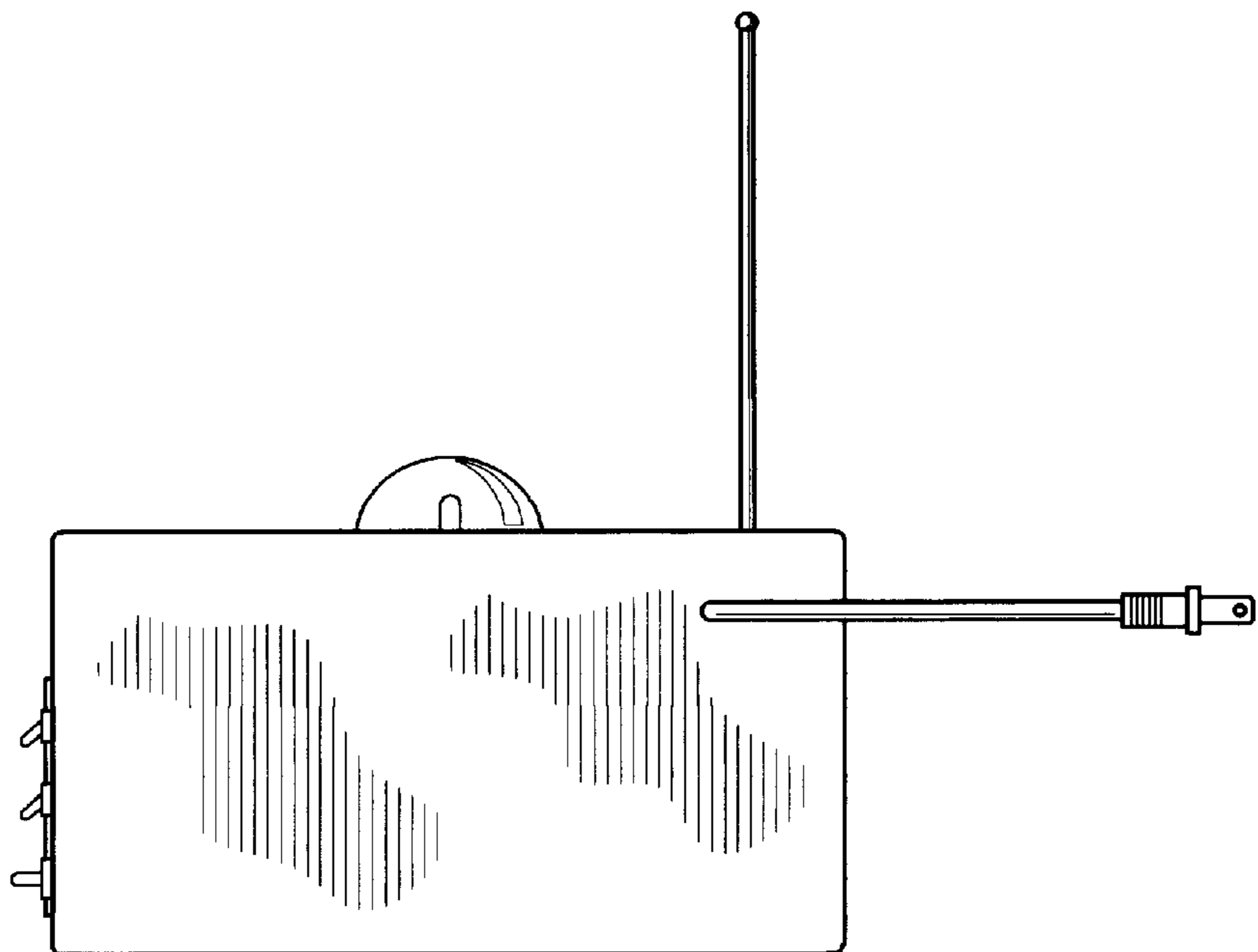


FIG. 4

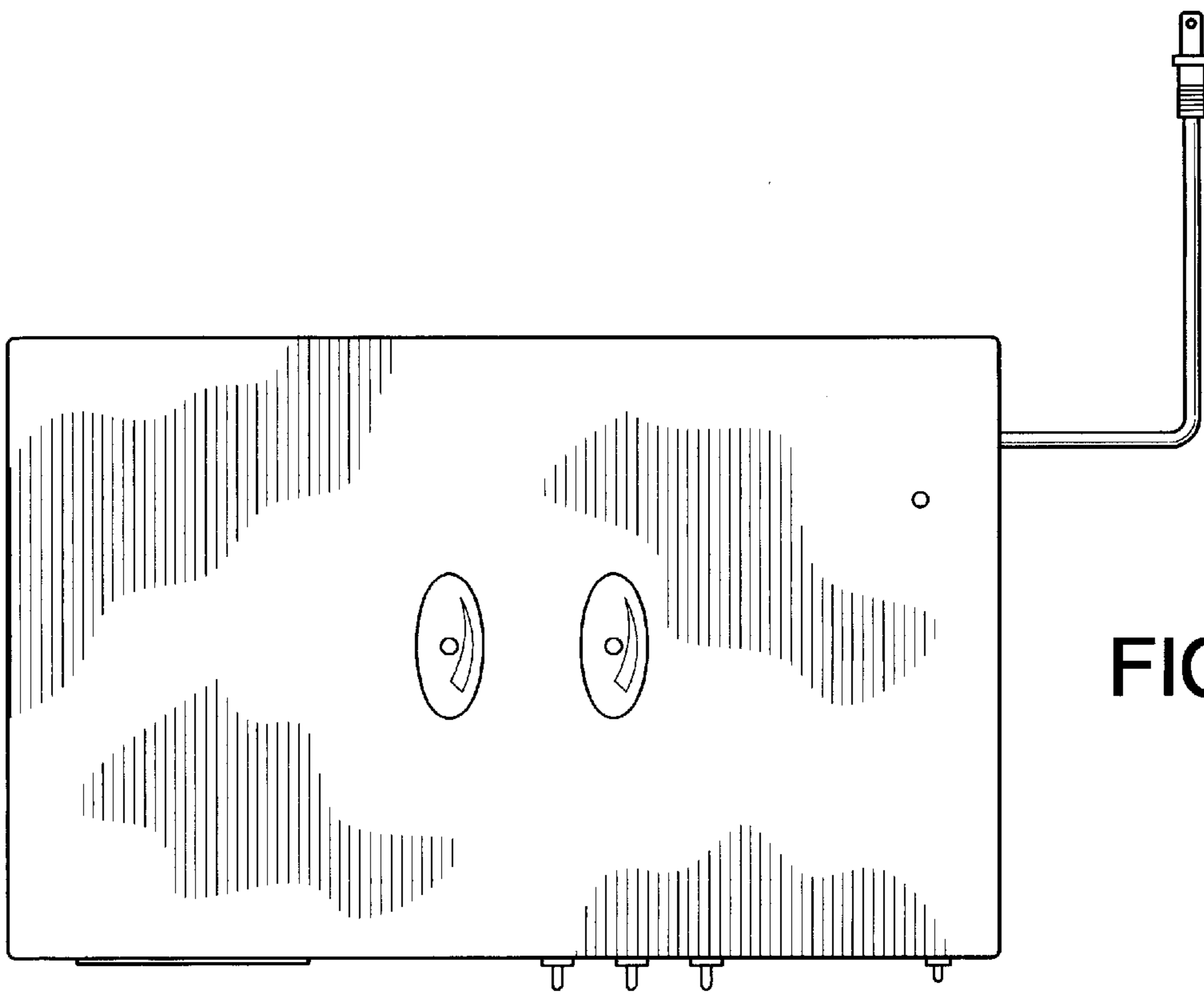


FIG. 5

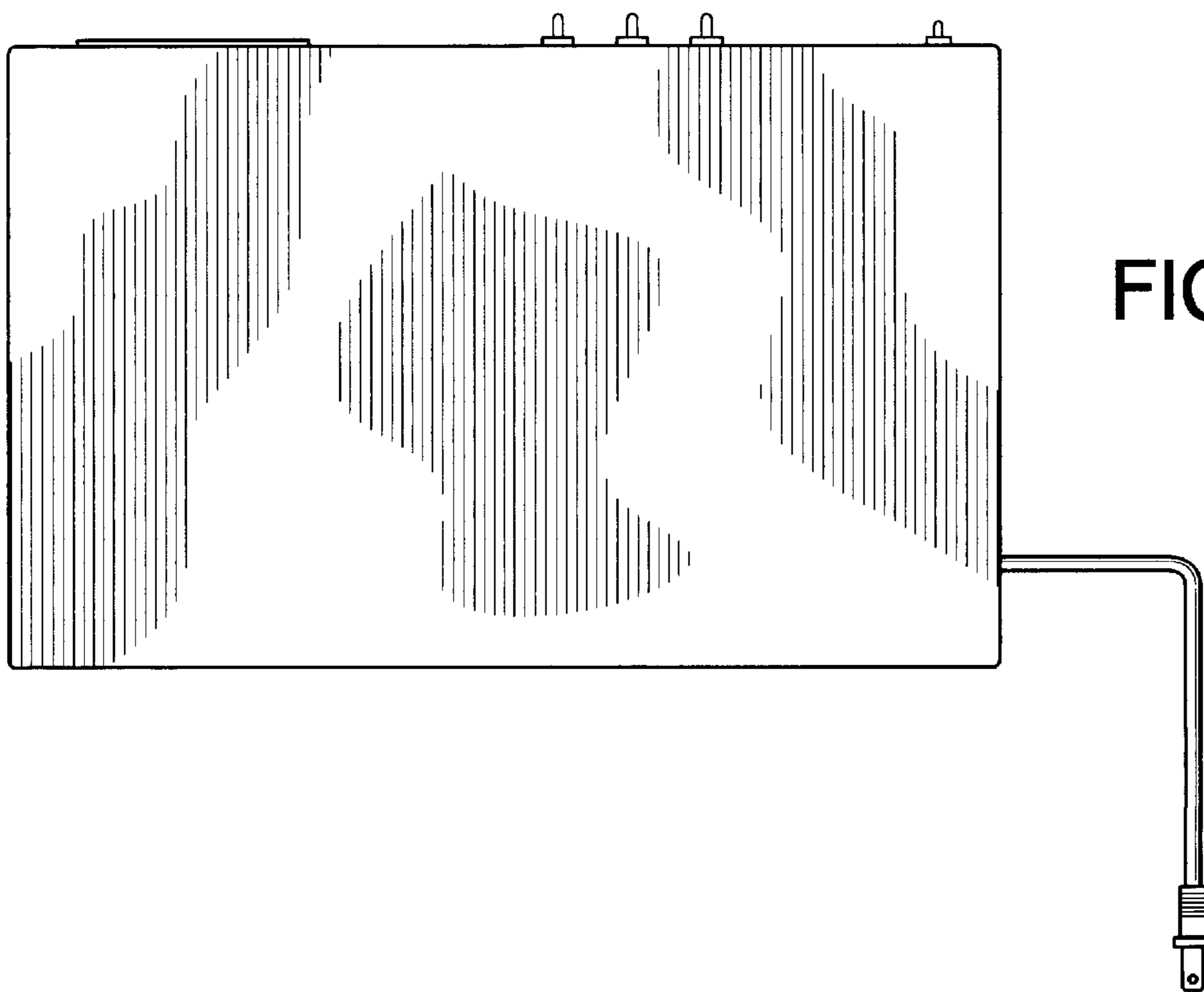


FIG. 6