



US00D484866S

(12) **United States Design Patent**  
**Tanaka**

(10) **Patent No.:** **US D484,866 S**

(45) **Date of Patent:** **\*\* Jan. 6, 2004**

(54) **DISC PLAYER**

(75) Inventor: **Soichi Tanaka**, Tokyo (JP)

(73) Assignee: **Sony Corporation**, Tokyo (JP)

(\*\*) Term: **14 Years**

(21) Appl. No.: **29/170,132**

(22) Filed: **Nov. 1, 2002**

(51) **LOC (7) Cl.** ..... **14-01**

(52) **U.S. Cl.** ..... **D14/156**

(58) **Field of Search** ..... D14/135-136,  
D14/156-157, 160-165, 167-168, 188,  
193-198, 217; 369/75.1, 75.2, 77.1, 77.2

(56) **References Cited**

**U.S. PATENT DOCUMENTS**

D350,352 S	*	9/1994	Tsuge	.....	D14/156
D399,506 S	*	10/1998	Takahashi et al.	.....	D14/156
D441,350 S	*	5/2001	Nakamura et al.	.....	D14/156
D458,243 S		6/2002	Kobayashi		
D459,333 S	*	6/2002	Nakamura	.....	D14/156

**OTHER PUBLICATIONS**

Web page "Sony Consumer electronics guide: D-E220"  
<http://www.sel.sony.com/SEL/consumer/ss5/home/cdwalk-manrtm/coreline/d-e220.shtml>, 1 sheet, SONY (2000).

Web page "SONICblue Inc: Rio Volt SP250" wysiwyg://37/  
[http://www.sonicblue.com/audio/rio/rivolt\\_sp250.asp](http://www.sonicblue.com/audio/rio/rivolt_sp250.asp), 1 sheet, SONICblue Inc.

Web page "Sony UK" [http://212.250.57.233/pro\\_runproducts.asp?pid=1147&ShowRa...n+%2D+All&subCat=CD+Walkman&Ire=CatID=7&sProdName=DCJ501](http://212.250.57.233/pro_runproducts.asp?pid=1147&ShowRa...n+%2D+All&subCat=CD+Walkman&Ire=CatID=7&sProdName=DCJ501), 1 sheet, SONY UK (Jul. 2002).

\* cited by examiner

*Primary Examiner*—Nanda Bondade

(74) *Attorney, Agent, or Firm*—Rader, Fishman & Grauer PLLC

(57) **CLAIM**

The ornamental design for a disc player, as shown.

**DESCRIPTION**

FIG. 1 is a perspective view of a disc player showing my new design;

FIG. 2 is a front elevational view thereof;

FIG. 3 is a rear elevational view thereof;

FIG. 4 is a left side elevational view thereof;

FIG. 5 is a right side elevational view thereof;

FIG. 6 is a top plan view thereof; and,

FIG. 7 is a bottom plan view thereof.

**1 Claim, 6 Drawing Sheets**

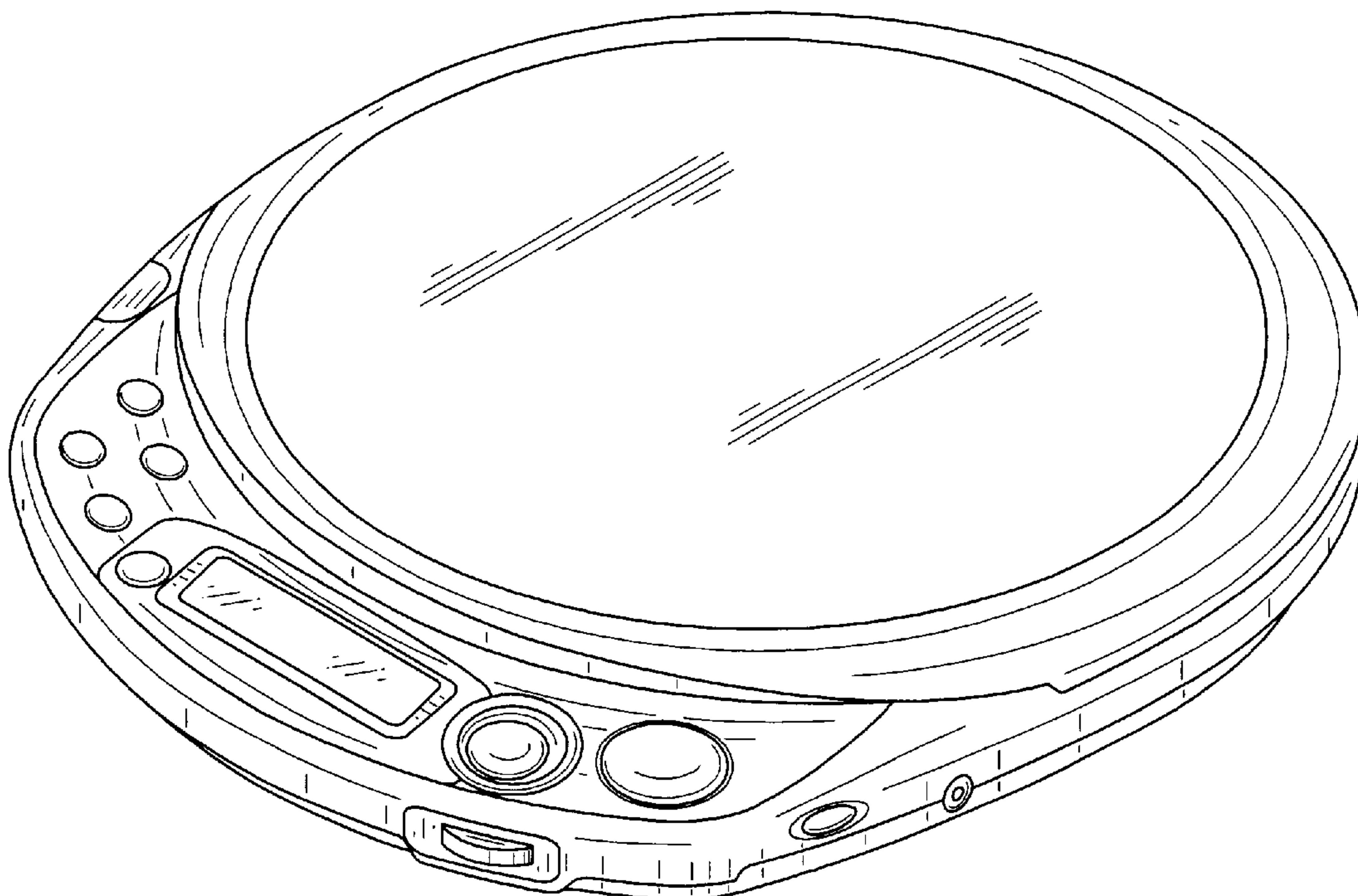


FIG. 1

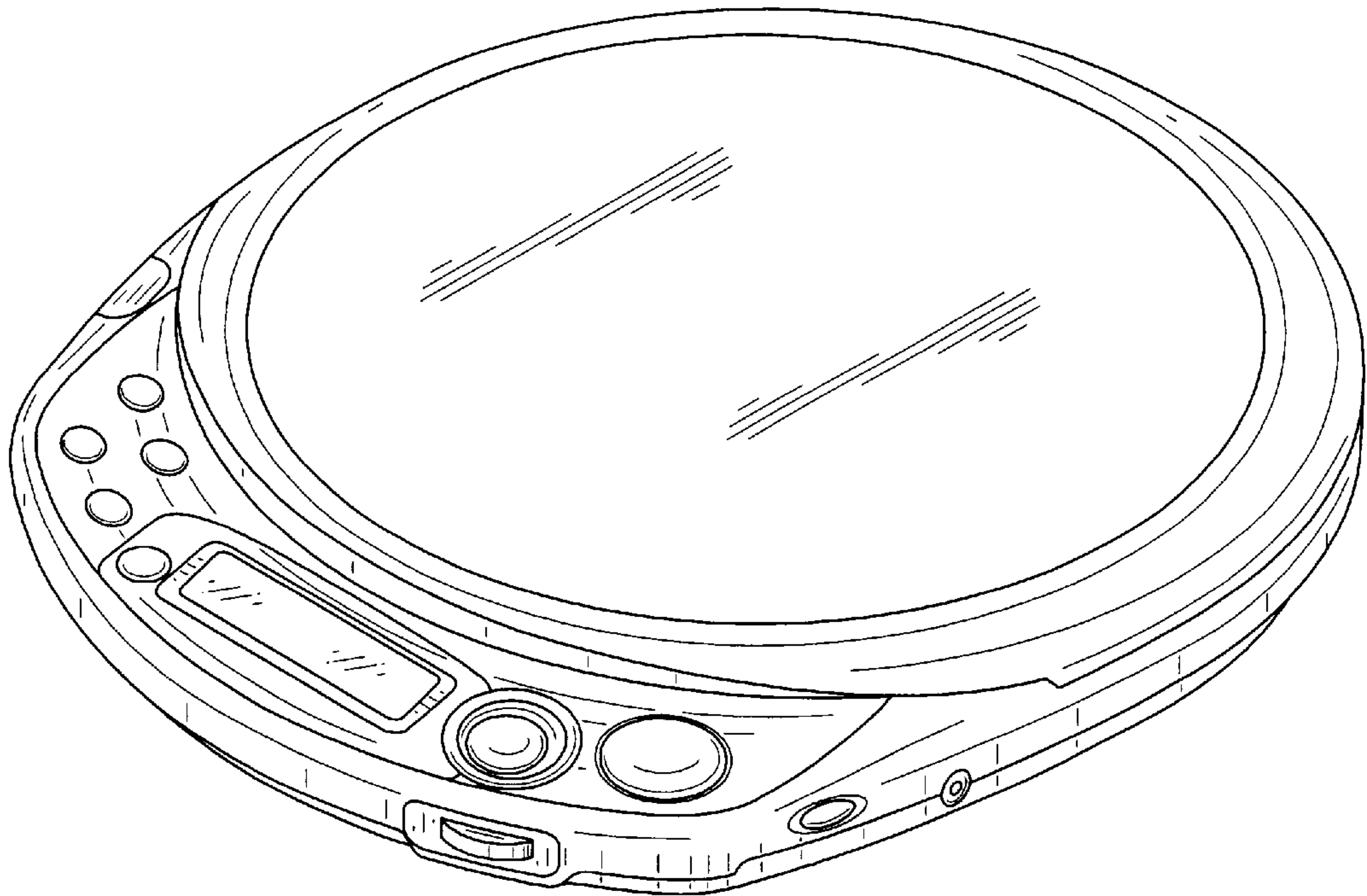


FIG. 2

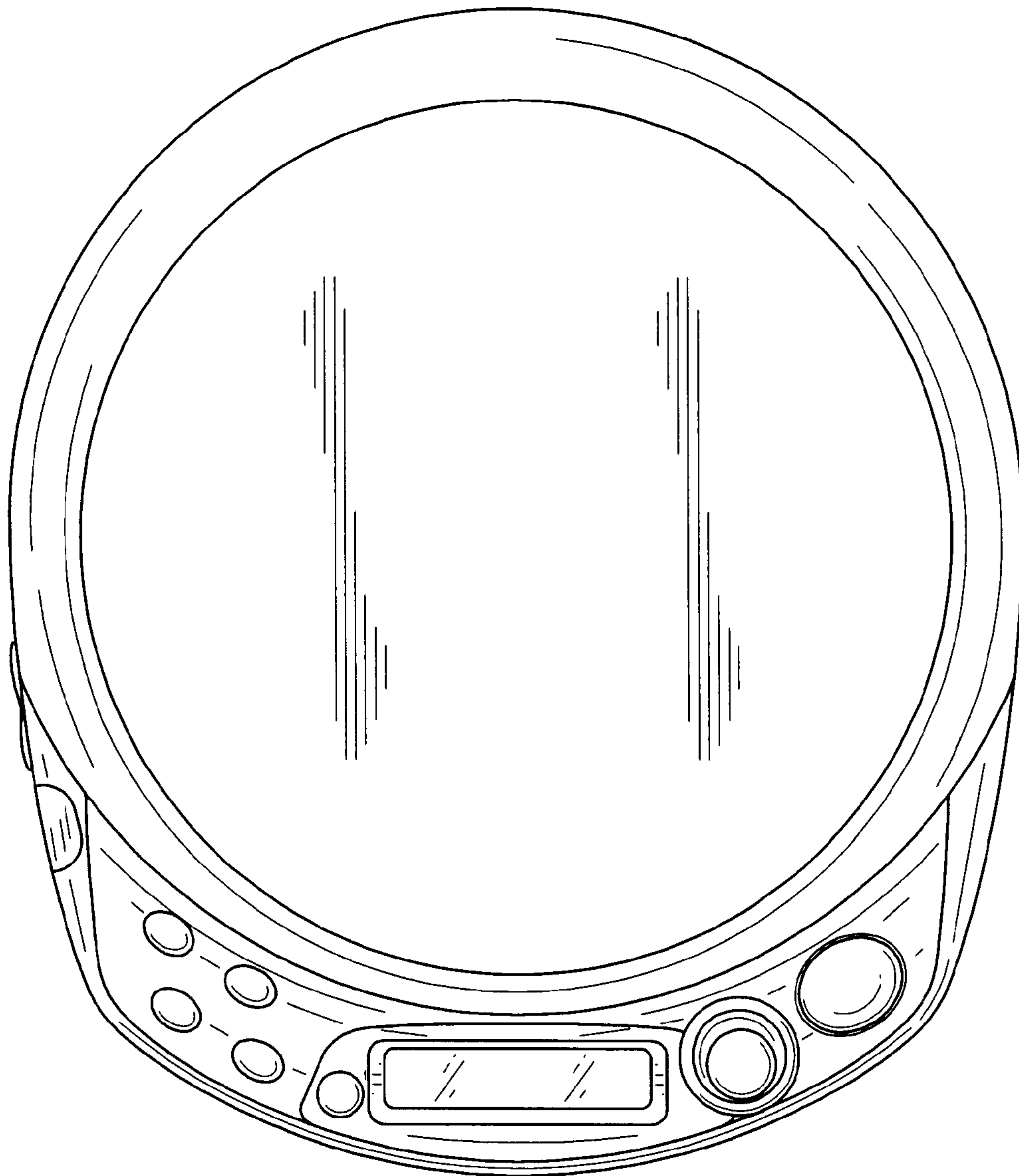


FIG. 3

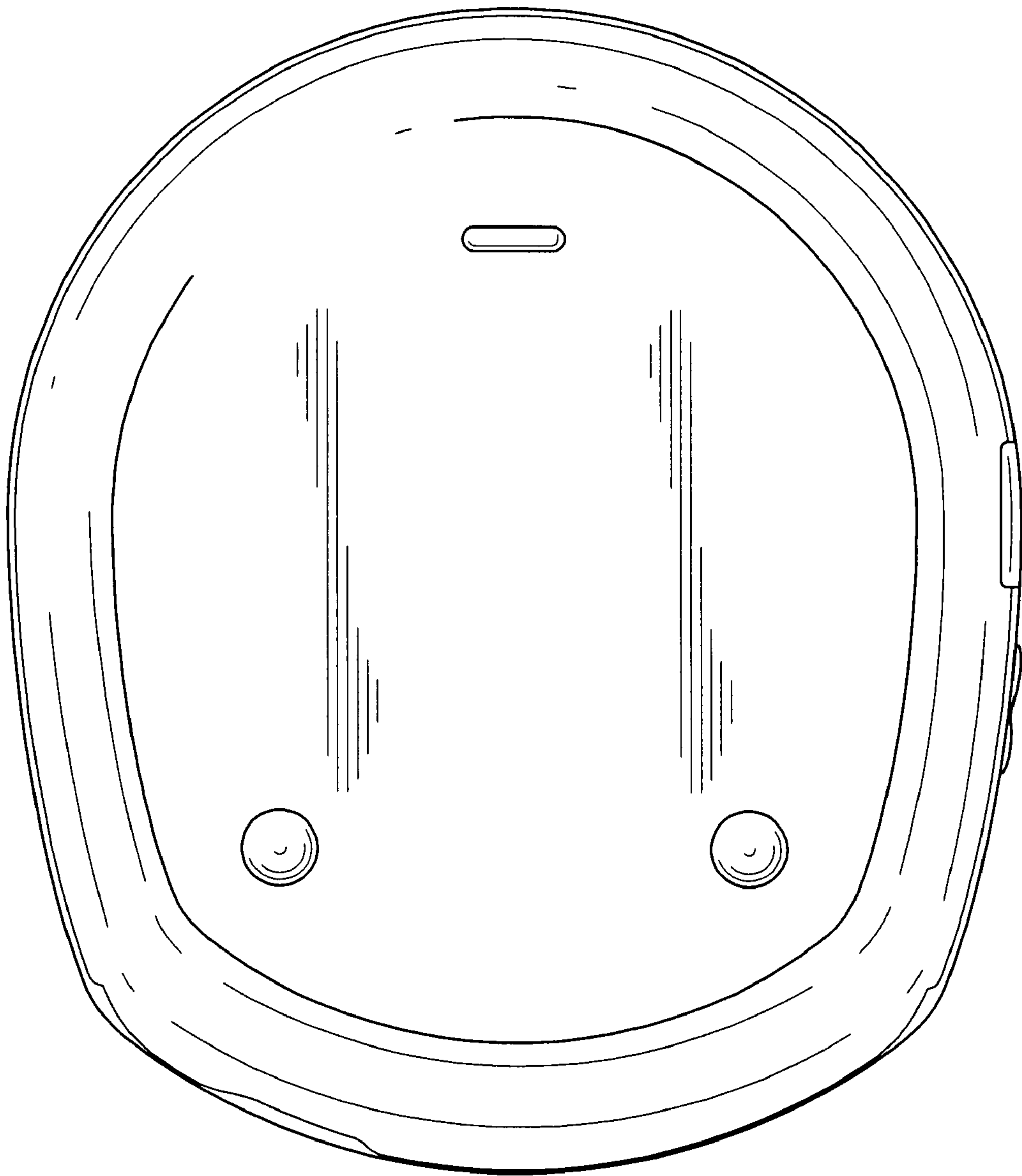


FIG. 4

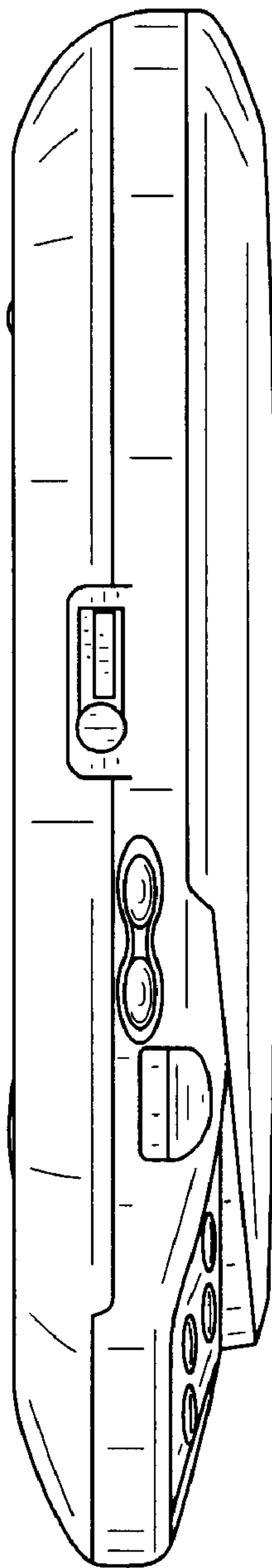


FIG. 5

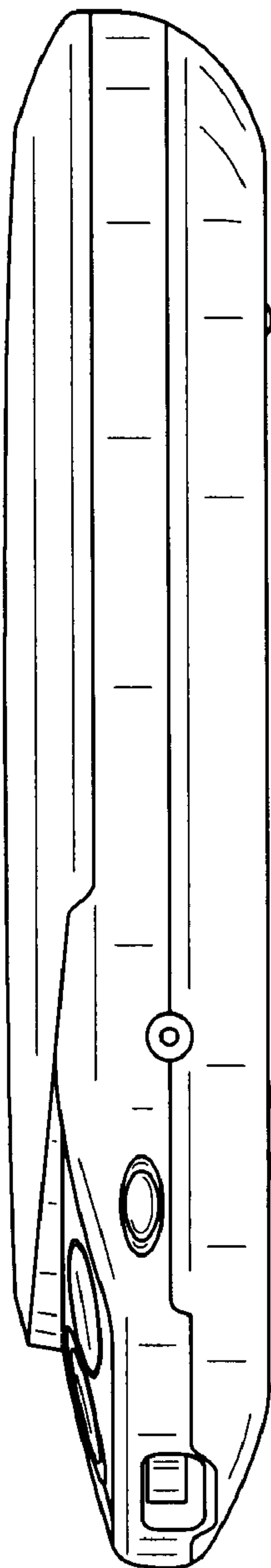




FIG. 6

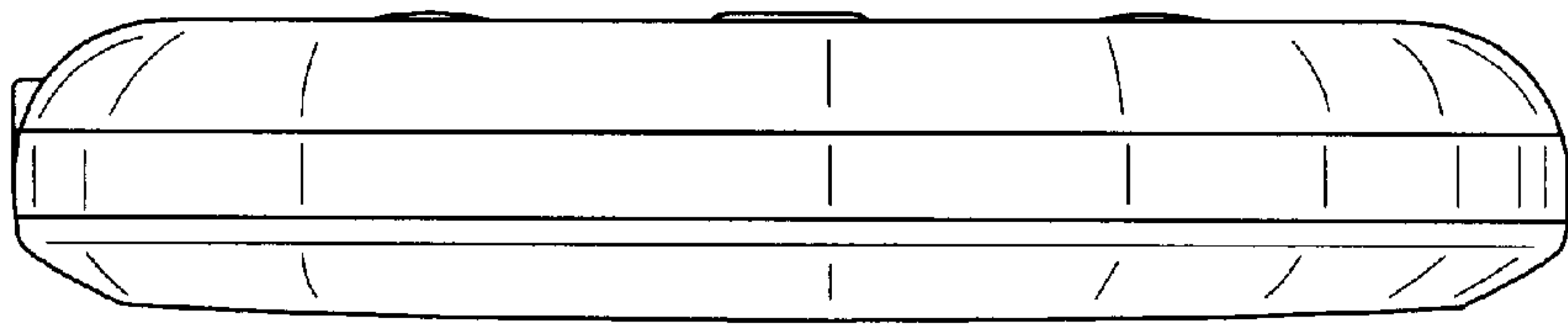


FIG. 7

