



US00D484863S

(12) **United States Design Patent**  
**Chan**

(10) **Patent No.:** **US D484,863 S**

(45) **Date of Patent:** **\*\* Jan. 6, 2004**

(54) **MOBILE PHONE**

(75) Inventor: **Mei-Ling Chan**, Banchiau (TW)

(73) Assignee: **BenQ Corporation**, Taoyuan (TW)

(\*\*) Term: **14 Years**

(21) Appl. No.: **29/172,174**

(22) Filed: **Dec. 6, 2002**

(30) **Foreign Application Priority Data**

Nov. 5, 2002 (TW) ..... 91306330

(51) **LOC (7) Cl.** ..... **14-03**

(52) **U.S. Cl.** ..... **D14/138**

(58) **Field of Search** ..... D14/137, 138,  
D14/218, 147-148, 247-248, 144, 341-347;  
379/433.01-433.13, 419, 434, 428.01-428.04,  
420.01-420.04, 440; 455/550.1-90.3; D21/517

(56) **References Cited**

**U.S. PATENT DOCUMENTS**

D443,865 S	*	6/2001	Kim	.....	D14/138
D445,412 S	*	7/2001	Lee et al.	.....	D14/138
D450,672 S	*	11/2001	Arbisi et al.	.....	D14/138
D455,134 S	*	4/2002	Kolinen	.....	D14/138
D458,240 S	*	6/2002	Suzuki et al.	.....	D14/138
D458,594 S	*	6/2002	Jang	.....	D14/138
D465,466 S	*	11/2002	Hyun	.....	D14/138
D468,282 S	*	1/2003	Chen	.....	D14/138
D468,283 S	*	1/2003	Hong et al.	.....	D14/138
D469,070 S	*	1/2003	Lee	.....	D14/138

D474,168 S	*	5/2003	Wang et al.	.....	D14/138
D475,034 S	*	5/2003	Arbisi et al.	.....	D14/138
D475,688 S	*	6/2003	Pierce et al.	.....	D14/138
D475,689 S	*	6/2003	Shimazu et al.	.....	D14/138
D476,968 S	*	7/2003	Yokoyama	.....	D14/138
D477,295 S	*	7/2003	Chung	.....	D14/138
D477,296 S	*	7/2003	Minamide	.....	D14/138
2002/0114448 A1	*	8/2002	Kim et al.	.....	379/433.13
2002/0146989 A1	*	10/2002	Moriki	.....	455/550.1
2003/0083021 A1	*	5/2003	Hsu et al.	.....	455/90.1
2003/0083023 A1	*	5/2003	Chang et al.	.....	455/90.1

**FOREIGN PATENT DOCUMENTS**

GB 2 343 324 A \* 5/2002

\* cited by examiner

*Primary Examiner*—Jeffrey Asch

(74) *Attorney, Agent, or Firm*—Ladas & Parry

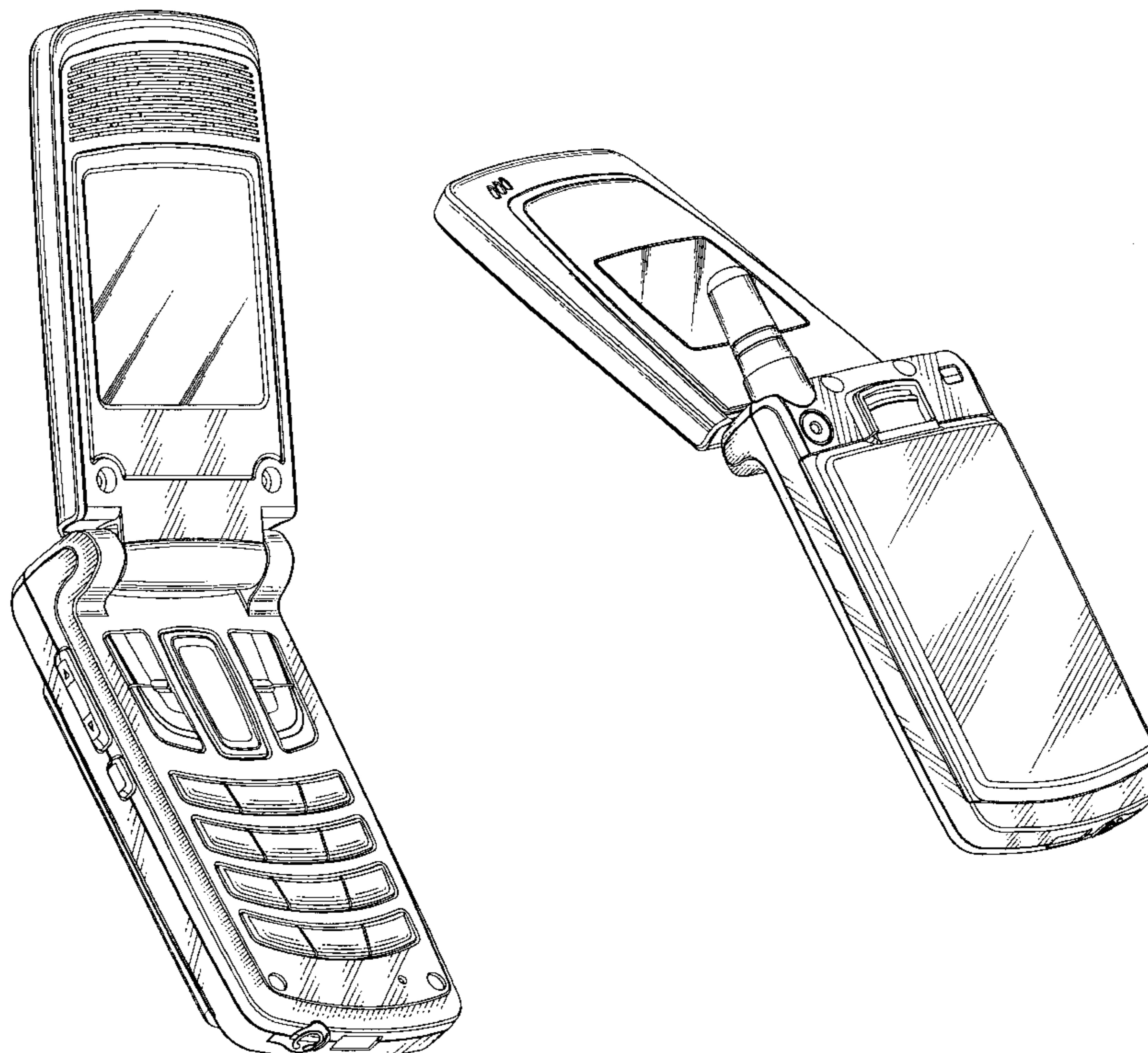
(57) **CLAIM**

The ornamental design for a mobile phone, as shown and described.

**DESCRIPTION**

FIG. 1 is a front perspective view thereof;  
FIG. 2 is a right side elevational view thereof;  
FIG. 3 is a top plane view thereof;  
FIG. 4 is a front elevational view thereof;  
FIG. 5 is a bottom plane view thereof;  
FIG. 6 is a left side elevational view thereof;  
FIG. 7 is a rear elevational view thereof; and,  
FIG. 8 is a rear perspective view.

**1 Claim, 8 Drawing Sheets**



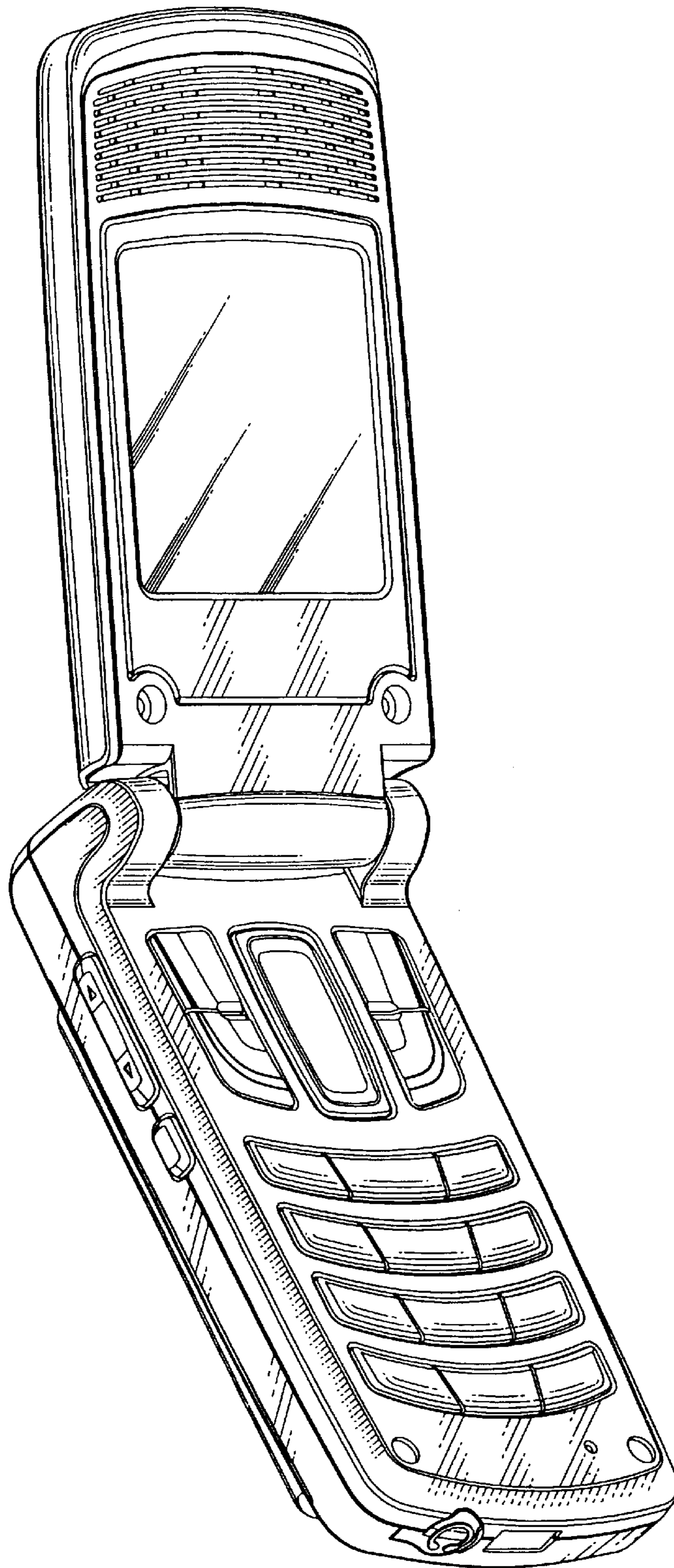


FIG. 1

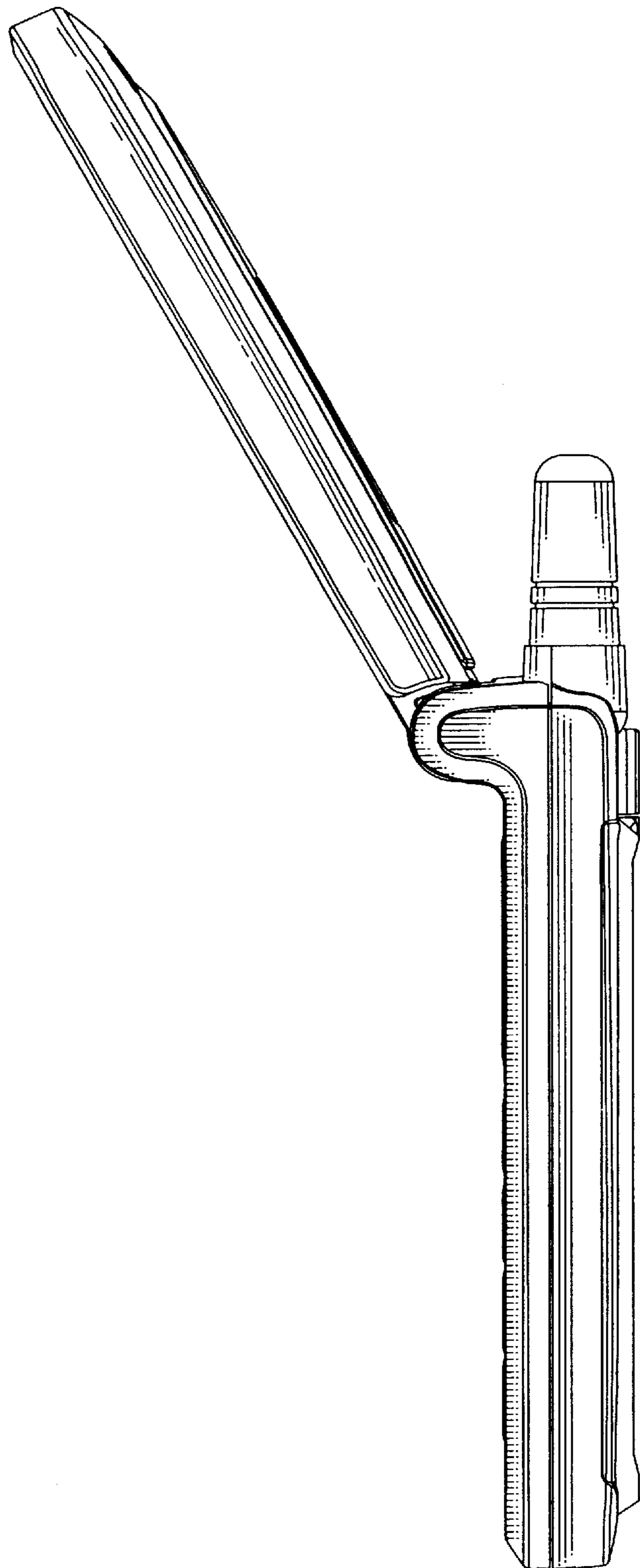


FIG. 2



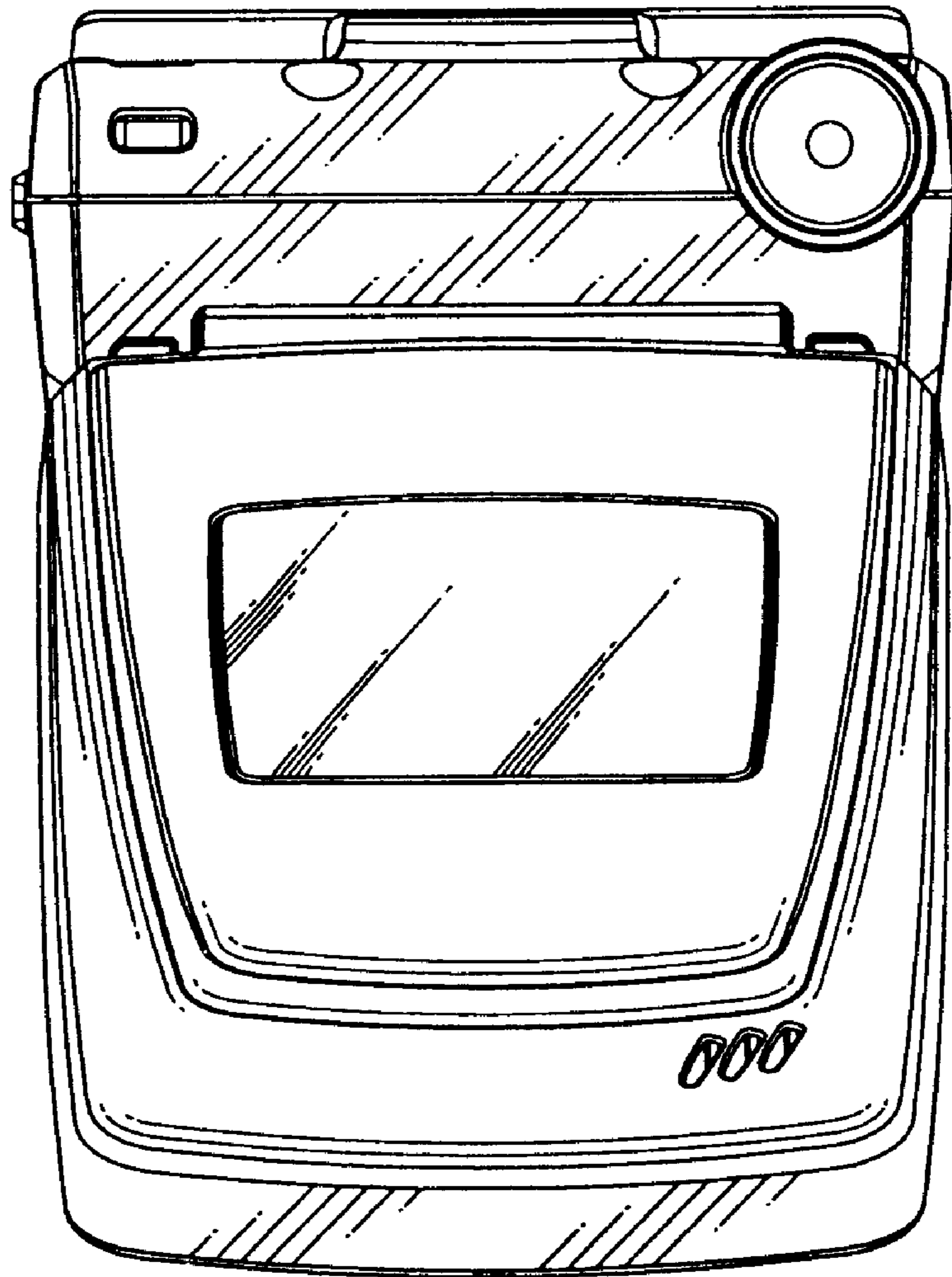


FIG. 3

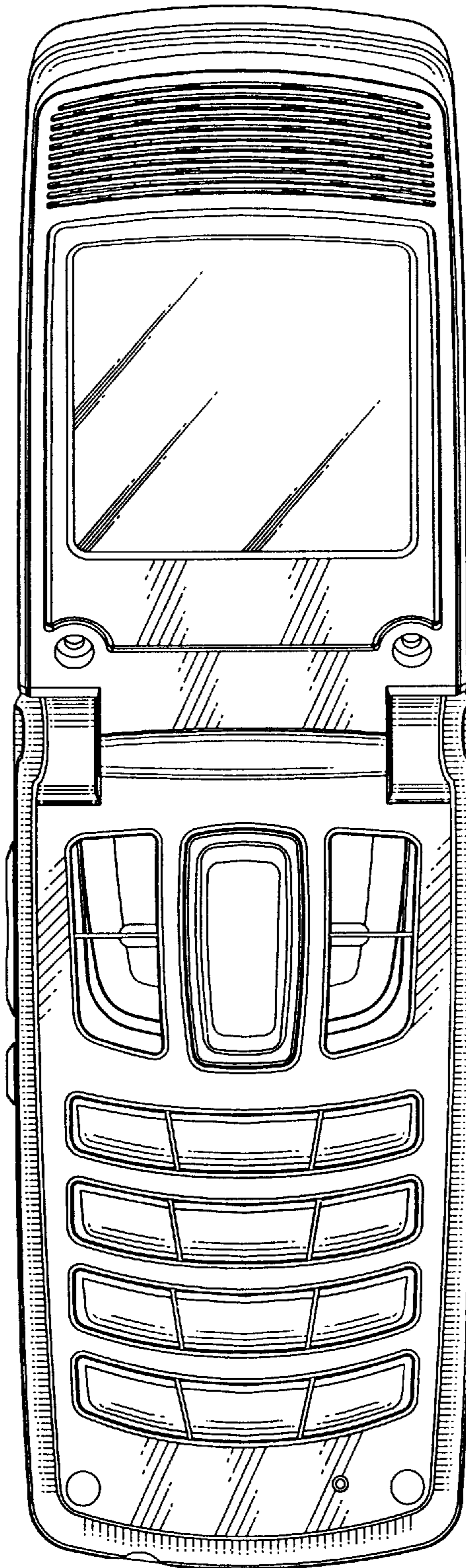


FIG. 4

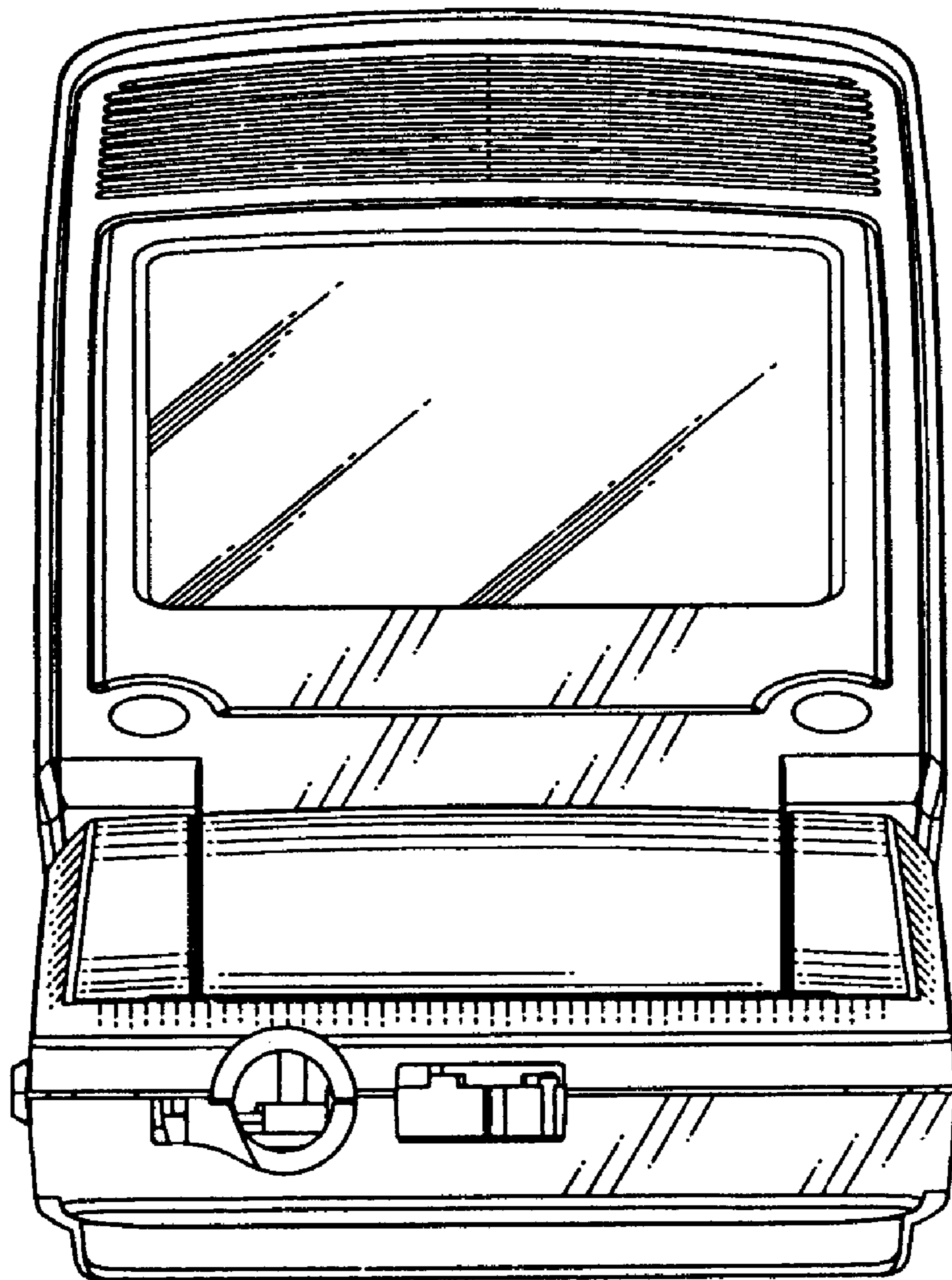


FIG. 5

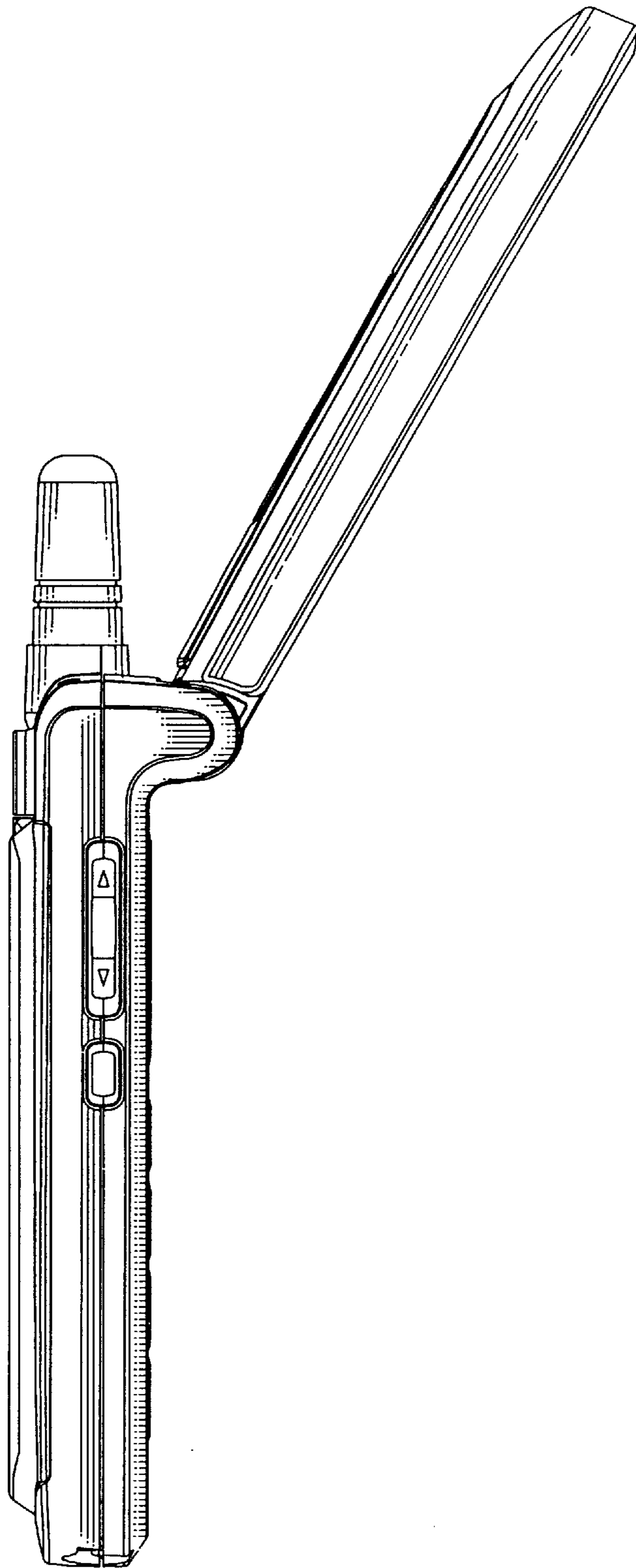


FIG. 6

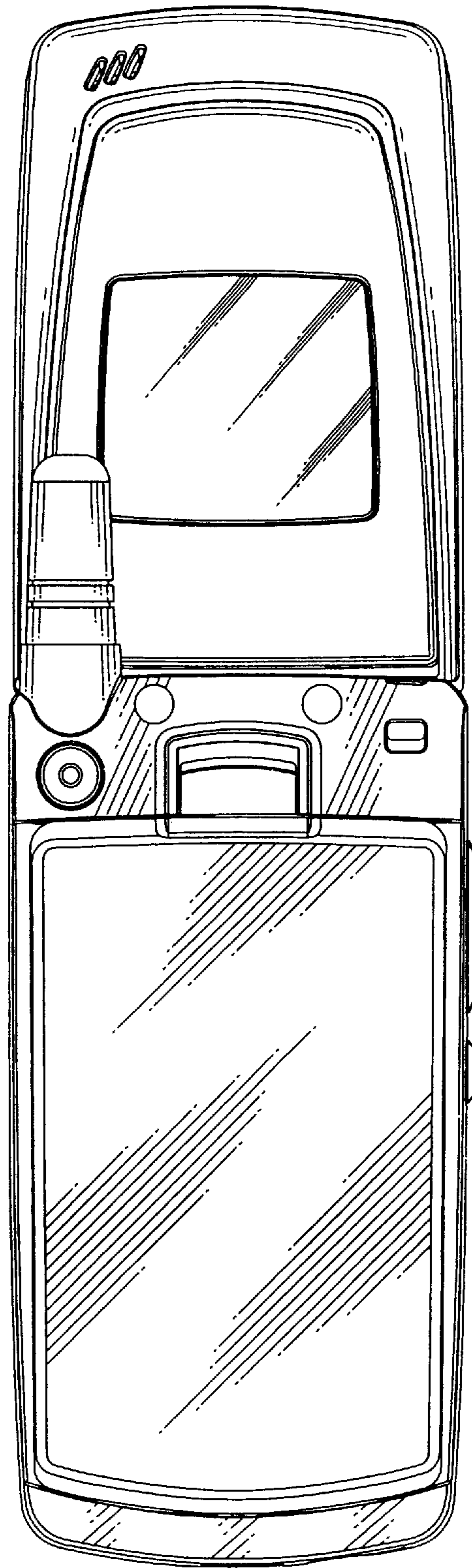


FIG. 7



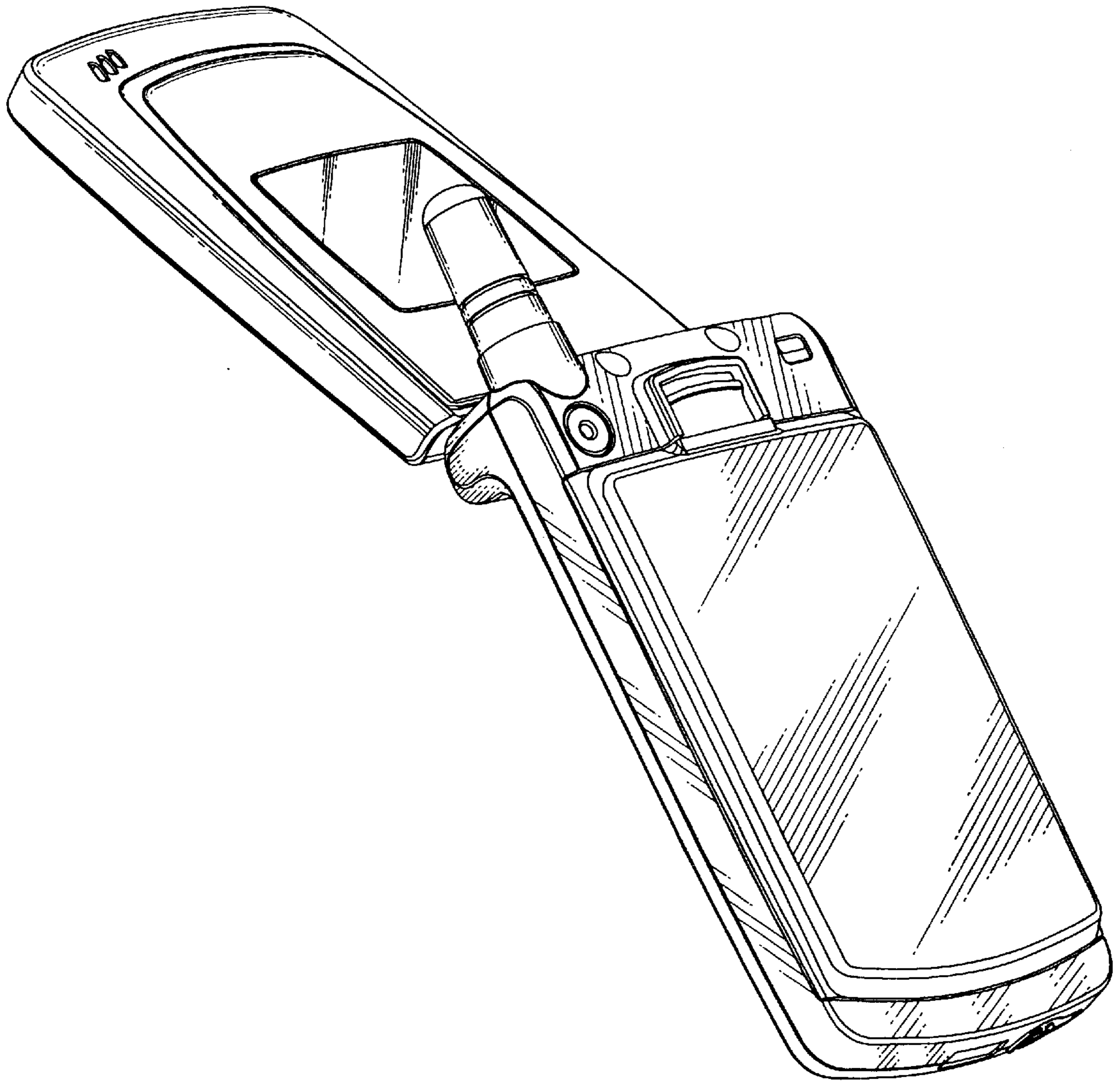


FIG. 8