



US00D484860S

(12) **United States Design Patent**
Kubota

(10) **Patent No.:** **US D484,860 S**

(45) **Date of Patent:** **** Jan. 6, 2004**

(54) **MONITOR TELEVISION RECEIVER**

(75) Inventor: **Yuki Kubota**, Tokyo (JP)

(73) Assignee: **Sony Corporation**, Tokyo (JP)

(**) Term: **14 Years**

(21) Appl. No.: **29/178,883**

(22) Filed: **Apr. 2, 2003**

(51) **LOC (7) Cl.** **14-03**

(52) **U.S. Cl.** **D14/126; D14/239**

(58) **Field of Search** **D14/125-136,**
D14/239, 371, 374, 375, 376; 312/7.2;
248/917-924; 345/104, 156, 173, 168;
348/180, 184; 349/1, 2, 11, 62

(56) **References Cited**

U.S. PATENT DOCUMENTS

D354,282 S	*	1/1995	Koo et al.	D14/126
D416,549 S	*	11/1999	Coster et al.	D14/375
D453,022 S		1/2002	Oba		
D454,845 S		3/2002	Niitsu		
D460,745 S		7/2002	Kanatani		
D469,432 S	*	1/2003	Tsuji	D14/375
D472,552 S	*	4/2003	Borsboom et al.	D14/375

OTHER PUBLICATIONS

Web page “SDM-S51-WQ2 [15],” <http://www8.yodobashi.com/enjoy/i.jsp?oid>, 1 sheet, Yodobashi Camera (Dec. 2002).

Web page “LLT1620H [16],” <http://www8.yodobashi.com/enjoy/i.jsp?oid>, 1 sheet, Yodobashi Camera (Dec. 2002).

Web page “L355-A [15],” <http://www8.yodobashi.com/enjoy/i.jsp?oid>, 1 sheet, Yodobashi Camera (Dec. 2002).

* cited by examiner

Primary Examiner—Raphael Barkai

(74) *Attorney, Agent, or Firm*—Rader, Fishman & Grauer PLLC

(57) **CLAIM**

The ornamental design for a monitor television receiver, as shown.

DESCRIPTION

FIG. 1 is a top right rear perspective view of a monitor television receiver showing my new design;

FIG. 2 is a front elevational view thereof;

FIG. 3 is a rear elevational view thereof;

FIG. 4 is a left side elevational view thereof;

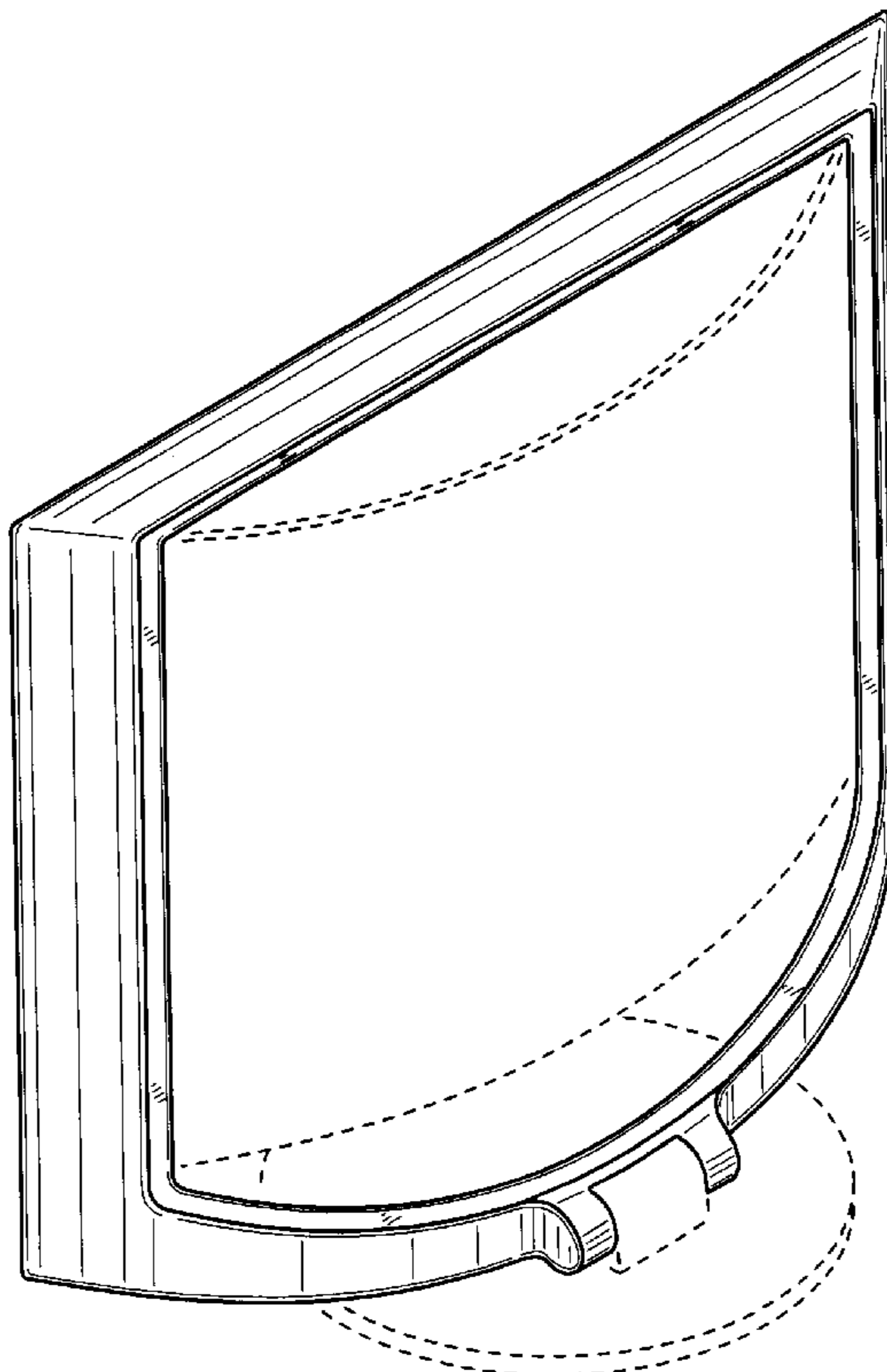
FIG. 5 is a right side elevational view thereof;

FIG. 6 is a top plan view thereof; and,

FIG. 7 is a bottom plan view thereof.

Portions in broken lines are for illustrative purposes only and form no part of the claimed design.

1 Claim, 4 Drawing Sheets



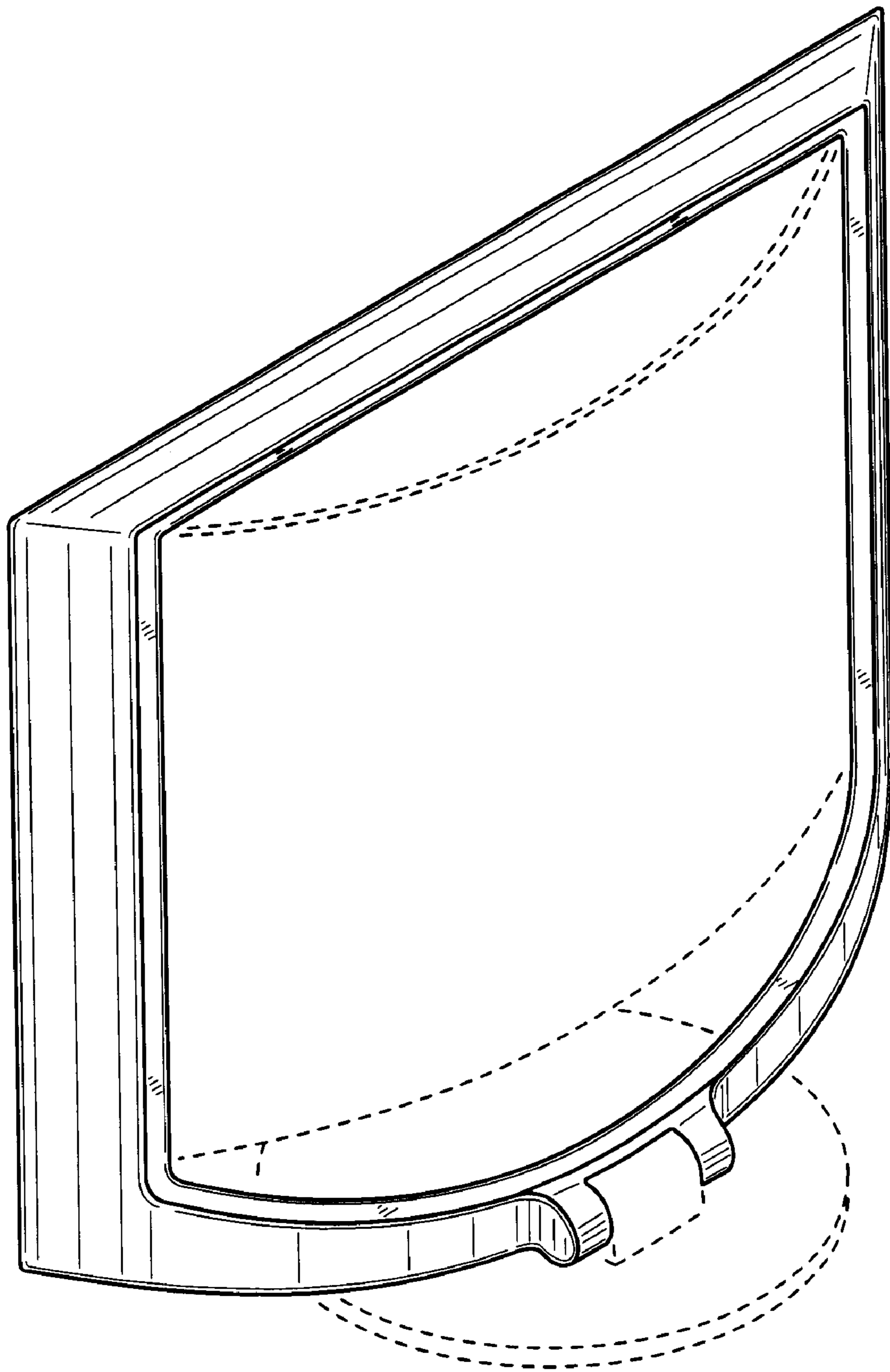


FIG. 1

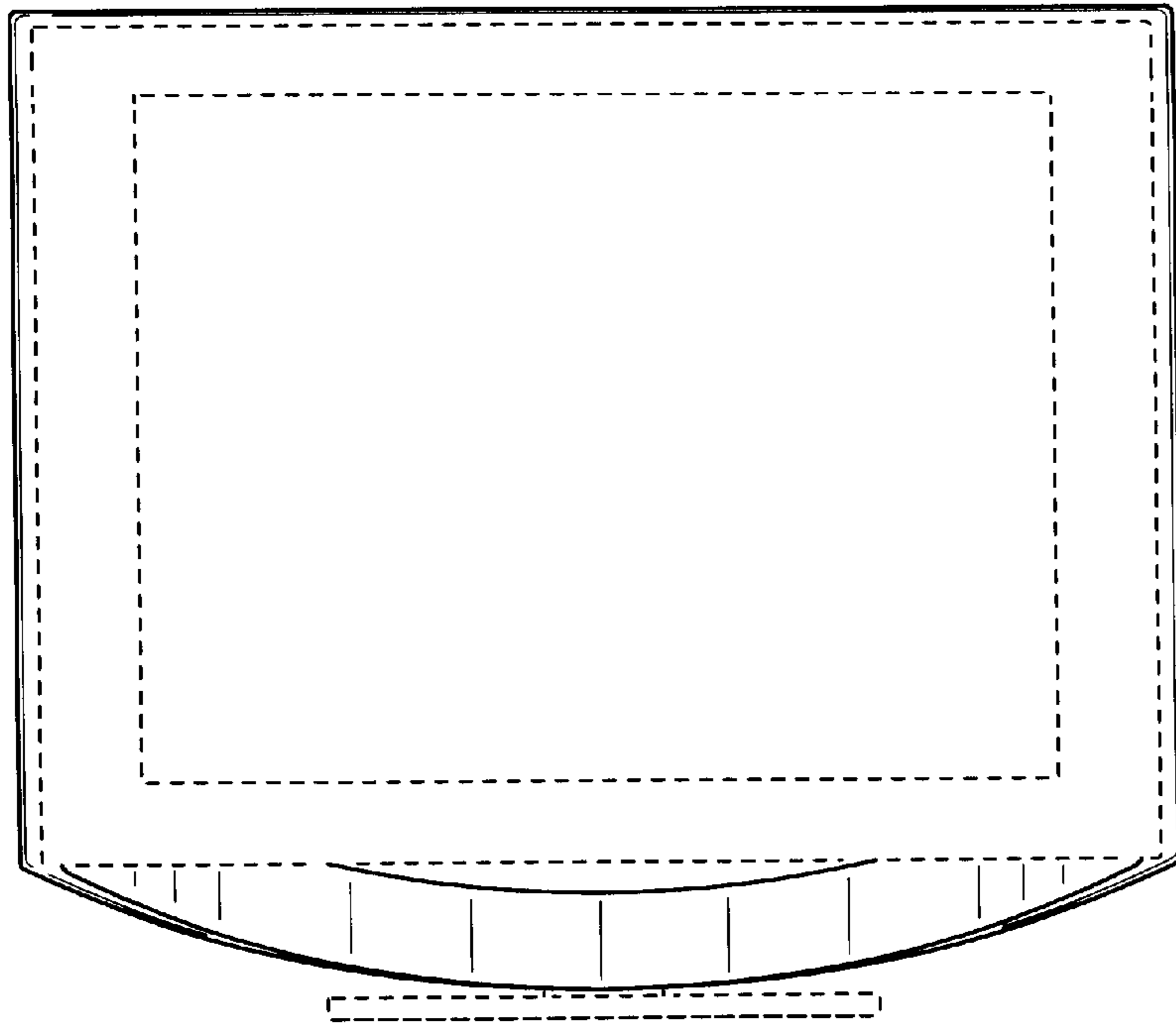


FIG. 2

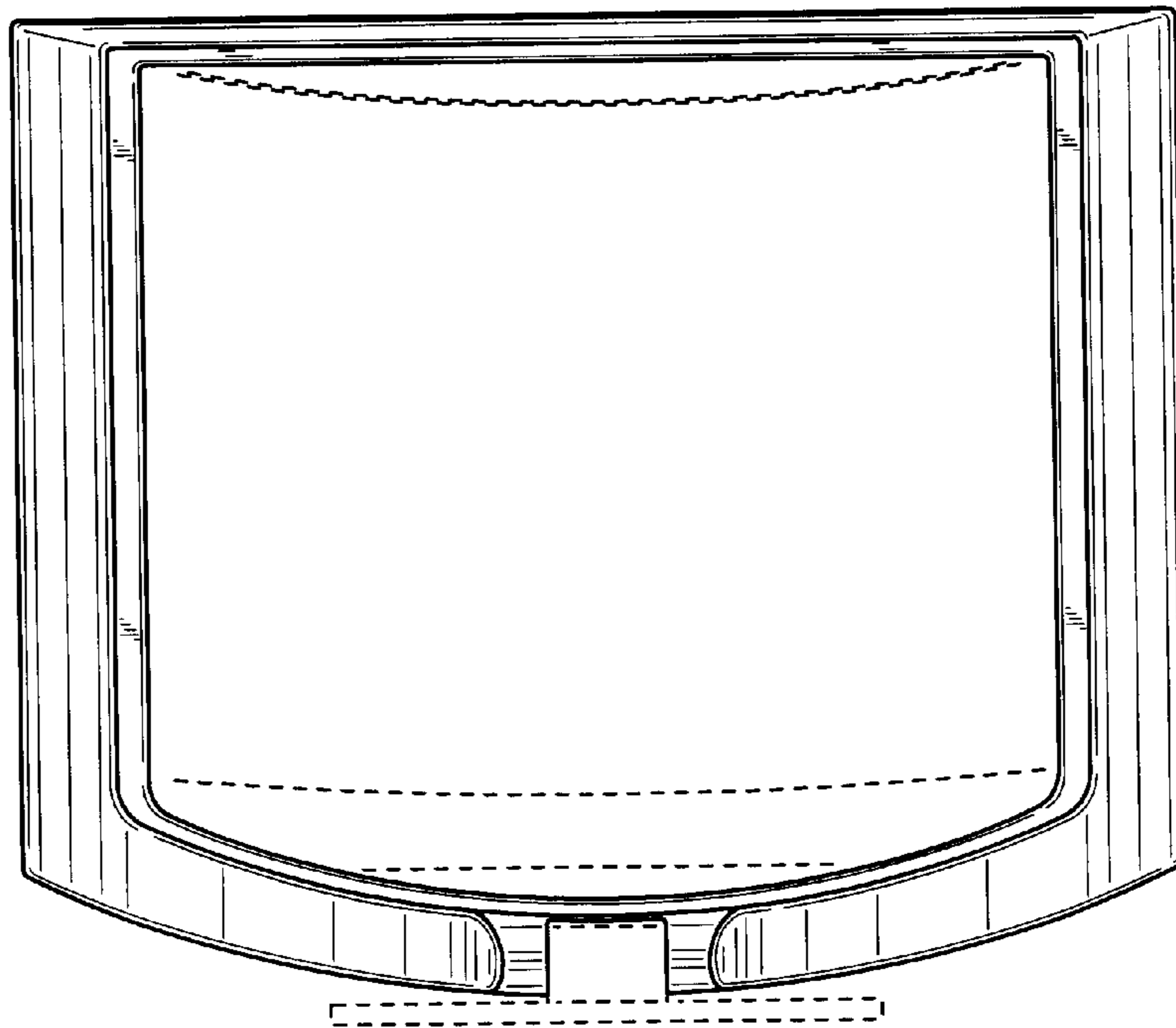


FIG. 3

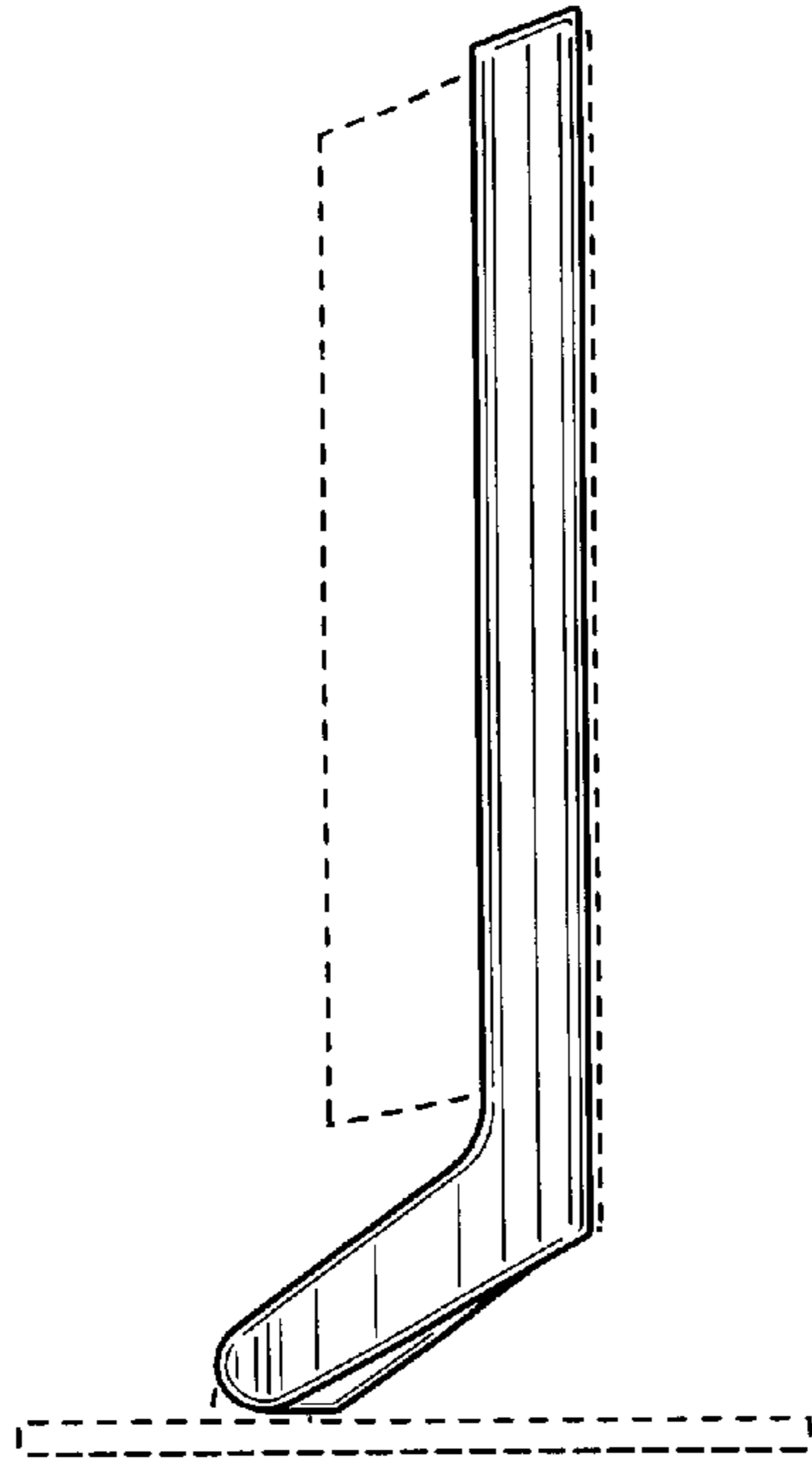


FIG. 4

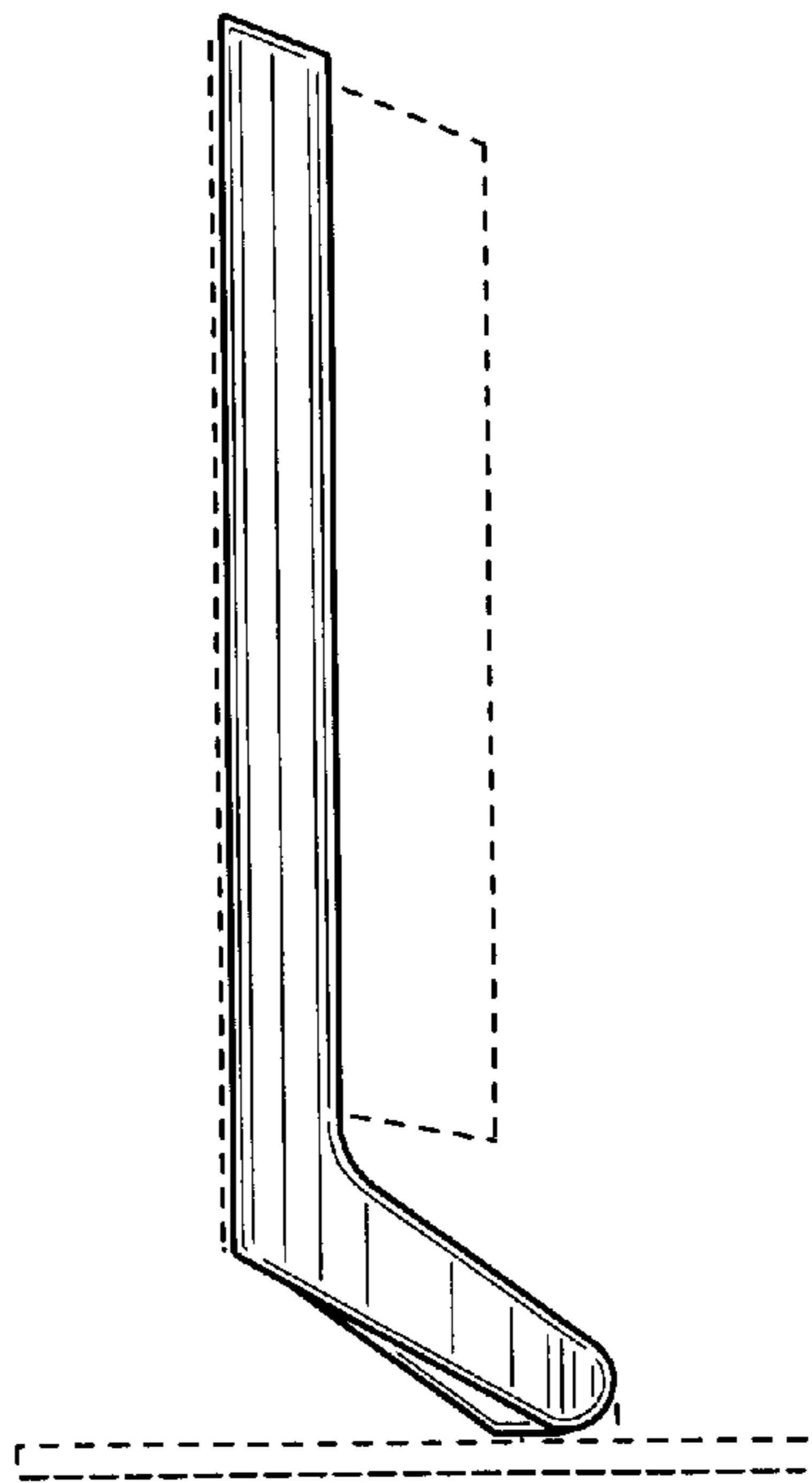


FIG. 5

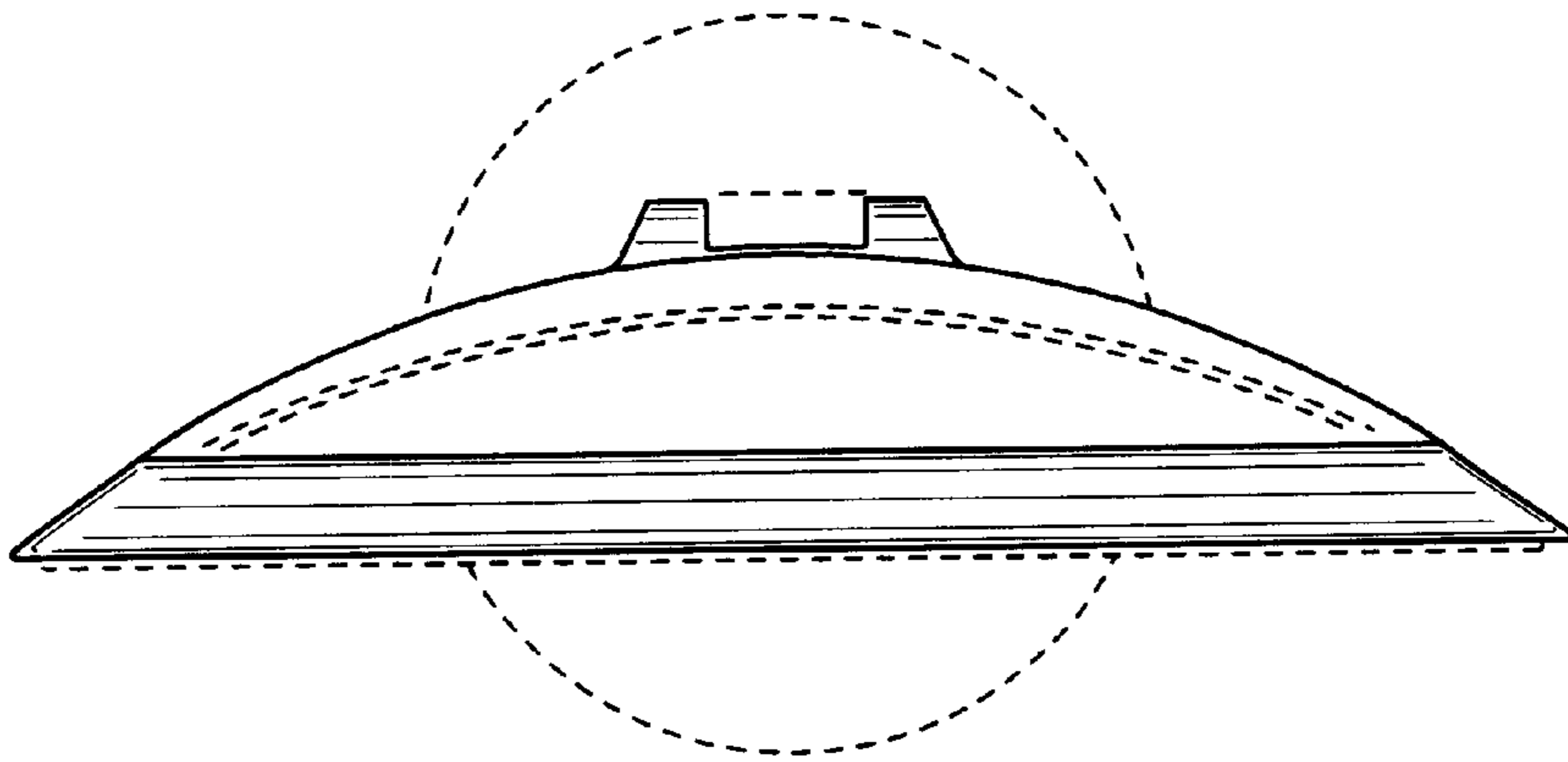


FIG. 6

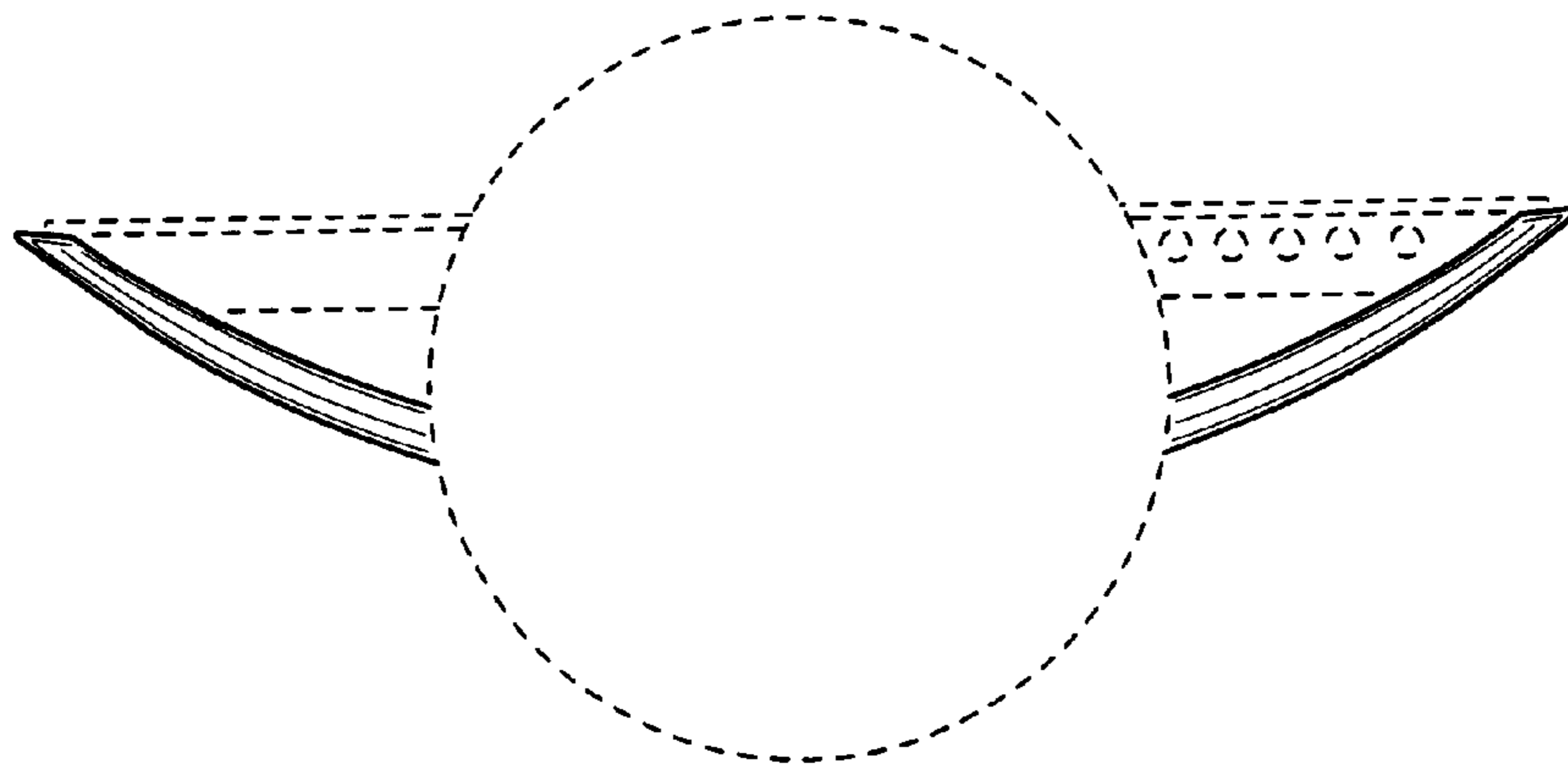


FIG. 7