



US00D484857S

(12) **United States Design Patent**
Hsu

(10) **Patent No.:** **US D484,857 S**

(45) **Date of Patent:** **** Jan. 6, 2004**

(54) **EXPANSION CARD HOLDER**

(75) Inventor: **Yuan-Lin Hsu, Tu-Chen (TW)**

(73) Assignee: **Hon Hai Precision Ind. Co., Ltd.,
Taipei Hsien (TW)**

(**) Term: **14 Years**

(21) Appl. No.: **29/169,004**

(22) Filed: **Oct. 10, 2002**

(30) **Foreign Application Priority Data**

Aug. 23, 2002 (CN) 02 3 60617

(51) **LOC (7) Cl.** **13-03**

(52) **U.S. Cl.** **D13/182**

(58) **Field of Search** D13/179, 182,
D13/199; 29/602.1; 174/17 VA, 262; 200/306;
220/260; 335/78, 80, 132, 151, 199, 202,
122; 340/426.11, 653, 639, 642; 361/626,
633, 752, 788, 791, 802, 805, 819; 439/61,
65, 362, 564, 709, 710, 715, 876

(56) **References Cited**

U.S. PATENT DOCUMENTS

4,982,847 A * 1/1991 Glover et al. 211/41.17

5,191,513 A * 3/1993 Sugiura et al. 361/752
5,259,769 A * 11/1993 Cruise et al. 439/65
5,457,608 A * 10/1995 Scholder et al. 361/752
6,077,130 A * 6/2000 Hughes et al. 439/862
6,406,305 B1 * 6/2002 Wu 439/65
6,533,590 B1 * 3/2003 Lee et al. 439/83
6,579,125 B1 * 6/2003 Nagahata et al. 439/629

* cited by examiner

Primary Examiner—Philip S. Hyder

Assistant Examiner—Selina Sikder

(74) *Attorney, Agent, or Firm*—Wei Te Chung

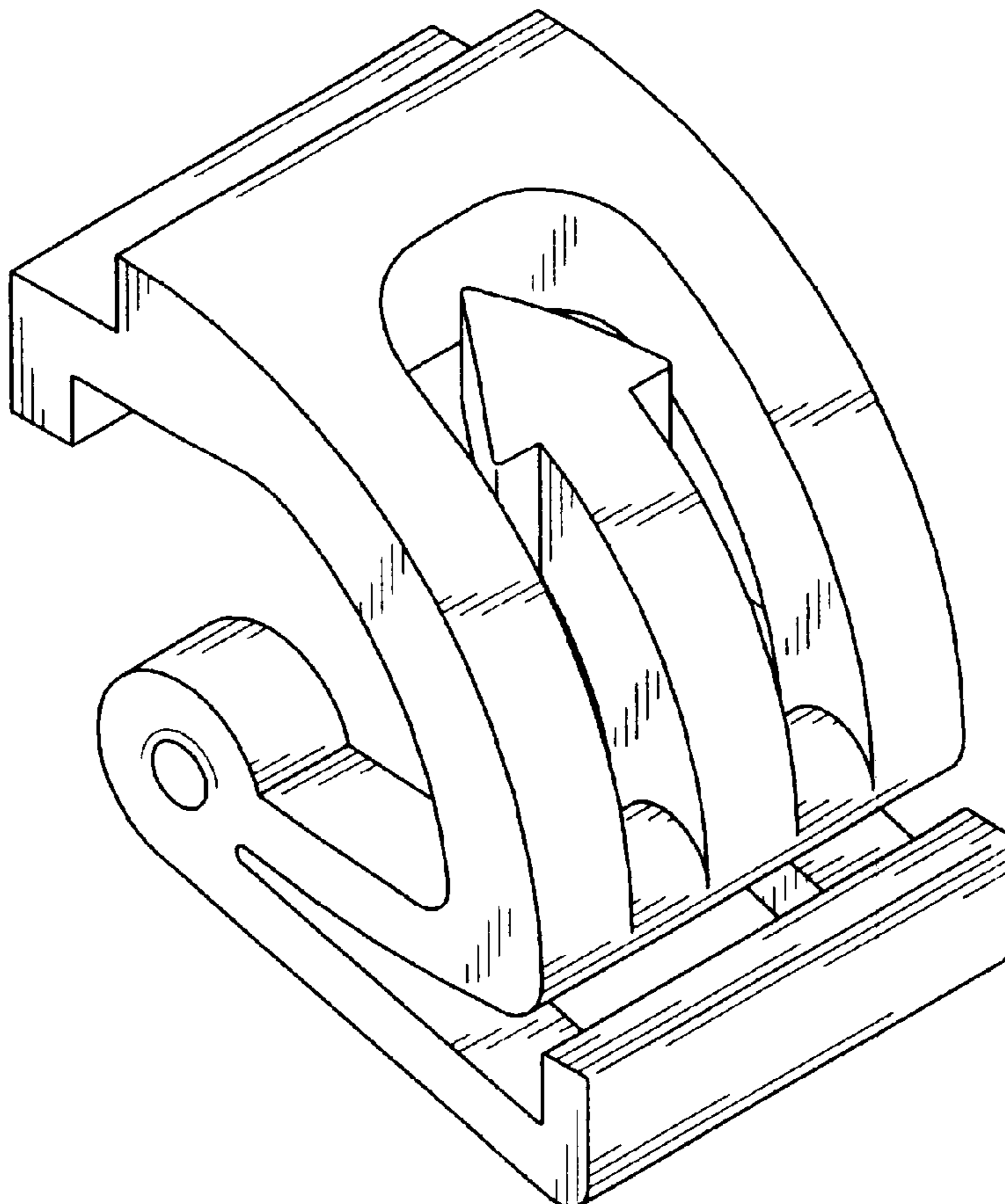
(57) **CLAIM**

The ornamental design for an expansion card holder, as shown.

DESCRIPTION

FIG. 1 is an isometric view of an expansion card holder of the present design;
FIG. 2 is a front elevational view thereof;
FIG. 3 is a rear elevational view thereof;
FIG. 4 is a left side elevational view thereof;
FIG. 5 is a right side elevational view thereof;
FIG. 6 is a top plan view thereof; and,
FIG. 7 is a bottom plan view thereof.

1 Claim, 4 Drawing Sheets



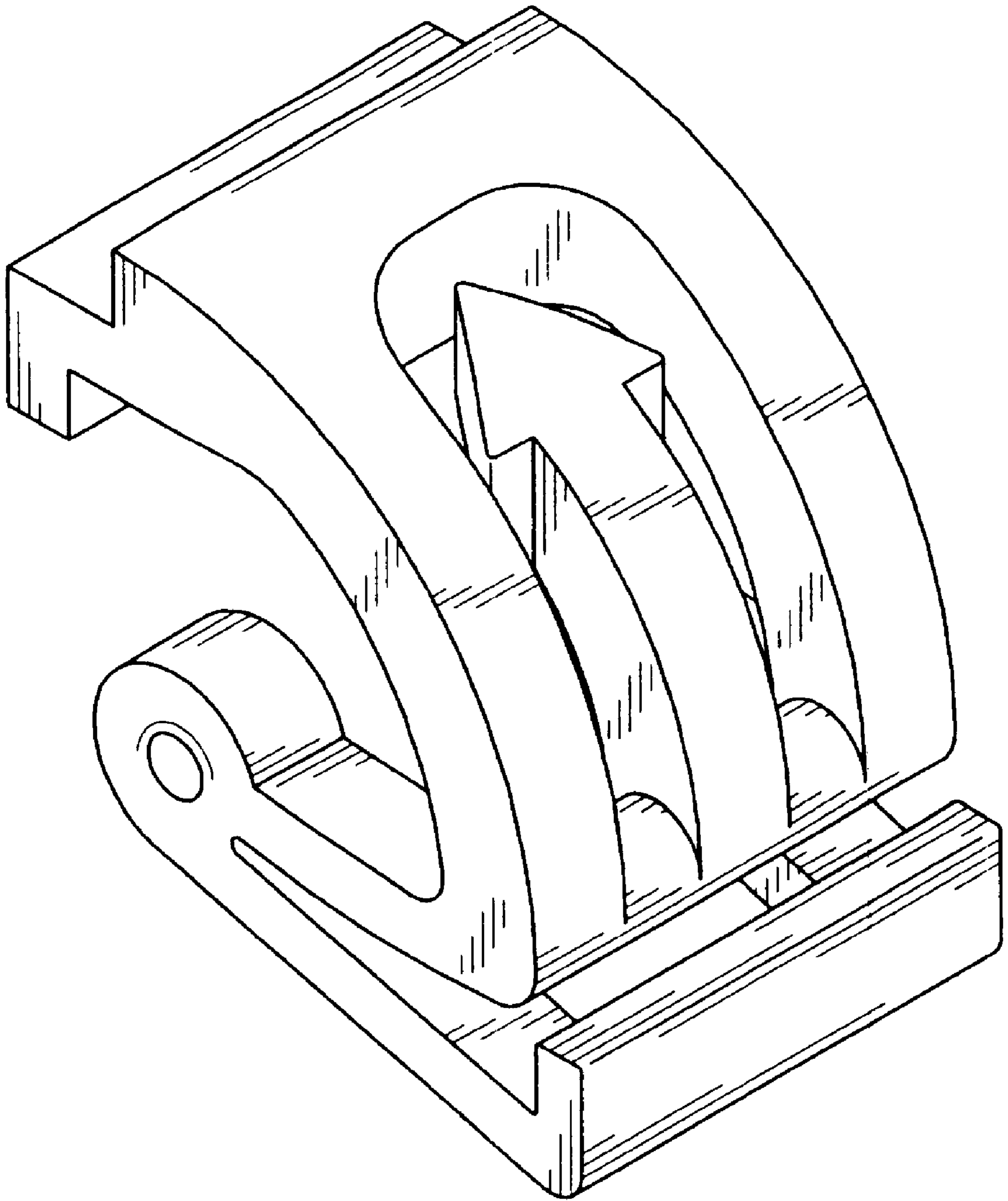


FIG. 1

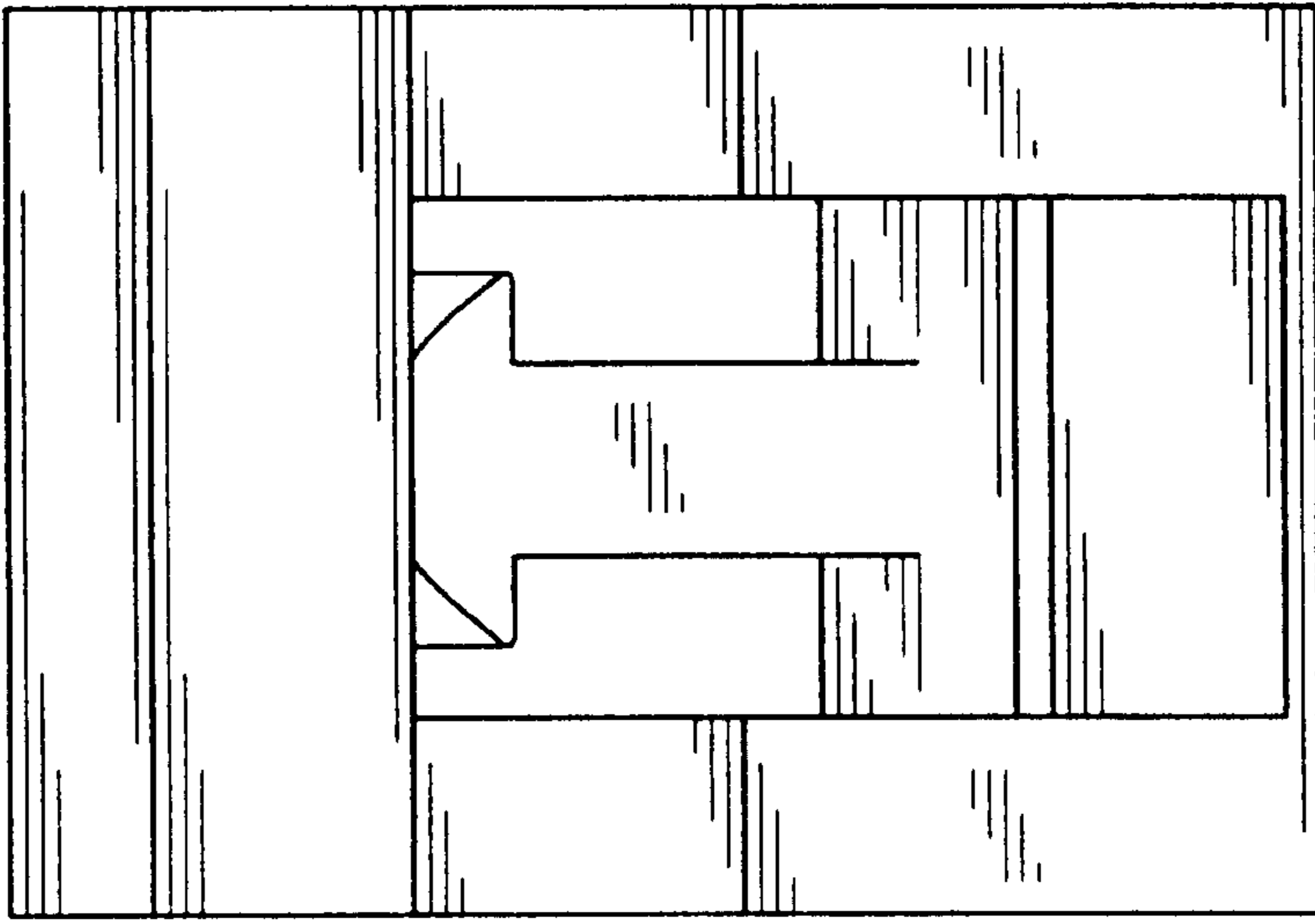


FIG. 3

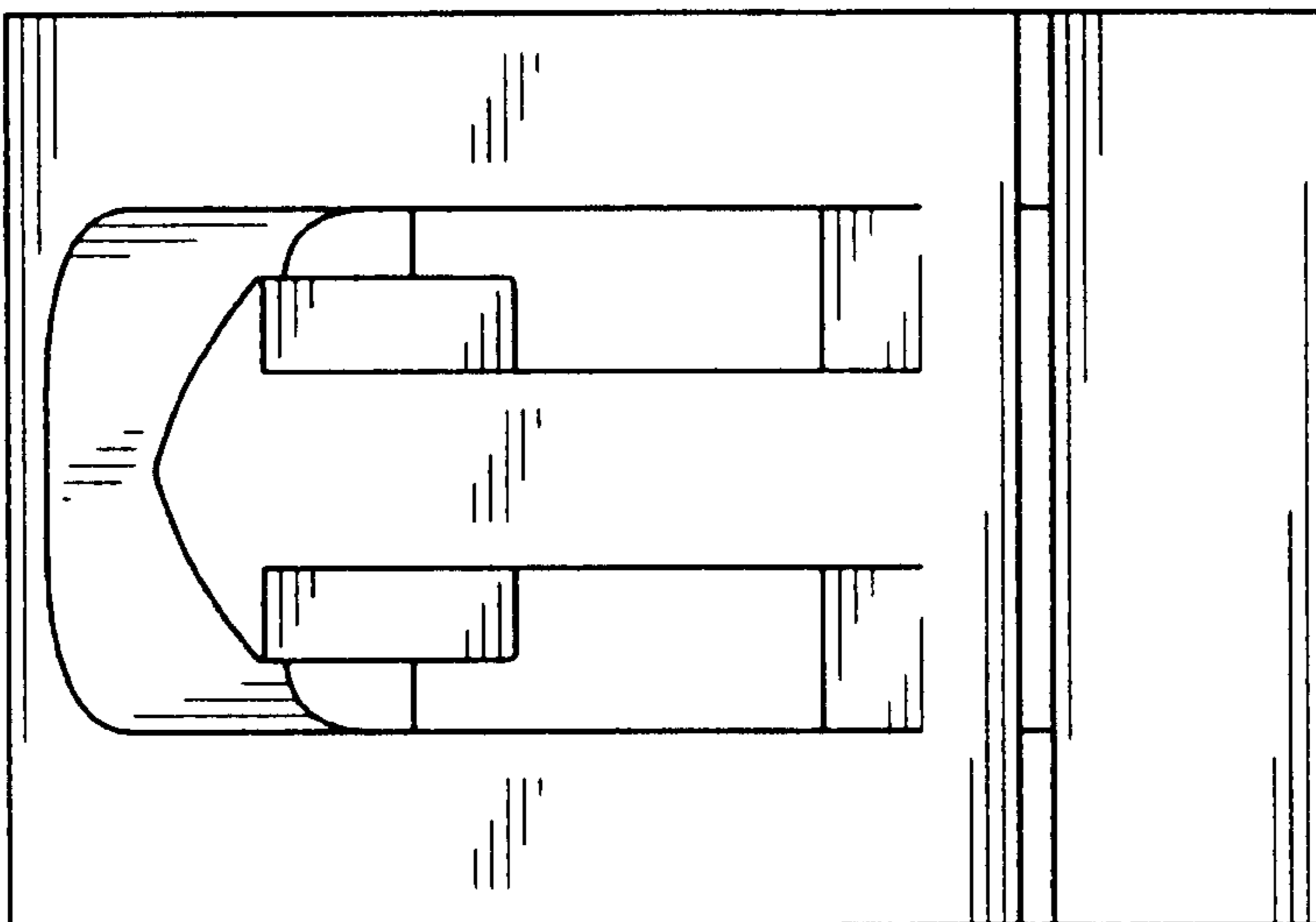


FIG. 2

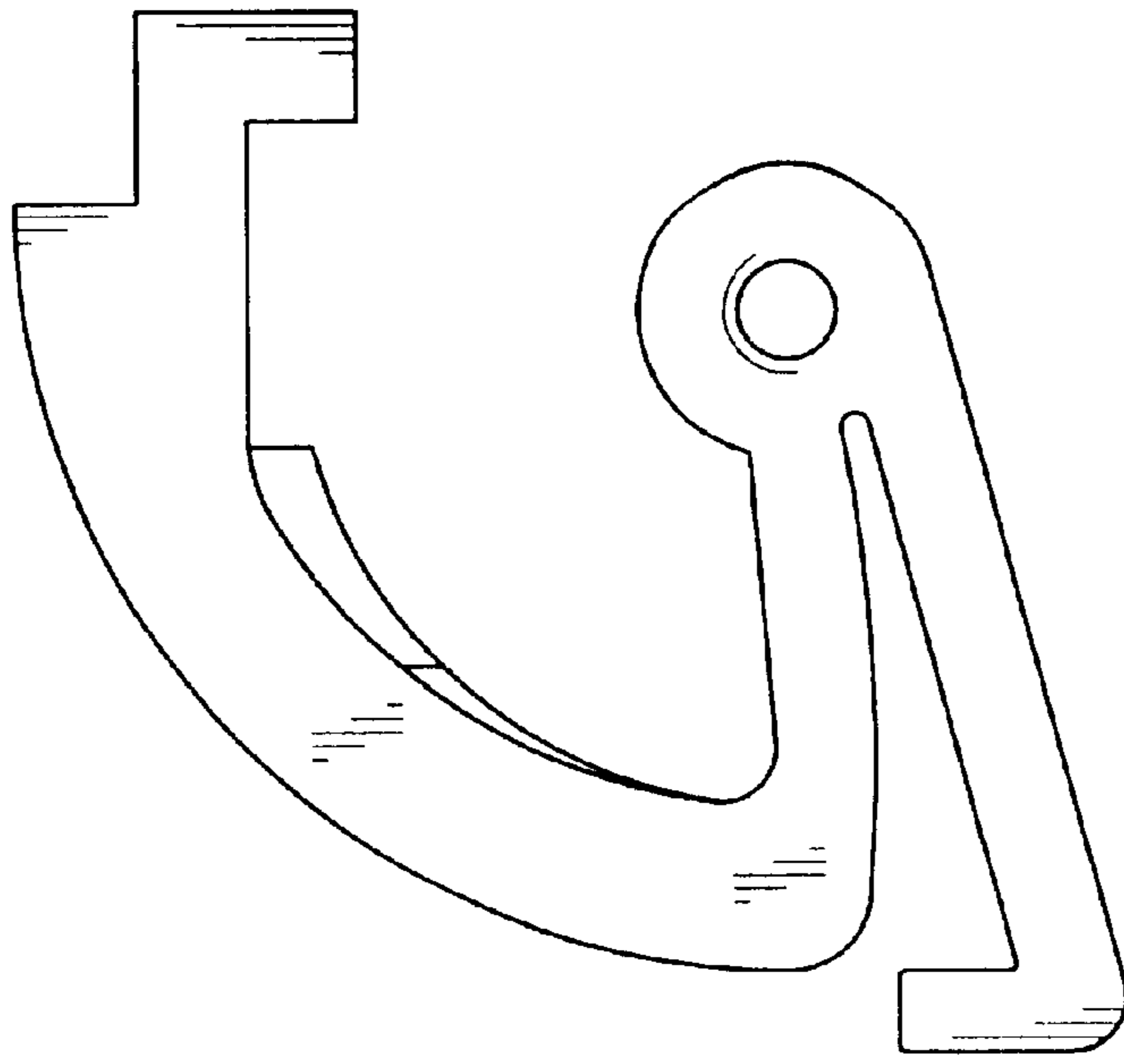


FIG. 5

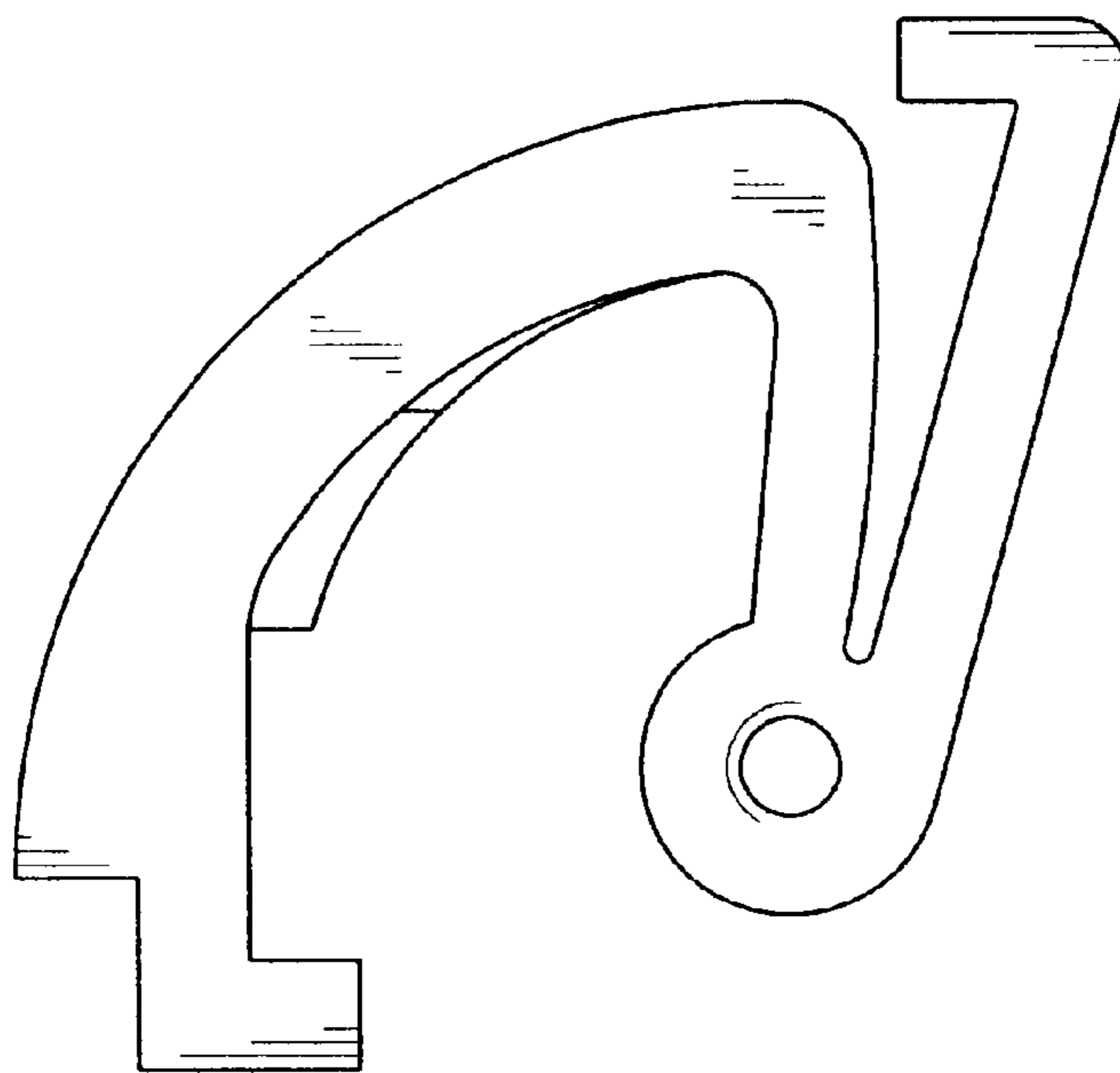


FIG. 4

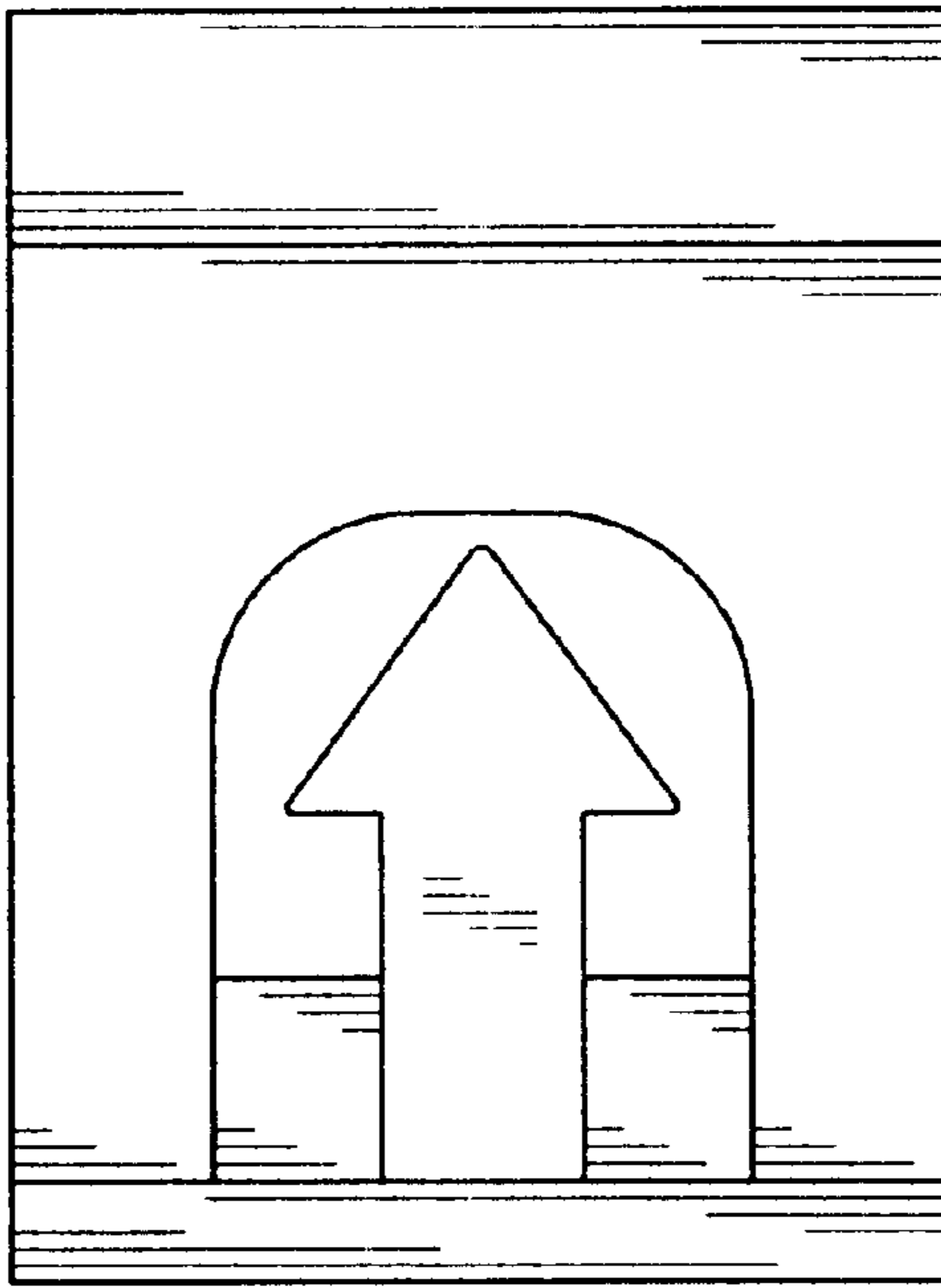


FIG. 6

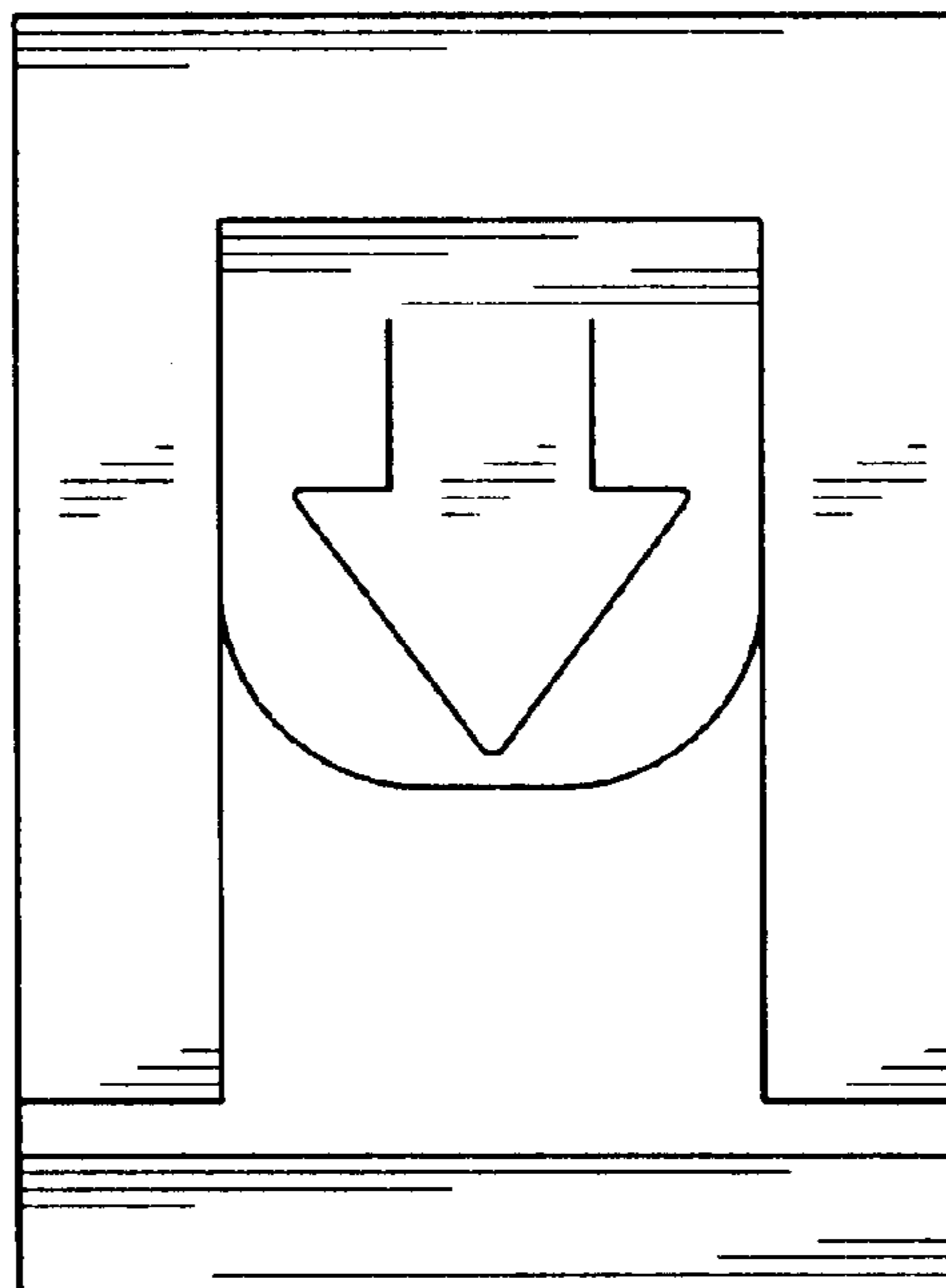


FIG. 7