



US00D484854S

(12) **United States Design Patent**
Lee

(10) **Patent No.:** **US D484,854 S**

(45) **Date of Patent:** **** Jan. 6, 2004**

(54) **RADIATOR FOR A HEAT GENERATING COMPONENTS IN ELECTRONIC EQUIPMENT**

(75) Inventor: **Sang-cheol Lee, Kunpo-si (KR)**

(73) Assignee: **Zalman Tech Co., Ltd. (KR)**

(**) Term: **14 Years**

(21) Appl. No.: **29/177,540**

(22) Filed: **Mar. 11, 2003**

(51) **LOC (7) Cl.** **13-03**

(52) **U.S. Cl.** **D13/179**

(58) **Field of Search** D13/179; 174/15.1, 174/16.3; 165/80.3, 80.4, 121, 122, 125, 131, 140, 146, 148, 185; 257/670, 675, 676, 706, 707, 712, 718, 719, 720, 721, 722; 361/695, 697, 699, 702, 704, 514

(56) **References Cited**

U.S. PATENT DOCUMENTS

4,724,901	A *	2/1988	Munekawa	165/104.21
5,555,931	A *	9/1996	Lee et al.	165/122
5,647,430	A *	7/1997	Tajima	165/104.33
6,360,814	B1 *	3/2002	Tanaka et al.	165/104.33
6,390,183	B2 *	5/2002	Aoyagi et al.	165/146
6,591,898	B1 *	7/2003	Chu et al.	165/80.4

* cited by examiner

Primary Examiner—Philip S. Hyder

Assistant Examiner—Selina Sikder

(74) *Attorney, Agent, or Firm*—St. Onge Steward Johnston & Reens LLC

(57) **CLAIM**

I claim the ornamental design for a radiator for a heat generating components in electronic equipment, as shown and described.

DESCRIPTION

FIG. 1 is a perspective view of a radiator for a heat generating components in electronic equipment according to the present invention.

FIG. 2 is a front view of the radiator according to the present invention.

FIG. 3 is a rear view of the radiator according to the present invention.

FIG. 4 is a left side view of the radiator according to the present invention.

FIG. 5 is a right side view of the radiator according to the present invention.

FIG. 6 is a top plan view of the radiator according to the present invention.

FIG. 7 is a bottom plan view of the radiator according to the present invention; and,

FIG. 8 is a perspective view illustrating use of the radiator according to the present invention.

The broken lines in the FIG. 8 drawing view indicate environmental elements for illustrative purposes only and form no part of the claimed design.

1 Claim, 6 Drawing Sheets

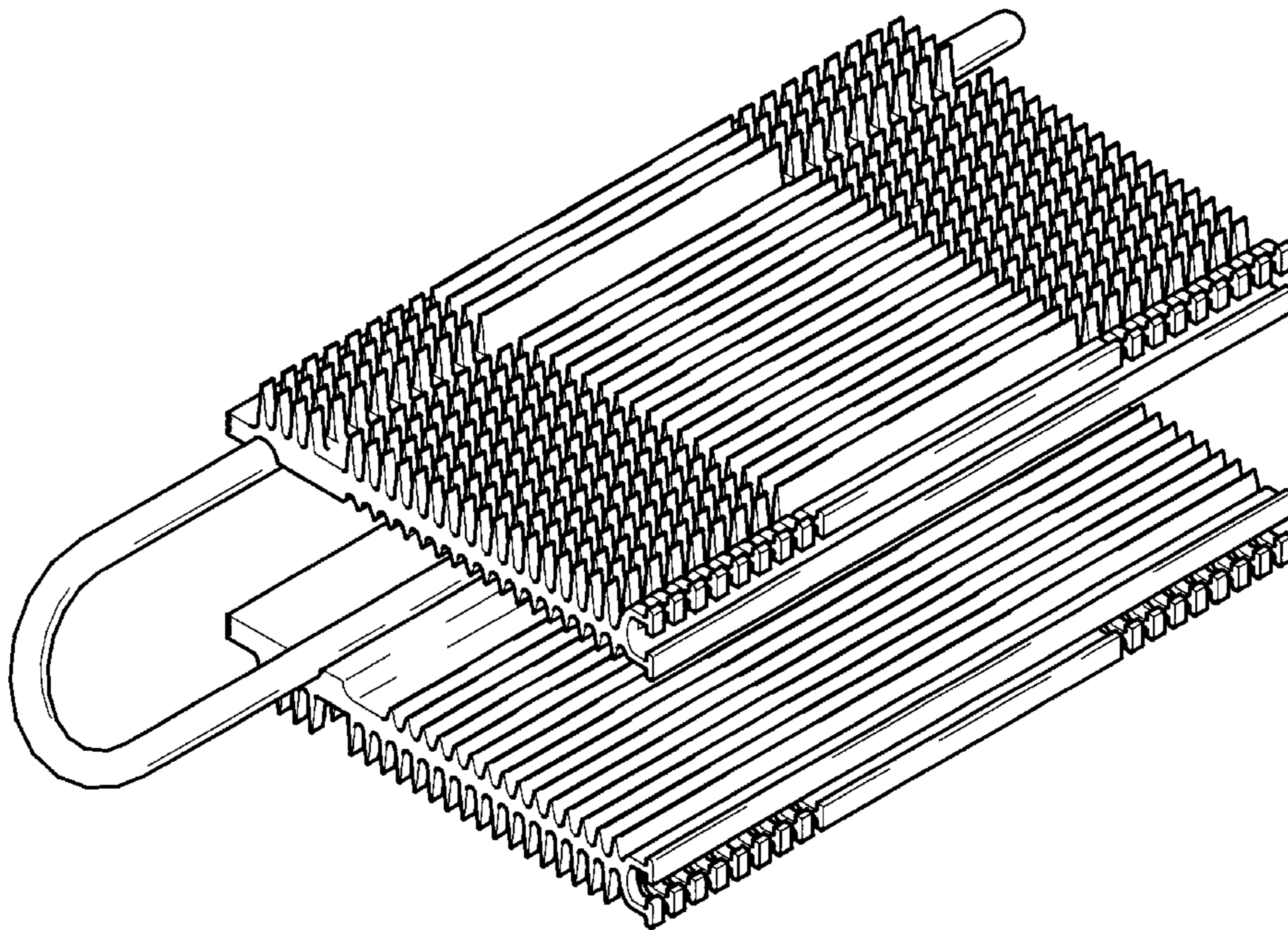


FIG. 1

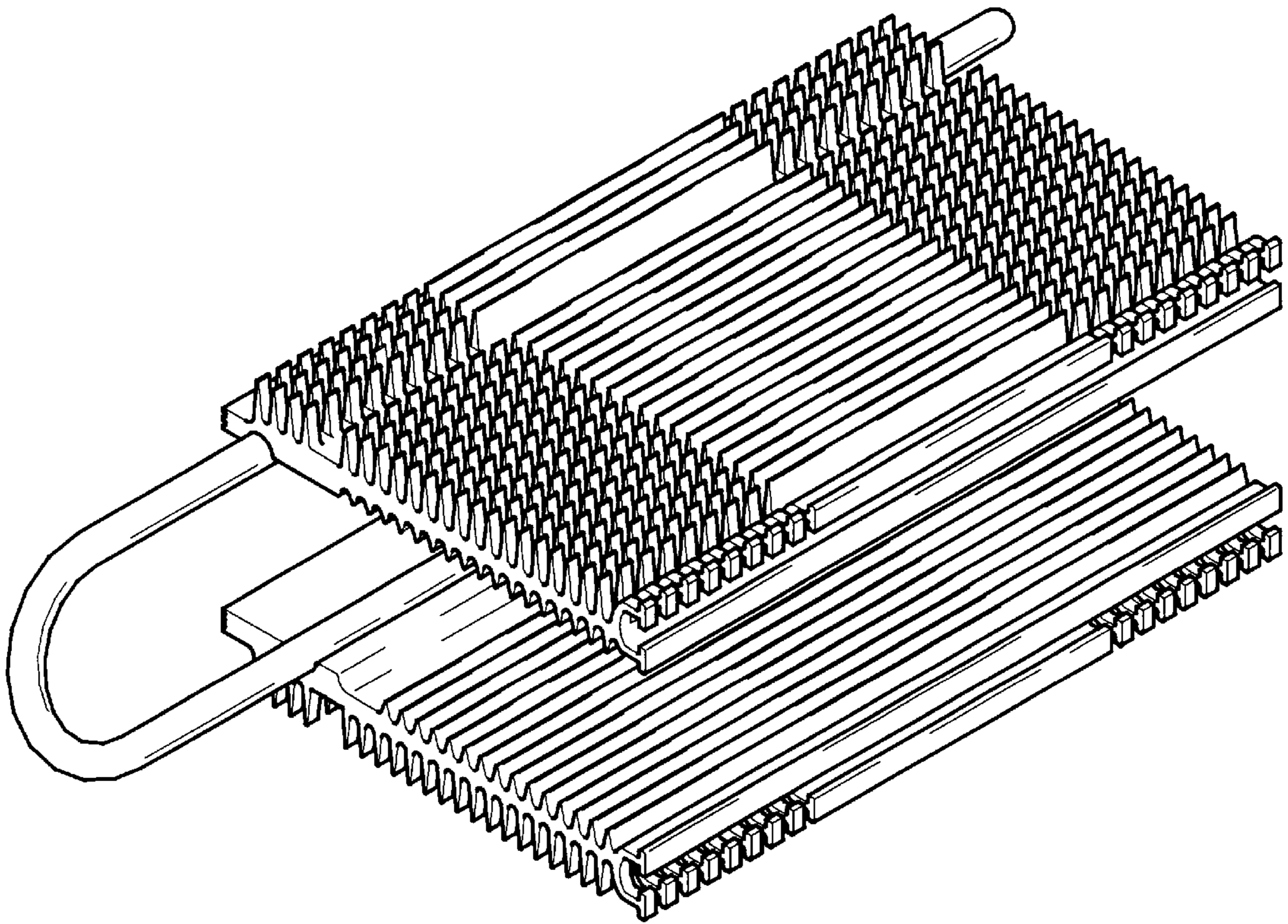


FIG. 2

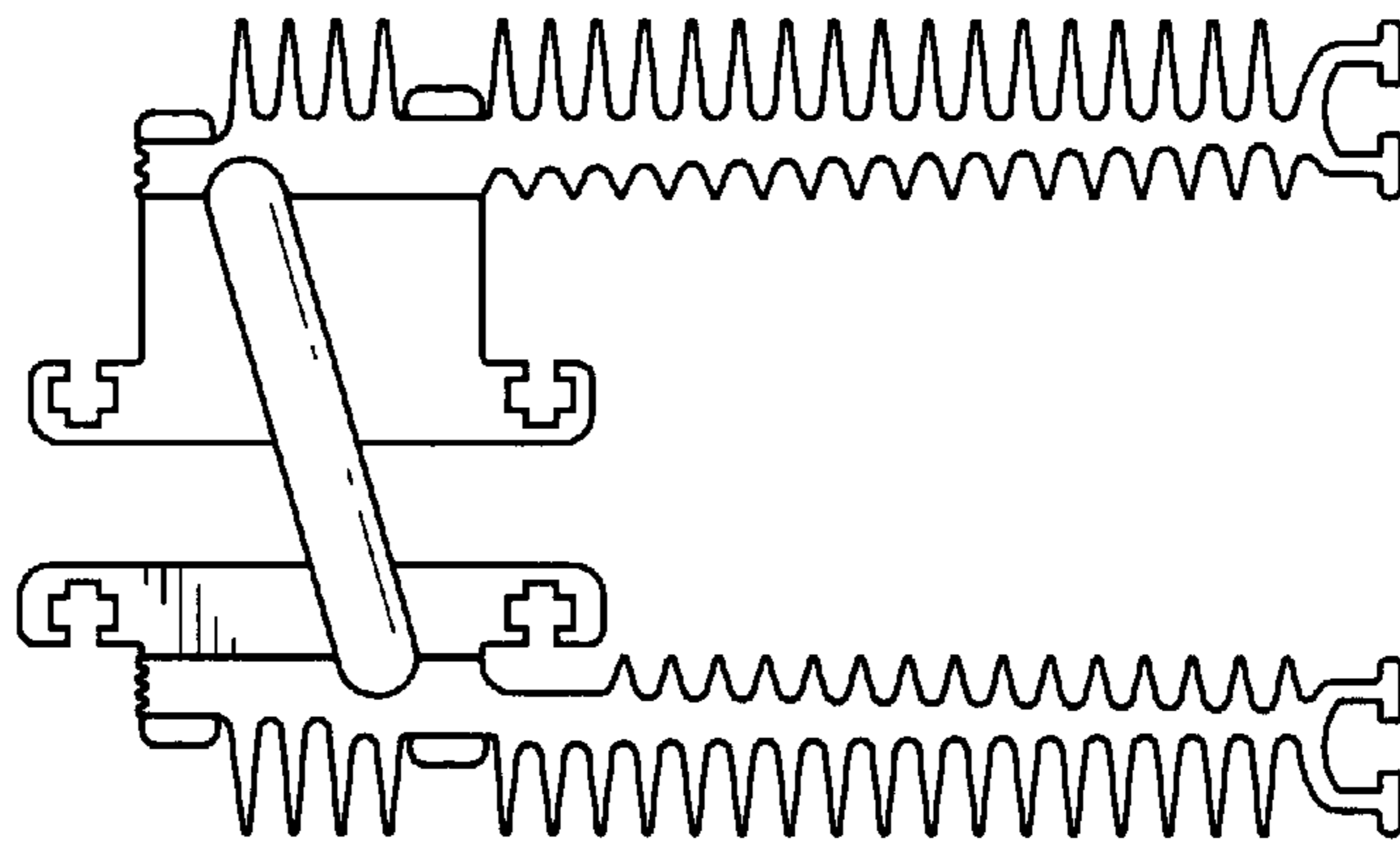


FIG. 3

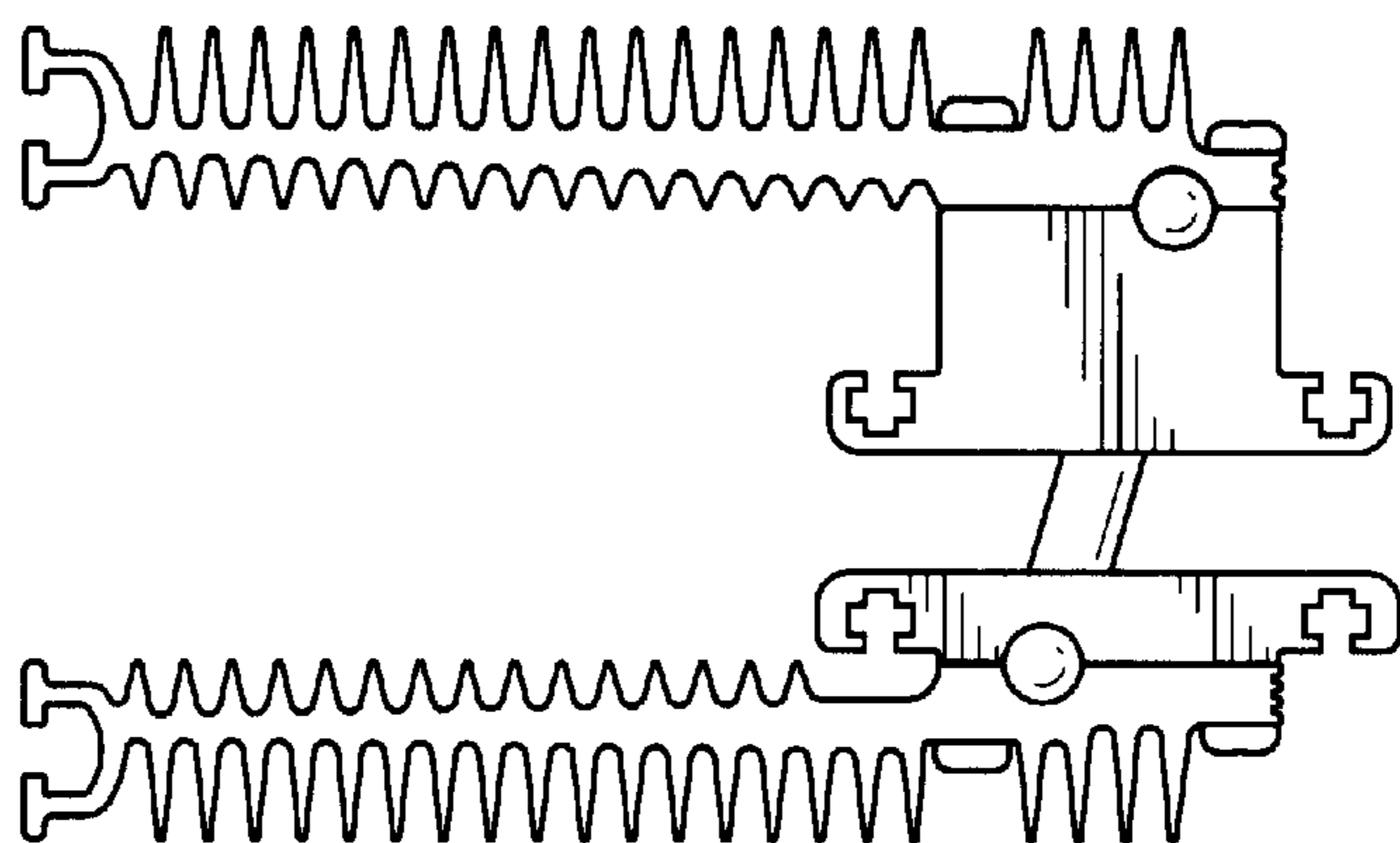


FIG. 4

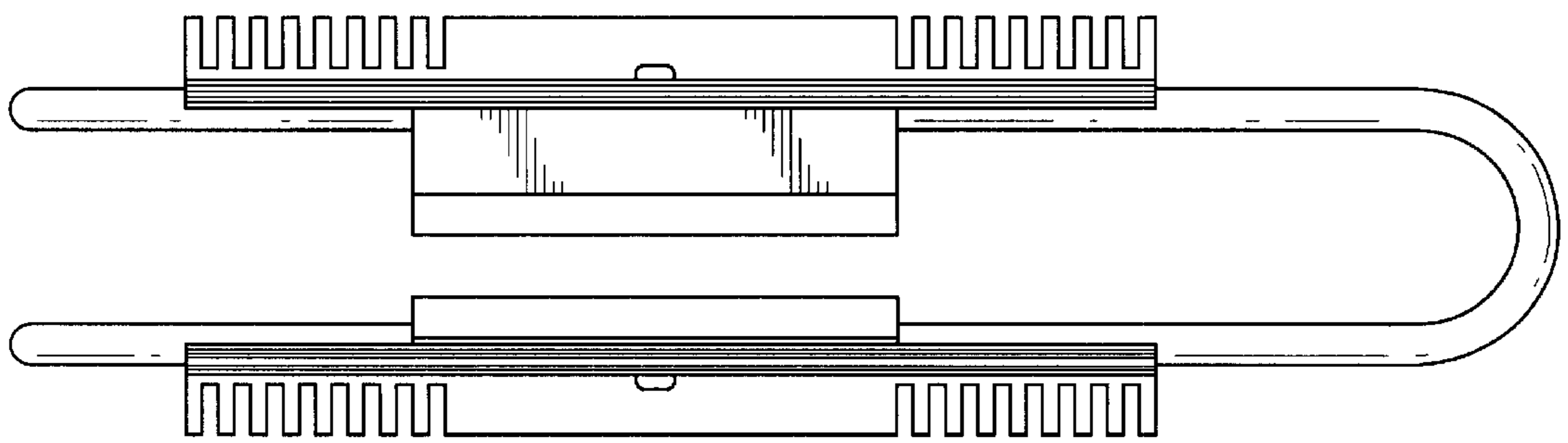


FIG. 5

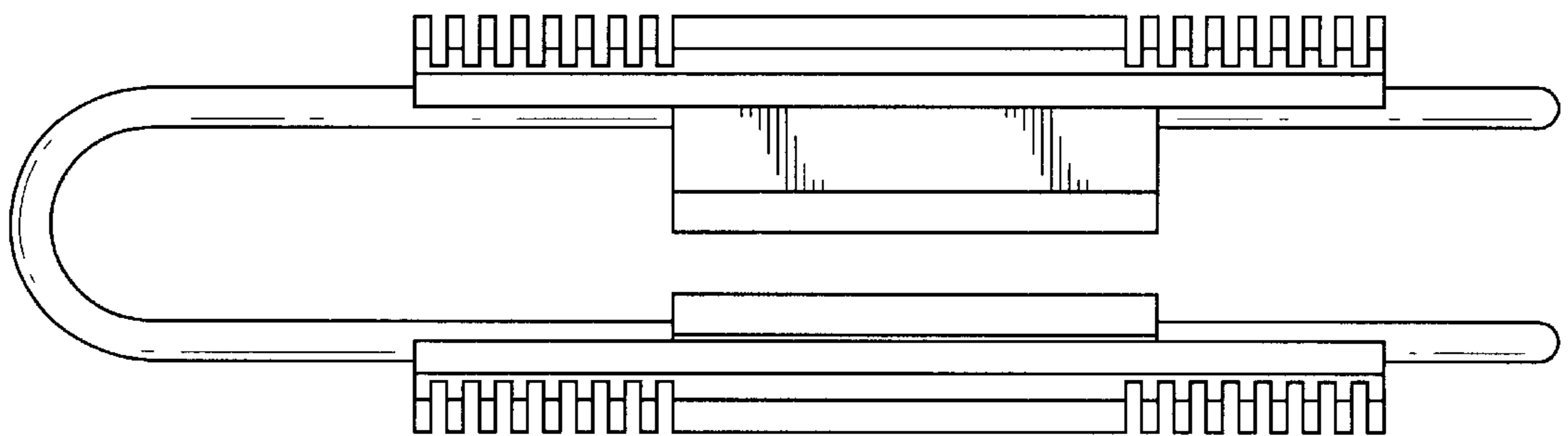


FIG. 6

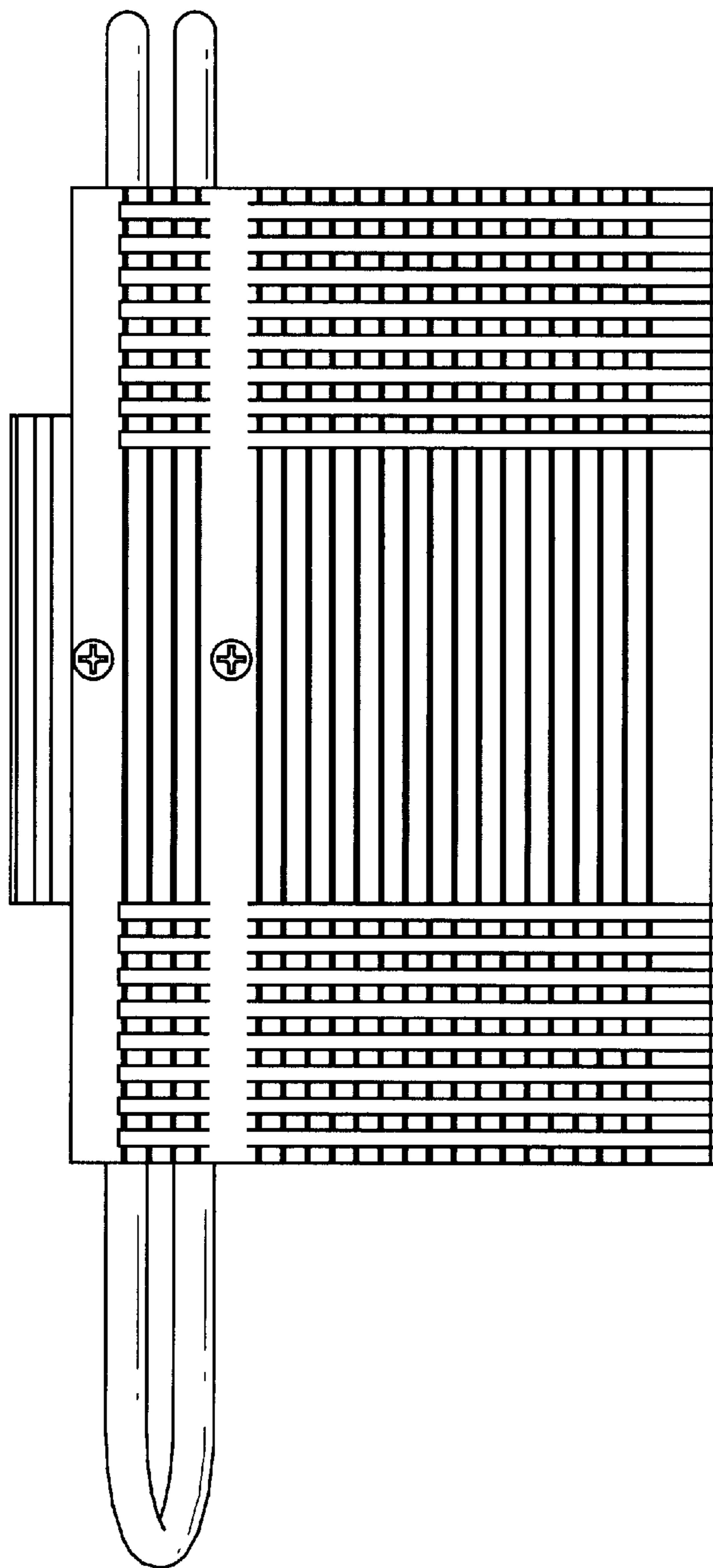


FIG. 7

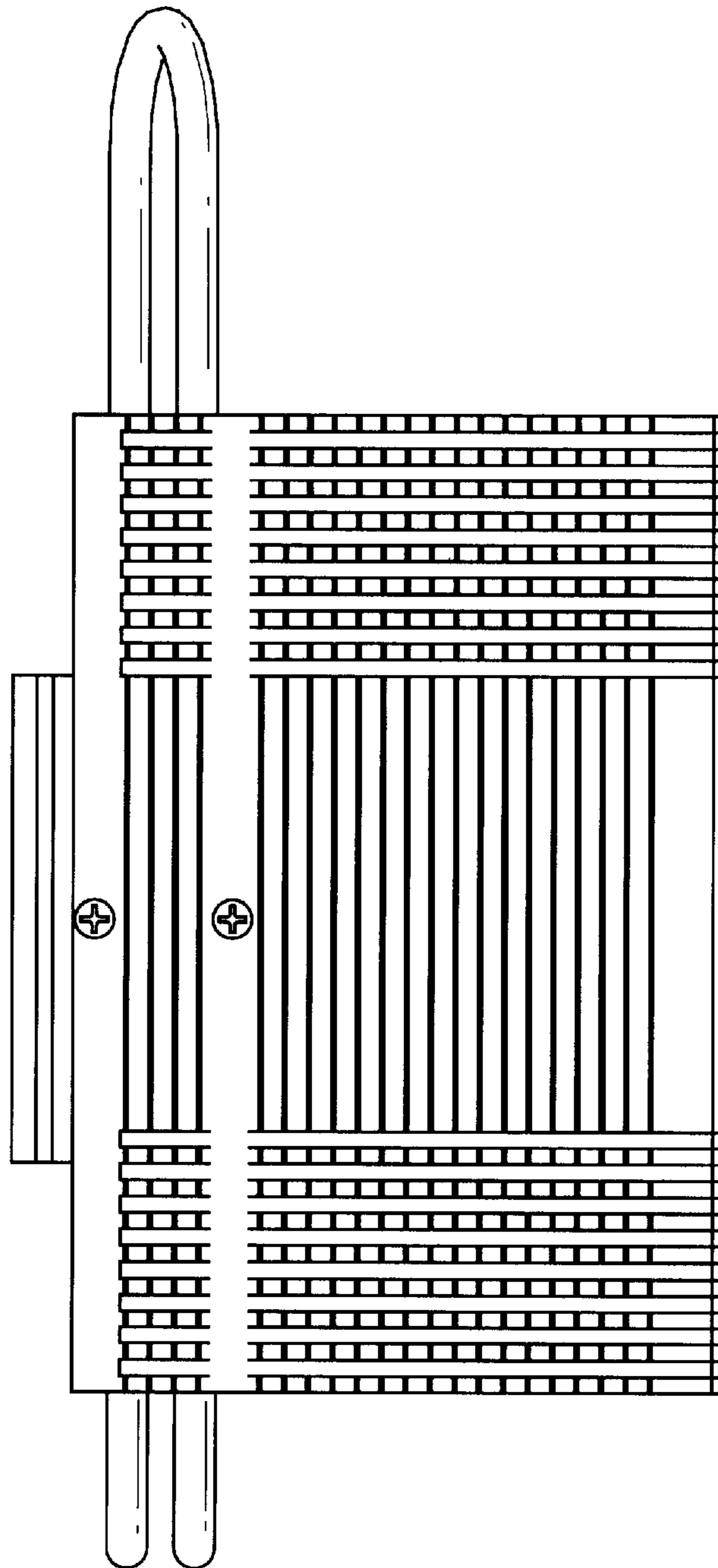


FIG. 8

