



US00D484852S

(12) **United States Design Patent**  
**James et al.**

(10) **Patent No.:** **US D484,852 S**  
(45) **Date of Patent:** **\*\* Jan. 6, 2004**

(54) **COMBINATION RECHARGEABLE PORTABLE BATTERY BOOSTER PACK, AIR COMPRESSOR AND DC POWER SUPPLY**

(75) Inventors: **Chad James**, Taylors, SC (US); **Joseph O. Hawkins**, Greer, SC (US)

(73) Assignee: **International Specialty Services, Inc.**, Greenville, SC (US)

(\*\*) Term: **14 Years**

(21) Appl. No.: **29/183,674**

(22) Filed: **Jun. 16, 2003**

(51) **LOC (7) Cl.** ..... **13-02**

(52) **U.S. Cl.** ..... **D13/107; D13/110; D15/9**

(58) **Field of Search** ..... **D13/107, 108, D13/110, 118; D15/9; 439/501, 504; 320/110-115, 104, 105**

(56) **References Cited**

**U.S. PATENT DOCUMENTS**

D413,098 S	*	8/1999	Dayan	.....	D13/110
5,982,138 A	*	11/1999	Krieger	.....	320/105
6,002,235 A	*	12/1999	Clore	.....	320/105
D429,482 S	*	8/2000	Hussaini et al.	.....	D13/107
D432,985 S	*	10/2000	Wan	.....	D13/107
6,155,870 A	*	12/2000	Valentine	.....	439/504
6,222,342 B1	*	4/2001	Eggert et al.	.....	320/105
RE37,482 E	*	12/2001	Guay et al.	.....	D13/110
D452,474 S	*	12/2001	Casarella	.....	D13/107
6,356,050 B1	*	3/2002	Hussaini	.....	320/105
6,565,381 B1	*	5/2003	Chou	.....	439/501

**FOREIGN PATENT DOCUMENTS**

GB 2041051 \* 12/1994

\* cited by examiner

*Primary Examiner*—Joel Sincavage

(74) *Attorney, Agent, or Firm*—Dority & Manning, P.A.

(57) **CLAIM**

The ornamental design for a combination rechargeable portable battery booster pack, air compressor and DC power supply, as shown and described.

**DESCRIPTION**

FIG. 1 is an front left perspective view of the front of a combination rechargeable portable battery booster pack, air compressor and DC power supply;

FIG. 2 is a rear right perspective view of the rear of the combination rechargeable portable battery booster pack, air compressor and DC power supply of FIG. 1;

FIG. 3 is a top view of the of the combination rechargeable portable battery booster pack, air compressor and DC power supply of FIGS. 1 and 2;

FIG. 4 is a front plan view thereof;

FIG. 5 is a rear plan view thereof;

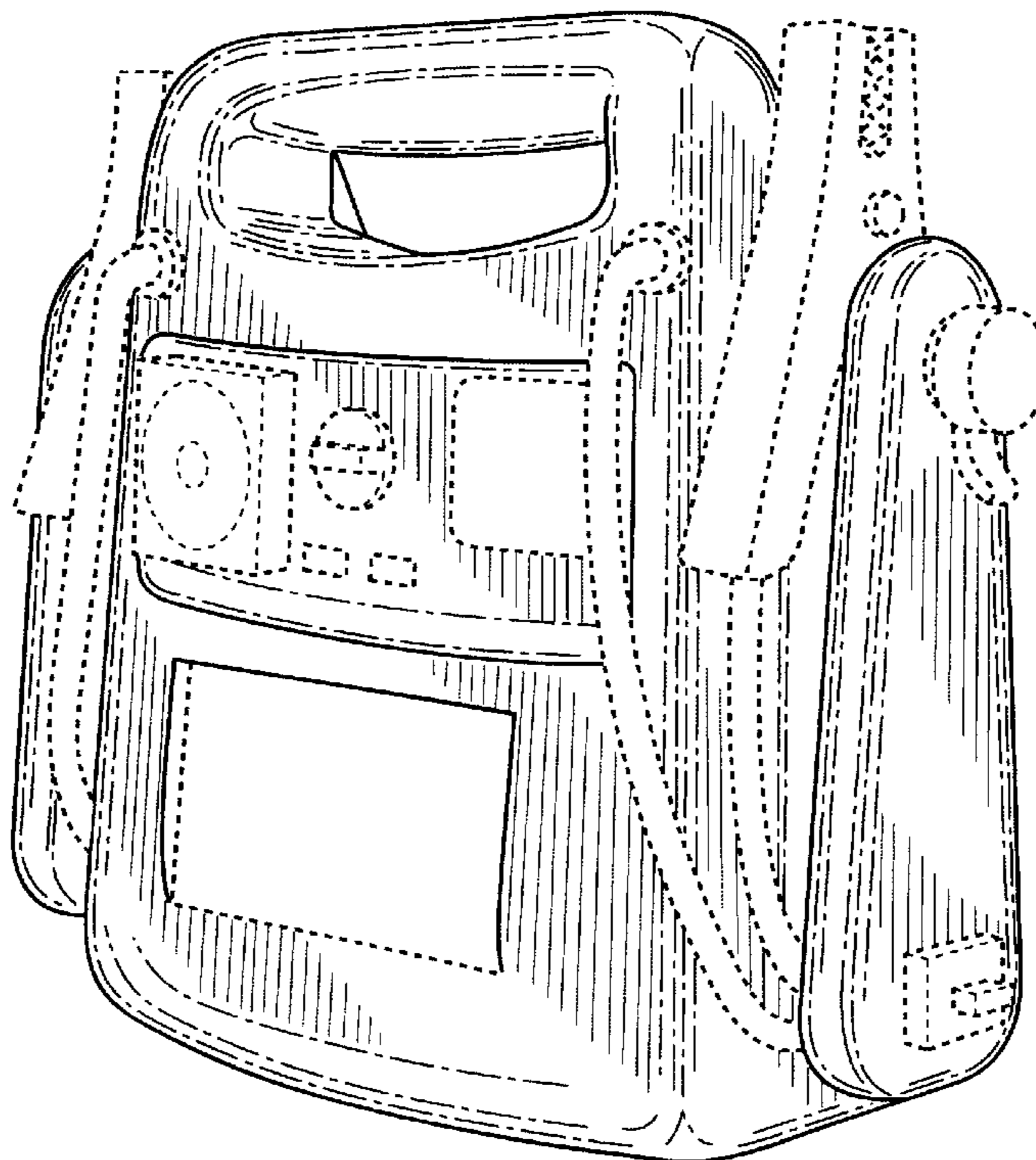
FIG. 6 is a bottom plan view thereof;

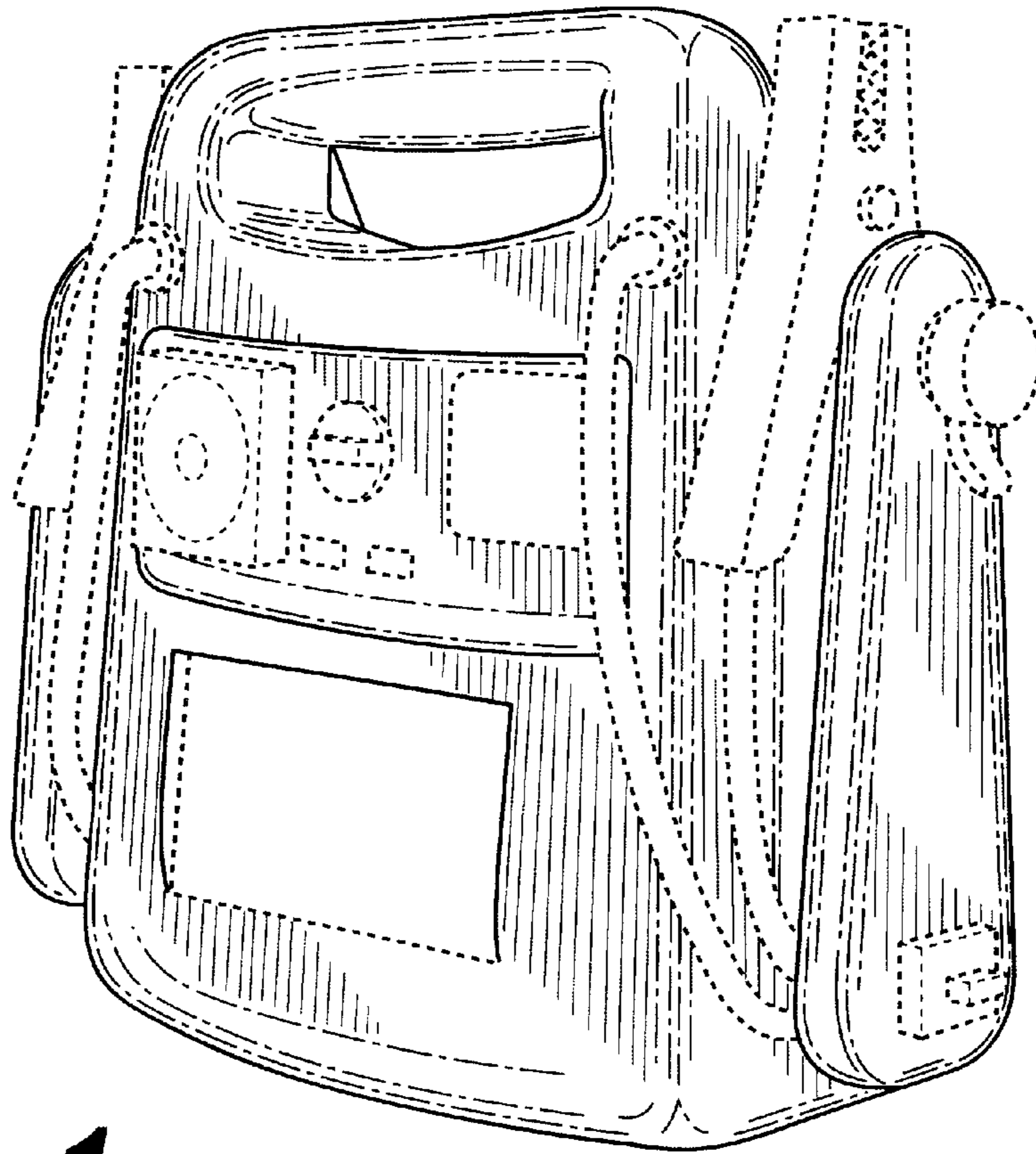
FIG. 7 is a plan view of the left side of the combination rechargeable portable battery booster pack, air compressor and DC power supply of FIGS. 1-6; and,

FIG. 8 is a plan view of the right side thereof.

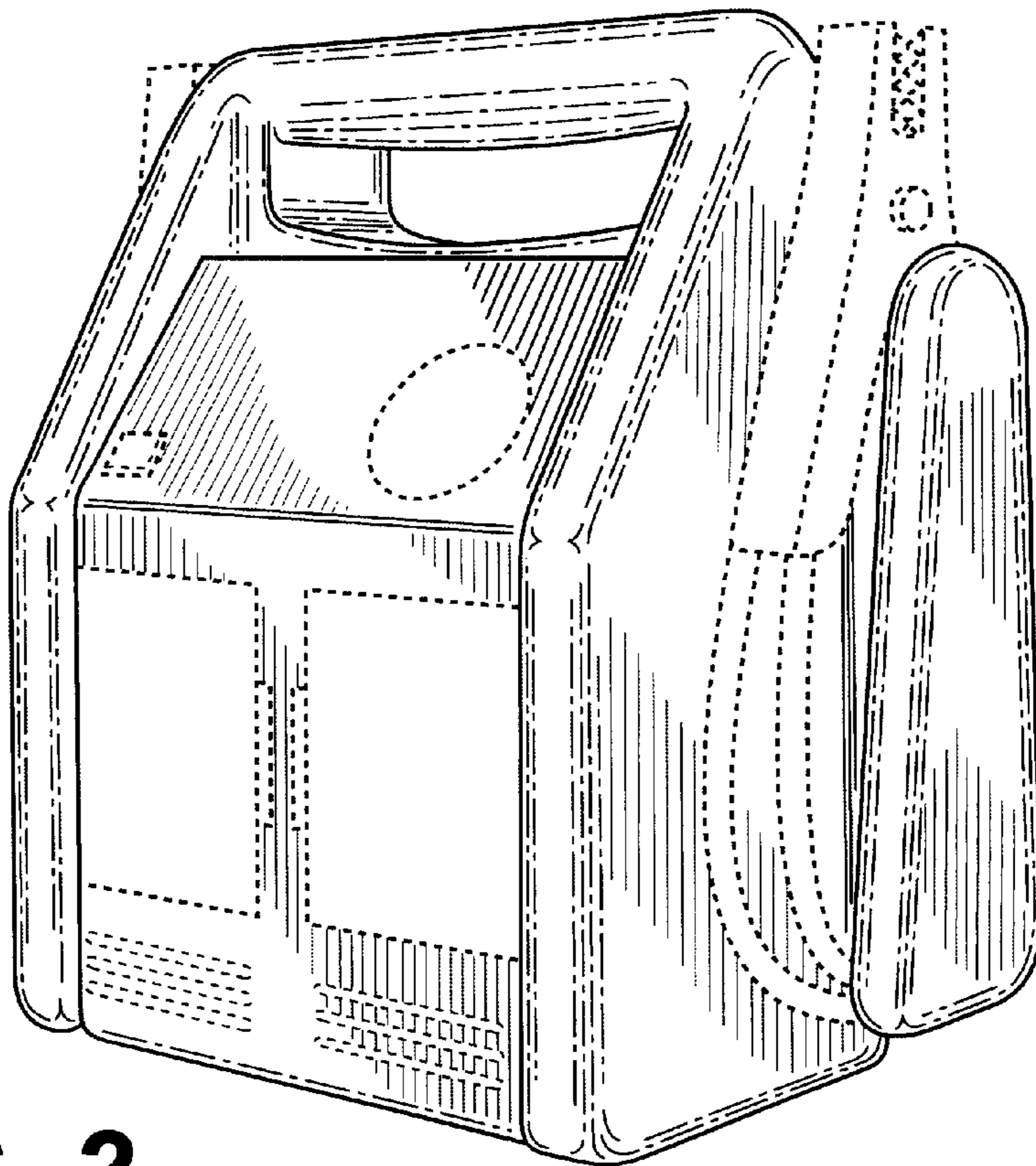
The broken line showing of environmental structure is for illustrative purposes only and forms no part of the claimed design.

**1 Claim, 4 Drawing Sheets**

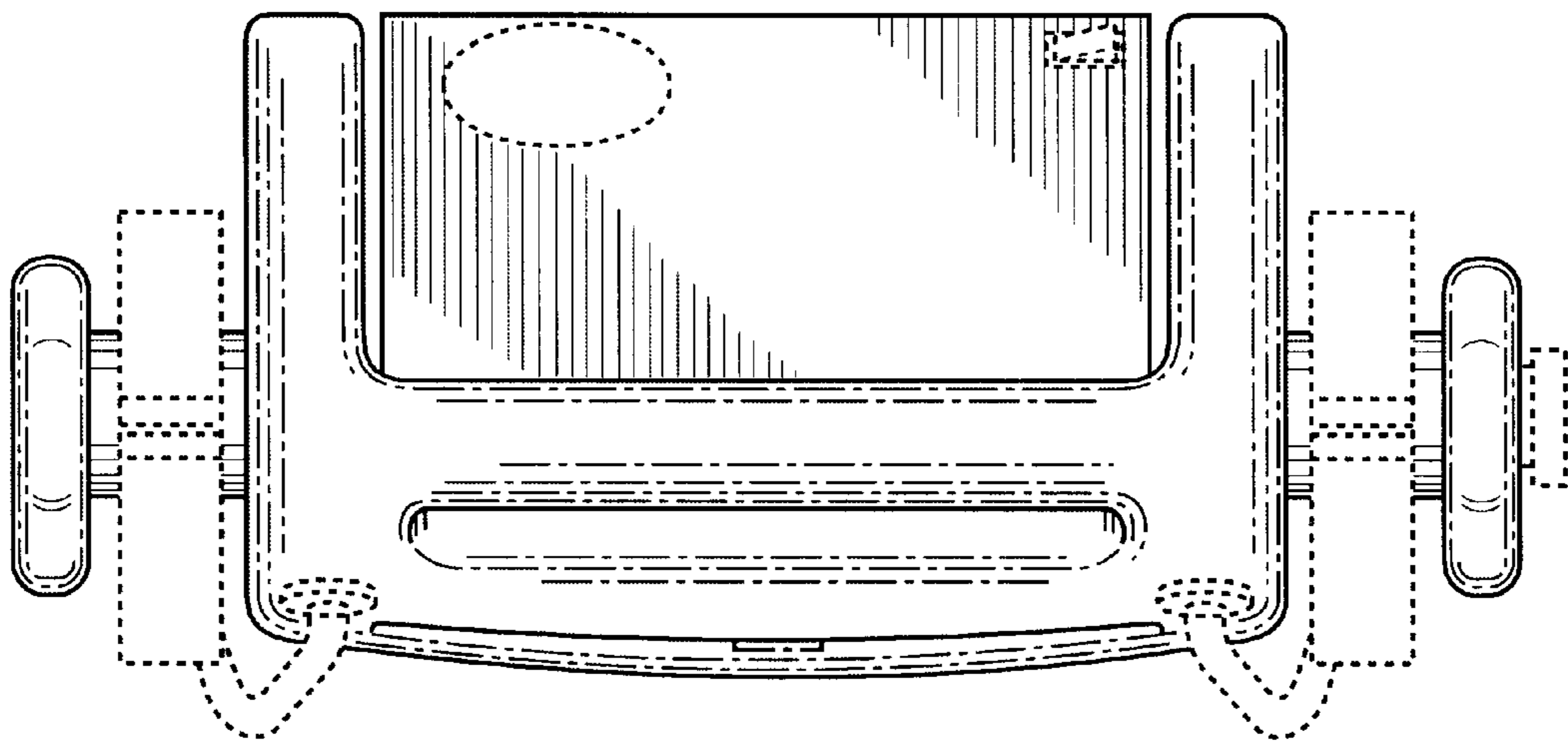




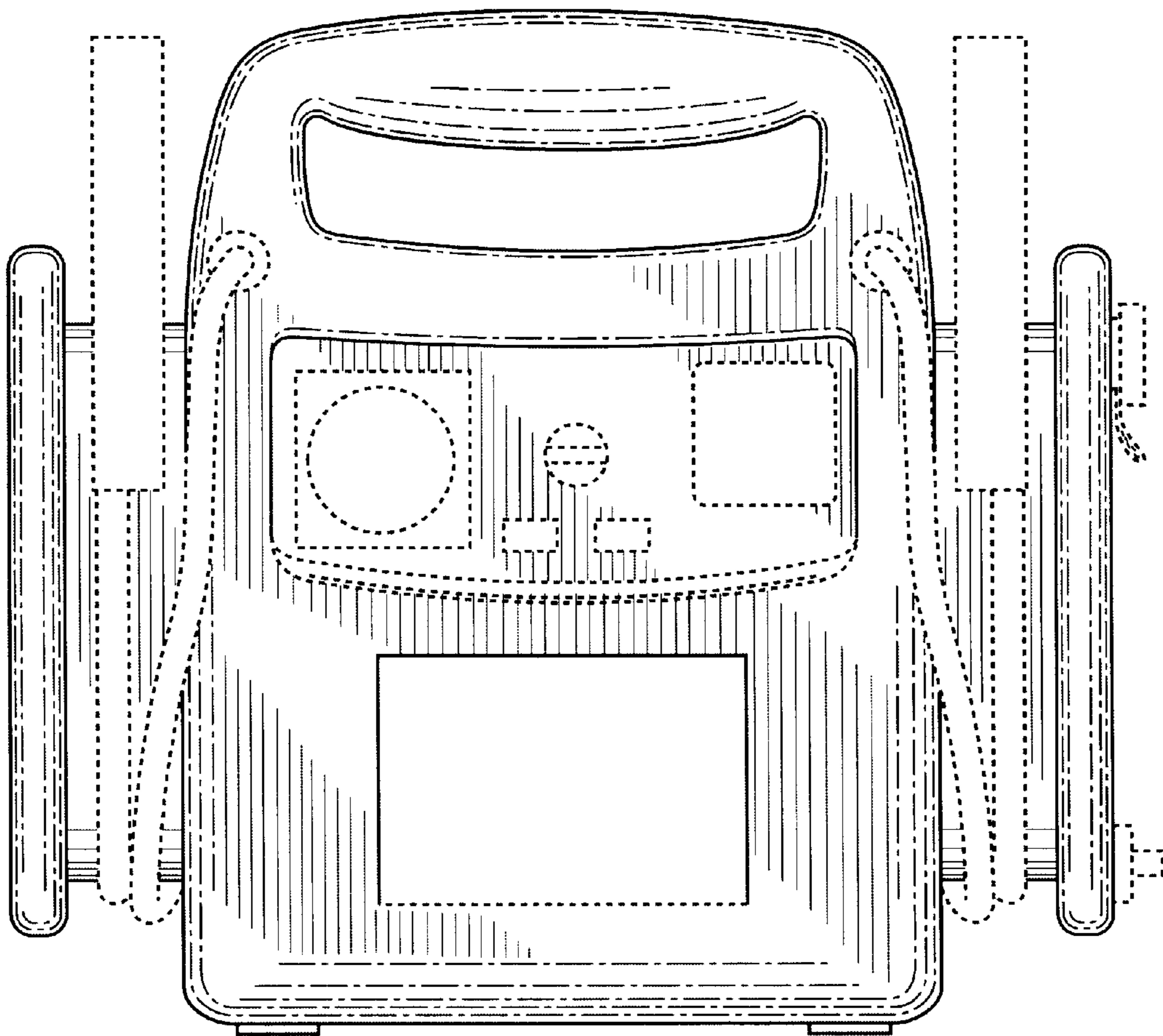
**FIG. 1**



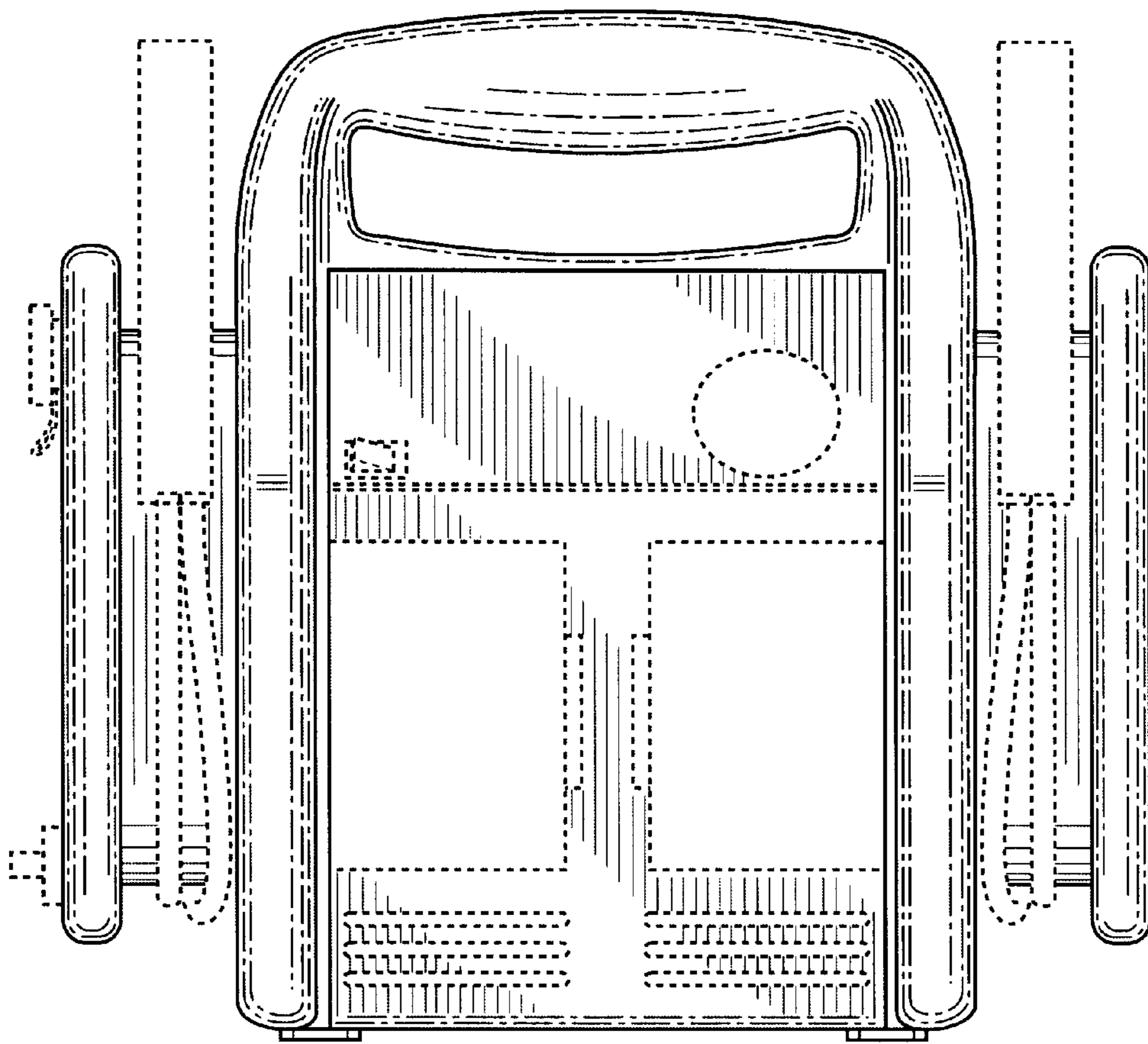
**FIG. 2**



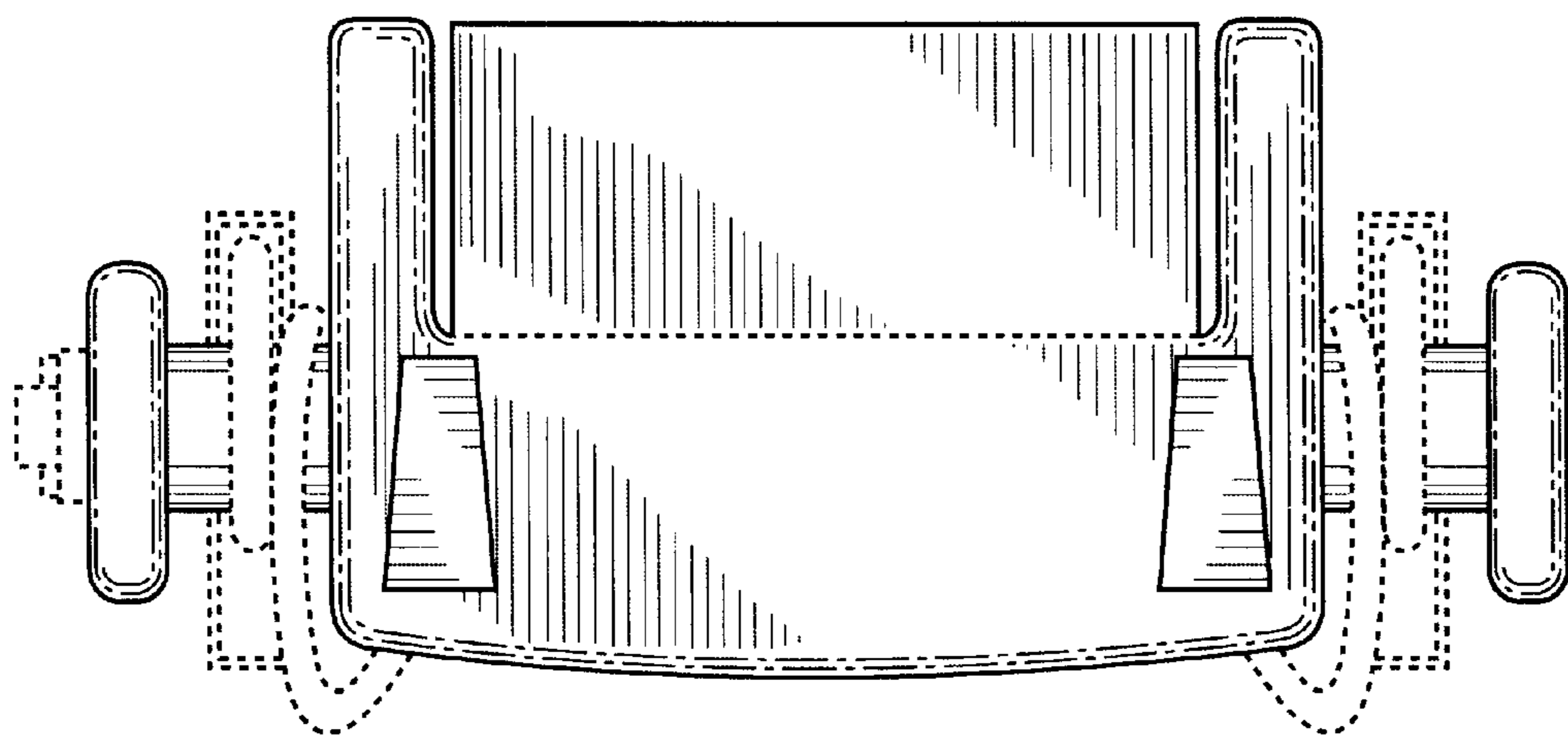
**FIG. 3**



**FIG. 4**

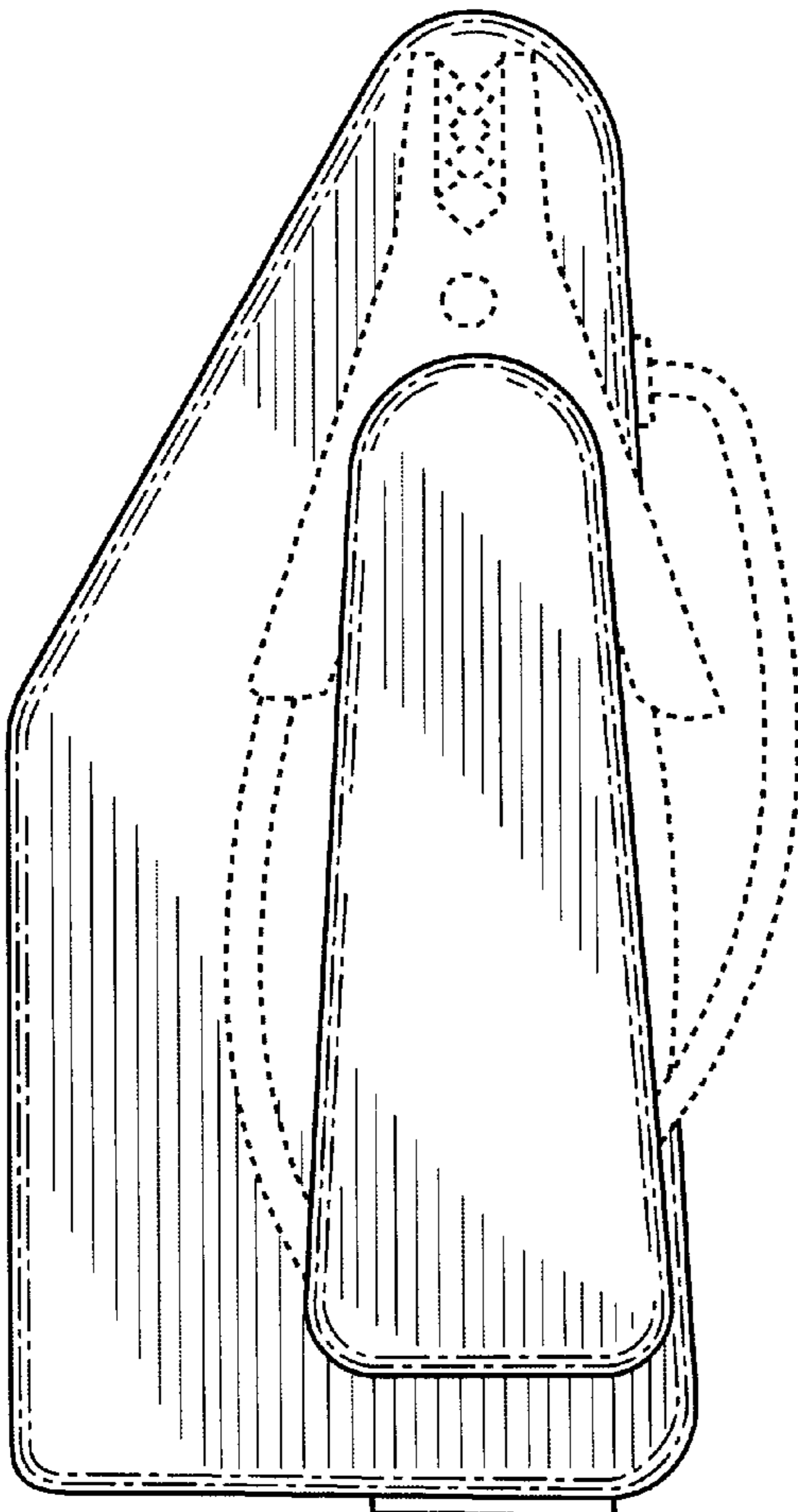
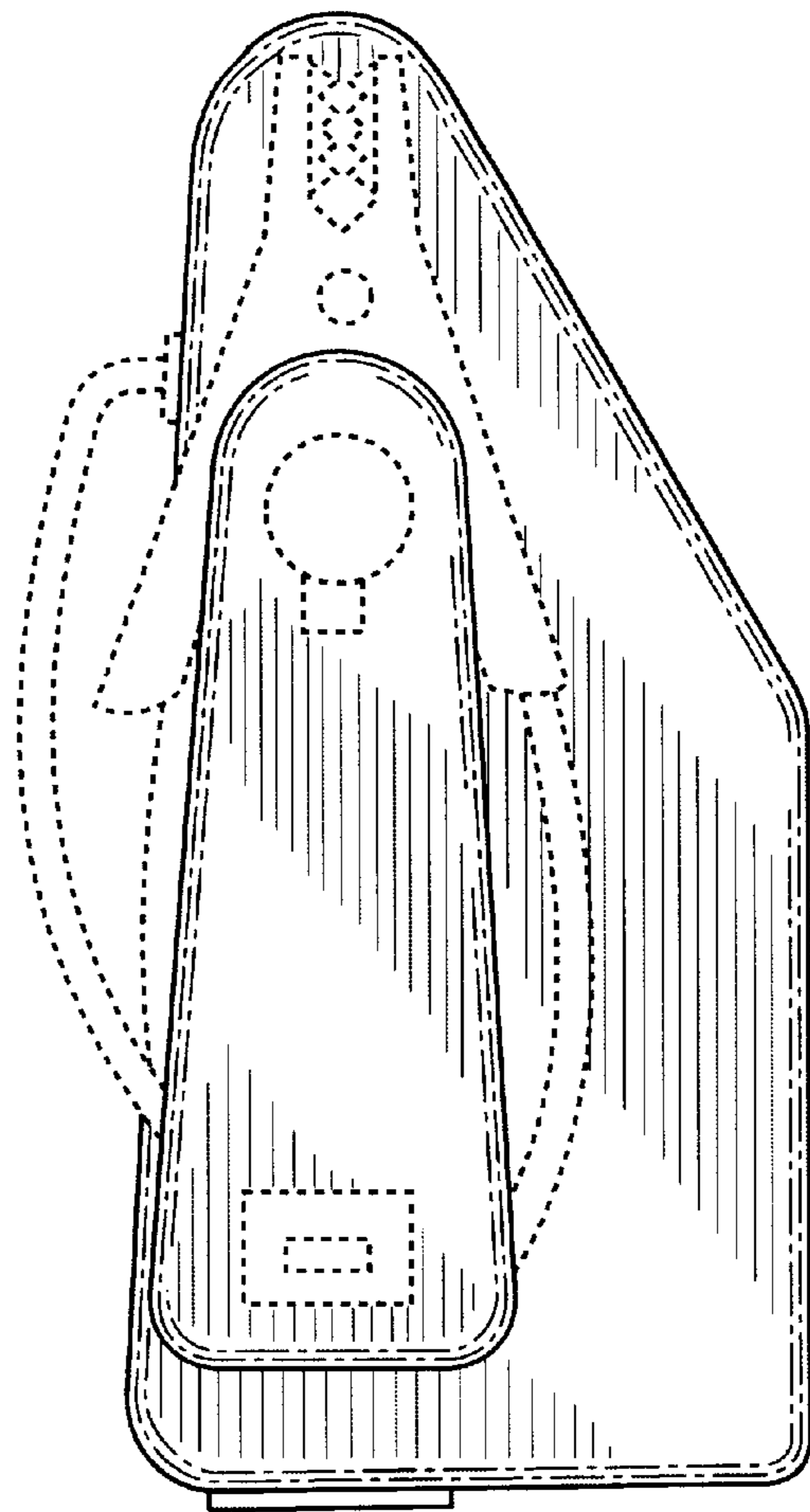


**FIG. 5**



**FIG. 6**

**FIG. 7**



**FIG. 8**