



US00D484851S

(12) **United States Design Patent**  
**Voli**

(10) **Patent No.:** **US D484,851 S**

(45) **Date of Patent:** **\*\* Jan. 6, 2004**

(54) **BATTERY**

(75) **Inventor:** **Edward M. Voli**, East Setauket, NY (US)

(73) **Assignee:** **Symbol Technologies, Inc.**, Holtsville, NY (US)

(\*\*) **Term:** **14 Years**

(21) **Appl. No.:** **29/174,589**

(22) **Filed:** **Jan. 22, 2003**

(51) **LOC (7) Cl.** ..... **13-02**

(52) **U.S. Cl.** ..... **D13/103**

(58) **Field of Search** ..... D13/103, 104, D13/106; 429/96-100, 159, 163, 176

(56) **References Cited**

**U.S. PATENT DOCUMENTS**

4,728,876	A	*	3/1988	Mongeon et al.	.....	429/86	X
D378,509	S	*	3/1997	Voroba et al.	.....	D13/103	
D439,878	S	*	4/2001	Ark et al.	.....	D13/103	
D456,348	S	*	4/2002	Funakoshi	.....	D13/103	

**OTHER PUBLICATIONS**

Symbol Technologies PDT 6800 Series Brochure 11-02. Engineering drawing Jun. 8, 2001.

\* cited by examiner

*Primary Examiner*—Joel Sincavage

(74) *Attorney, Agent, or Firm*—Amin & Turocy,LLP

(57) **CLAIM**

The ornamental design of a battery, as shown and described.

**DESCRIPTION**

FIG. 1 is a perspective view of the battery of the present invention.

FIG. 2 is a front view of the battery of FIG. 1.

FIG. 3 is a back view of the battery of FIG. 1.

FIG. 4 is a top view of the battery of FIG. 1.

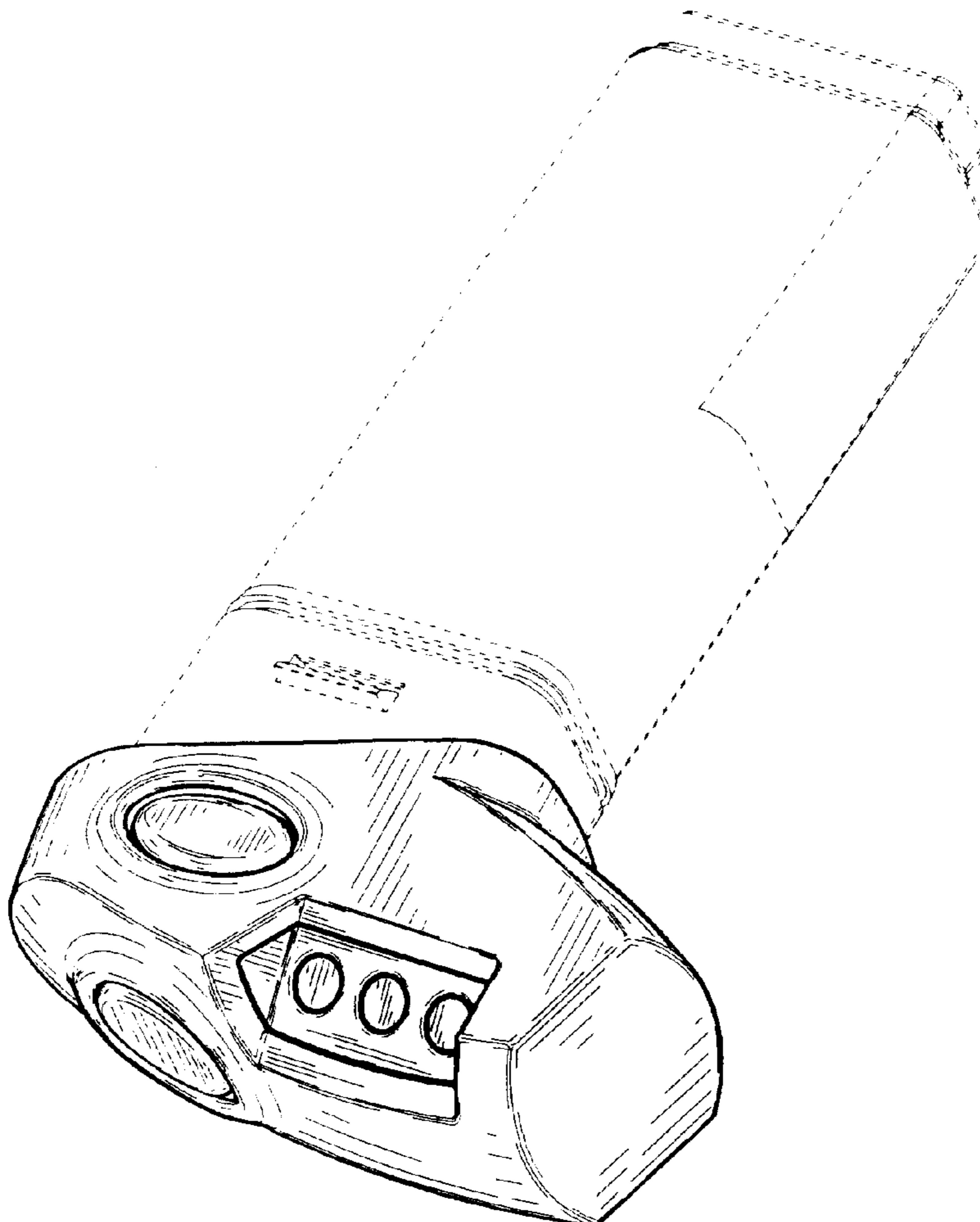
FIG. 5 is a bottom view of the battery of FIG. 1.

FIG. 6 is a left side view of the battery of FIG. 1; and,

FIG. 7 is a right side view of the battery of FIG. 1.

The broken lines shown in FIGS. 1-7 are for illustrative purposes only and form no part of the claimed design.

**1 Claim, 2 Drawing Sheets**



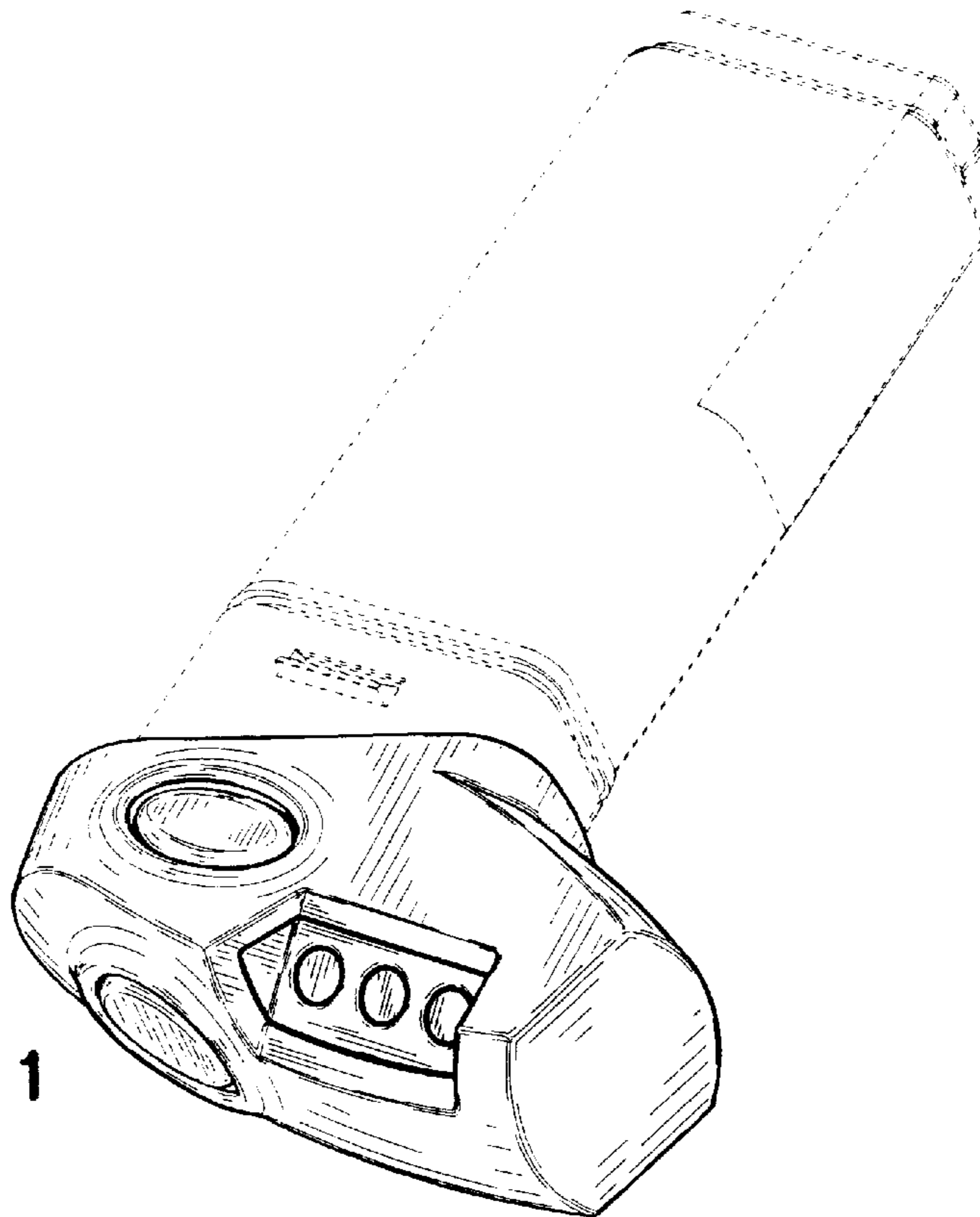


Figure 1

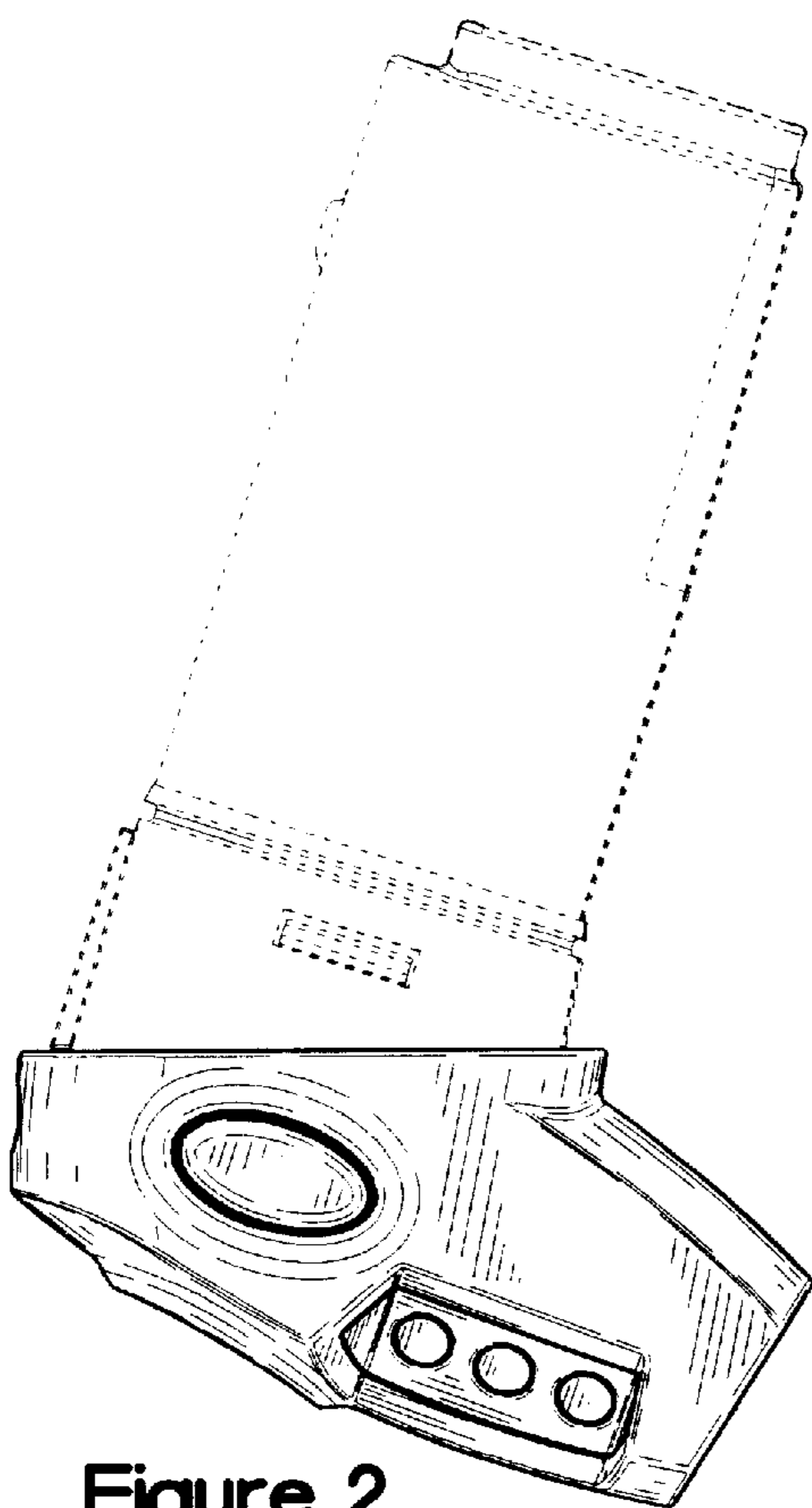


Figure 2

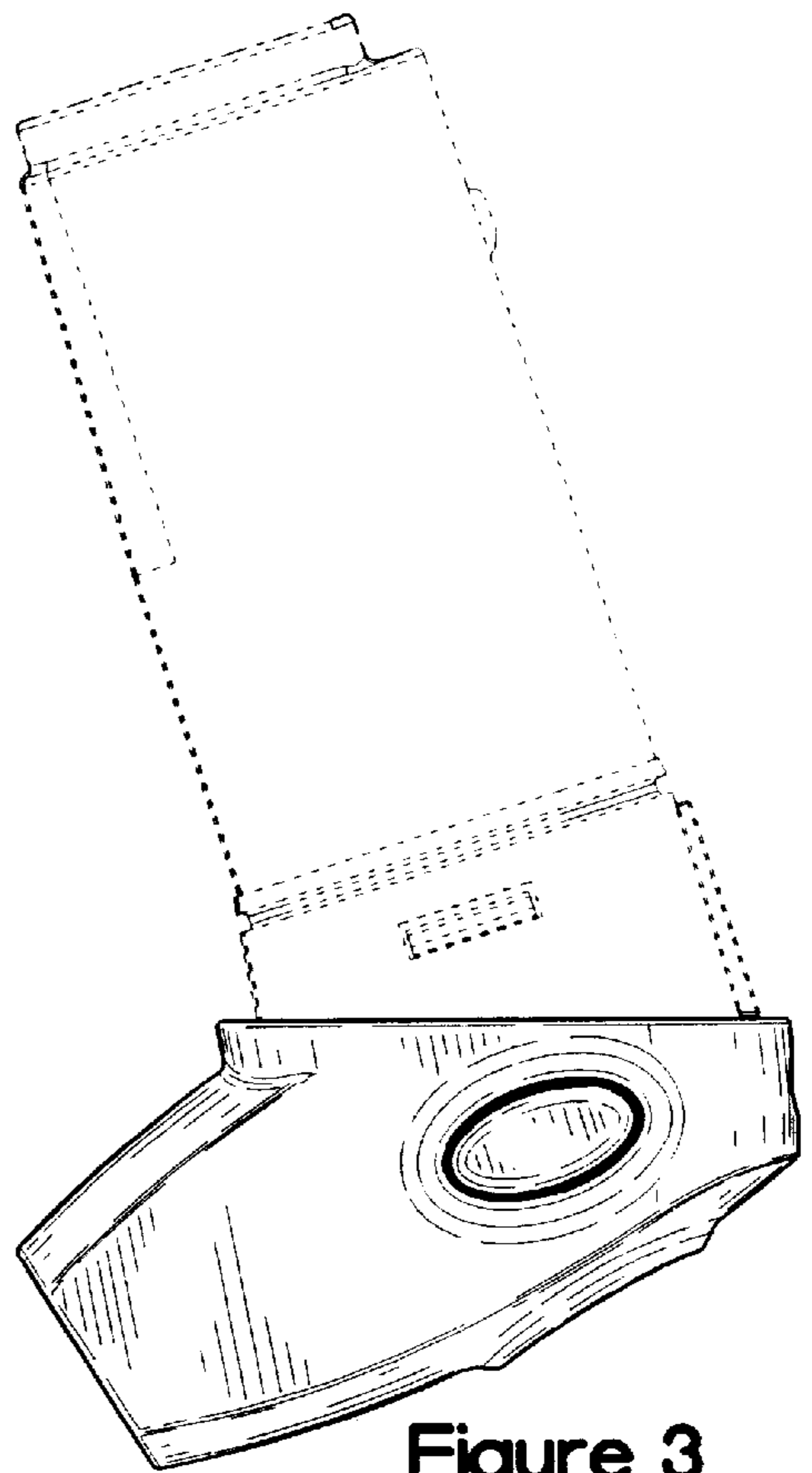


Figure 3

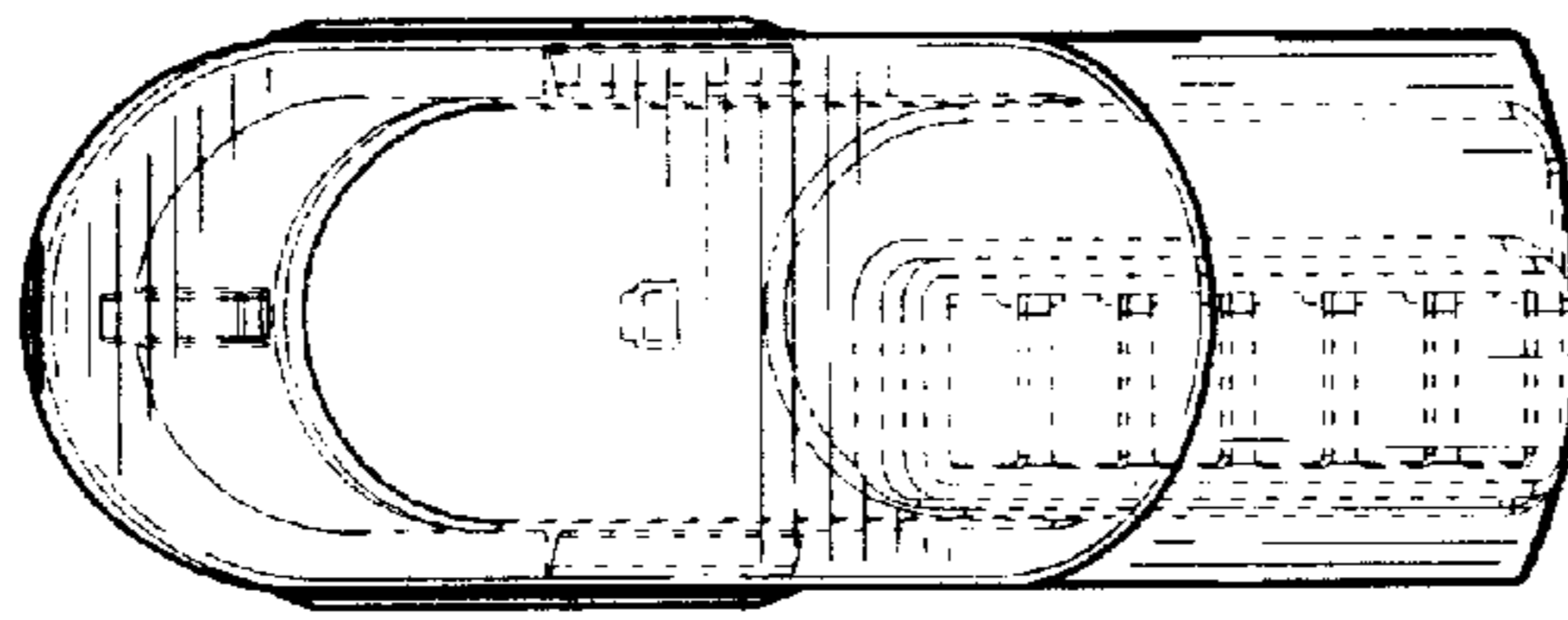


Figure 4

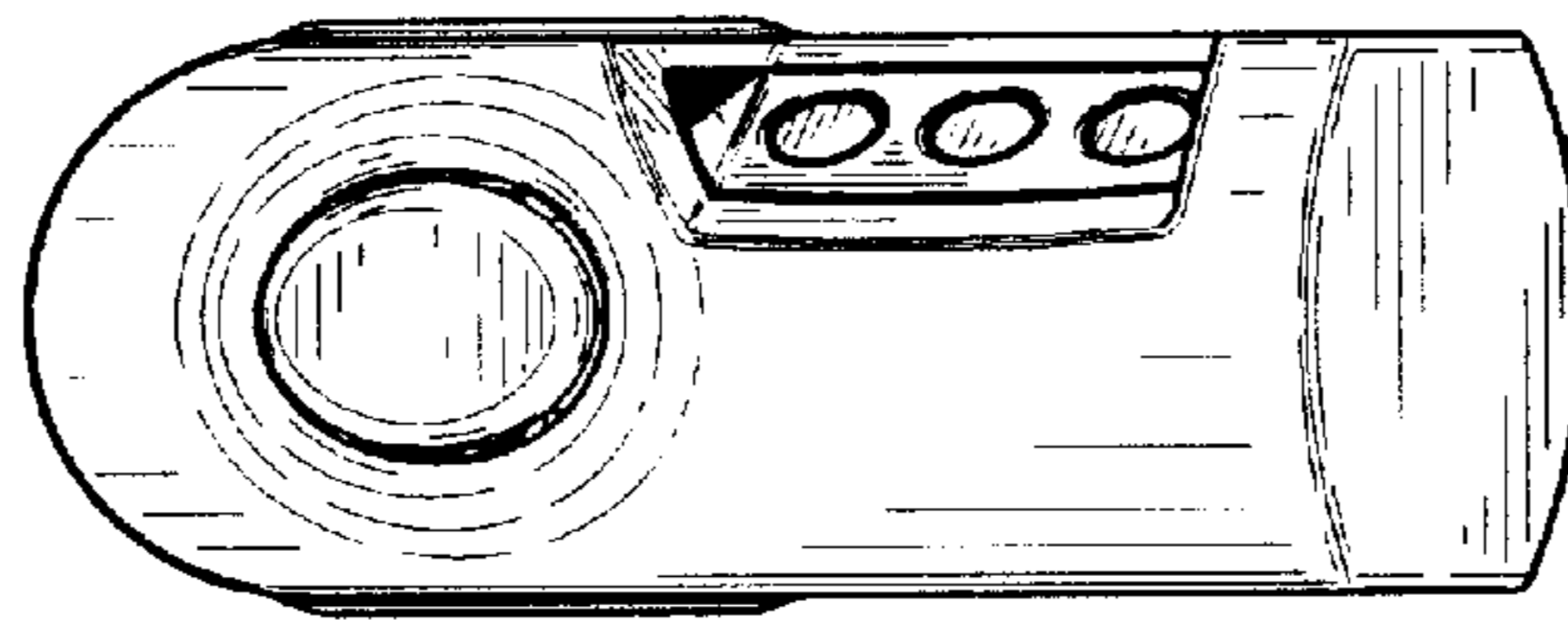


Figure 5

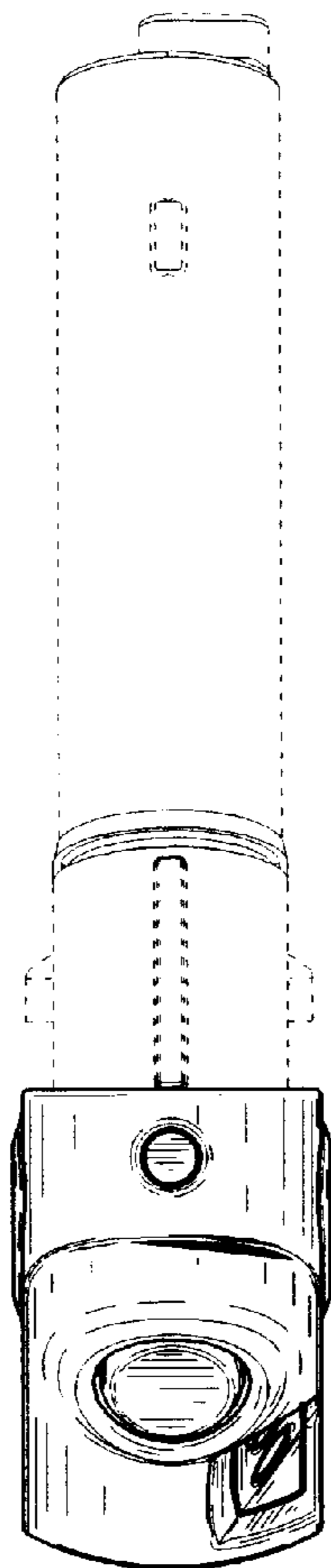


Figure 6

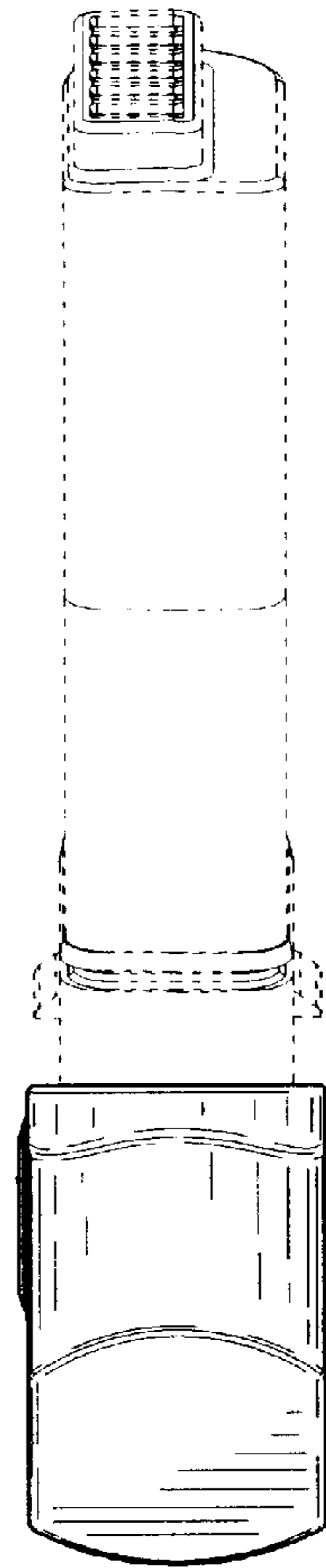


Figure 7