



US00D484850S

(12) **United States Design Patent**
Johnson

(10) **Patent No.:** **US D484,850 S**

(45) **Date of Patent:** **** Jan. 6, 2004**

(54) **BATTERY**

(75) **Inventor:** **Todd W. Johnson**, Wauwatosa, WI (US)

(73) **Assignee:** **Milwaukee Electric Tool Corporation**, Brookfield, WI (US)

(**) **Term:** **14 Years**

(21) **Appl. No.:** **29/171,492**

(22) **Filed:** **Nov. 22, 2002**

(51) **LOC (7) Cl.** **13-02**

(52) **U.S. Cl.** **D13/103**

(58) **Field of Search** D13/103, 107, D13/108, 110, 162, 164; D10/75; D14/163, 165

(56) **References Cited**

U.S. PATENT DOCUMENTS

3,852,652 A	12/1974	Jasinski	
3,906,369 A	9/1975	Pittman et al.	
D260,886 S	* 9/1981	Taylor D14/314
D266,501 S	10/1982	Stefanik	
D278,142 S	* 3/1985	Chan D13/164
D278,426 S	* 4/1985	Lanci et al. D13/107
D285,554 S	* 9/1986	Beaumont et al. D13/164 X
D296,529 S	* 7/1988	Larson et al. D10/75
D301,135 S	* 5/1989	Schappler D13/107
4,829,226 A	5/1989	Nakamura et al.	
4,845,650 A	7/1989	Meade et al.	
D313,391 S	1/1991	Pudwill	
D321,338 S	11/1991	Sakamoto et al.	
D322,060 S	* 12/1991	Iino D13/107

(List continued on next page.)

FOREIGN PATENT DOCUMENTS

JP 2001143678 A 7/2001

OTHER PUBLICATIONS

Article entitled "Makita Launches Nickel Metal Hydride", http://www.makita.com/Press_Item_View.asp?id=32, visited Apr. 17, 2002.

Article entitled "Makita's Nickel-Metal Hydride Batteries Reach a New Level", http://www.makita.com/Press_Item_View.asp?id=30, visited Apr. 17, 2002.

Article entitled "1 Hour Charger", http://www.boschtools.com/Tools+and+Accessories/Accessories/acc_specifications.htm?item_no=BC001, visited Apr. 17, 2002.

Article entitled "Professional Cordless Tools", http://www.panasonic.com/commercial_building/power_tools/press/pr8.html, visited Apr. 16, 2002.

Article entitled "'H' Type Nickel Metal Hydride Battery: Improved Low Rate Charge Characteristics at Higher Temperatures", dated Apr. 2002.

Dantona Industries, Inc., advertising brochure, Sep. 2001.

Primary Examiner—Joel Sincavage

(74) *Attorney, Agent, or Firm*—Michael Best & Friedrich LLP

(57) **CLAIM**

I claim the ornamental design for a battery, as shown and described.

DESCRIPTION

FIG. 1 is a front perspective view of a battery embodying the invention.

FIG. 2 is a right side view of a battery shown in FIG. 1.

FIG. 3 is a top view of a battery shown in FIG. 1.

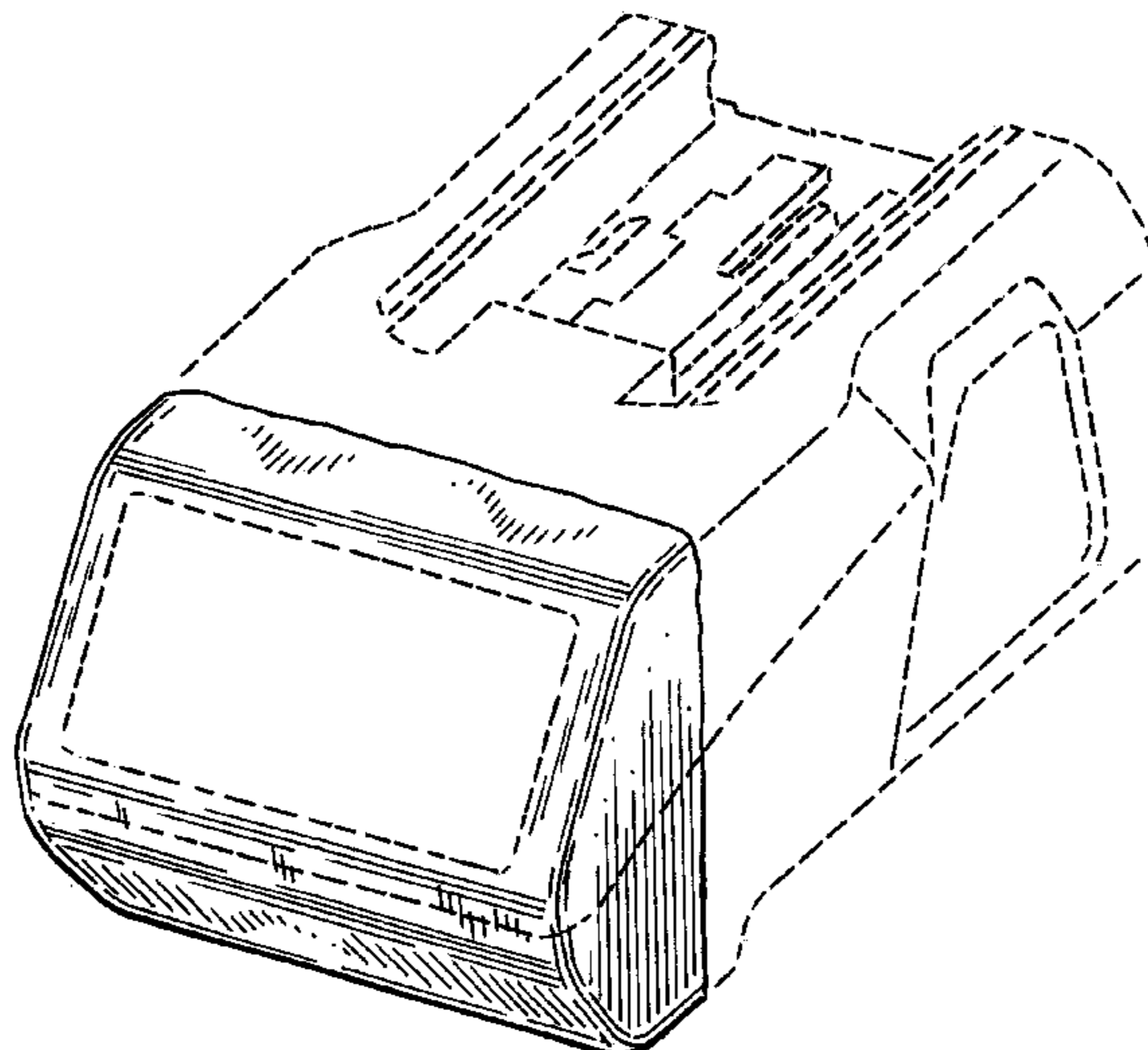
FIG. 4 is a front view of a battery shown in FIG. 1.

FIG. 5 is a rear view of a battery shown in FIG. 1; and,

FIG. 6 is a bottom view of a battery shown in FIG. 1.

Terminal connections, the rear shape of the battery, and the locking mechanism, are not considered part of the design sought to be patented, and have accordingly been shown in broken lines.

1 Claim, 3 Drawing Sheets



US D484,850 S

Page 2

U.S. PATENT DOCUMENTS

5,144,217 A	9/1992	Gardner et al.	6,066,938 A	5/2000	Hyodo et al.
5,200,686 A	4/1993	Lee	6,075,341 A	6/2000	White et al.
5,213,913 A	5/1993	Anthony, III et al.	6,114,831 A	9/2000	Attimont et al.
5,298,821 A	3/1994	Michel	6,175,211 B1	1/2001	Brotto
5,391,972 A	2/1995	Gardner et al.	6,175,213 B1	1/2001	Centa et al.
5,406,187 A	4/1995	Harrison	6,181,102 B1	1/2001	Andrews et al.
5,438,248 A	8/1995	Hyuck	6,191,554 B1	2/2001	Nakane et al.
5,686,808 A	11/1997	Lutz	6,215,275 B1	4/2001	Bean
D387,728 S	12/1997	Kawakami et al.	6,229,280 B1	5/2001	Sakoh et al.
D388,792 S	1/1998	Nykerk	D450,338 S	11/2001	Hamamura
5,744,937 A	4/1998	Cheon	6,329,788 B1	12/2001	Bailey, Jr. et al.
D398,900 S *	9/1998	Roman D13/123	6,331,761 B1	12/2001	Kumar et al.
5,902,080 A *	5/1999	Kopras 409/182	D456,002 S	4/2002	Kato et al.
5,903,423 A	5/1999	Okano et al.	D460,413 S	7/2002	Zurwelle et al.
5,909,101 A	6/1999	Matsumoto et al.	6,508,313 B1	1/2003	Carney et al.
5,912,546 A	6/1999	Sakou et al.	6,537,694 B1 *	3/2003	Sugiura et al. 429/99 X
D412,485 S	8/1999	Kato et al.	2001/0001533 A1	5/2001	Andersen et al.
D417,648 S	12/1999	Clowers et al.			

* cited by examiner

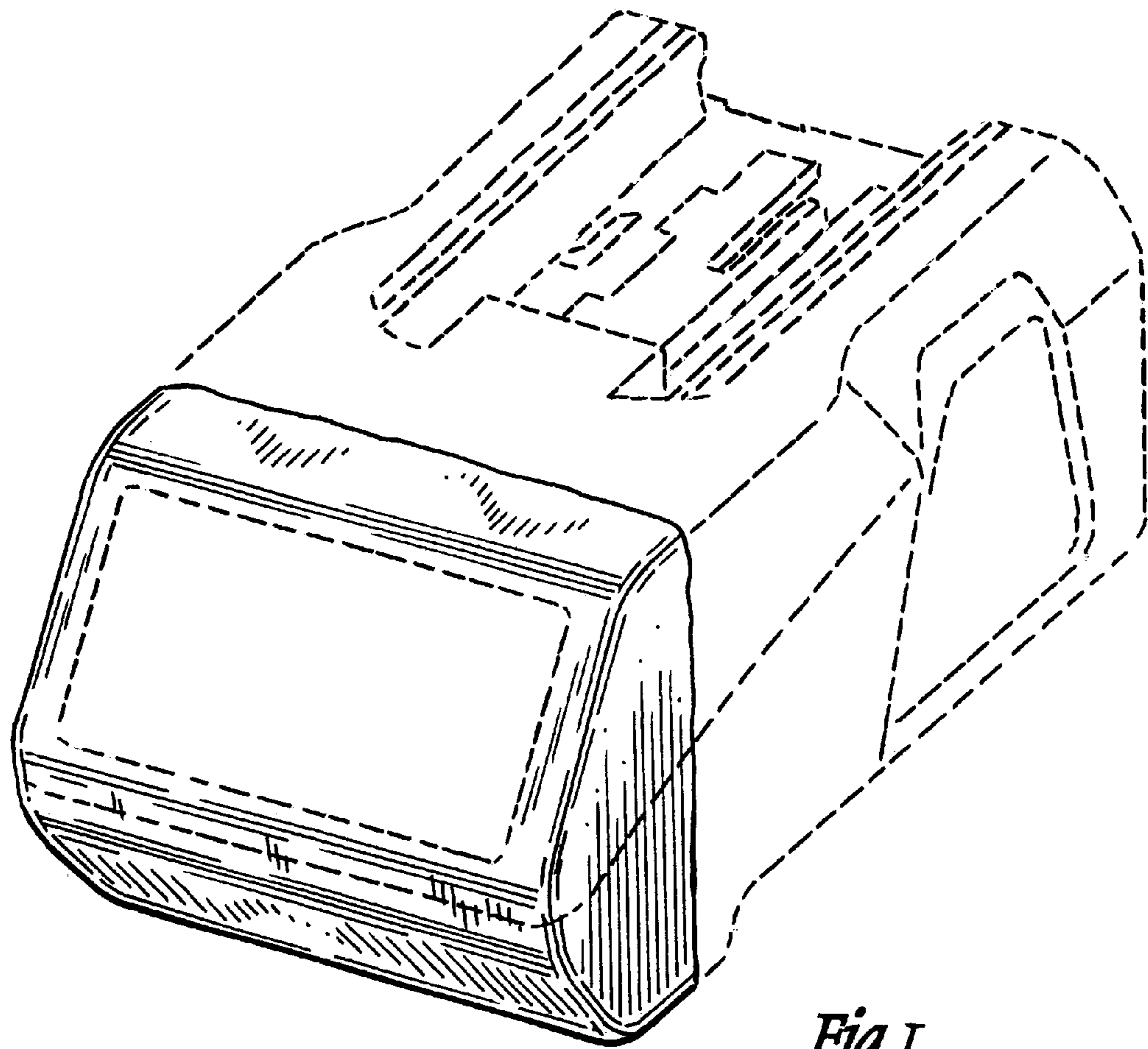


Fig. 1

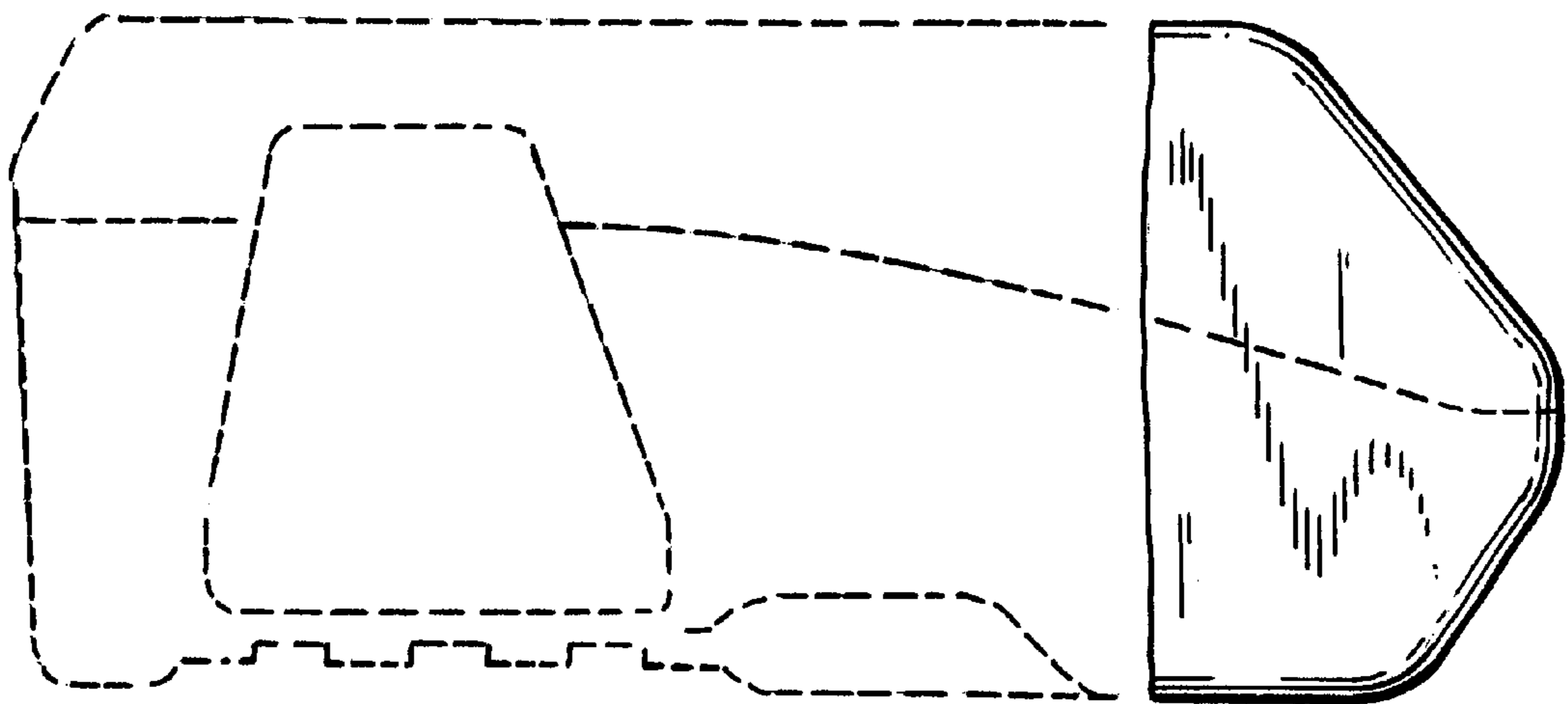


Fig. 2

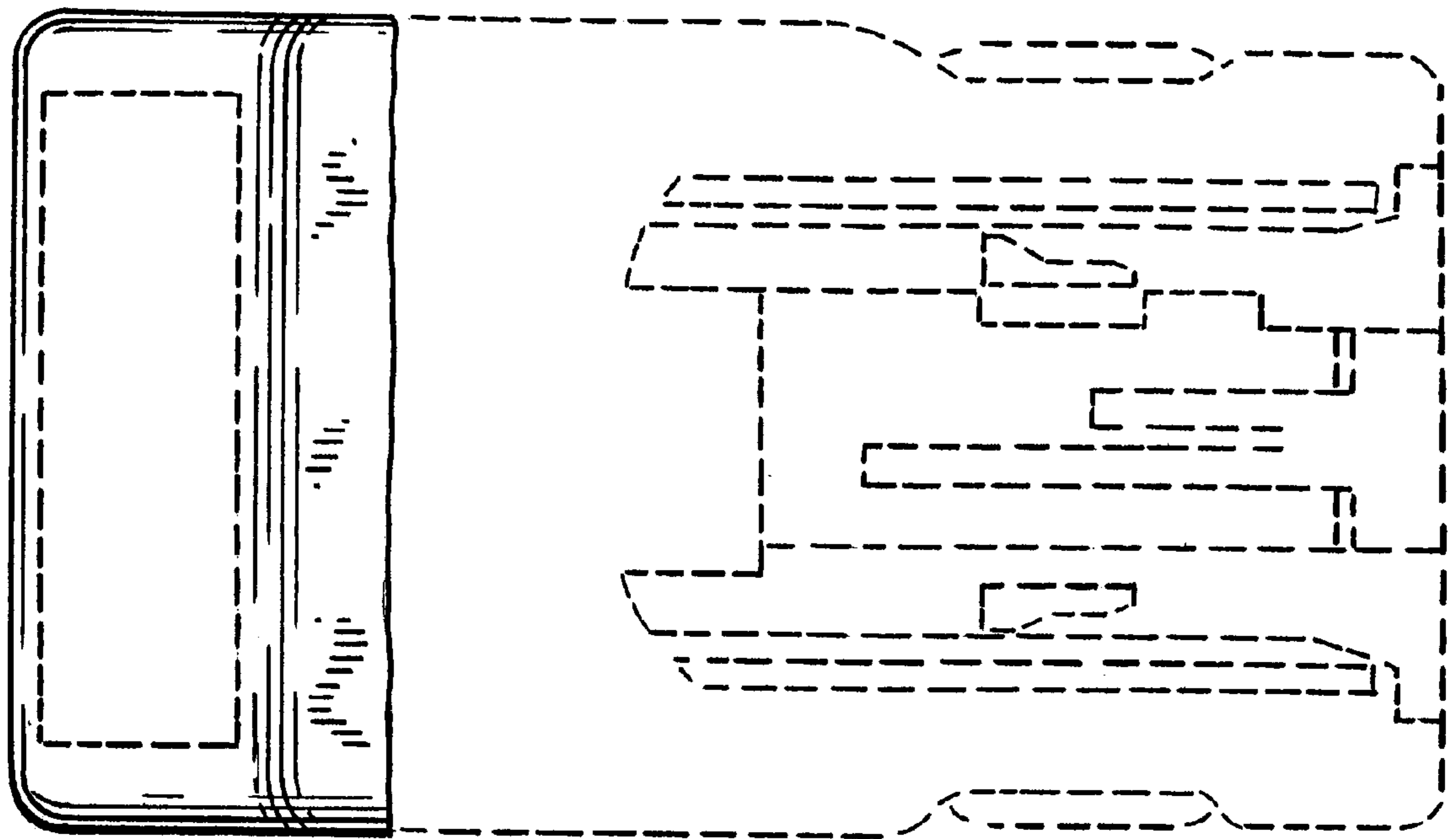


Fig. 3

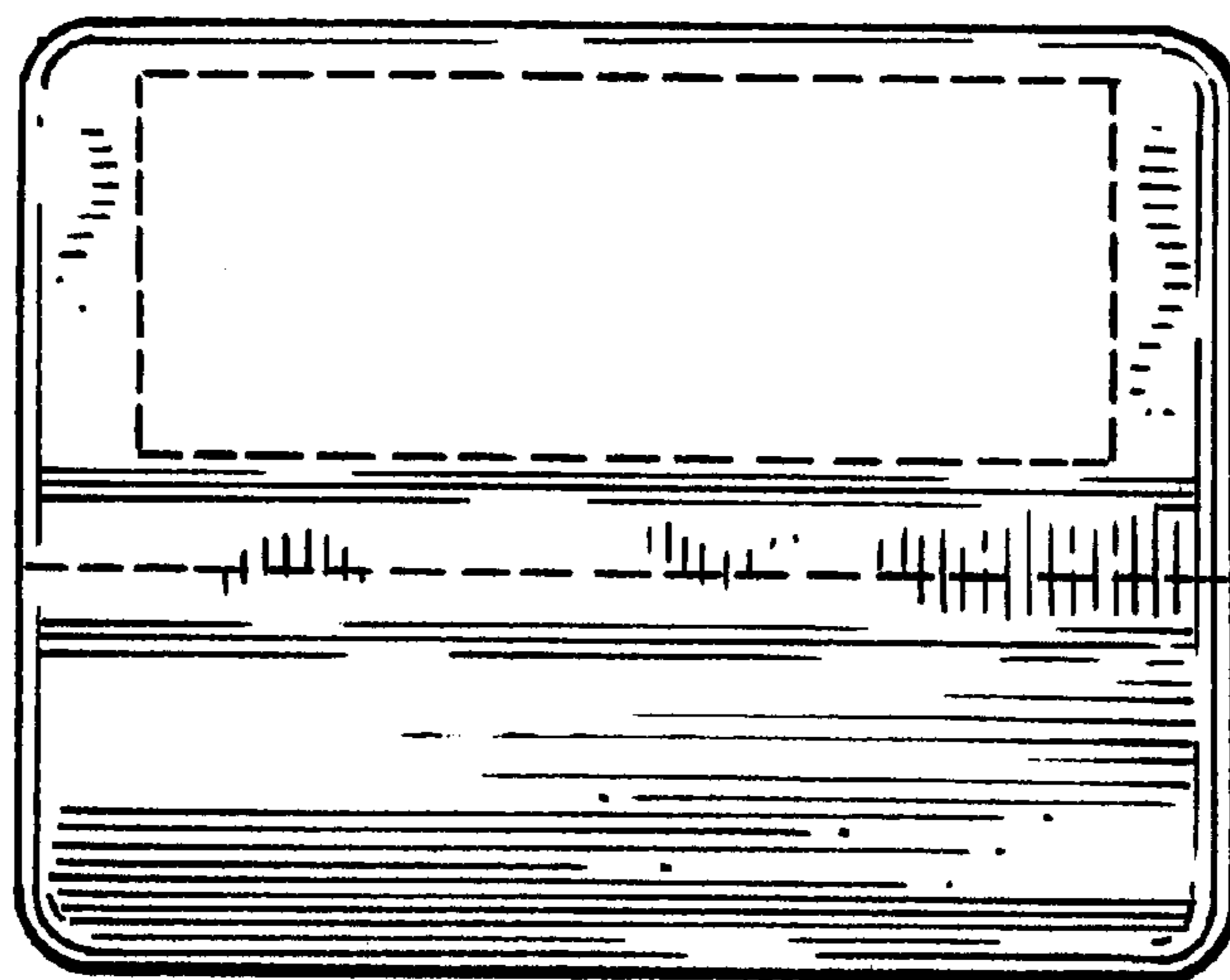


Fig. 4

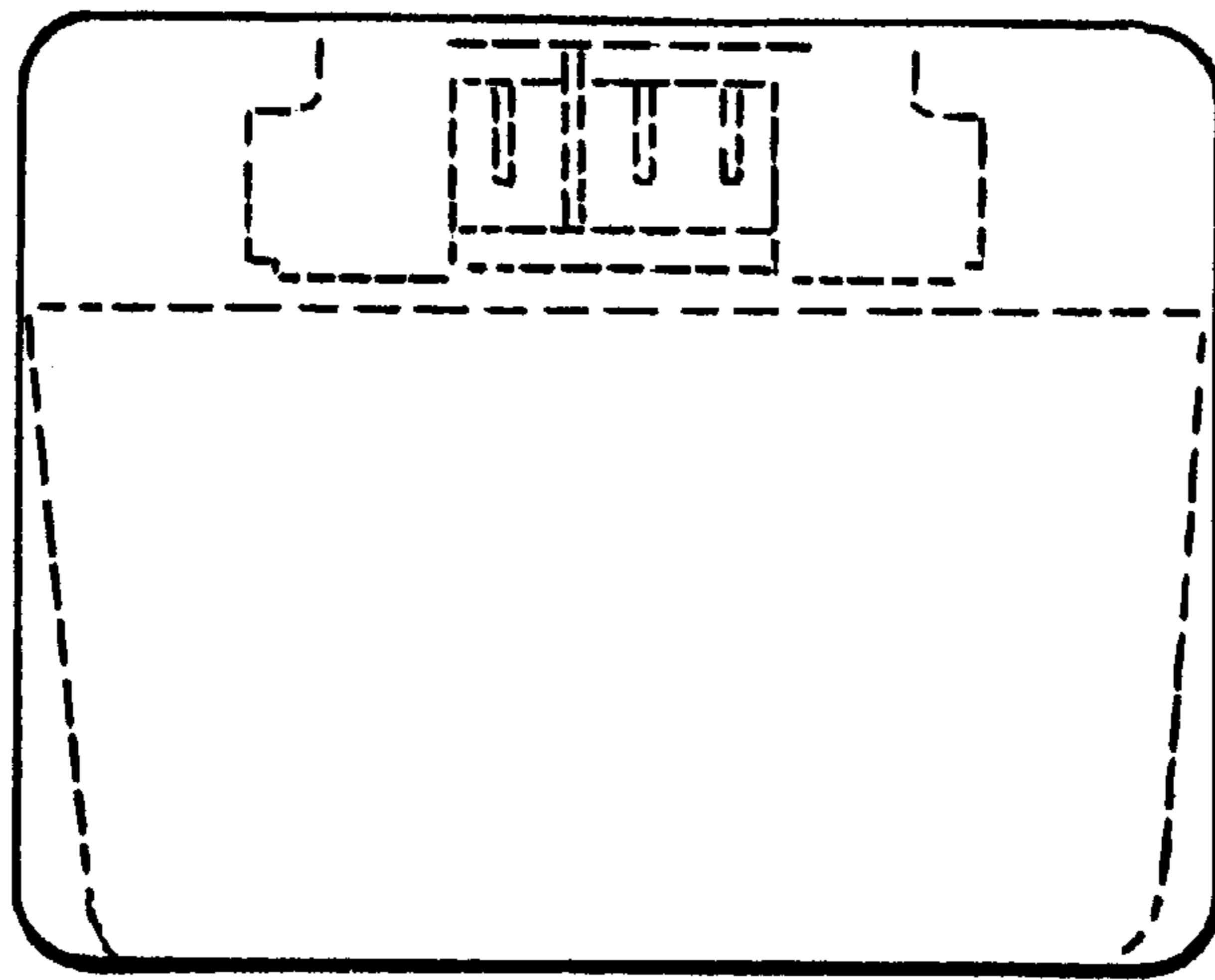


Fig. 5

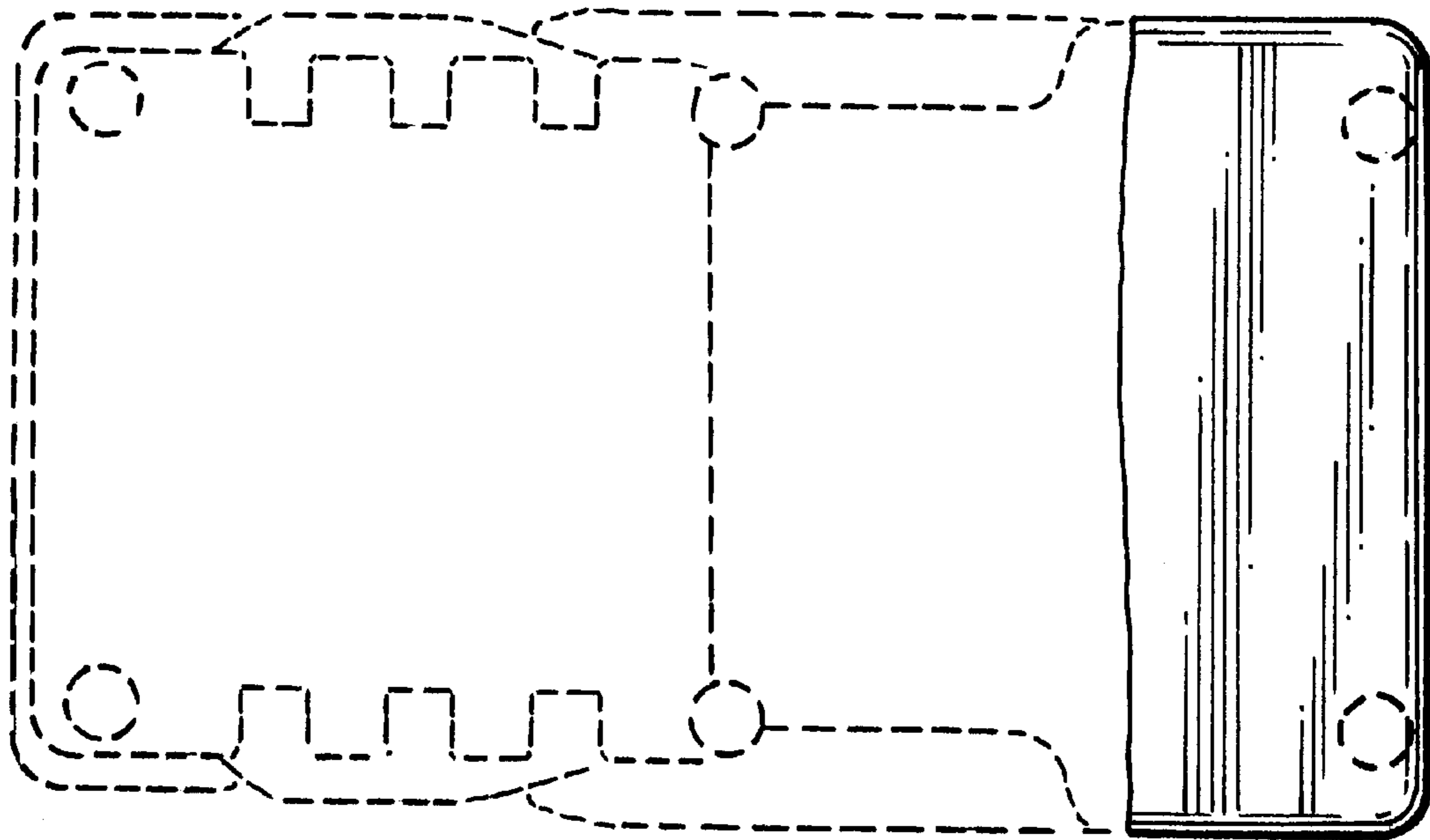


Fig. 6