



US00D484846S

(12) **United States Design Patent**
Graas

(10) **Patent No.:** **US D484,846 S**
(45) **Date of Patent:** **** Jan. 6, 2004**

(54) **TIRE TREAD**

(75) Inventor: **Maurice Graas**, Reichlange (LU)

(73) Assignee: **The Goodyear Tire & Rubber Company**, Akron, OH (US)

(**) Term: **14 Years**

(21) Appl. No.: **29/168,082**

(22) Filed: **Sep. 26, 2002**

(51) **LOC (7) Cl.** **12-15**

(52) **U.S. Cl.** **D12/551**

(58) **Field of Search** D12/500, 501,
D12/551, 552, 553, 554, 555, 556; 152/209.1,
209.09, 209.13, 209.25, 209.18

(56) **References Cited**

U.S. PATENT DOCUMENTS

5,131,443	A	*	7/1992	Kuhr et al.	152/209.28
D360,861	S	*	8/1995	Graas et al.	D12/566
D361,967	S	*	9/1995	White	D12/599
D384,012	S	*	9/1997	Kuramochi et al.	D12/566
D390,512	S	*	2/1998	Eromaki	D12/553
D400,140	S	*	10/1998	Graas	D12/552
D414,731	S	*	10/1999	Akiyama et al.	D12/552
D459,290	S	*	6/2002	Weber et al.	D12/551

OTHER PUBLICATIONS

Nokian Hakkapeliitto Q Tire, 2001 Tread Design Guide, 1/201, p. 55. 3/2.*

* cited by examiner

Primary Examiner—Robert M. Spear

(74) *Attorney, Agent, or Firm*—David L. King

(57) **CLAIM**

The ornamental Design for a tire tread, as shown and described.

DESCRIPTION

FIG. 1 is a perspective view of a tire tread showing our new design, it being understood that the pattern repeats uniformly throughout the circumference of the tread;

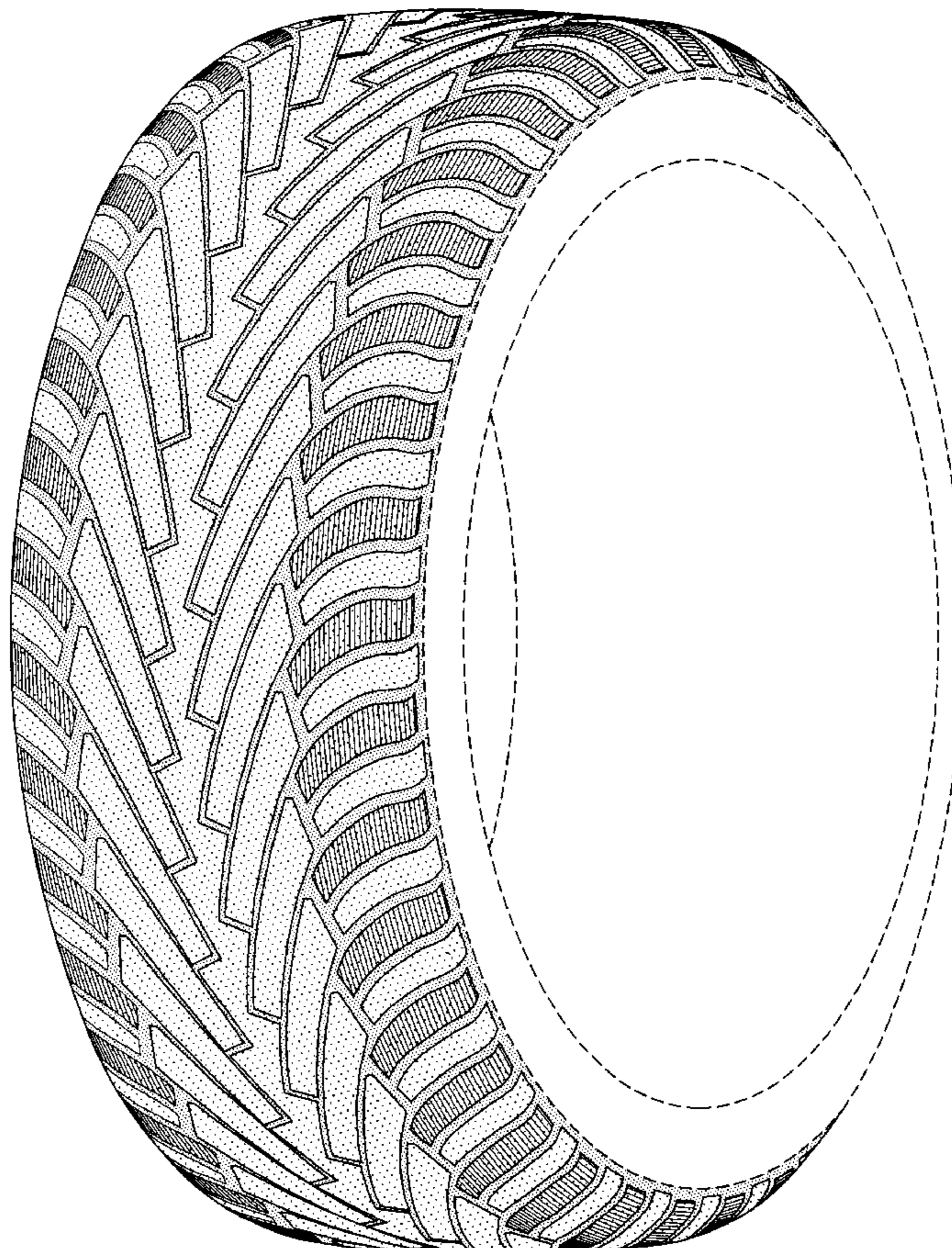
FIG. 2 is a front elevational view thereof;

FIG. 3 is a side elevational view thereof, the opposite side elevational view being identical thereto; and,

FIG. 4 is an enlarged fragmentary perspective view.

In the drawings, the broken lines defining the sidewall and inner bead and the peripheral boundary between the tire tread and the sidewall are for illustrative purposes only and form no part of the claimed design.

1 Claim, 4 Drawing Sheets



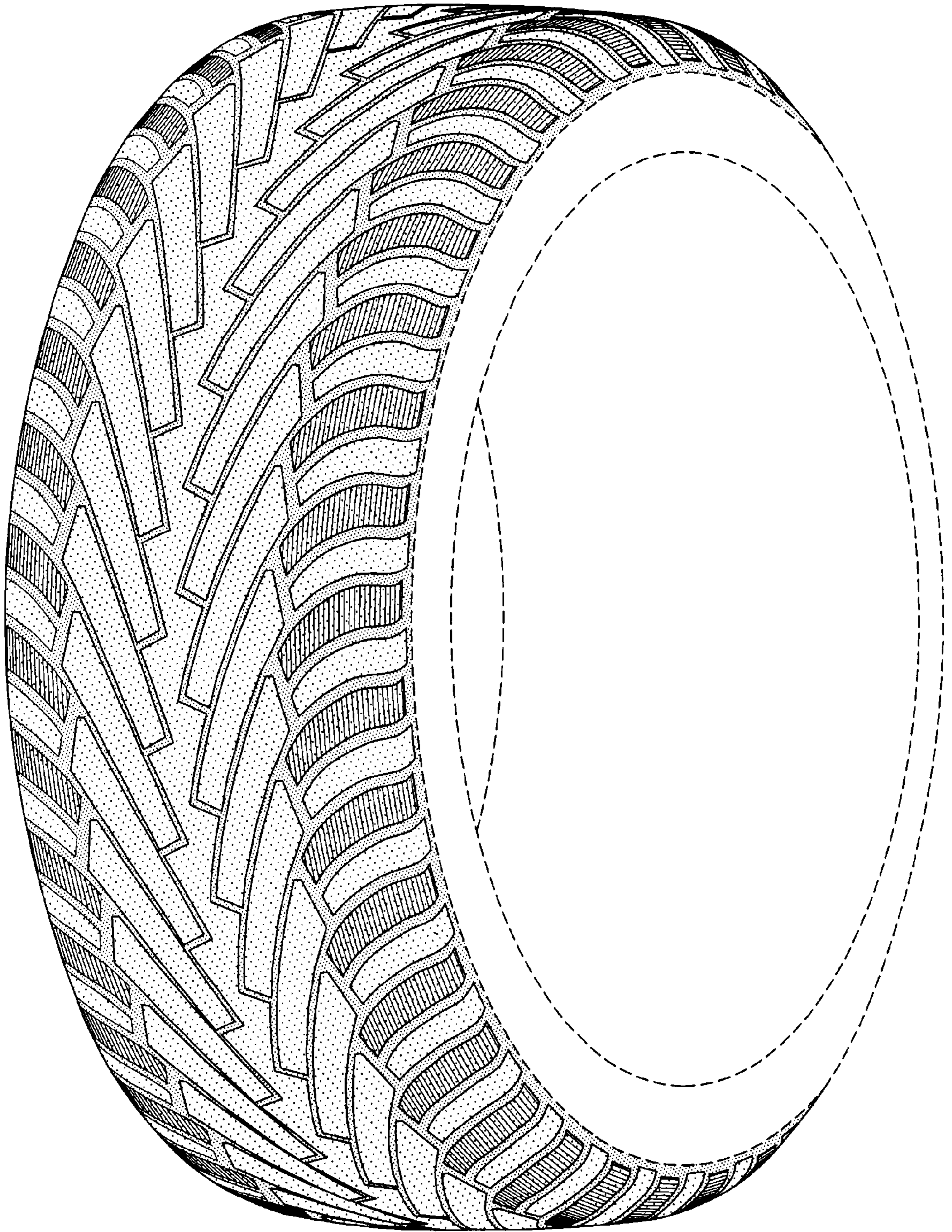


FIG-1

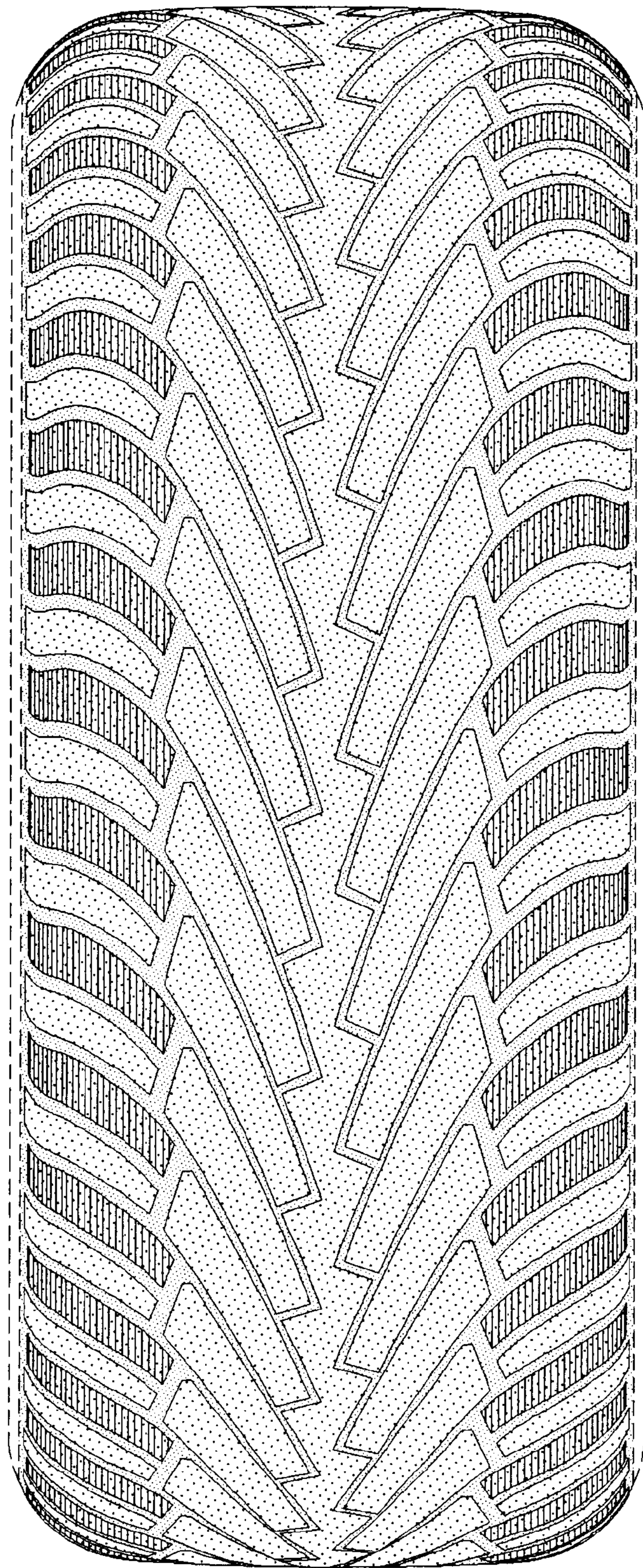


FIG-2

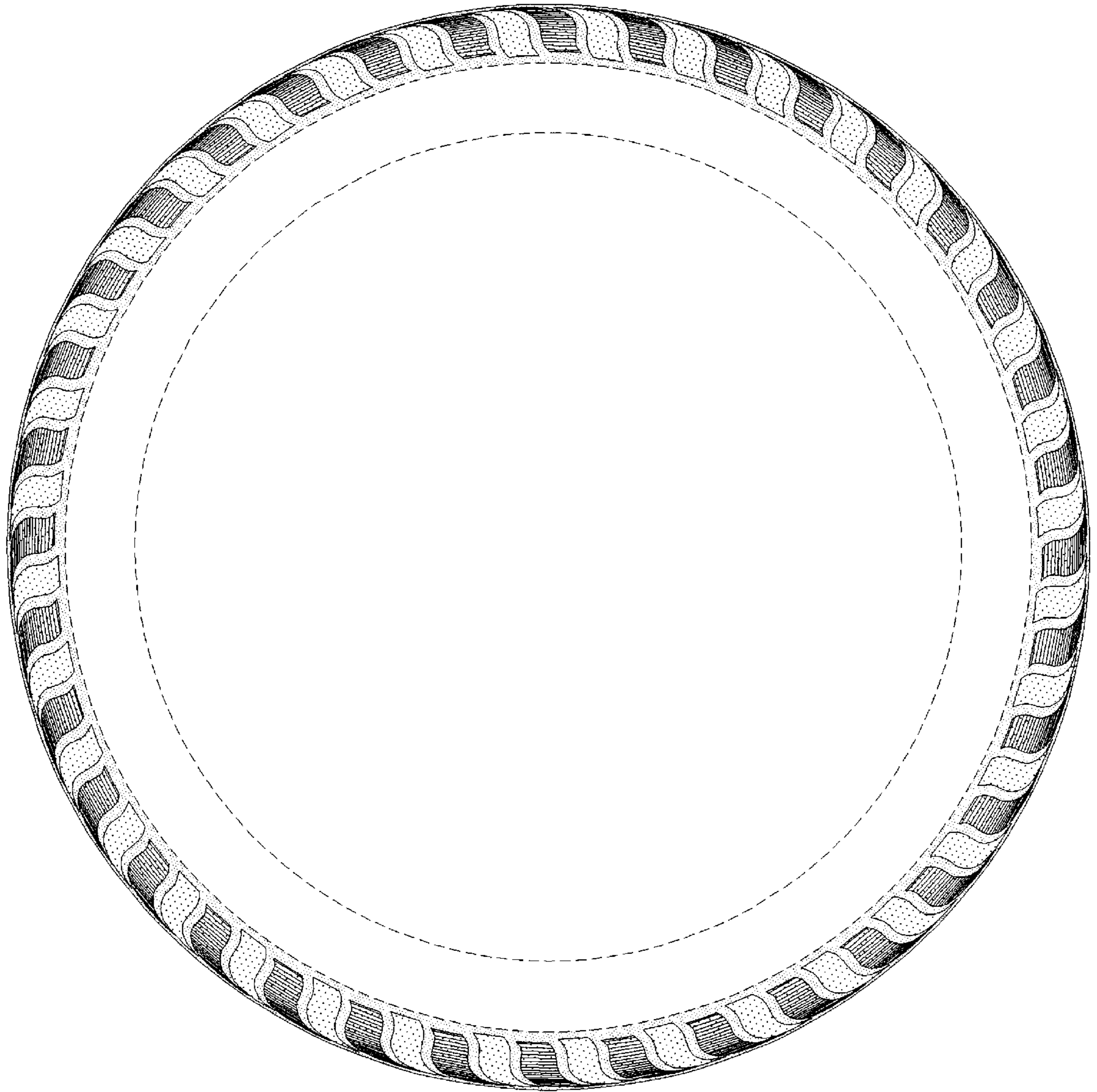


FIG-3

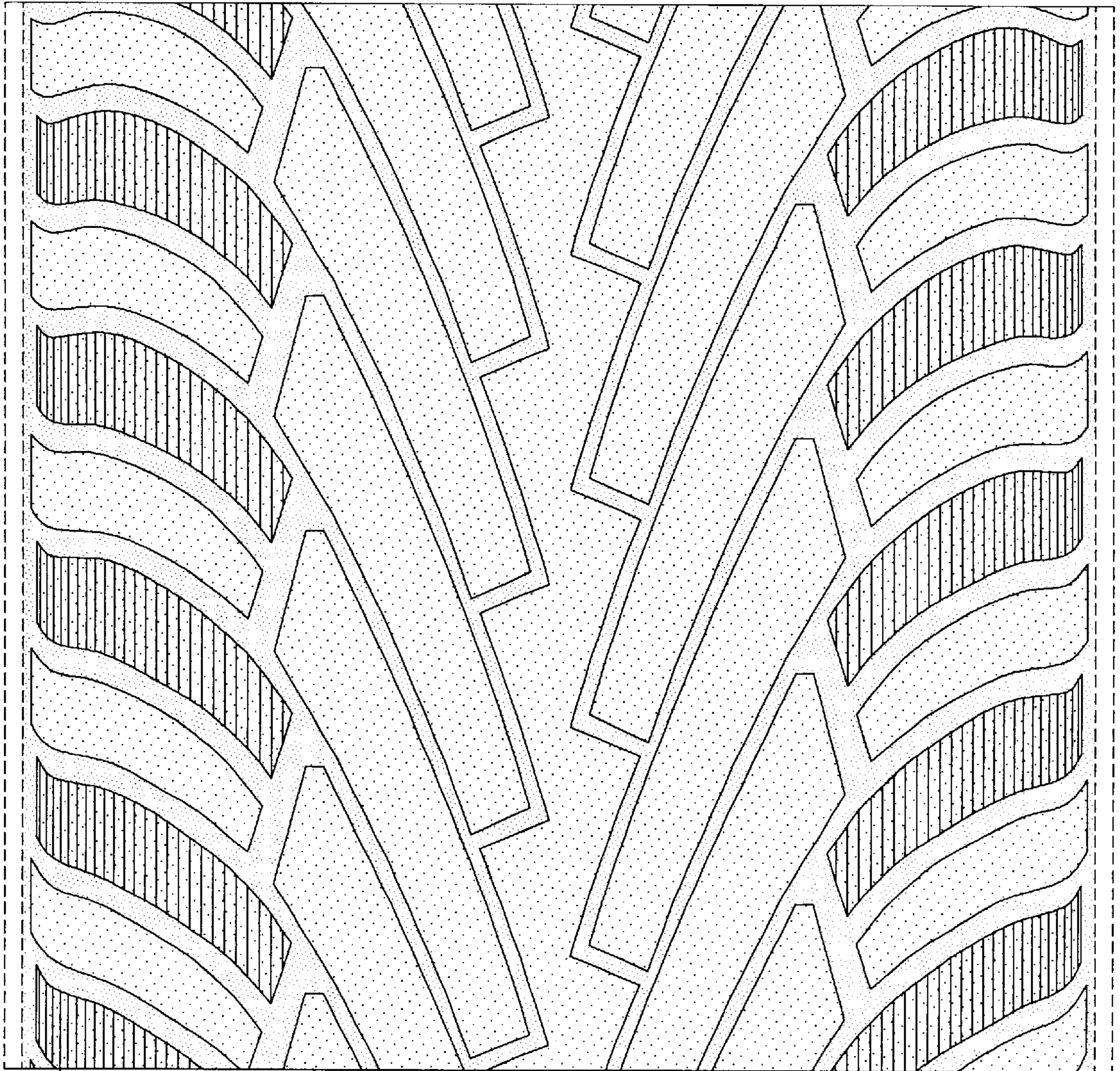


FIG-4