



US00D484845S

(12) **United States Design Patent**
Takahashi et al.

(10) **Patent No.:** **US D484,845 S**

(45) **Date of Patent:** **** Jan. 6, 2004**

(54) **AUTOMOBILE TIRE**

JP 1071535 3/2000

(75) Inventors: **Toshihiko Takahashi**, Osaka (JP);
Asuka Nakamura, Osaka (JP)

OTHER PUBLICATIONS

Yokohama Parada Tire, 2001 Tread Design Guide, Jan. 2001, p. 74. 1/2.*

(73) Assignee: **Toyo Tire & Rubber Co., Ltd.**,
Osaka-fu (JP)

* cited by examiner

(**) Term: **14 Years**

Primary Examiner—Robert M. Spear
(74) *Attorney, Agent, or Firm*—Merchant & Gould, P.C.

(21) Appl. No.: **29/170,475**

(22) Filed: **Nov. 5, 2002**

(57) **CLAIM**

(30) **Foreign Application Priority Data**

The ornamental design for an automobile tire, as shown and described.

Aug. 28, 2002 (JP) 2002-023091

DESCRIPTION

(51) **LOC (7) Cl.** **12-15**

FIG. 1 represents a front elevational view of an automobile tire of the present invention.

(52) **U.S. Cl.** **D12/531**

FIG. 2 represents an oblique perspective view of the automobile tire of FIG. 1.

(58) **Field of Search** D12/514, 515,
D12/517, 518, 519, 523, 527, 528, 531,
532; 152/209.1, 209.8, 209.9

FIG. 3 represents a rear elevational view of the automobile tire of FIG. 1.

(56) **References Cited**

FIG. 4 represents a left side view of the automobile tire of FIG. 1.

U.S. PATENT DOCUMENTS

FIG. 5 represents a right side view of the automobile tire of FIG. 1; and,

- D382,522 S * 8/1997 Ratliff, Jr. D12/514
- D400,132 S * 10/1998 Maxwell D12/514
- D408,000 S * 4/1999 Otani et al. D12/532
- D409,959 S * 5/1999 Maxwell D12/514

FIG. 6 represents an enlarged view of the front elevational view of the automobile tire of FIG. 1, illustrating a portion of the automobile tire of FIG. 1.

FOREIGN PATENT DOCUMENTS

JP 1026735 9/1998

1 Claim, 6 Drawing Sheets

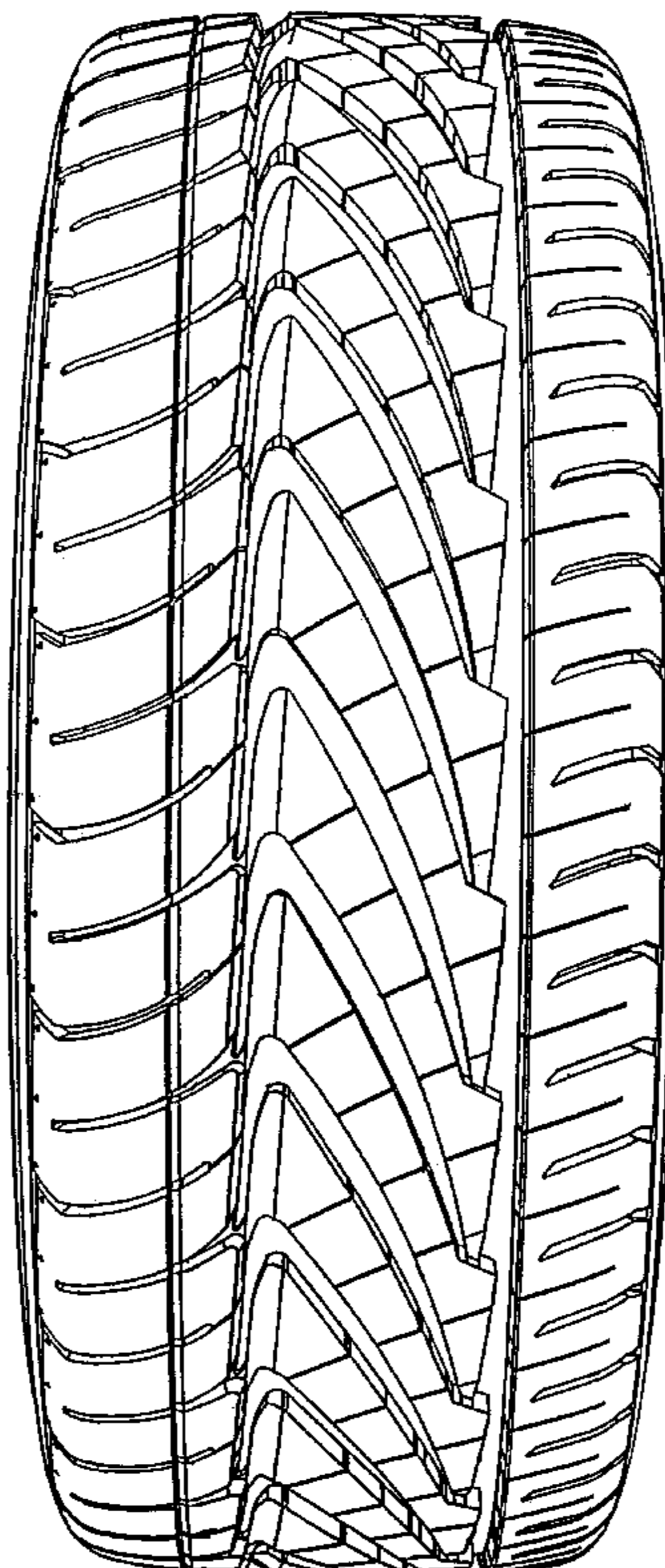


FIG. 1

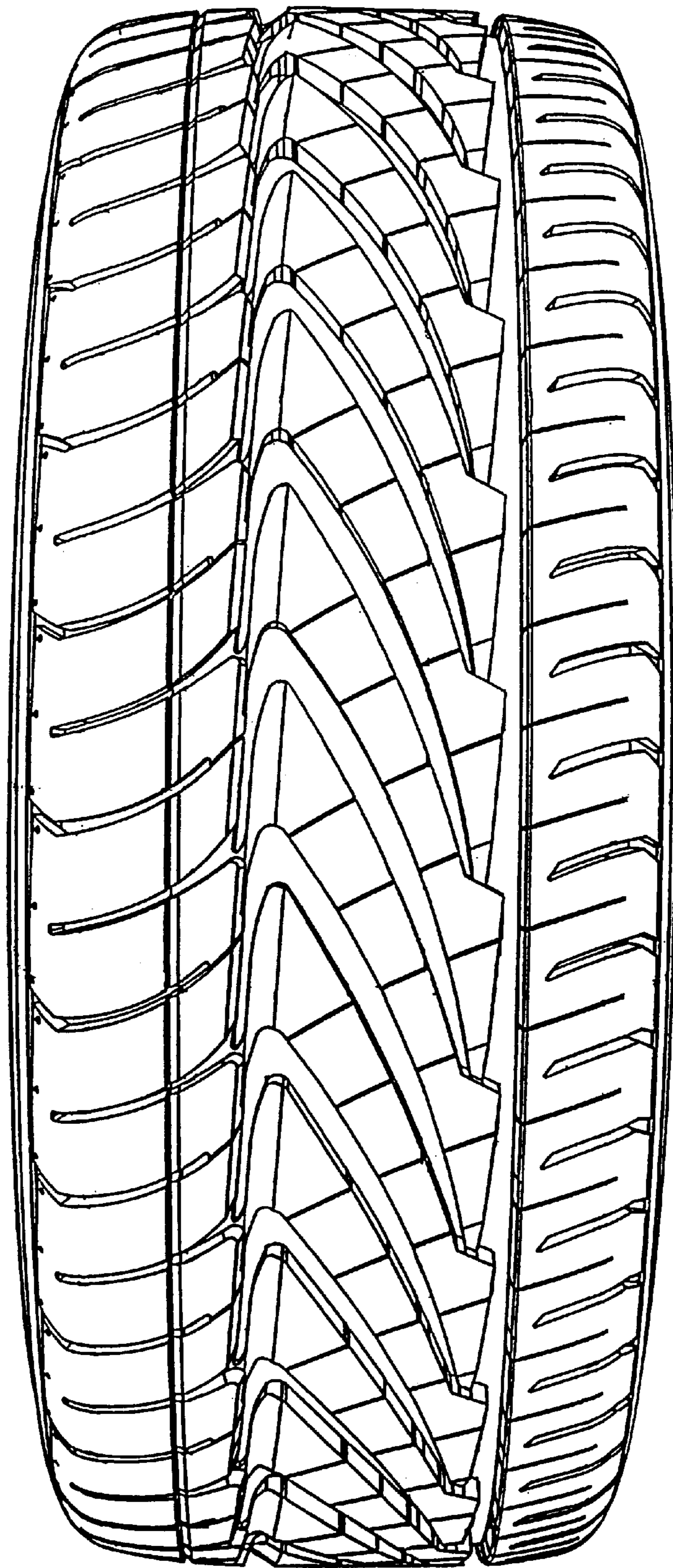


FIG.2

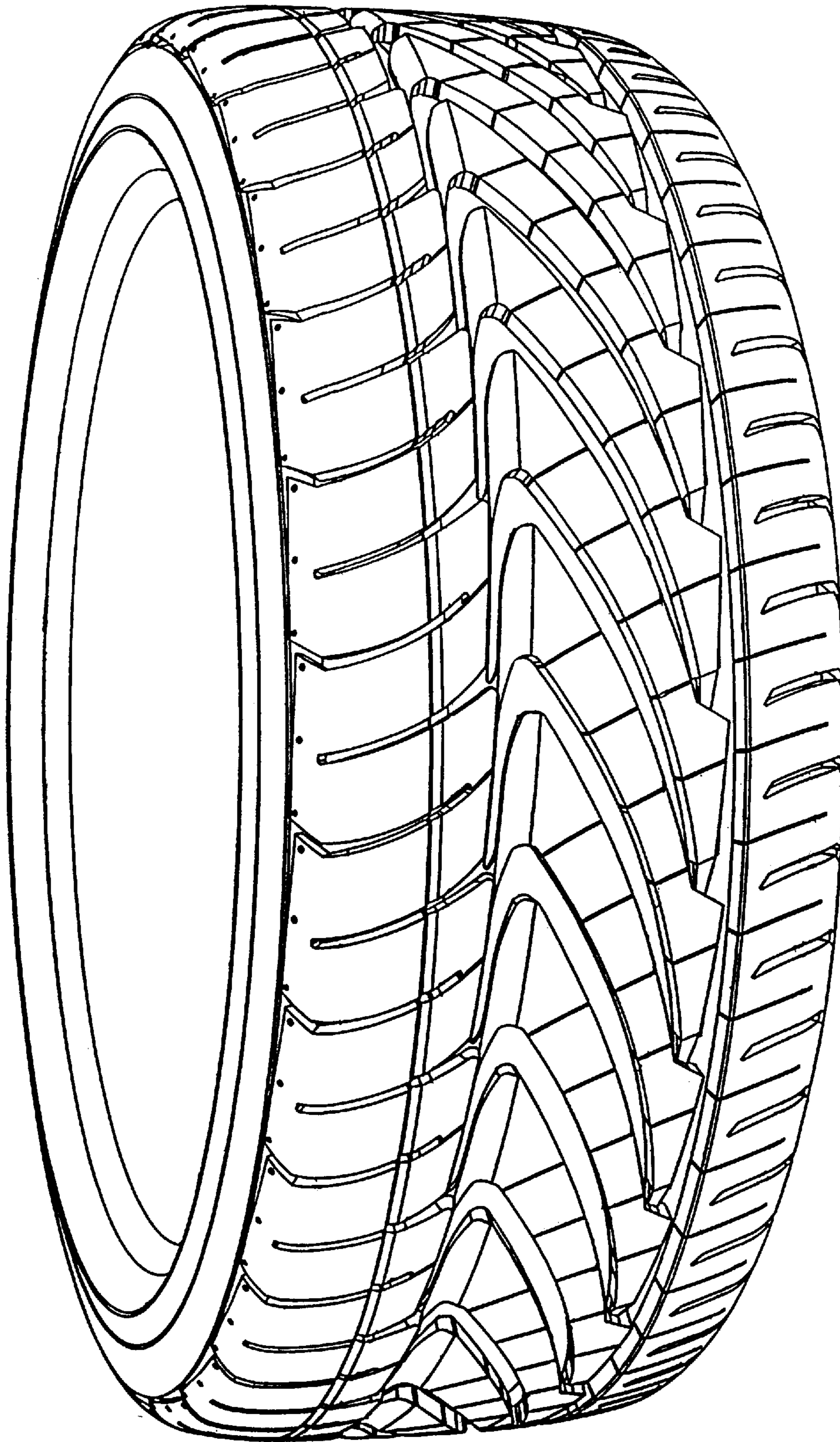


FIG. 3

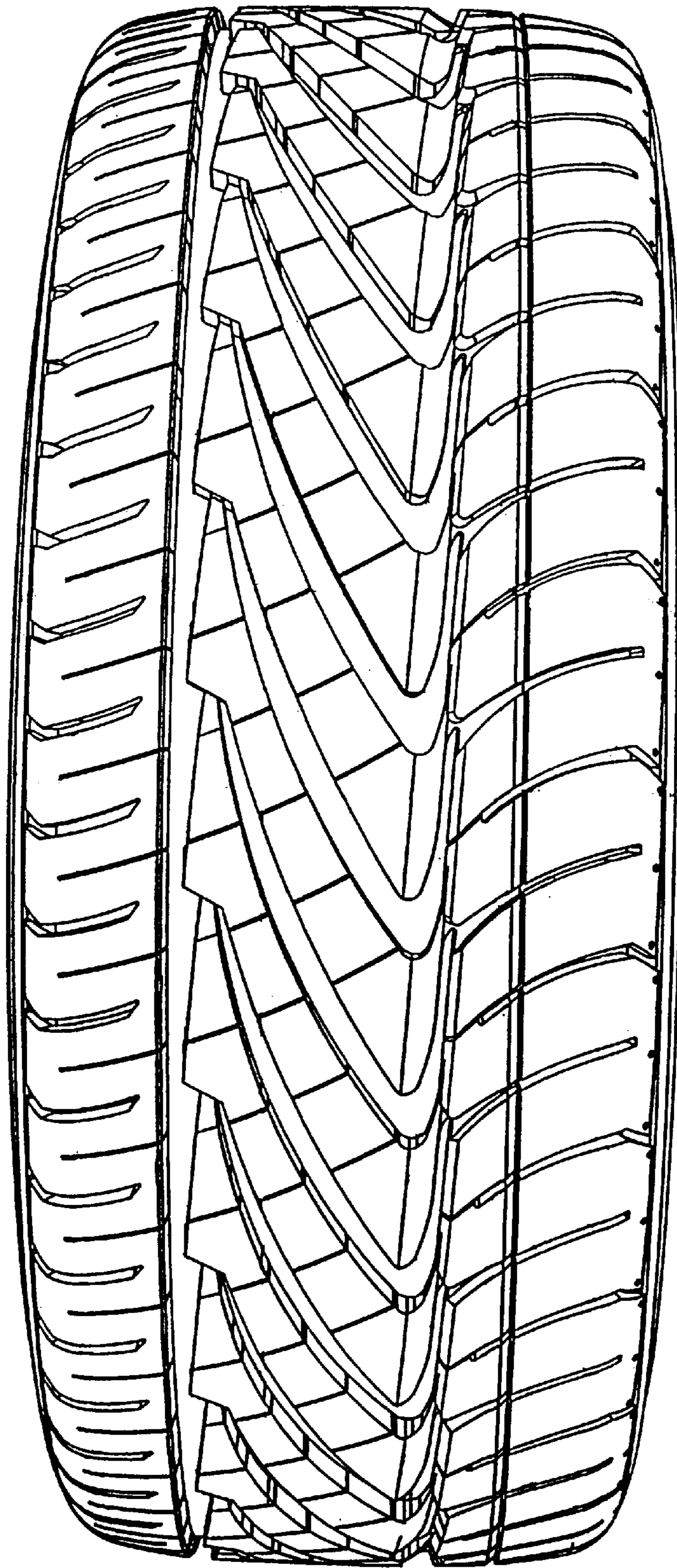


FIG.4

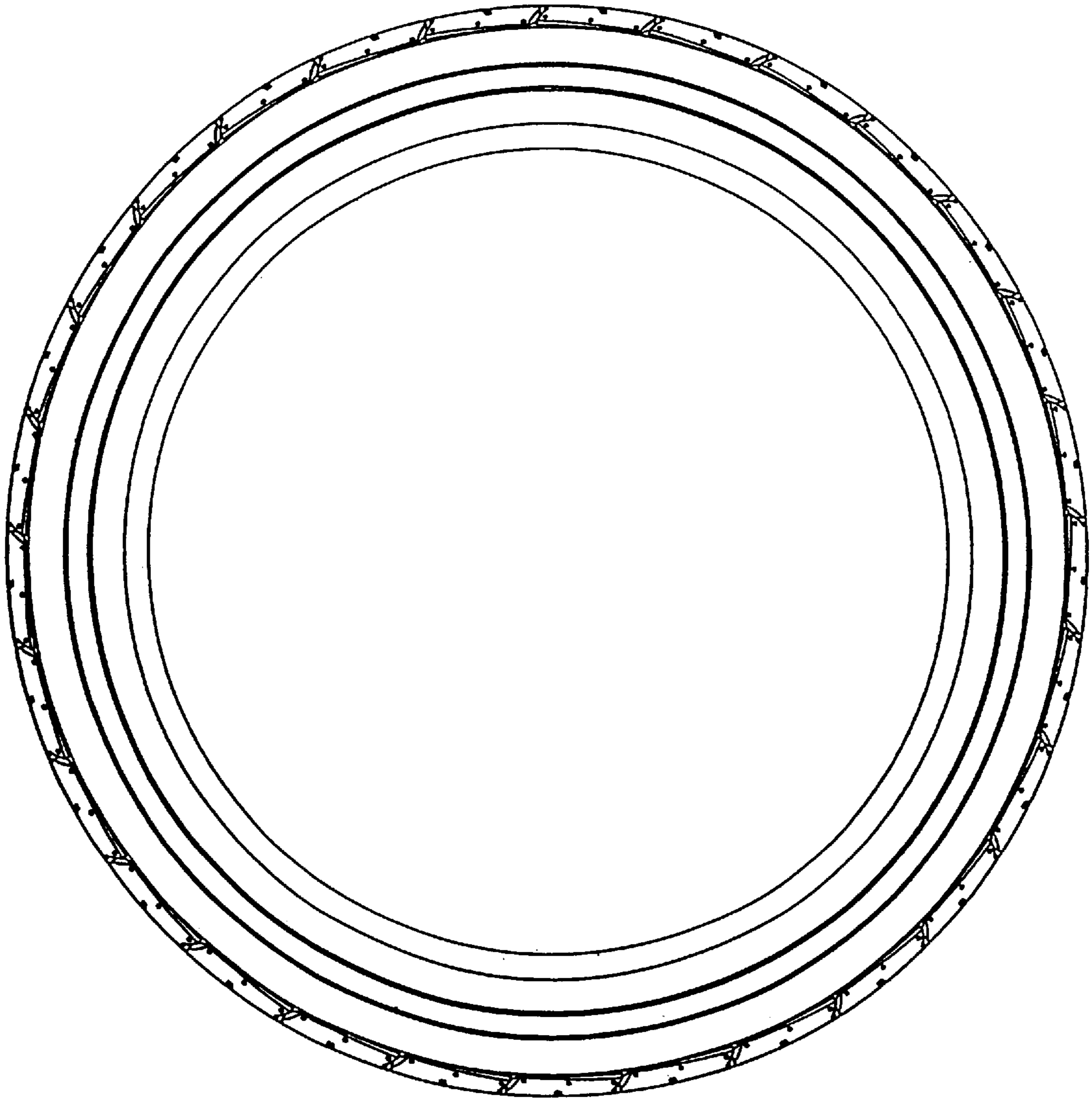


FIG.5

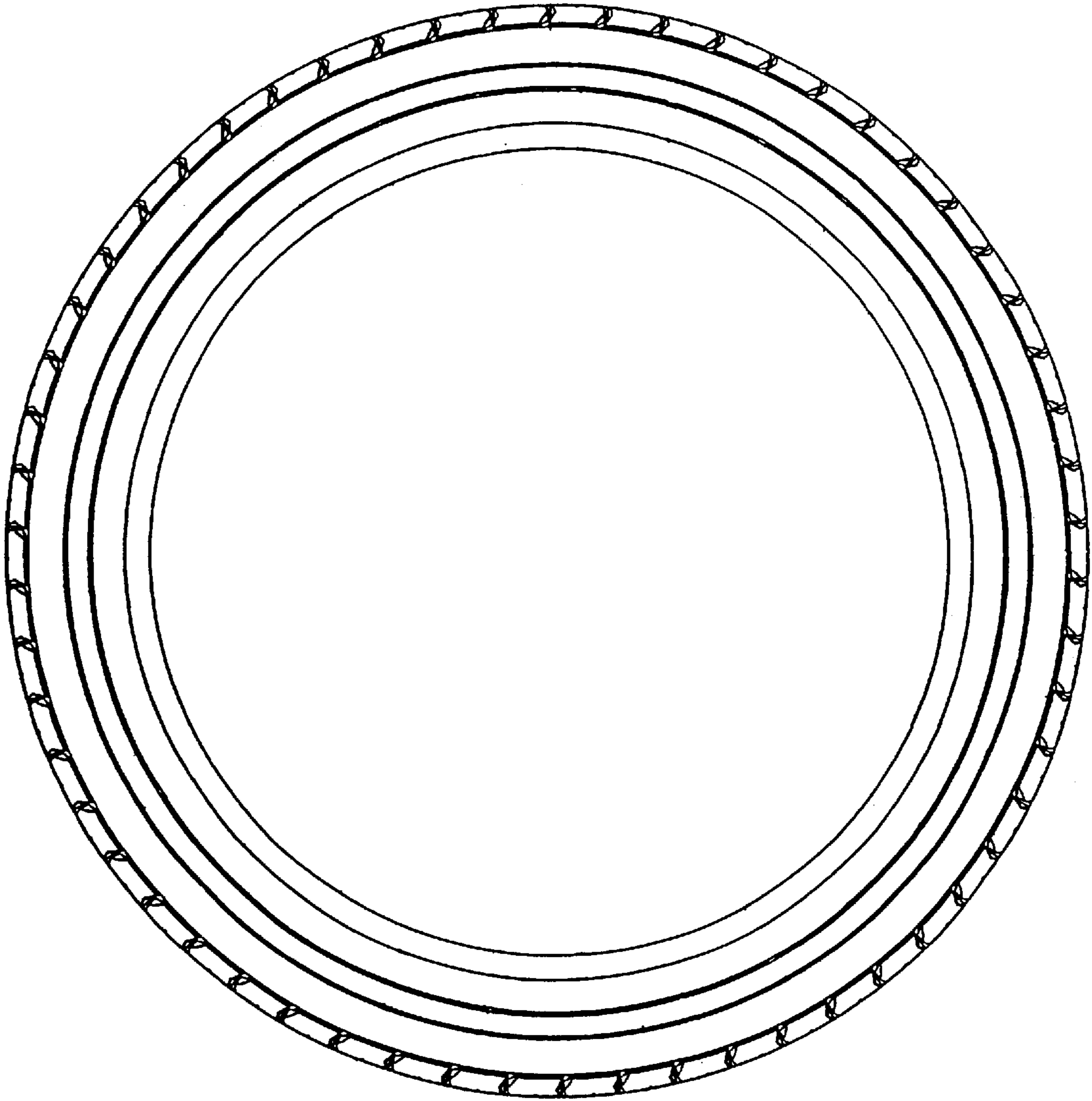


FIG. 6

