



US00D484843S

(12) **United States Design Patent**  
**Wyszogrod**

(10) **Patent No.:** **US D484,843 S**

(45) **Date of Patent:** **\*\* Jan. 6, 2004**

(54) **STORAGE TRAY**

(75) **Inventor:** **Jose Wyszogrod, Los Angeles, CA (US)**

(73) **Assignee:** **Honda Giken Kogyo Kabushiki Kaisha, Tokyo (JP)**

(\*\*) **Term:** **14 Years**

(21) **Appl. No.:** **29/157,771**

(22) **Filed:** **Mar. 26, 2002**

(51) **LOC (7) Cl.** ..... **12-16**

(52) **U.S. Cl.** ..... **D12/419**

(58) **Field of Search** ..... D12/415, 419,  
D12/424-426.1, 92; D7/505, 553.1-553.5,  
701, 601-602, 619, 707-708; 297/135;  
180/90; 108/25-26, 44-45; 296/37.13-37.16,  
37.1, 37.8; 224/539, 542, 275, 277-278,  
926

(56) **References Cited**

**U.S. PATENT DOCUMENTS**

D368,889 S \* 4/1996 Mankey et al. .... D12/419

D427,139 S \* 6/2000 Noval ..... D12/419  
D432,491 S \* 10/2000 Sacco et al. .... D12/419  
D456,760 S \* 5/2002 Hoy ..... D12/419  
D474,733 S \* 5/2003 Webb ..... D12/419

\* cited by examiner

*Primary Examiner*—Stacia Cadmus

(74) *Attorney, Agent, or Firm*—Banner & Witcoff, Ltd.

(57) **CLAIM**

The ornamental design for a storage tray, as shown and described.

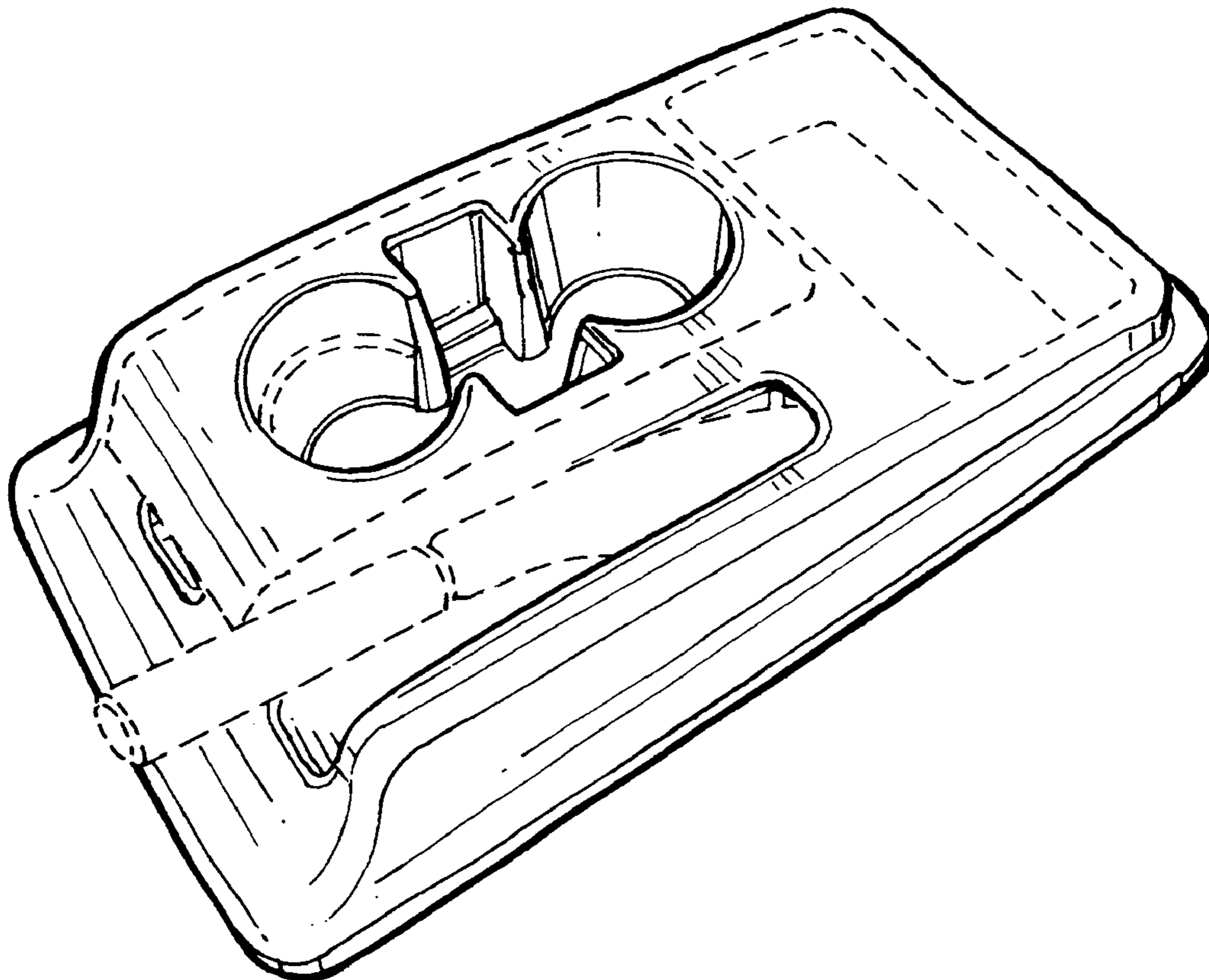
**DESCRIPTION**

FIG. 1 is a forward left-side perspective view of the storage tray showing my new design;

FIG. 2 is a rearward right-side perspective view thereof; and, FIG. 3 is a top view thereof.

The broken line showings of the lever handle, the rear storage area, the border around the front storage area, and the ledge located within the forward portion of the front storage area are for illustrative purposes only and form no part of the claimed design.

**1 Claim, 1 Drawing Sheet**



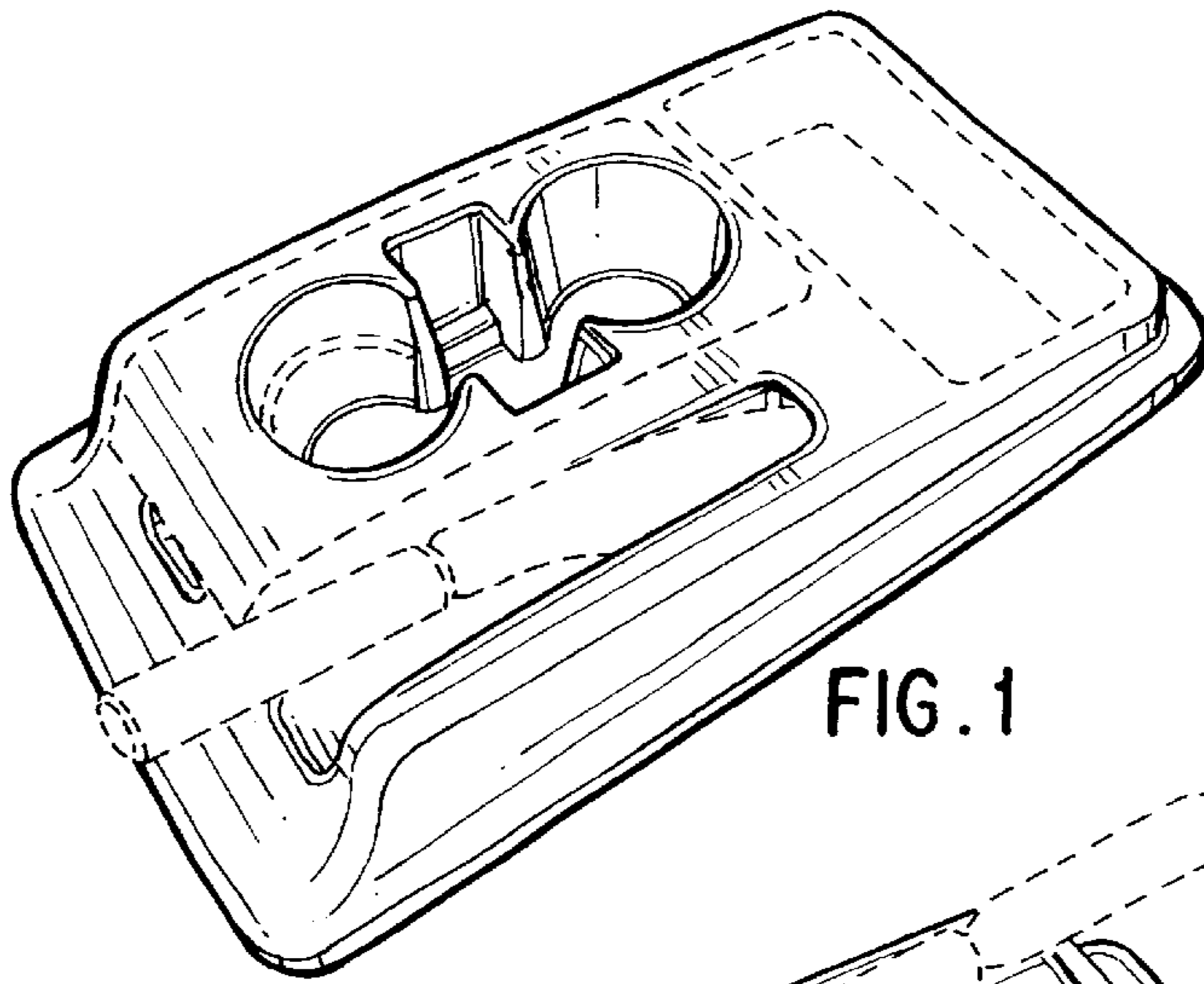


FIG. 1

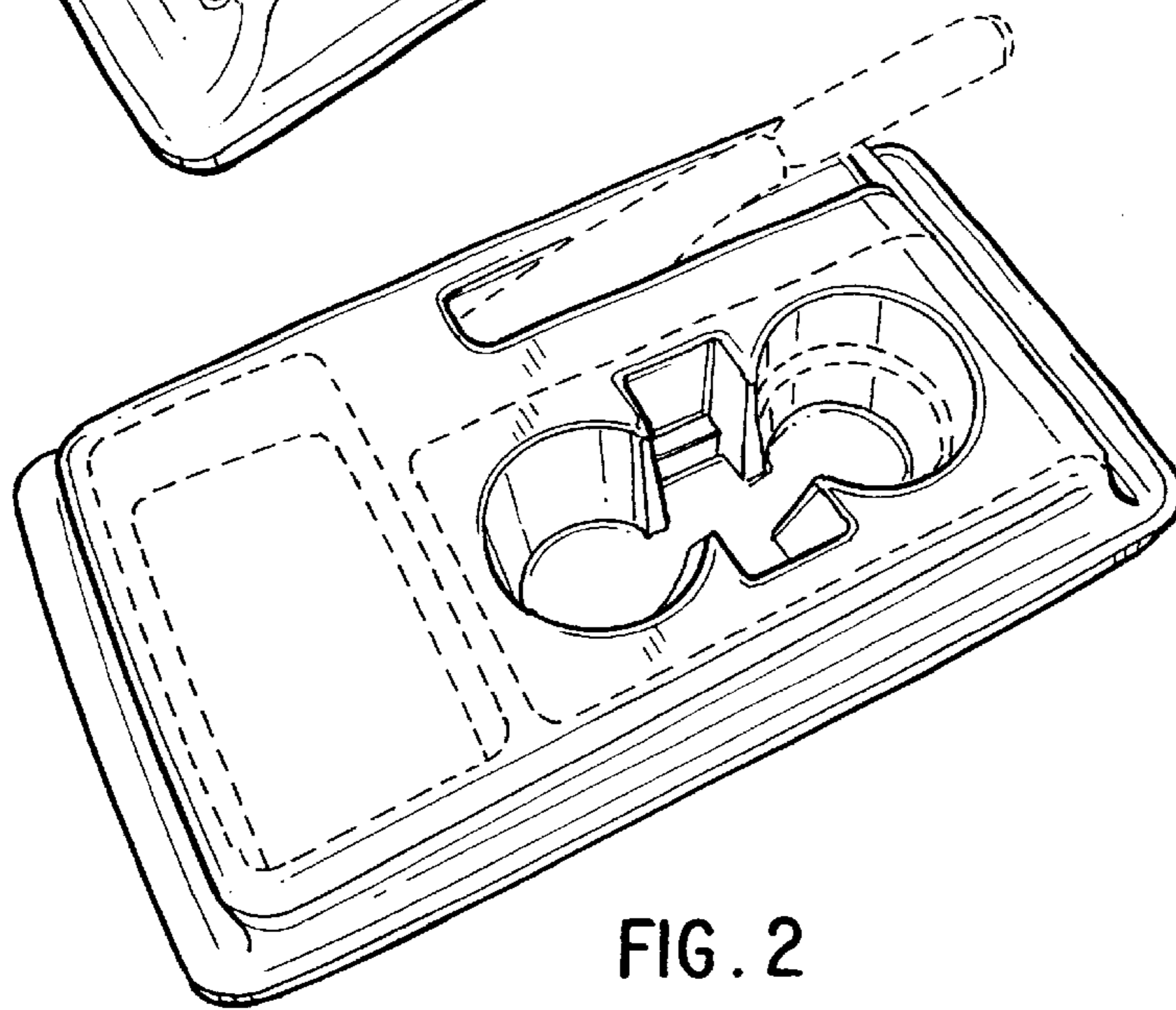


FIG. 2

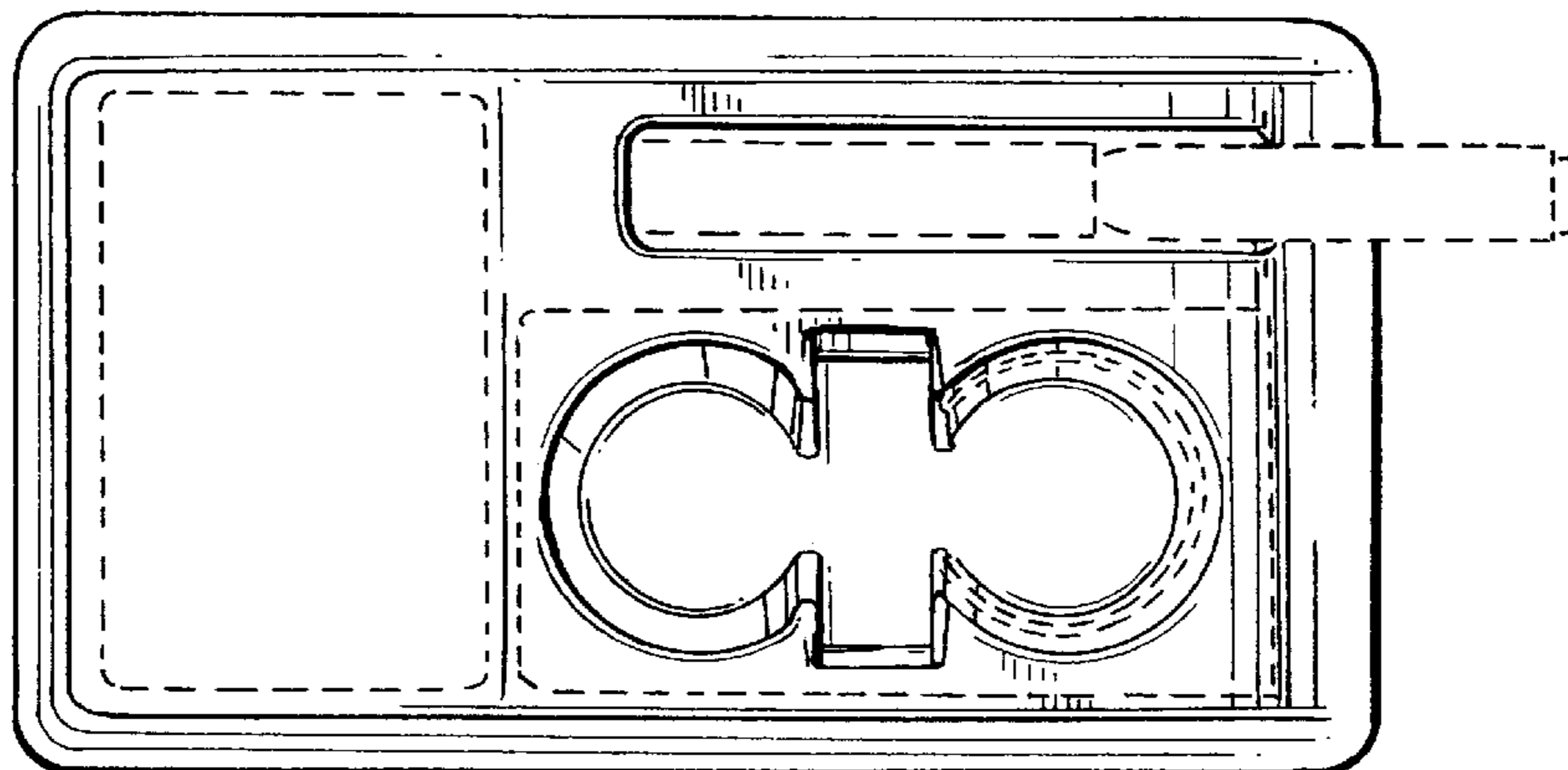


FIG. 3