



US00D484840S

(12) **United States Design Patent**
Wartono

(10) **Patent No.:** **US D484,840 S**
(45) **Date of Patent:** **** Jan. 6, 2004**

- (54) **VEHICLE WHEEL**
- (75) Inventor: **Wartono**, Jawa Tengah (ID)
- (73) Assignee: **PT Prima Alloy Steel Universal**,
Sidoarjo (ID)
- (**) Term: **14 Years**
- (21) Appl. No.: **29/178,342**
- (22) Filed: **Mar. 24, 2003**
- (51) **LOC (7) Cl.** **12-16**
- (52) **U.S. Cl.** **D12/209**
- (58) **Field of Search** D12/204-211;
301/37.101, 64.101, 65

- D442,535 S * 5/2001 Lotson D12/209
- D455,696 S * 4/2002 Foose D12/209
- D460,936 S * 7/2002 Nakazawa et al. D12/209
- D461,443 S * 8/2002 Fitzgerald D12/211

* cited by examiner

Primary Examiner—Stacia Cadmus
(74) *Attorney, Agent, or Firm*—Fulwider Patton Lee & Utecht, LLP

(57) **CLAIM**

The ornamental design for the “vehicle wheel”, as shown and described.

DESCRIPTION

FIG. 1 is a perspective view of the vehicle wheel showing my new design;

FIG. 2 is a front elevational view thereof; and,

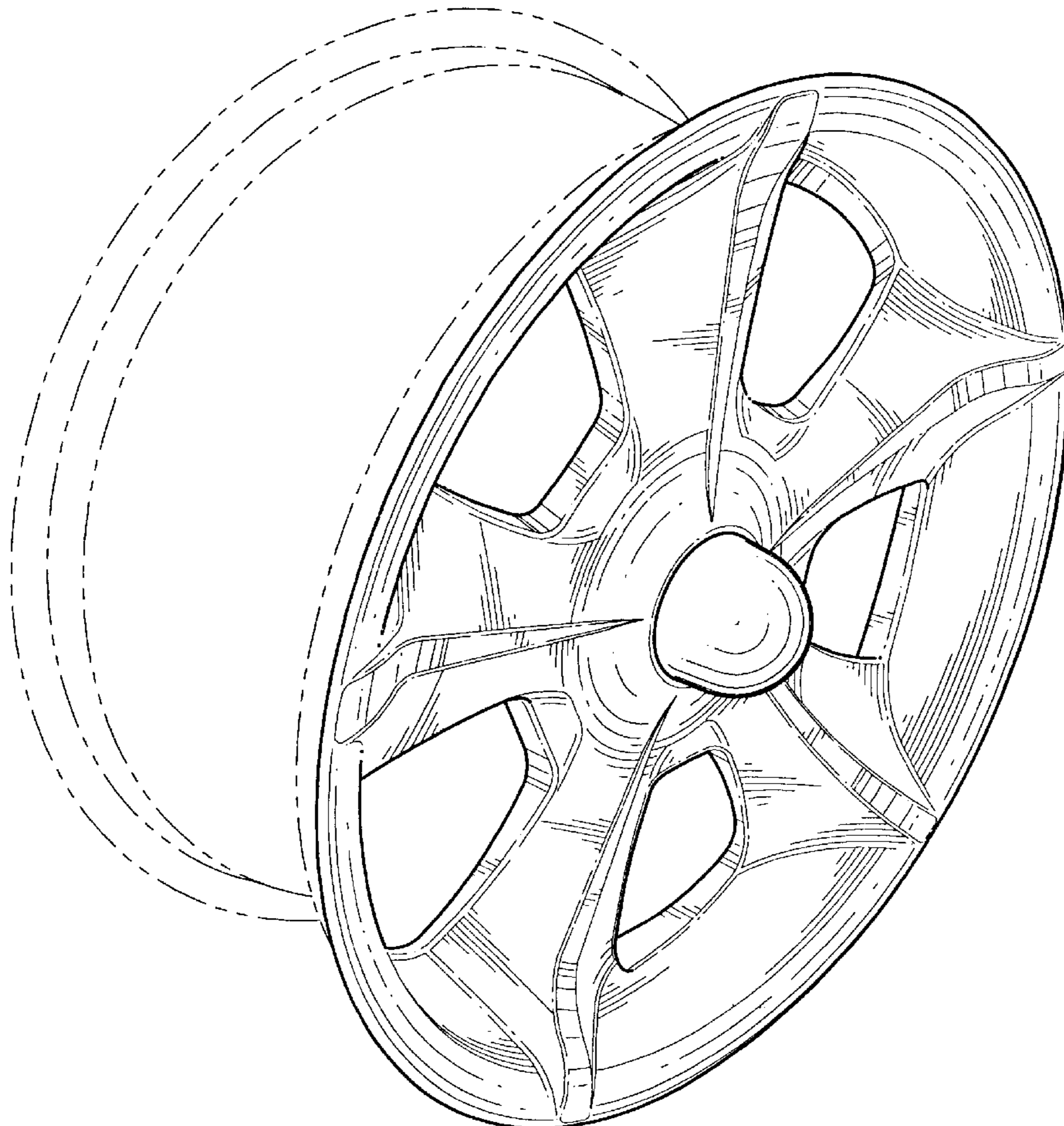
FIG. 3 is a cross-sectional view taken along the line 3—3 of FIG. 2.

The broken line showing of environment is for illustrative purposes only and forms no part of the claimed design.

(56) **References Cited**
U.S. PATENT DOCUMENTS

- D403,291 S * 12/1998 Cullen D12/211
- D430,524 S * 9/2000 Noriega D12/209
- D431,807 S * 10/2000 Fitzgerald D12/211
- D436,070 S * 1/2001 Lee D12/209
- D436,340 S * 1/2001 Kaucher D12/209

1 Claim, 3 Drawing Sheets



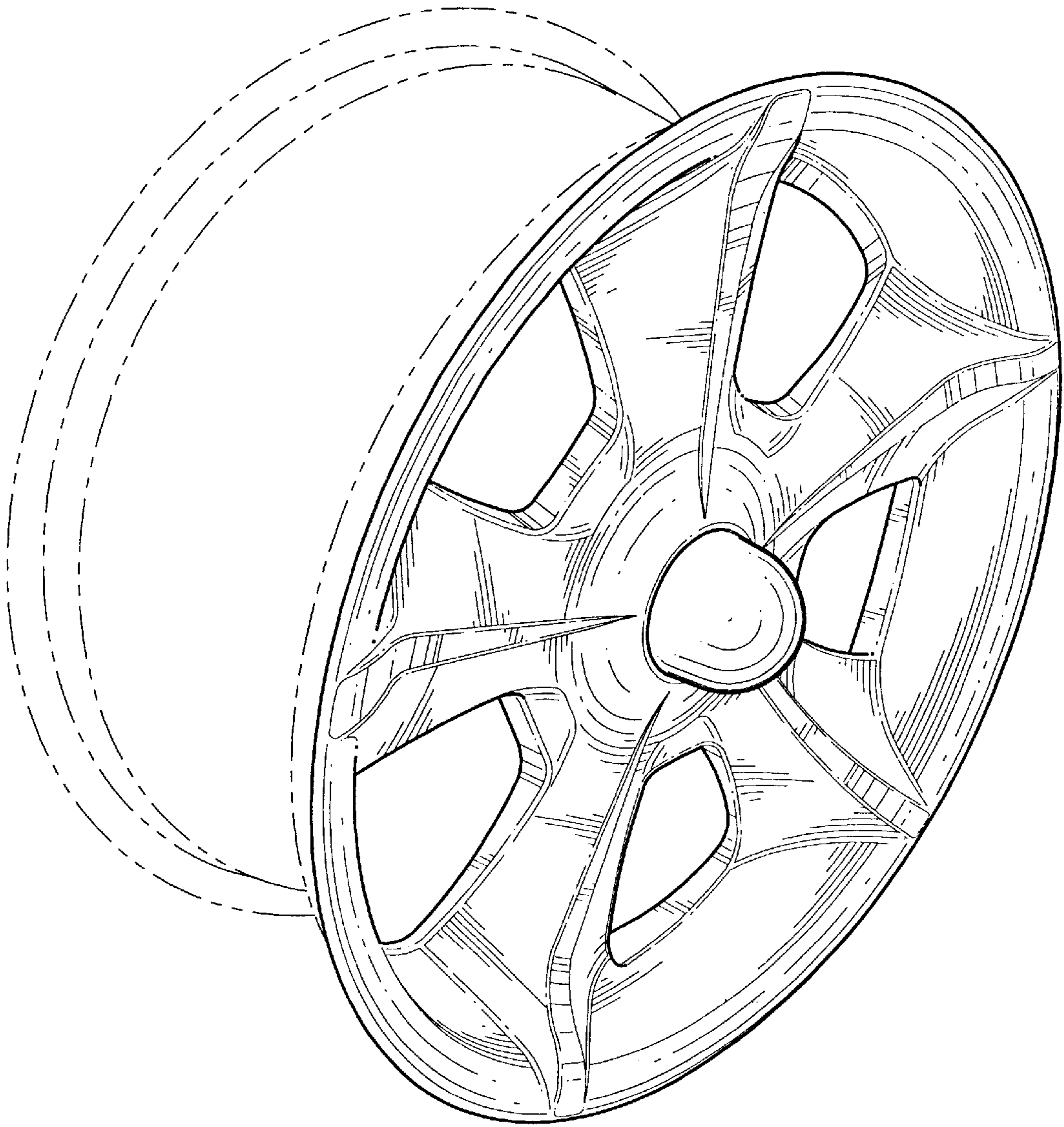


FIG. 1

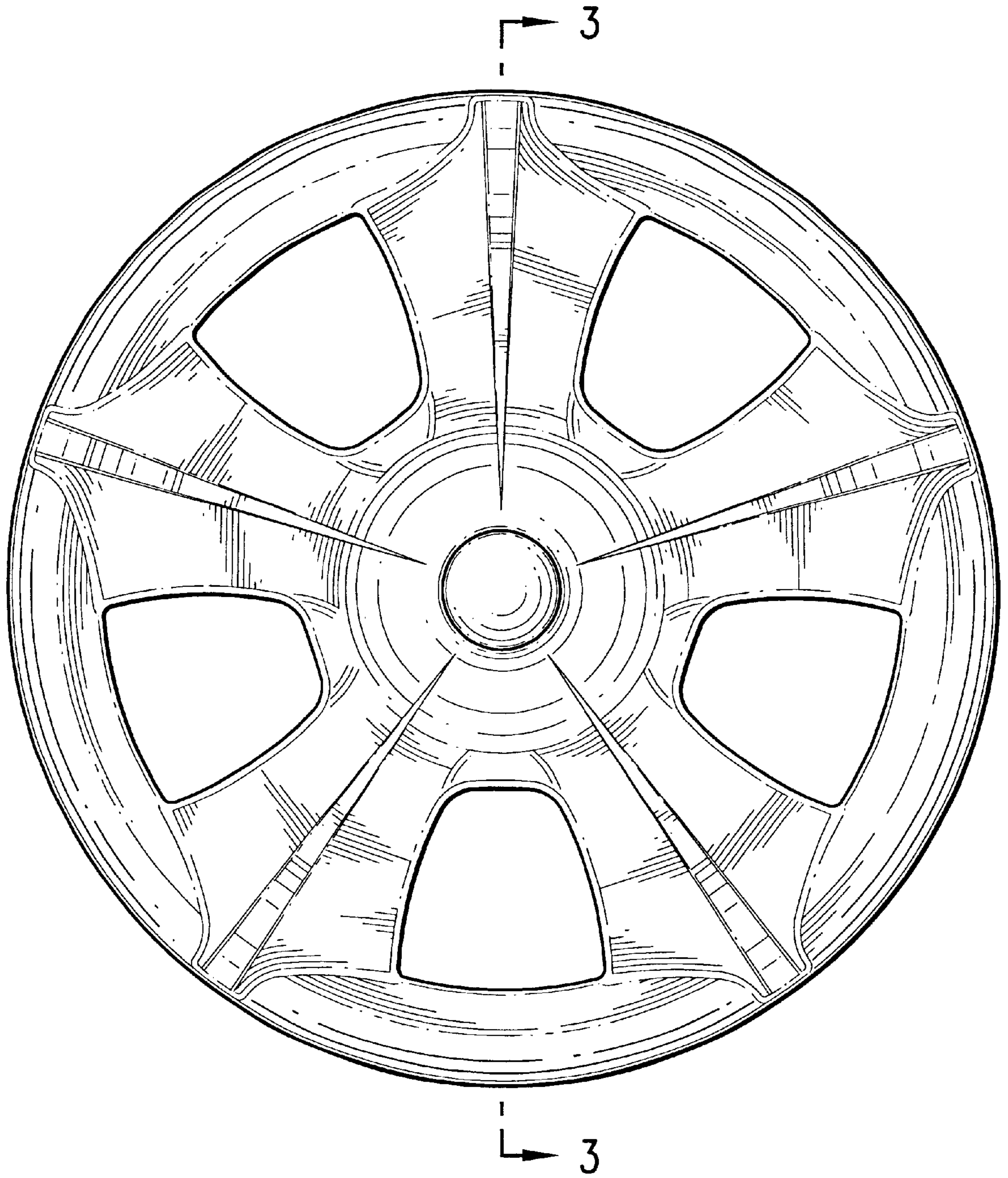


FIG. 2

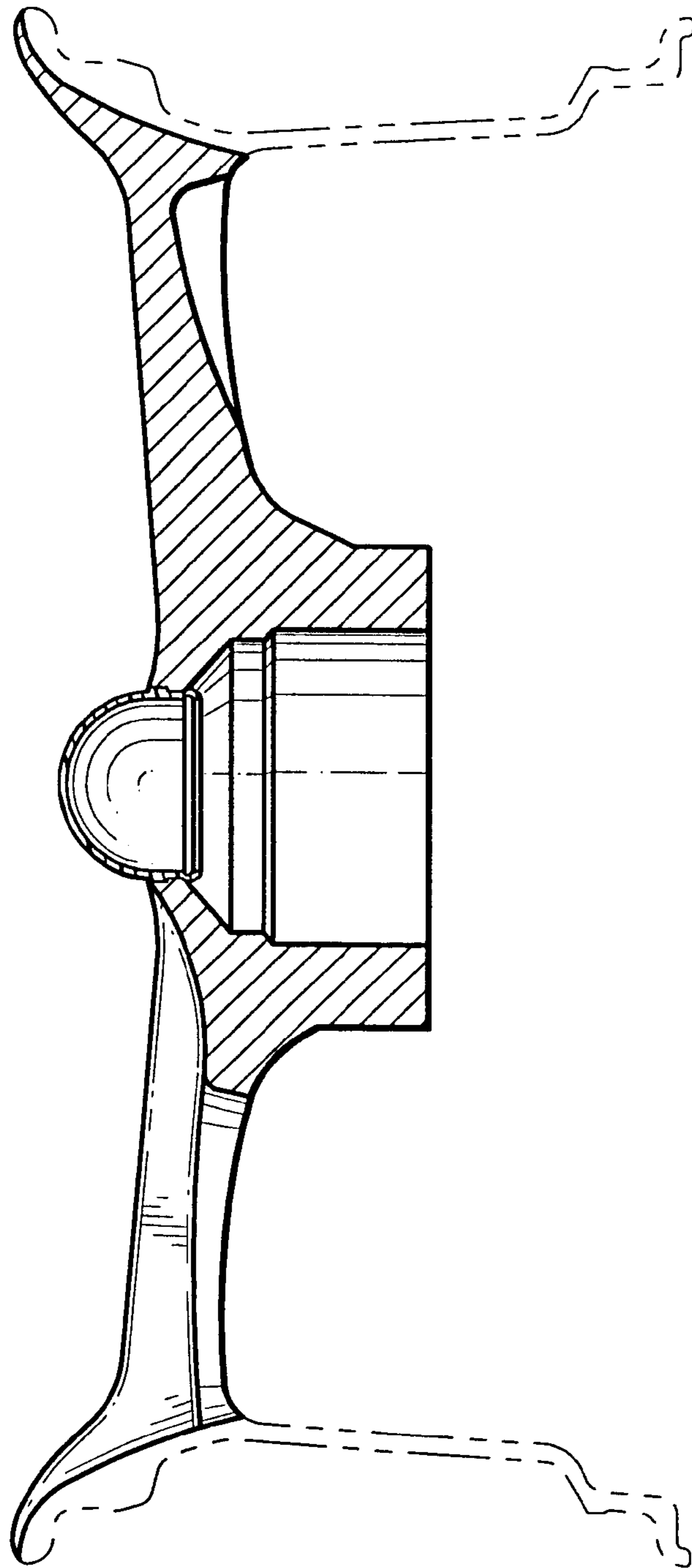


FIG. 3