



US00D484839S

(12) **United States Design Patent**
Scheu

(10) **Patent No.:** **US D484,839 S**

(45) **Date of Patent:** **** Jan. 6, 2004**

(54) **FRONT FACE OF A VEHICLE WHEEL**

(75) **Inventor:** **Armin Scheu, Stuttgart (DE)**

(73) **Assignee:** **DaimlerChrysler AG, Stuttgart (DE)**

(**) **Term:** **14 Years**

(21) **Appl. No.:** **29/166,155**

(22) **Filed:** **Aug. 23, 2002**

(30) **Foreign Application Priority Data**

Feb. 25, 2002 (DE) 4 02 01 596

(51) **LOC (7) Cl.** **12-16**

(52) **U.S. Cl.** **D12/209**

(58) **Field of Search** D12/204-211;
301/37.101, 64.101, 65

(56) **References Cited**

U.S. PATENT DOCUMENTS

D380,432 S	*	7/1997	Hettler	D12/209
D384,025 S	*	9/1997	Roesianto	D12/209
D391,543 S	*	3/1998	Renkert	D12/209
D398,574 S	*	9/1998	McMath	D12/211
D402,251 S	*	12/1998	Timm	D12/211
D410,617 S	*	6/1999	Hussaini et al.	D12/209
D412,692 S	*	8/1999	Hussaini	D12/209
D432,974 S	*	10/2000	Jablonski	D12/211
D433,374 S	*	11/2000	Wang	D12/209
D433,659 S	*	11/2000	Frizzi	D12/211

D450,647 S	*	11/2001	Pfeiffer	D12/211
D454,527 S	*	3/2002	Bhambra	D12/209
D465,757 S	*	11/2002	Kataoka	D12/209
D466,849 S	*	12/2002	Lee	D12/209
D471,502 S	*	3/2003	McMath	D12/209
D474,139 S	*	5/2003	Warming	D12/209
D475,674 S	*	6/2003	Baumgartner	D12/211
D476,283 S	*	6/2003	Baumgartner	D12/211

* cited by examiner

Primary Examiner—Stacia Cadmus

(74) *Attorney, Agent, or Firm*—Crowell & Moring LLP

(57) **CLAIM**

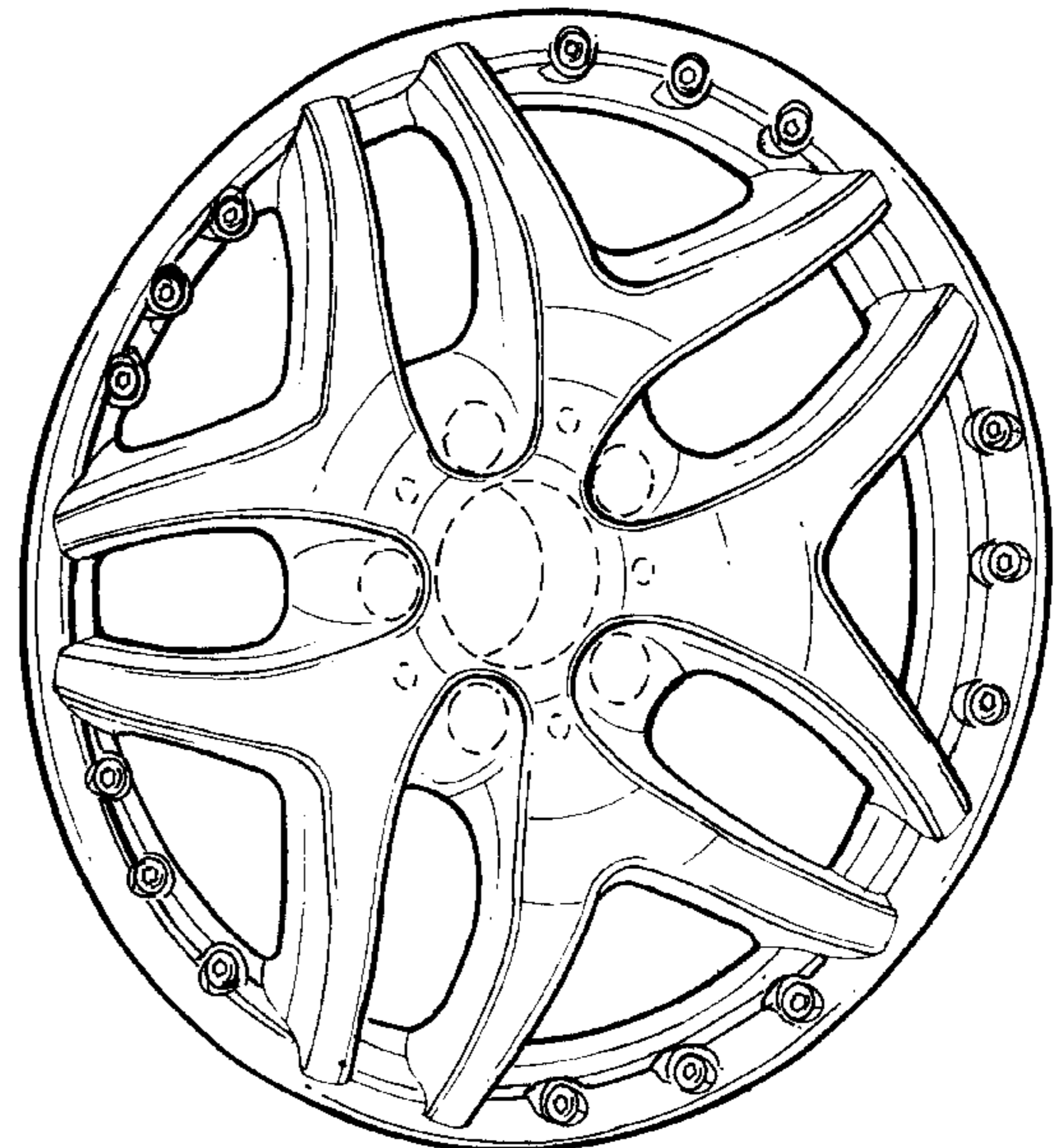
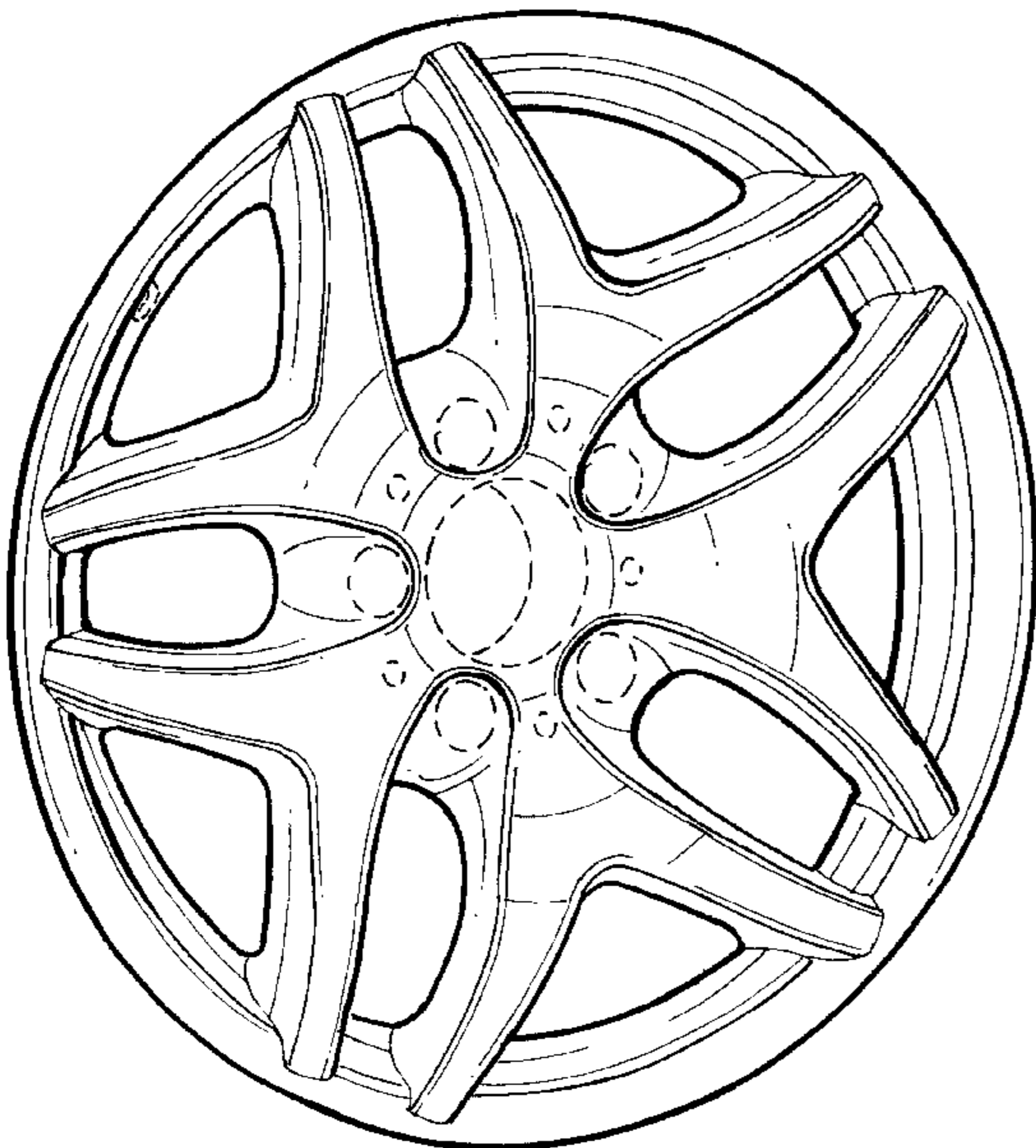
The ornamental design for a front face of a vehicle wheel, as shown and described.

DESCRIPTION

FIG. 1 is a front view of a first embodiment of a front face of a vehicle wheel according to my novel design; FIG. 2 is a perspective view of the first embodiment of the front face of a vehicle wheel according to my novel design; FIG. 3 is a front view of a second embodiment of the front face of a vehicle wheel according to my novel design; and, FIG. 4 is a perspective view of the second embodiment of the front face of a vehicle wheel according to my novel design.

The dash lines included depict environment and are not part of the claimed design.

1 Claim, 2 Drawing Sheets



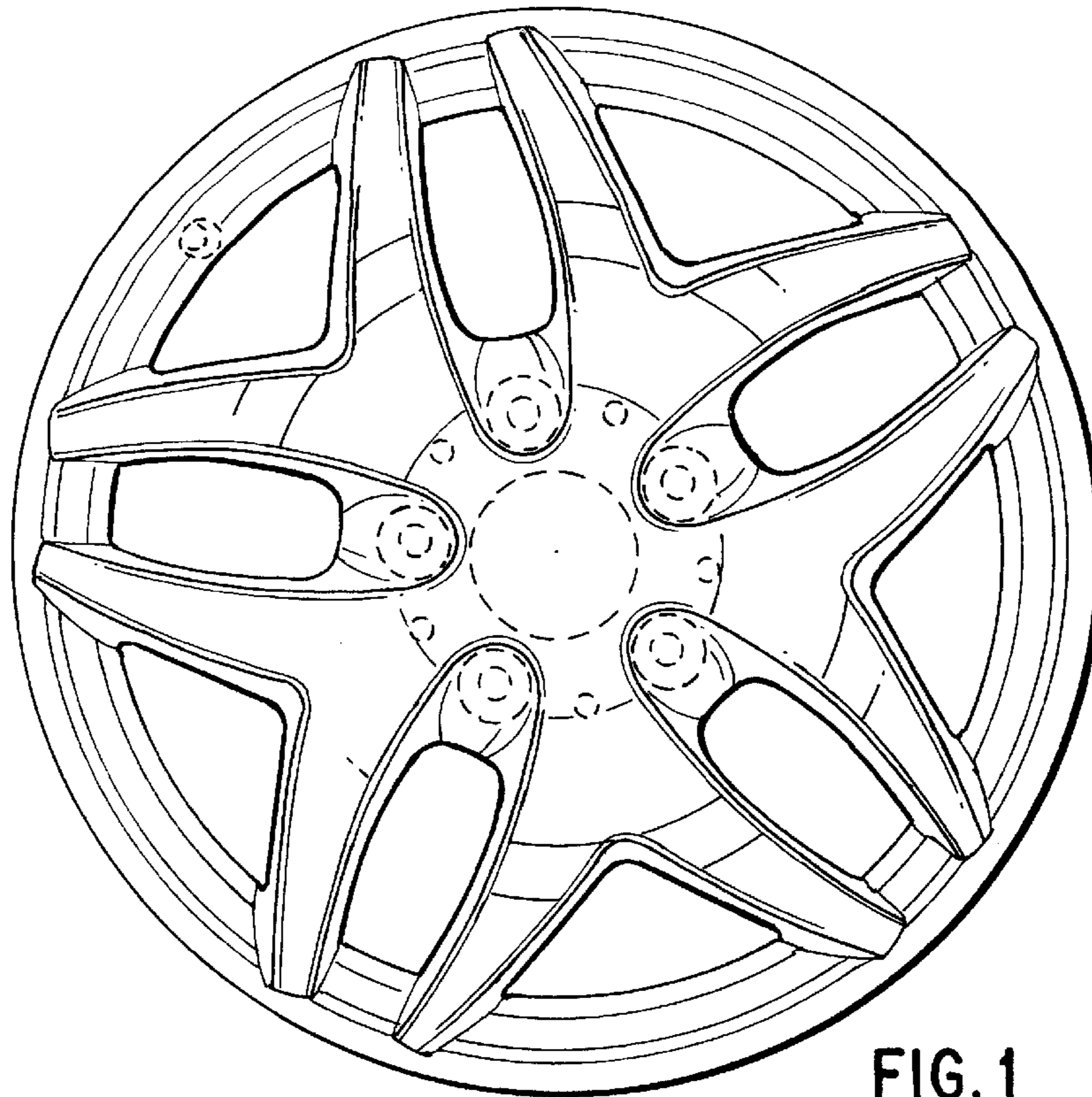


FIG. 1

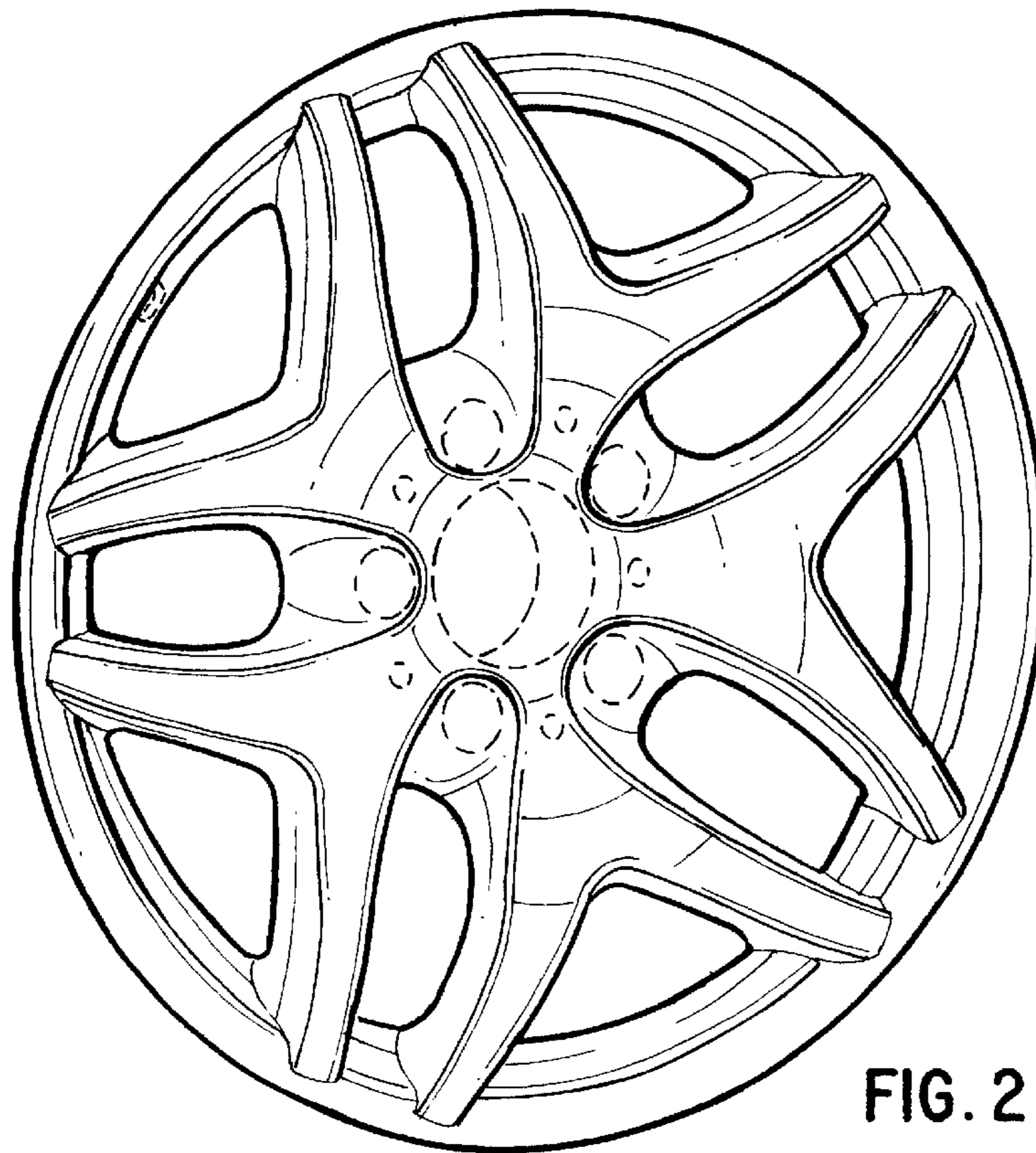


FIG. 2

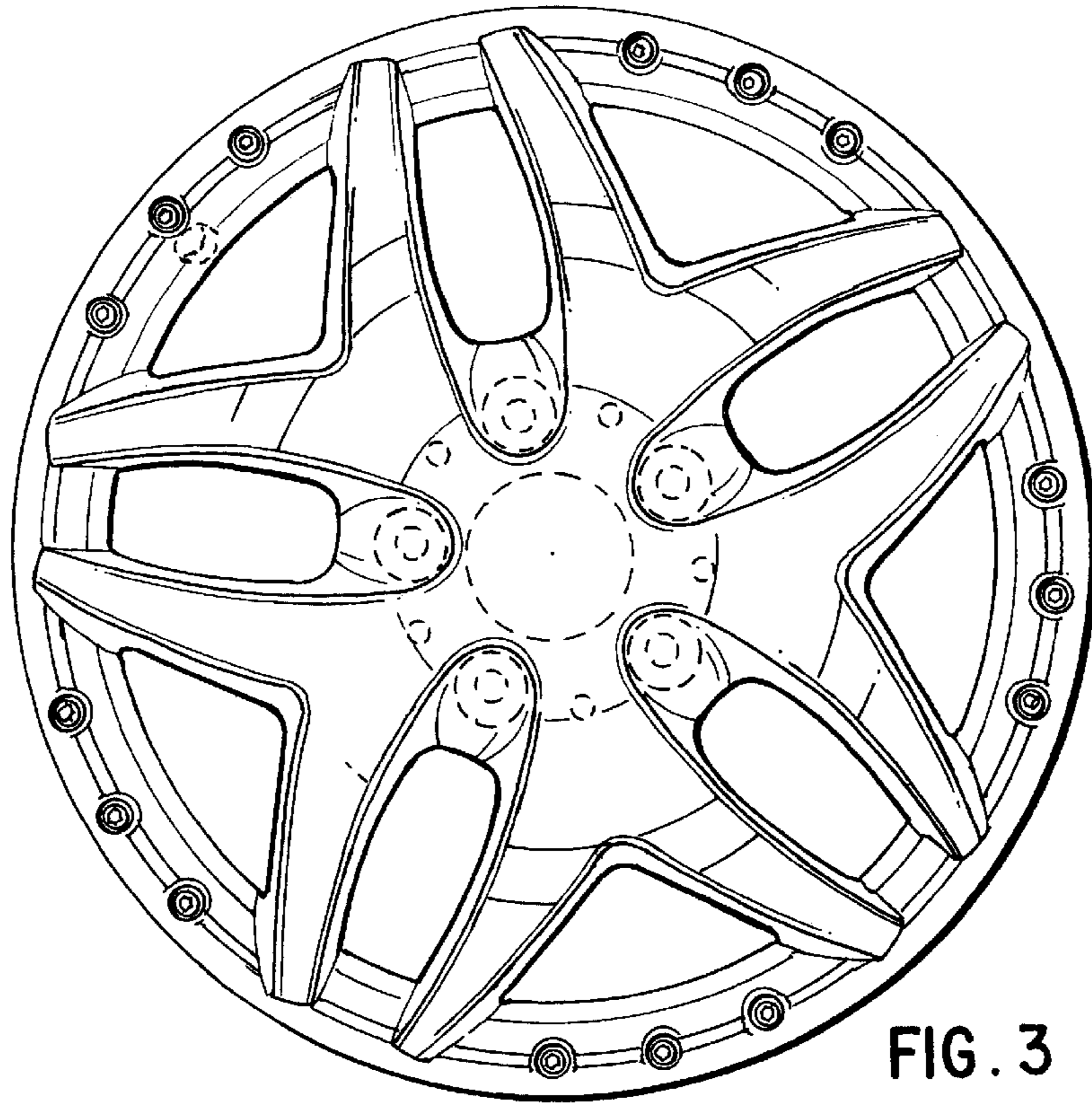


FIG. 3

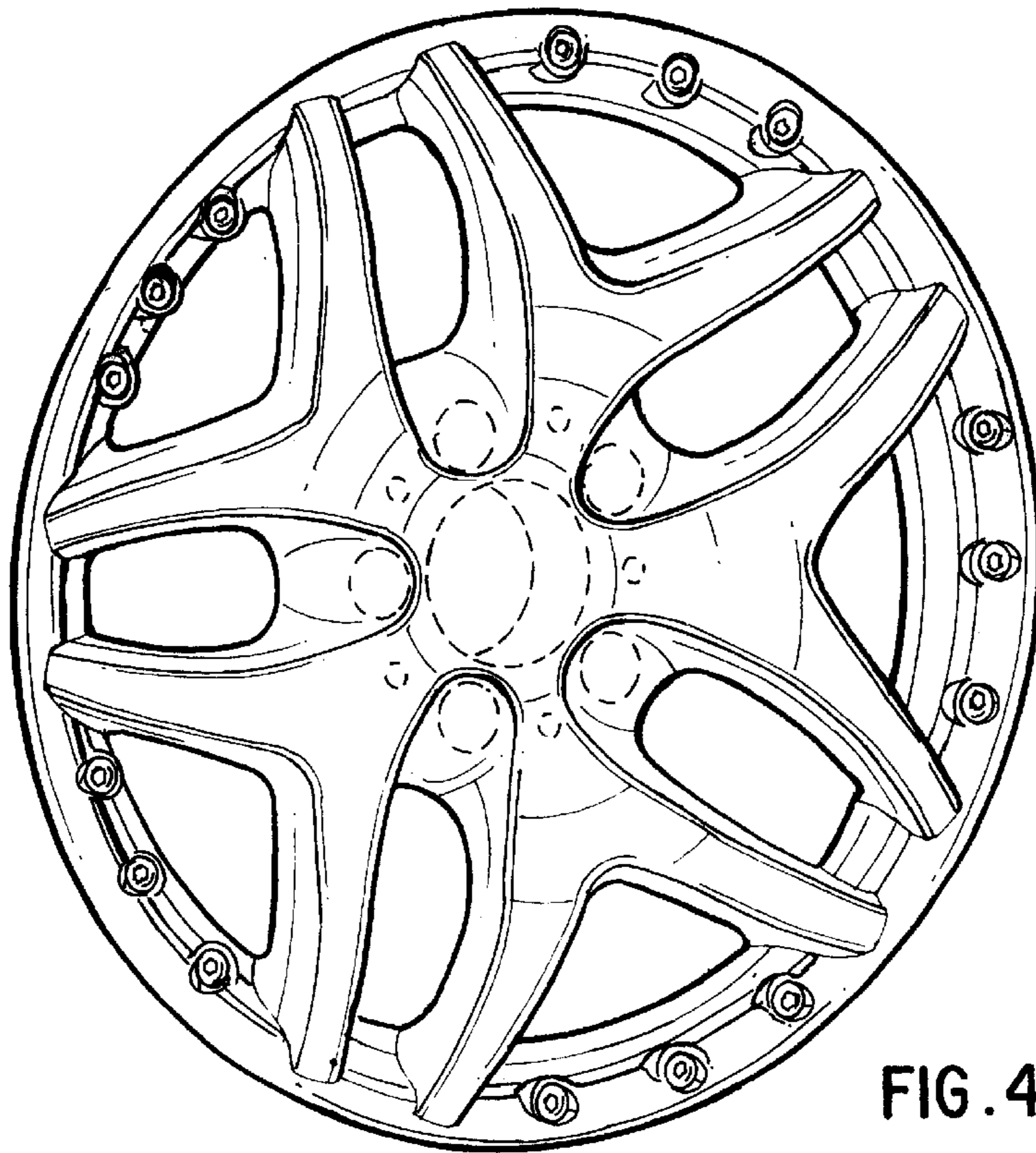


FIG. 4