



US00D484838S

(12) **United States Design Patent**
Tai

(10) **Patent No.:** **US D484,838 S**

(45) **Date of Patent:** **** Jan. 6, 2004**

(54) **WHEEL FACE**

(75) **Inventor:** **Lee Keun Tai**, Harbor City, CA (US)

(73) **Assignee:** **Koky Wheels U.S.A., Inc.**, Carson, CA (US)

(**) **Term:** **14 Years**

(21) **Appl. No.:** **29/152,195**

(22) **Filed:** **Dec. 11, 2001**

(51) **LOC (7) Cl.** **12-16**

(52) **U.S. Cl.** **D12/209**

(58) **Field of Search** D12/204-211;
301/37.101, 64.101, 65

(56) **References Cited**

U.S. PATENT DOCUMENTS

D407,363 S	*	3/1999	Muzzarelli	D12/209
D423,446 S	*	4/2000	Chung	D12/211
D432,479 S	*	10/2000	Lee et al.	D12/209
D433,375 S	*	11/2000	Fitzgerald	D12/209
D435,006 S	*	12/2000	Brown	D12/209
D436,070 S	*	1/2001	Lee	D12/209
D436,568 S	*	1/2001	Chung	D12/209
D436,912 S	*	1/2001	Boyer	D12/211

D442,535 S	*	5/2001	Lotson	D12/209
D450,286 S	*	11/2001	Kuribayashi	D12/209
D455,387 S	*	4/2002	McMath	D12/209
D457,477 S	*	5/2002	Chung	D12/209
D460,731 S	*	7/2002	Cahyono	D12/209
D466,460 S	*	12/2002	Kataoka	D12/209
D467,856 S	*	12/2002	Pfeiffer	D12/209
D474,140 S	*	5/2003	Chirala	D12/209

* cited by examiner

Primary Examiner—Stacia Cadmus

(74) *Attorney, Agent, or Firm*—Sheppard, Mullin, Richter & Hampton LLP

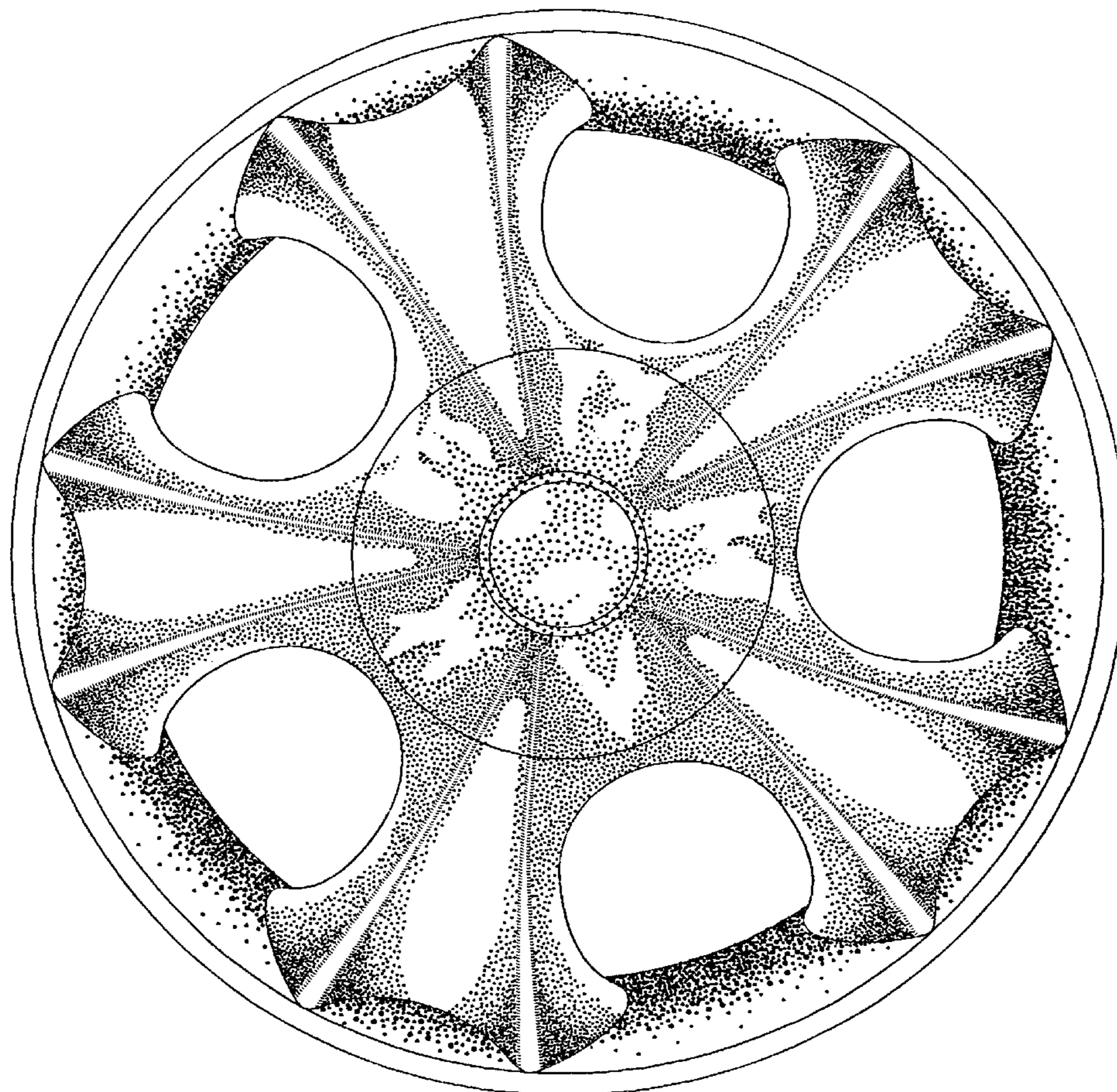
(57) **CLAIM**

The ornamental design for a wheel face, as shown and described.

DESCRIPTION

FIG. 1 is a perspective view of a wheel face embodying the new design with the remainder of the wheel being shown in phantom lines; and, FIG. 2 is a front side elevational view thereof. The broken line showing of environment is for illustrative purposes only and forms no part of the claimed design.

1 Claim, 2 Drawing Sheets



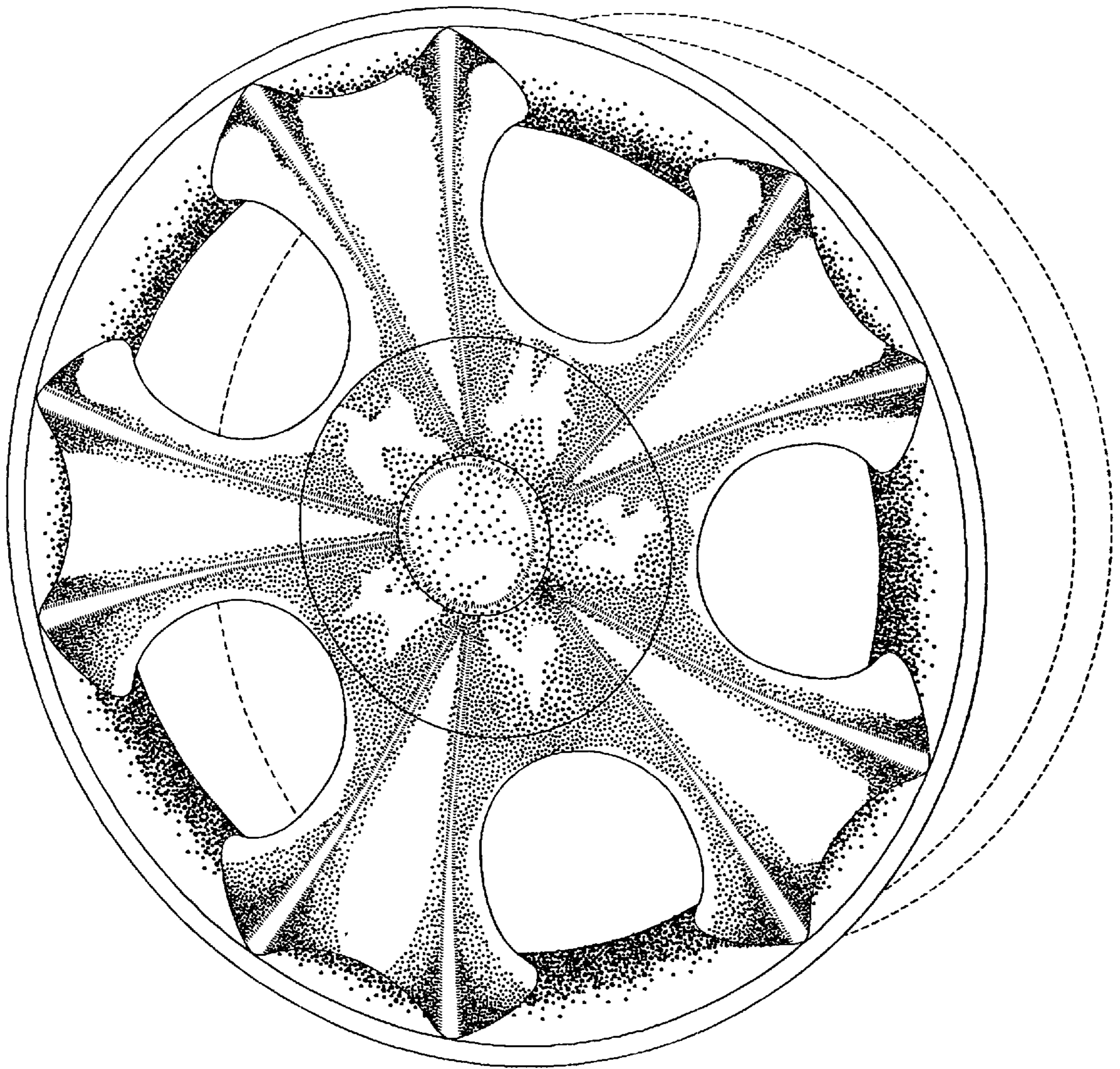


FIG. 1

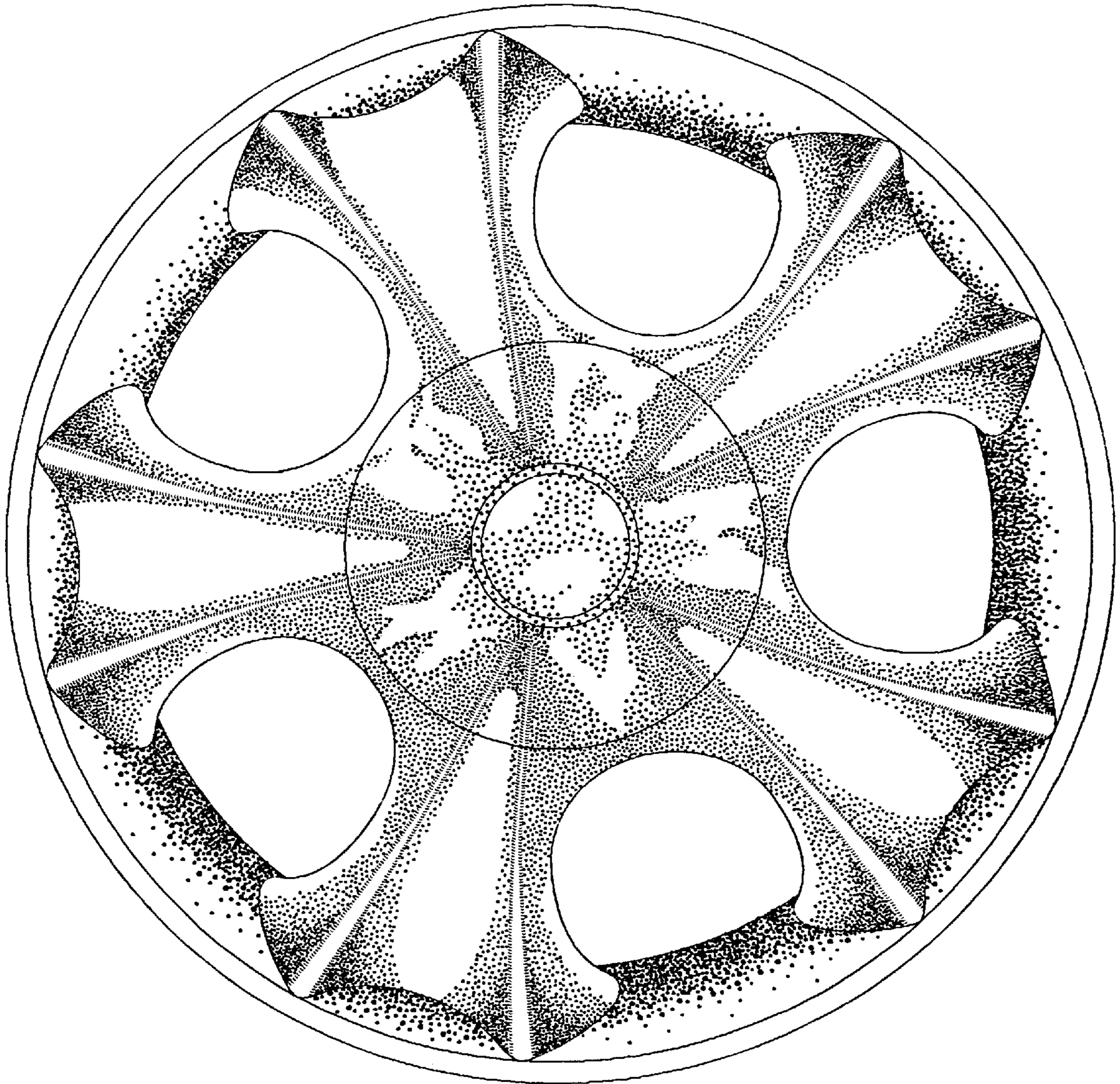


FIG. 2