



US00D484836S

(12) **United States Design Patent**  
**Gavin**

(10) **Patent No.:** **US D484,836 S**  
(45) **Date of Patent:** **\*\* Jan. 6, 2004**

- (54) **PILLAR ARRAY FOR DISC BRAKES**
- (75) Inventor: **Stephen Patrick Gavin**, Bateau Bay (AU)
- (73) Assignee: **Disc Brakes Australia Pty., Ltd.**, Silverwater (AU)
- (\*) Notice: This patent is subject to a terminal disclaimer.
- (\*\*) Term: **14 Years**
- (21) Appl. No.: **29/167,823**
- (22) Filed: **Sep. 19, 2002**
- (51) **LOC (7) Cl.** ..... **12-16**
- (52) **U.S. Cl.** ..... **D12/180**
- (58) **Field of Search** ..... D12/180; 188/24.11-24.13, 188/71.6, 218 XL, 264 AA, 73.2, 18 A, 26; 192/107 R, 70.16, 113.2, 113.23

|    |              |         |
|----|--------------|---------|
| AU | 145738       | 5/2001  |
| WO | WO 02/064992 | 8/2002  |
| WO | WO 02/090791 | 11/2002 |

\* cited by examiner

*Primary Examiner*—Melody N. Brown  
(74) *Attorney, Agent, or Firm*—Knobbe, Martens, Olson & Bear, LLP

(57) **CLAIM**

The ornamental design for a pillar array disc brakes, as shown and described.

**DESCRIPTION**

FIG. 1 is a top perspective view of a disc brake pillar array having a unique configuration of the present design;  
 FIG. 2 is a bottom perspective view of a disc brake pillar array having a unique configuration of the present design;  
 FIG. 3 is a cross-sectional side view of a disc brake pillar array having a unique configuration of the present design taken along line 3—3 in FIG. 1;  
 FIG. 4 is a top view of a disc brake pillar array having a unique configuration of the present design;  
 FIG. 5 is a bottom view of a disc brake pillar array having a unique configuration of the present design;  
 FIG. 6 is a side view of a disc brake pillar array having a unique configuration of the present design; and,  
 FIG. 7 is a cross-sectional top view of a disc brake pillar array having a unique configuration of the present design taken along line 7—7 in FIG. 1.

(56) **References Cited**

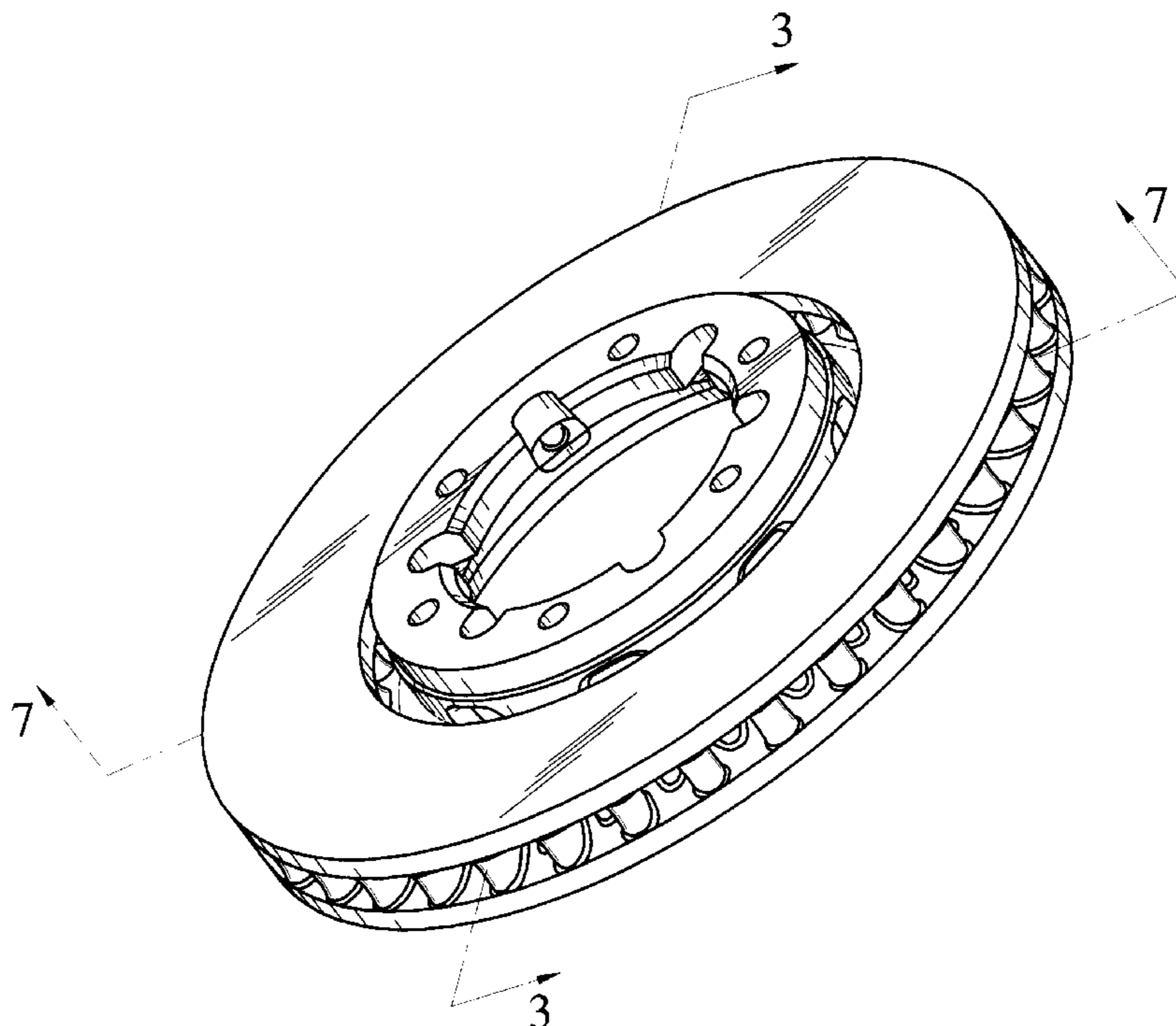
**U.S. PATENT DOCUMENTS**

|           |   |           |                  |         |
|-----------|---|-----------|------------------|---------|
| 4,865,167 | A | 9/1989    | Giorgetti et al. |         |
| 5,542,503 | A | 8/1996    | Dunn et al.      |         |
| D446,177  | S | * 8/2001  | Ueno             | D12/180 |
| D446,756  | S | * 8/2001  | York             | D12/180 |
| D465,179  | S | * 11/2002 | Ballinger        | D12/180 |
| D471,140  | S | * 3/2003  | Obertiz          | D12/180 |

**FOREIGN PATENT DOCUMENTS**

|    |        |        |
|----|--------|--------|
| AU | 143333 | 3/2001 |
|----|--------|--------|

**1 Claim, 7 Drawing Sheets**



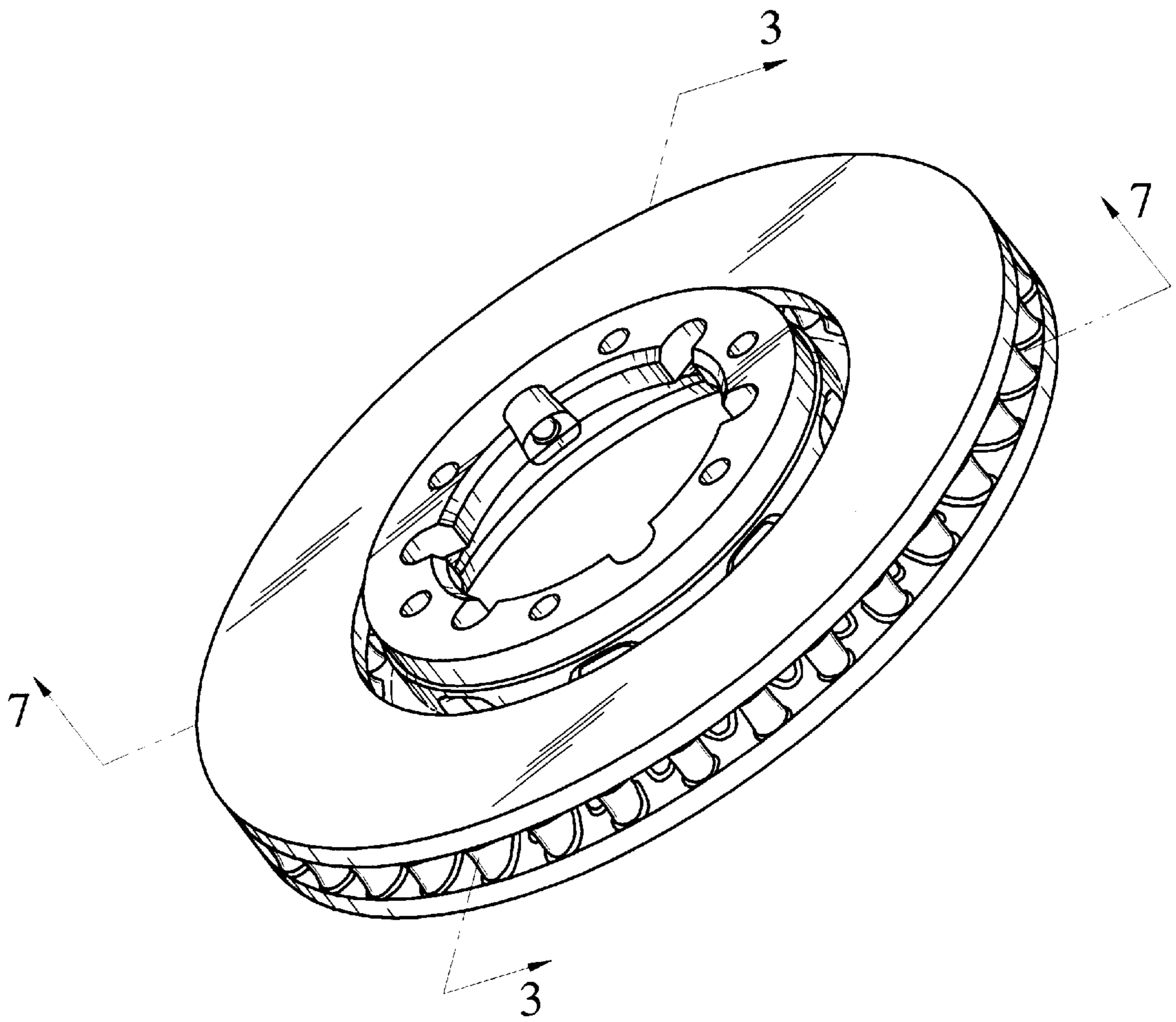


FIG. 1

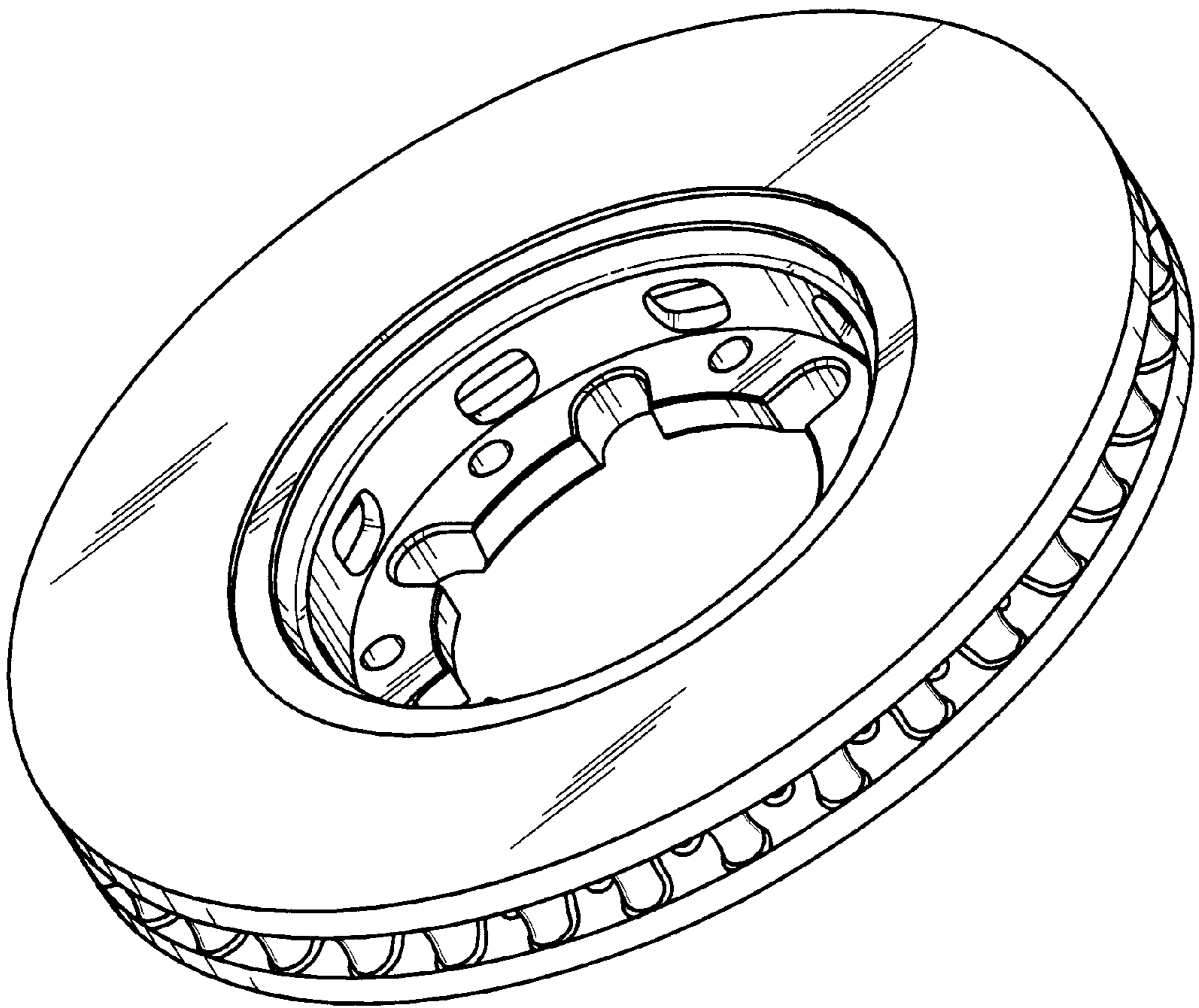


FIG. 2

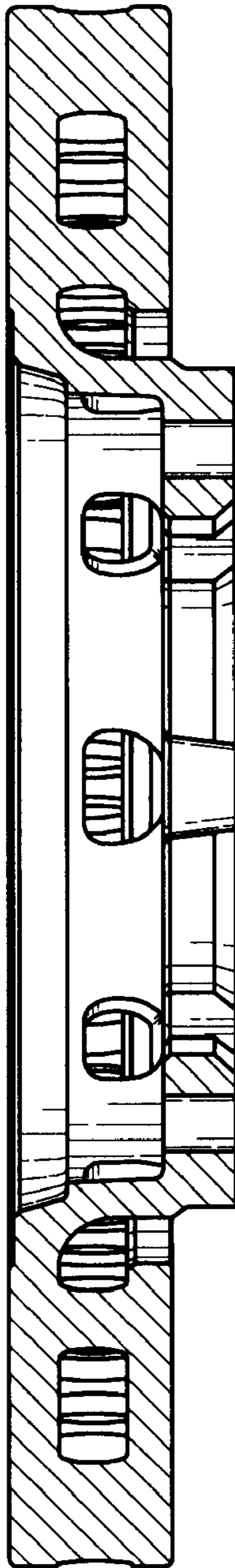


FIG. 3

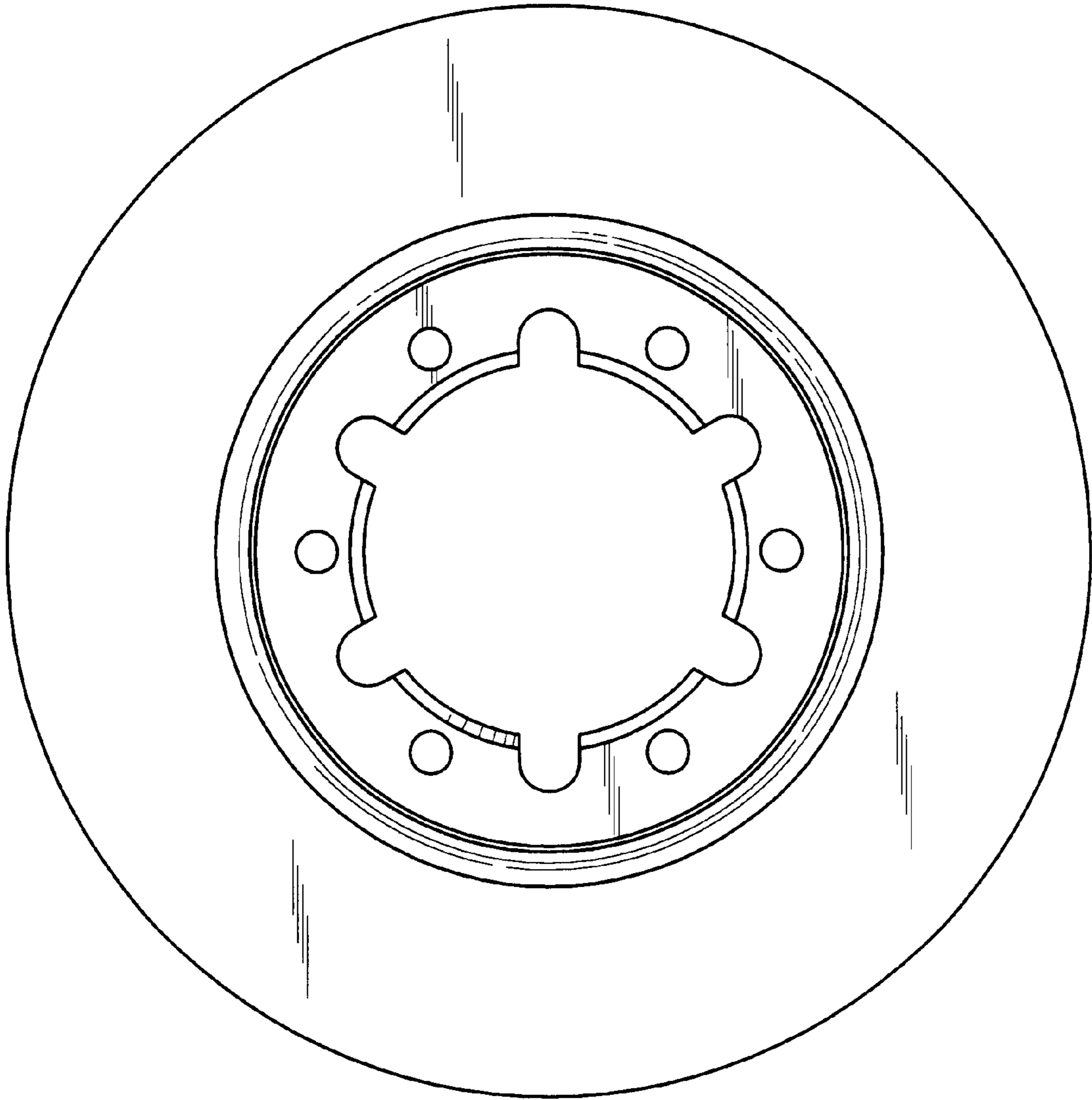


FIG. 4

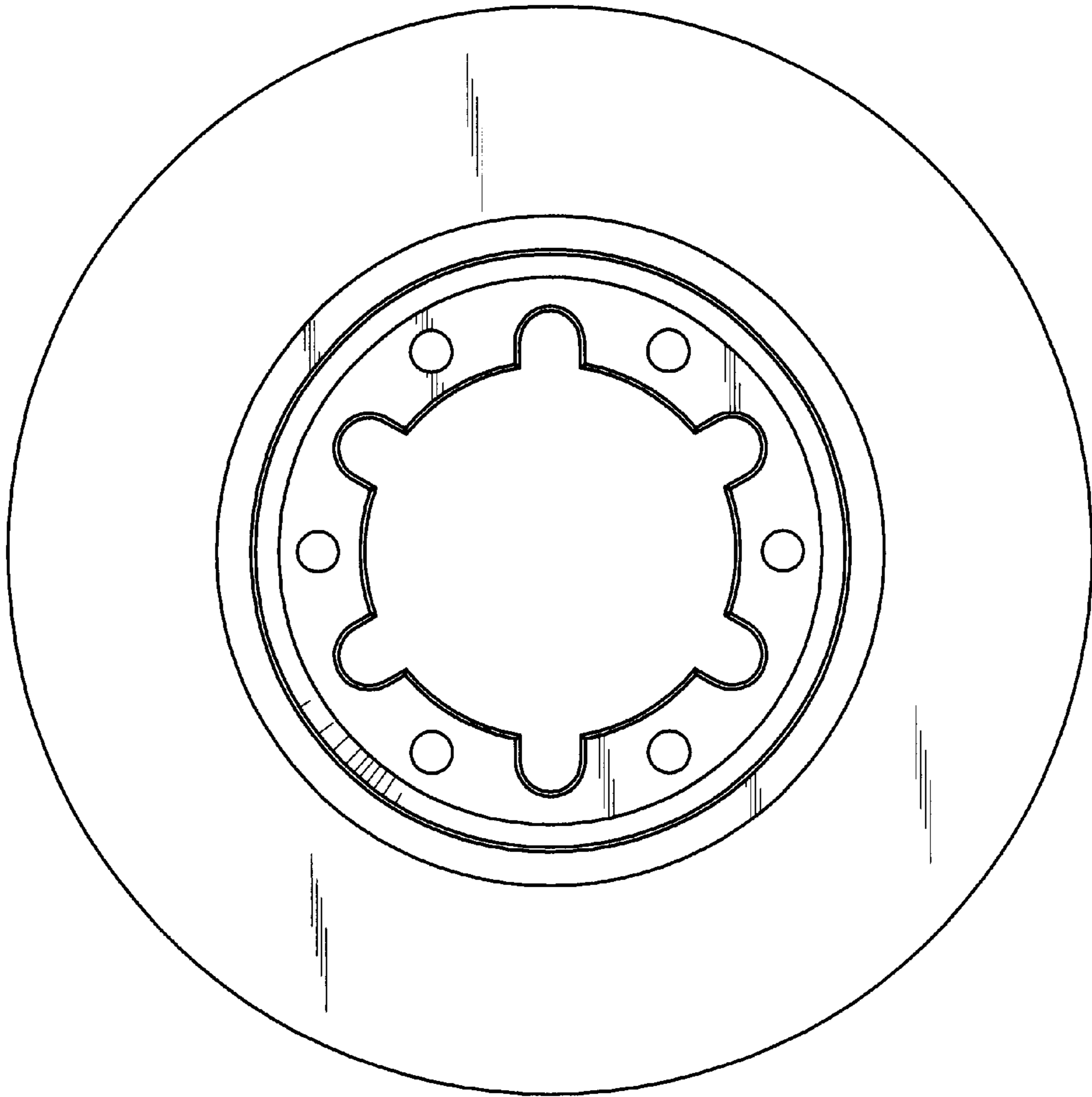


FIG. 5

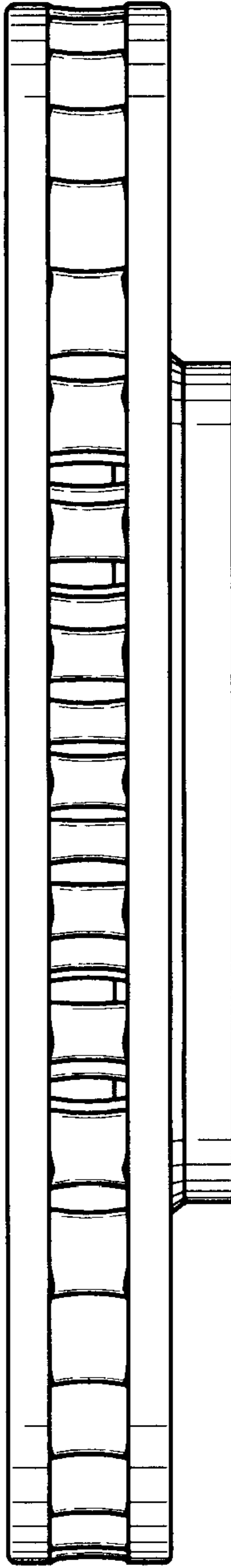


FIG. 6

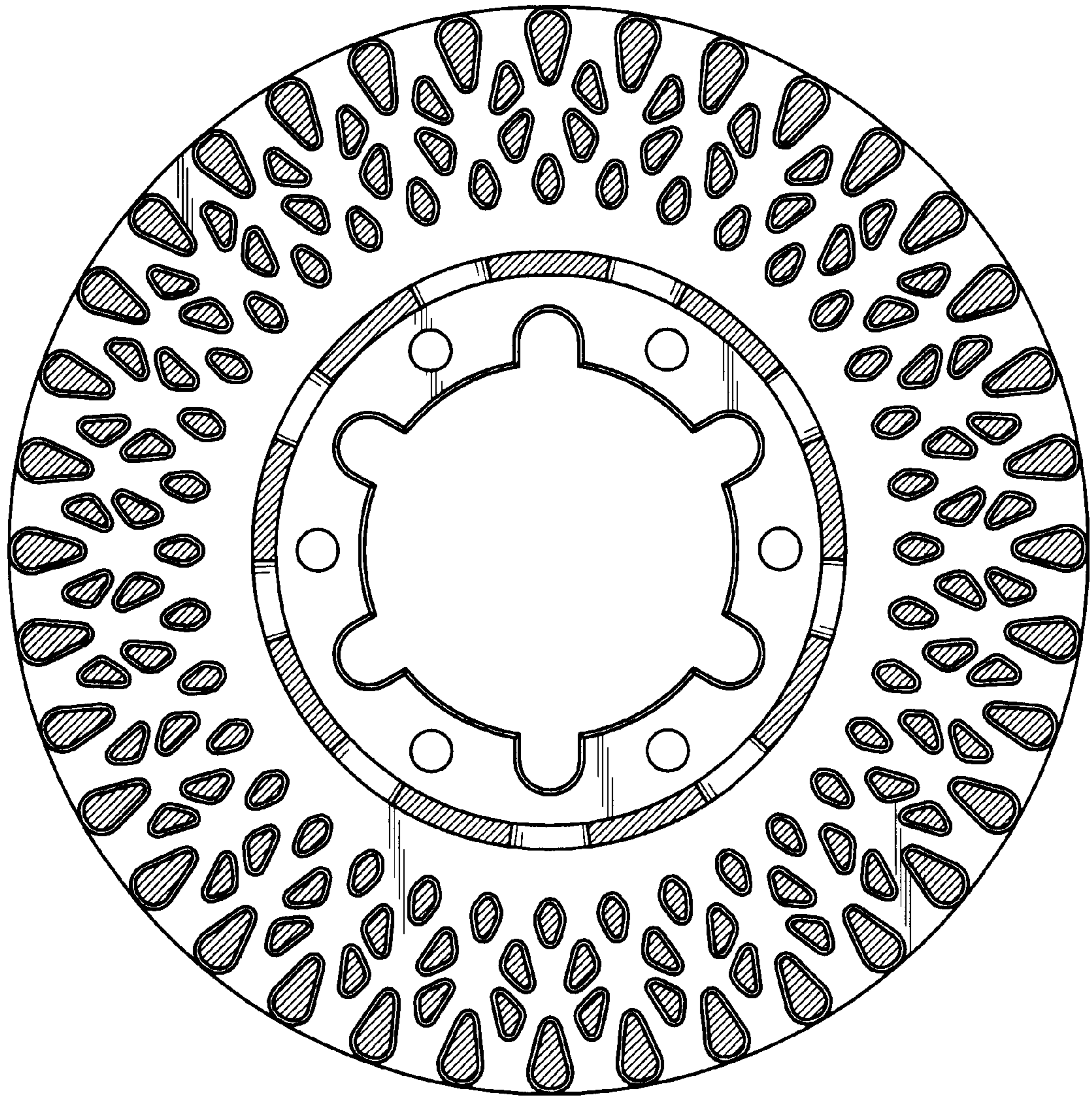


FIG. 7