



US00D484832S

(12) **United States Design Patent**
Okamoto et al.

(10) **Patent No.:** **US D484,832 S**

(45) **Date of Patent:** **** Jan. 6, 2004**

(54) **WHEELCHAIR**

D444,105 S * 6/2001 Johansson et al. D12/131
D475,952 S * 6/2003 Nelson et al. D12/131

(75) Inventors: **Yasutoshi Okamoto**, Moriguchi (JP);
Yasuhiro Matsusaki, Moriguchi (JP);
Shinji Oda, Moriguchi (JP); **Masatoshi Okuda**, Moriguchi (JP); **Kiyohiko Utagawa**, Moriguchi (JP)

* cited by examiner

Primary Examiner—Marcus A. Jackson
(74) *Attorney, Agent, or Firm*—Rabin & Berdo, PC

(73) Assignees: **Sanyo Electric Co., Ltd.**, Osaka (JP);
Sanyo Electric Techno Clean Co., Ltd., Osaka (JP)

(57) **CLAIM**

The ornamental design for a wheelchair, as shown and described.

(**) Term: **14 Years**

DESCRIPTION

(21) Appl. No.: **29/176,638**

FIG. 1 is a perspective view of a wheelchair showing our new design;

(22) Filed: **Feb. 27, 2003**

FIG. 2 is a top plan view thereof;

(30) **Foreign Application Priority Data**

Sep. 4, 2002 (JP) 2002-023958

FIG. 3 is a front elevation view thereof;

(51) **LOC (7) Cl.** **12-12**

FIG. 4 is a right side view thereof, the left side view being the mirror image;

(52) **U.S. Cl.** **D12/131**

(58) **Field of Search** D12/128-133;
D6/335, 336, 337, 367, 370; 297/30, 68,
377; 280/250.1

FIG. 5 is a bottom plan side view thereof;

FIG. 6 is a rear elevation view thereof; and,

FIG. 7 is a perspective view thereof showing a state where the seat is detached from a caster.

(56) **References Cited**

U.S. PATENT DOCUMENTS

D414,143 S * 9/1999 Brotherston D12/131

1 Claim, 4 Drawing Sheets

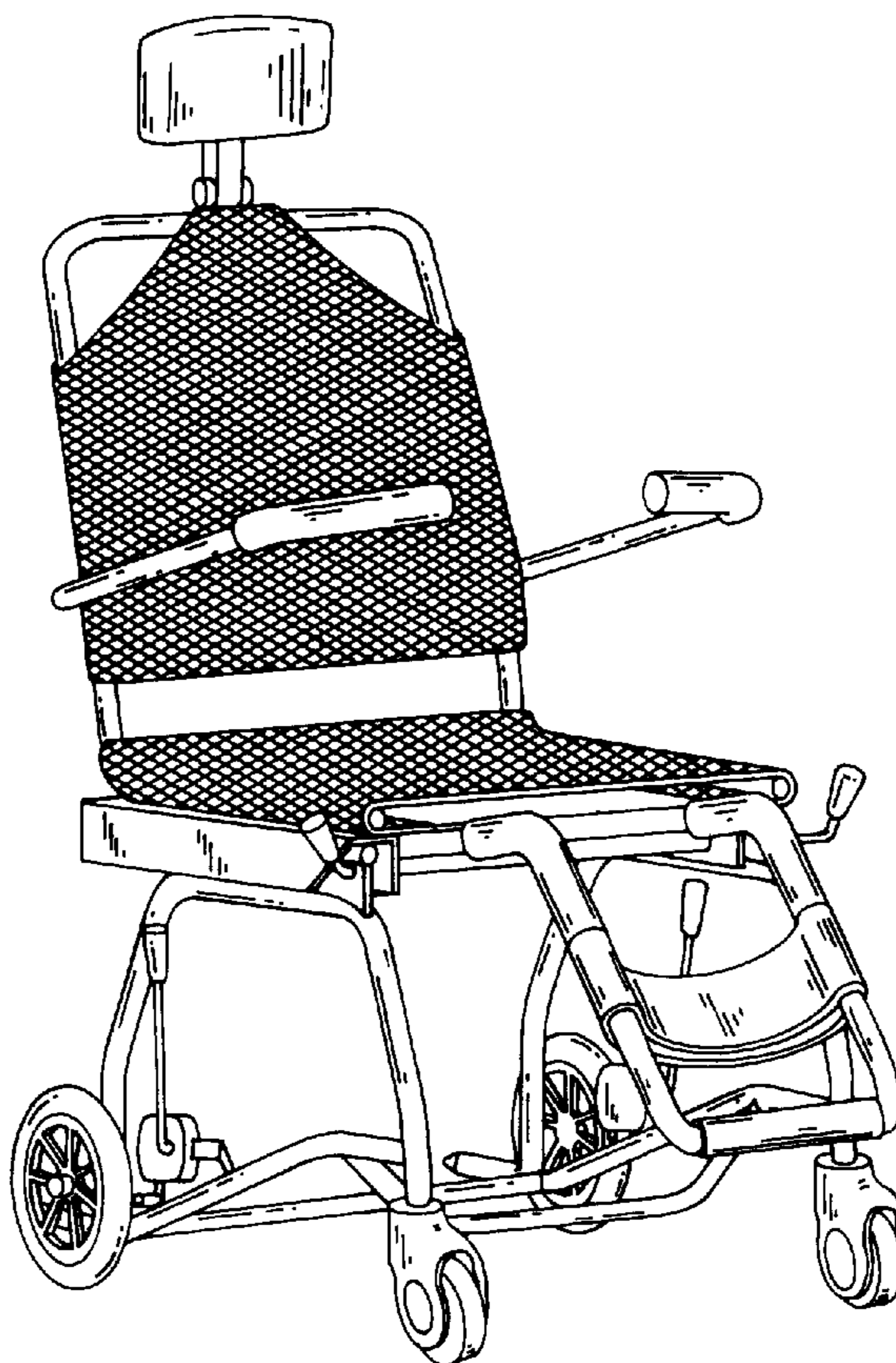


FIG. 1

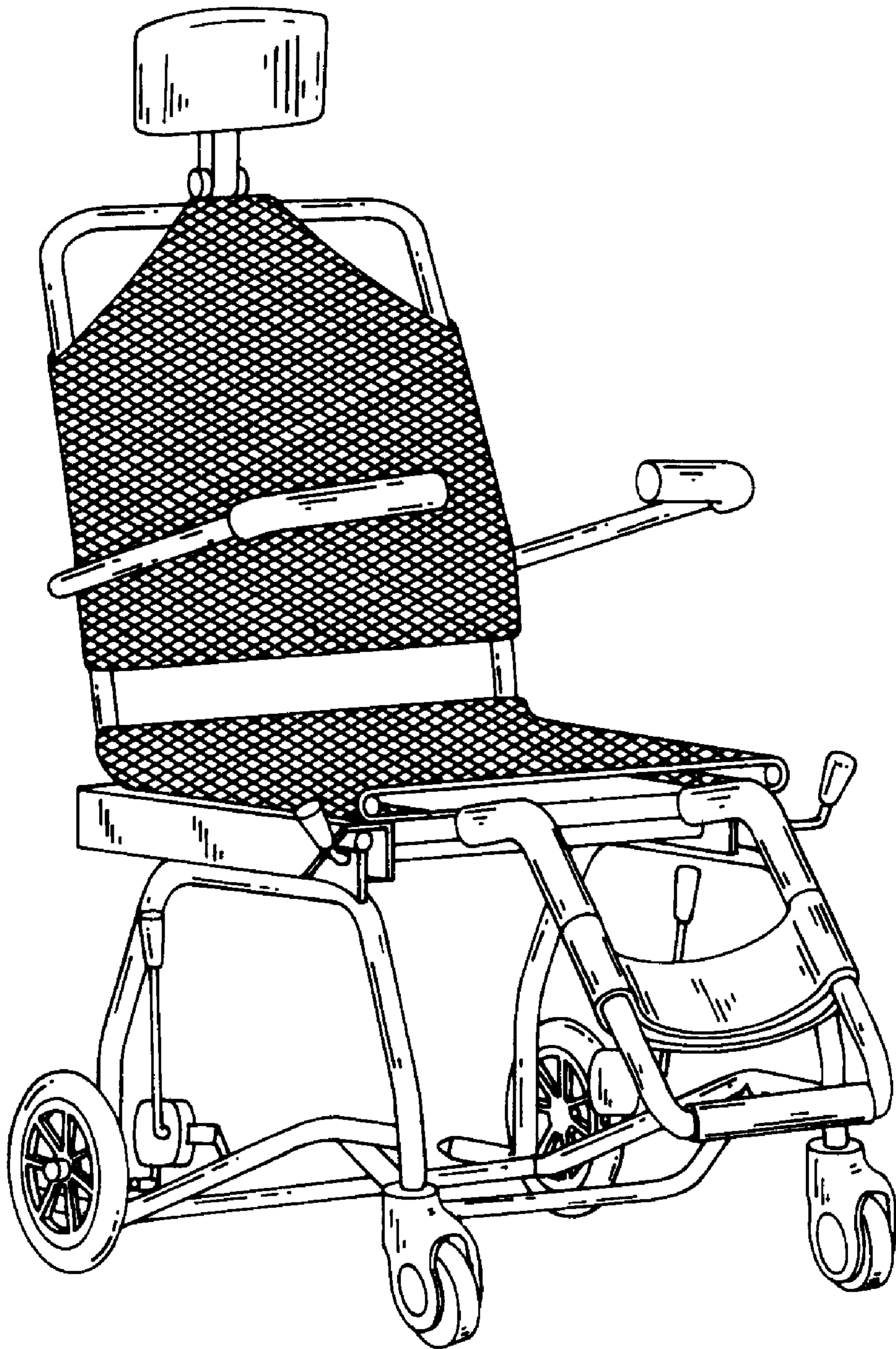


FIG. 2

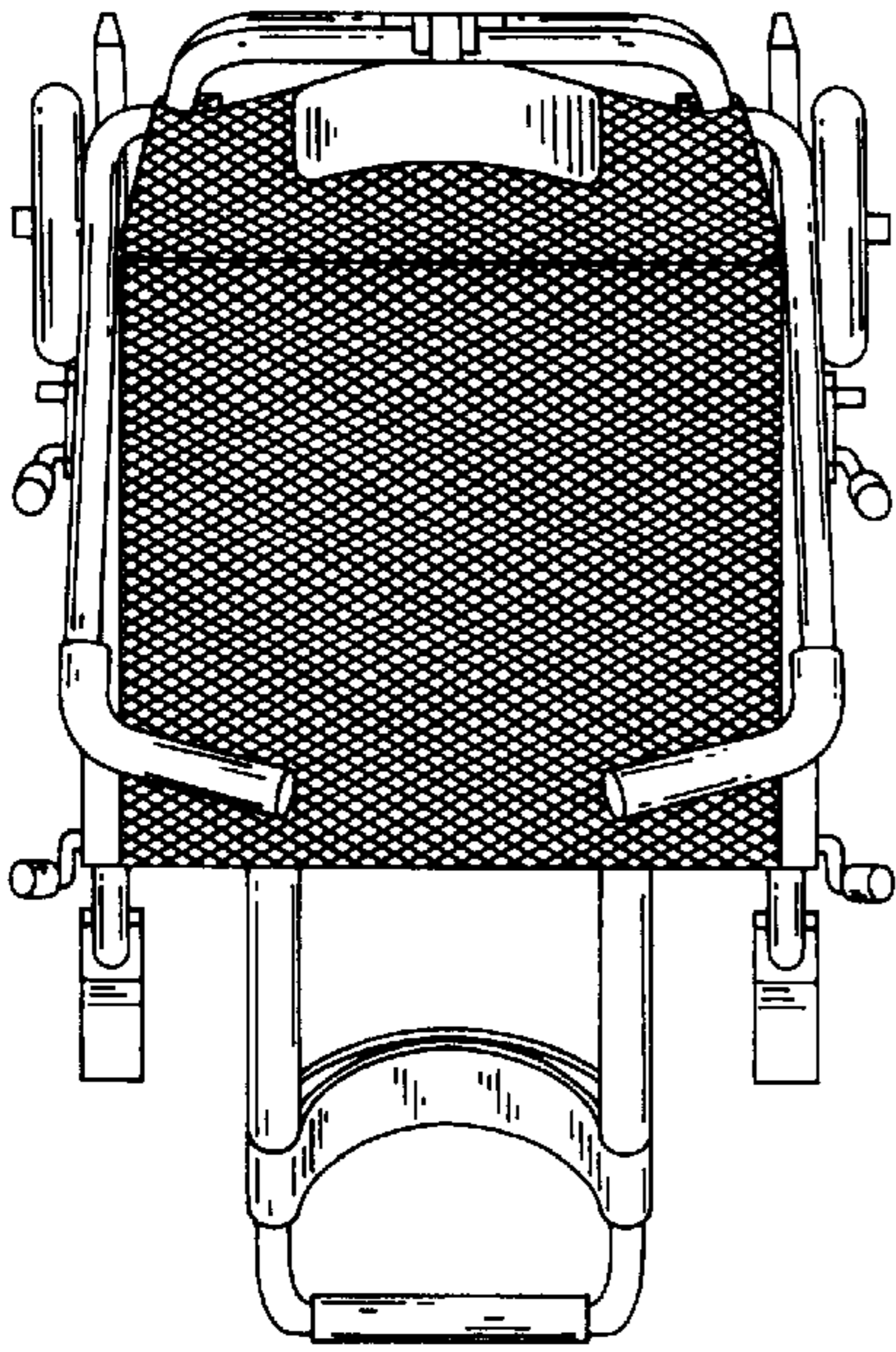


FIG. 3

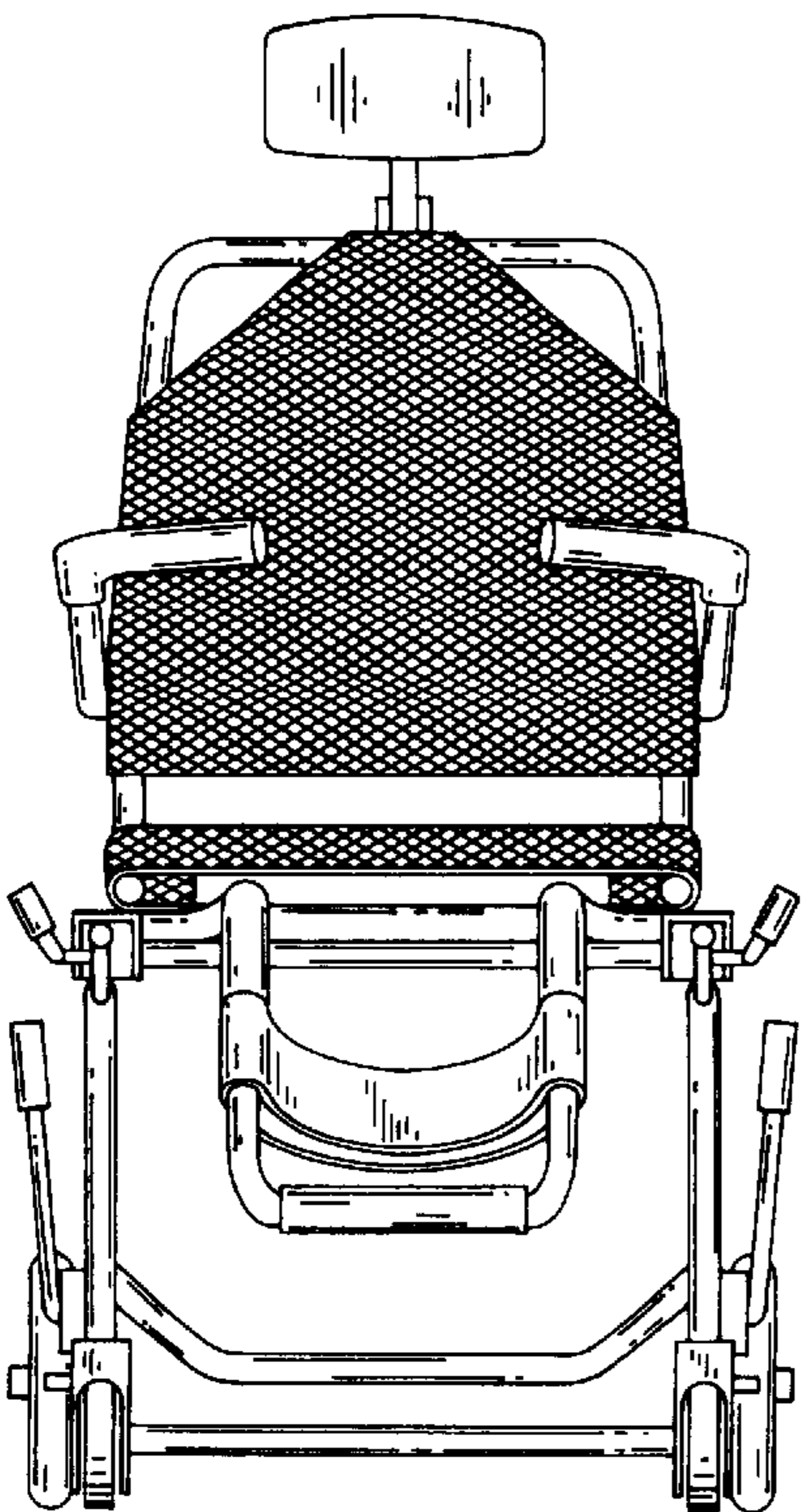


FIG. 4

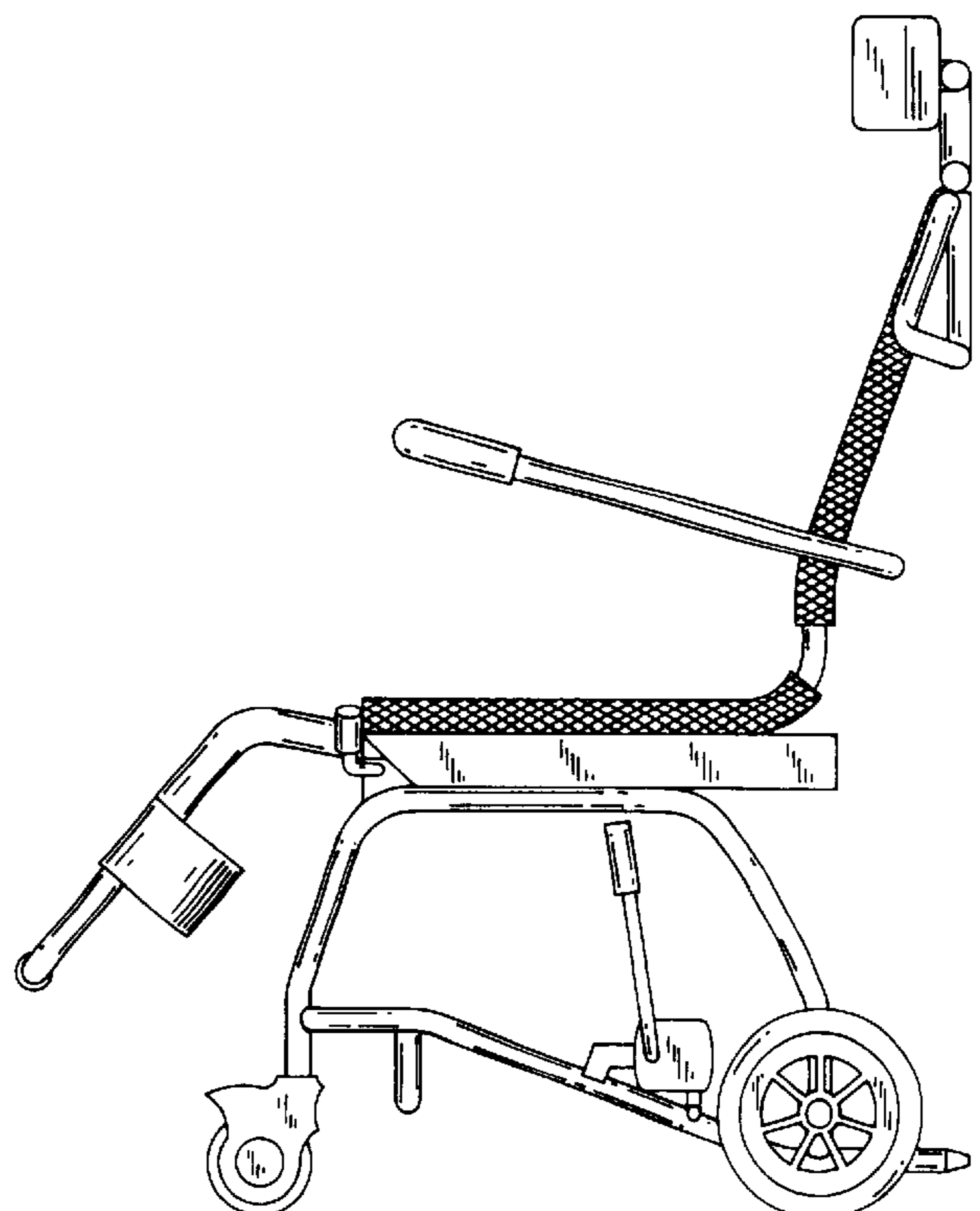


FIG. 5

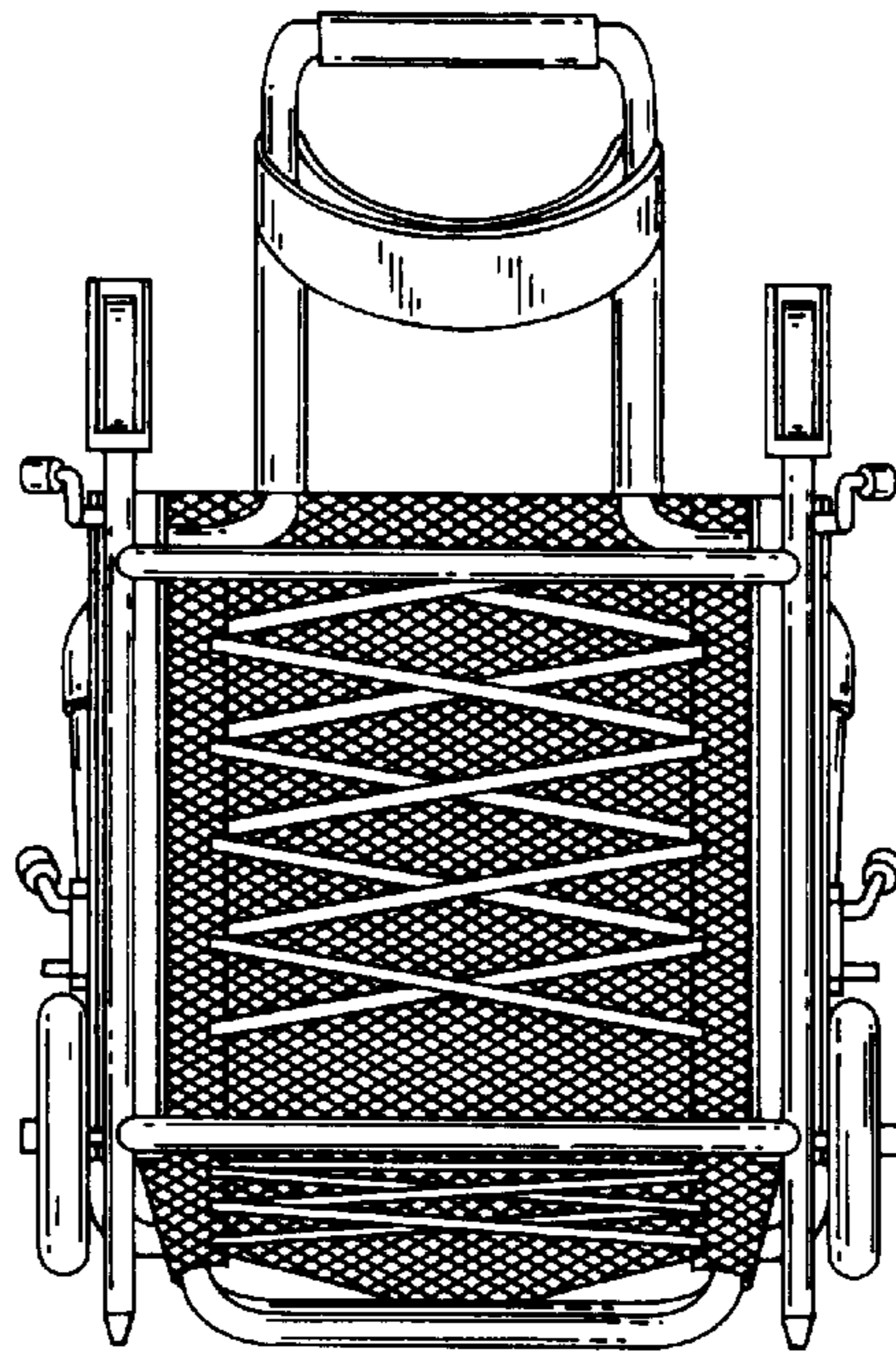


FIG. 6

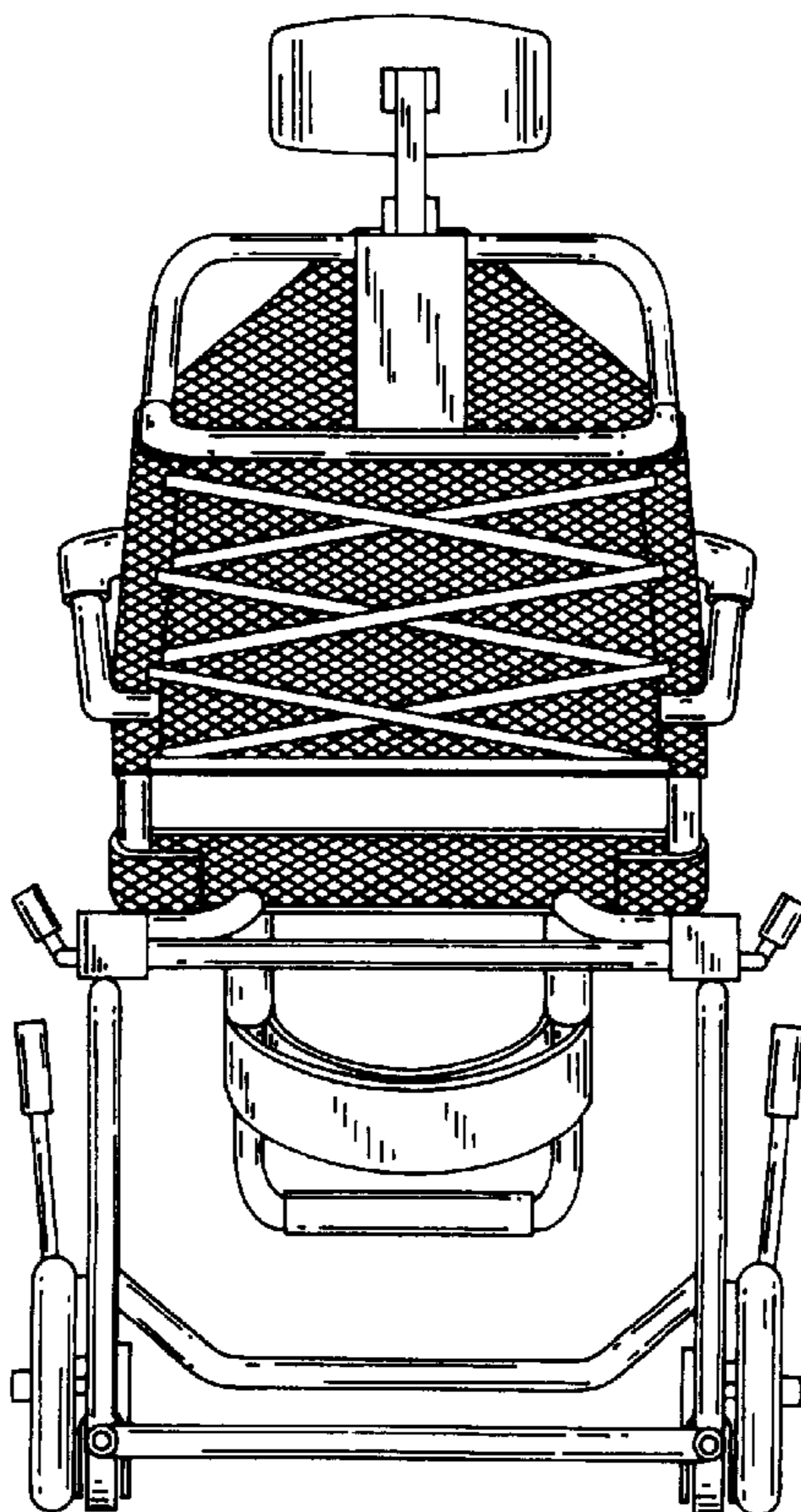


FIG. 7

