



US00D484827S

(12) **United States Design Patent**  
**Reuser**

(10) **Patent No.:** **US D484,827 S**

(45) **Date of Patent:** **\*\* Jan. 6, 2004**

(54) **MOTIVATIONAL DISPLAY**

D441,689 S \* 5/2001 Howard ..... D11/131

(76) Inventor: **Merle Reuser**, 412 St. Mary Pl., Santa Rosa, CA (US) 95409

\* cited by examiner

(\*\*) Term: **14 Years**

*Primary Examiner*—Dominic Simone  
(74) *Attorney, Agent, or Firm*—Larry D. Johnson; Craig M. Stainbrook; Johnson & Stainbrook, LLP

(21) Appl. No.: **29/169,603**

(57) **CLAIM**

(22) Filed: **Oct. 21, 2002**

The ornamental design for a motivational display, as shown and described.

(51) **LOC (7) Cl.** ..... **11-02**

(52) **U.S. Cl.** ..... **D11/131; D11/157**

(58) **Field of Search** ..... D11/117, 131, D11/157; D99/25, 99; 428/542.2, 542.4

**DESCRIPTION**

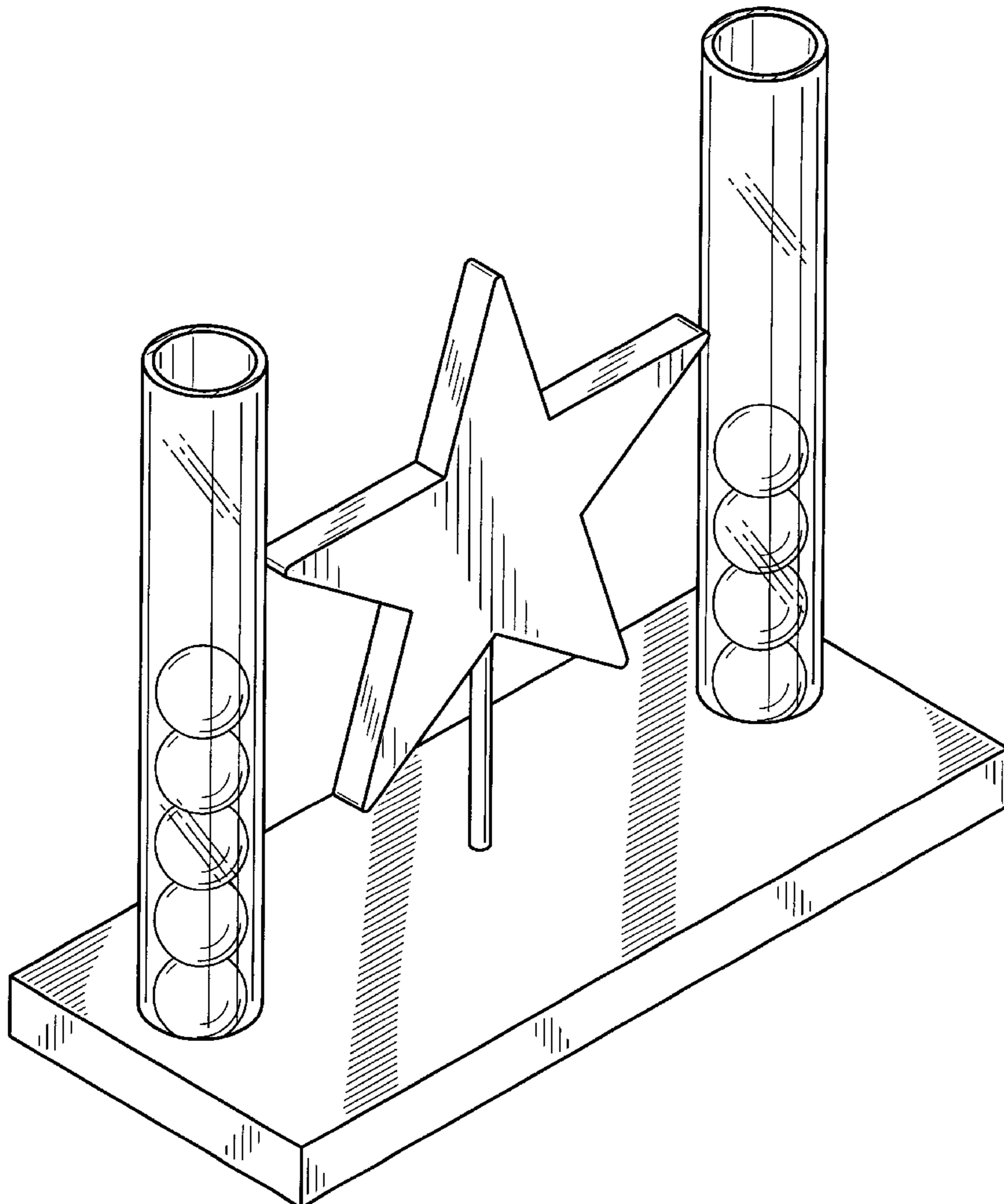
(56) **References Cited**

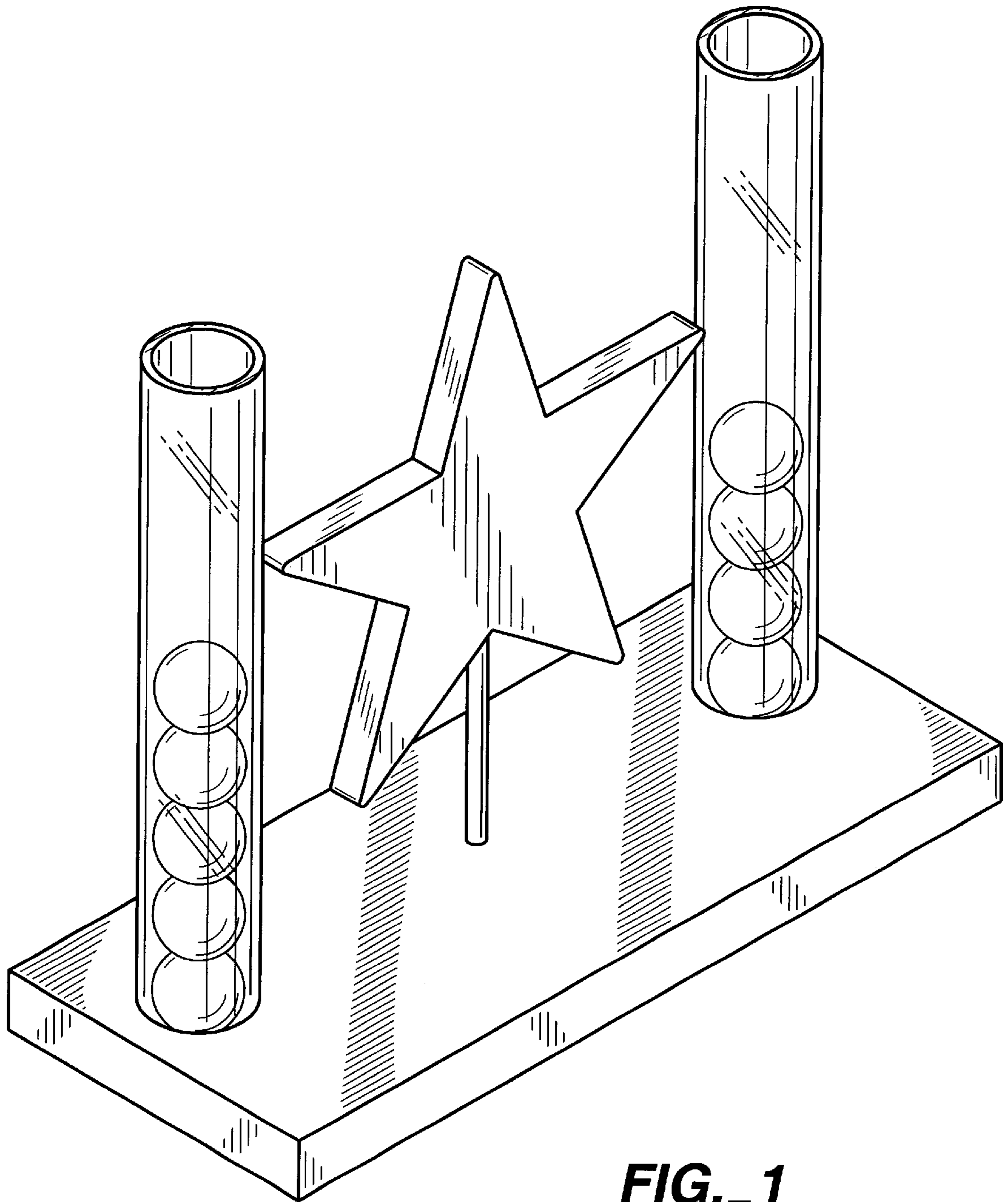
FIG. 1 is an upper left front perspective view; FIG. 2 is a front elevational view, the rear is a mirror image thereof; FIG. 3 is a right side elevational view; FIG. 4 is a left side elevational view; and, FIG. 5 is a top plan view, the bottom is plain and unornamented.

**U.S. PATENT DOCUMENTS**

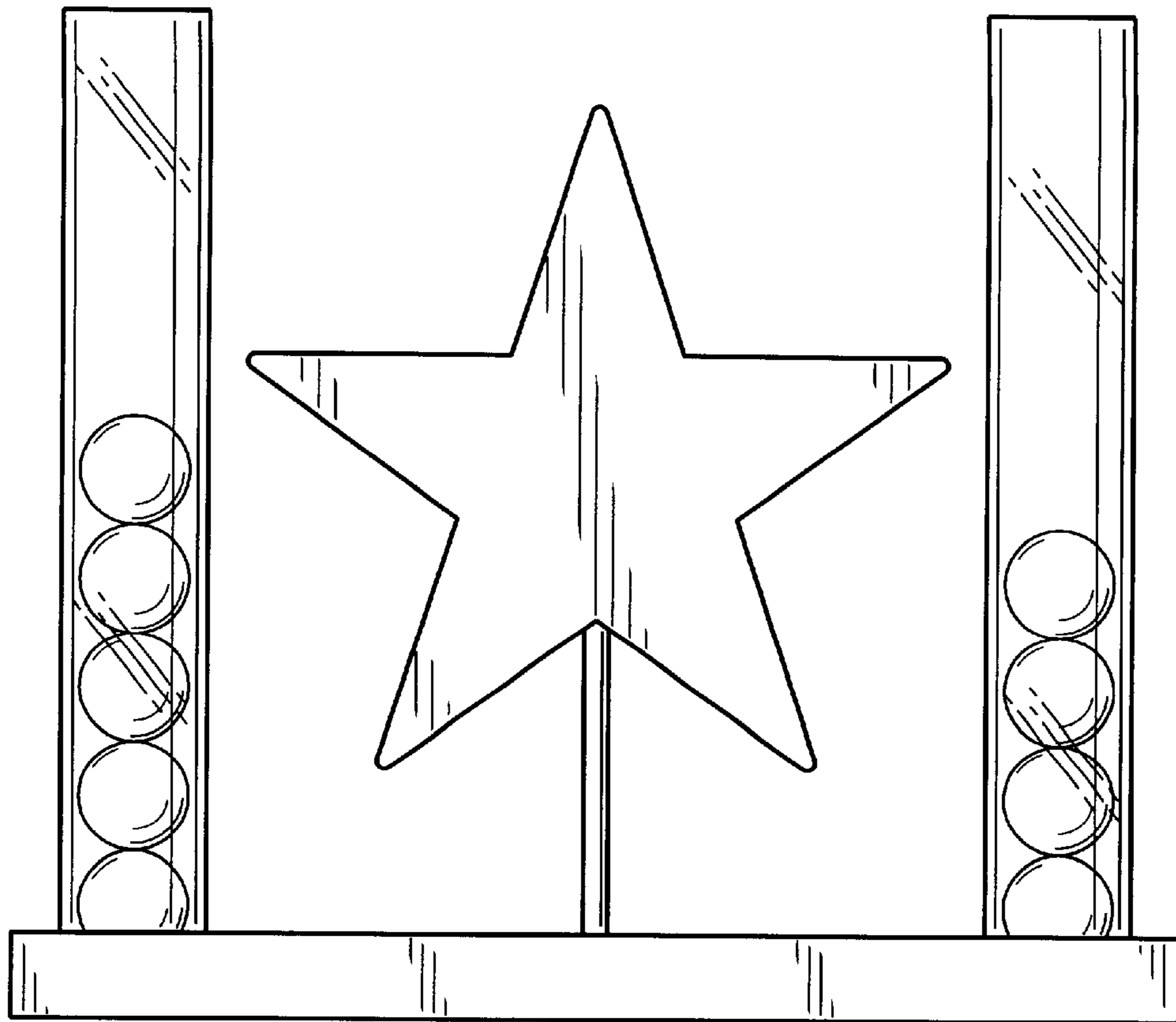
D318,251 S	*	7/1991	Ramadei	.....	D11/131
D369,572 S	*	5/1996	Buck et al.	.....	D11/131
D382,513 S	*	8/1997	Bozzone	.....	D11/157
D428,826 S	*	8/2000	Howard	.....	D11/131

**1 Claim, 3 Drawing Sheets**

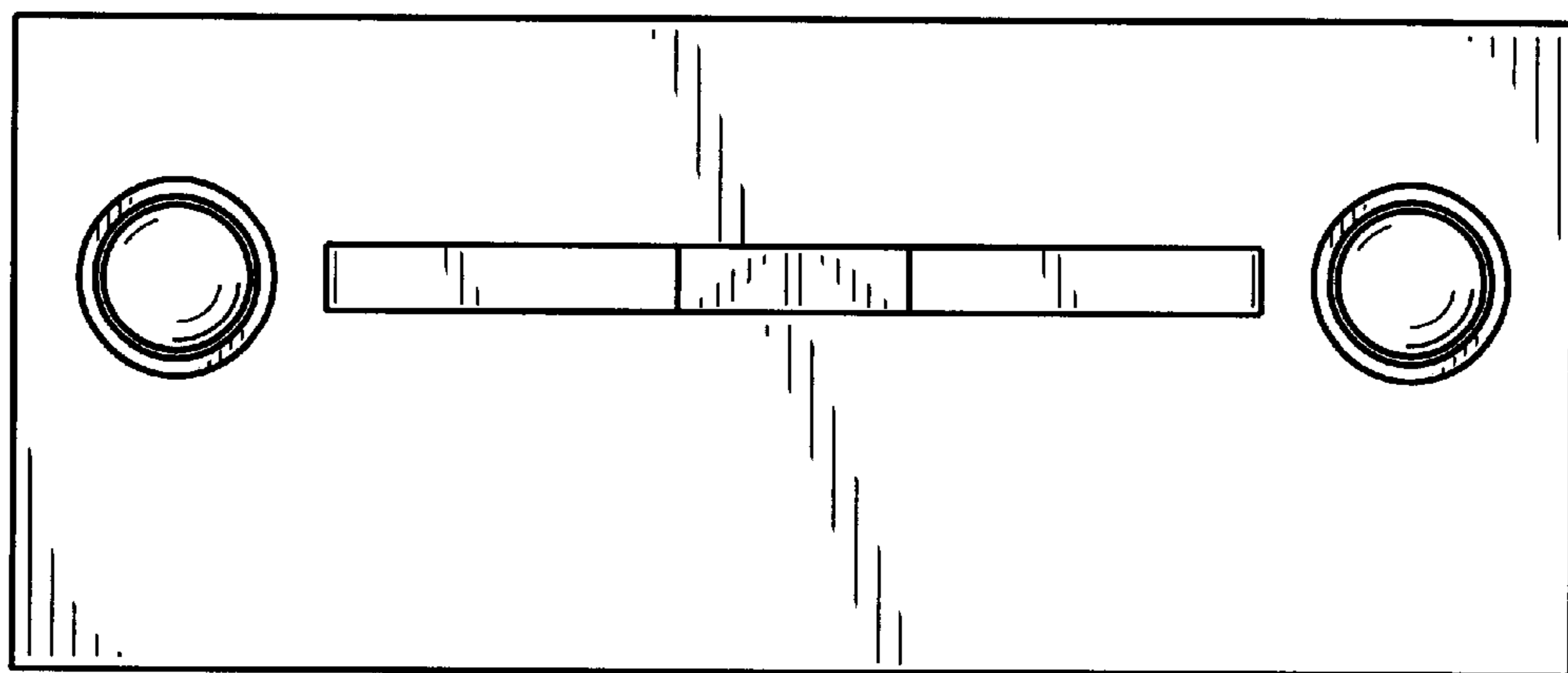




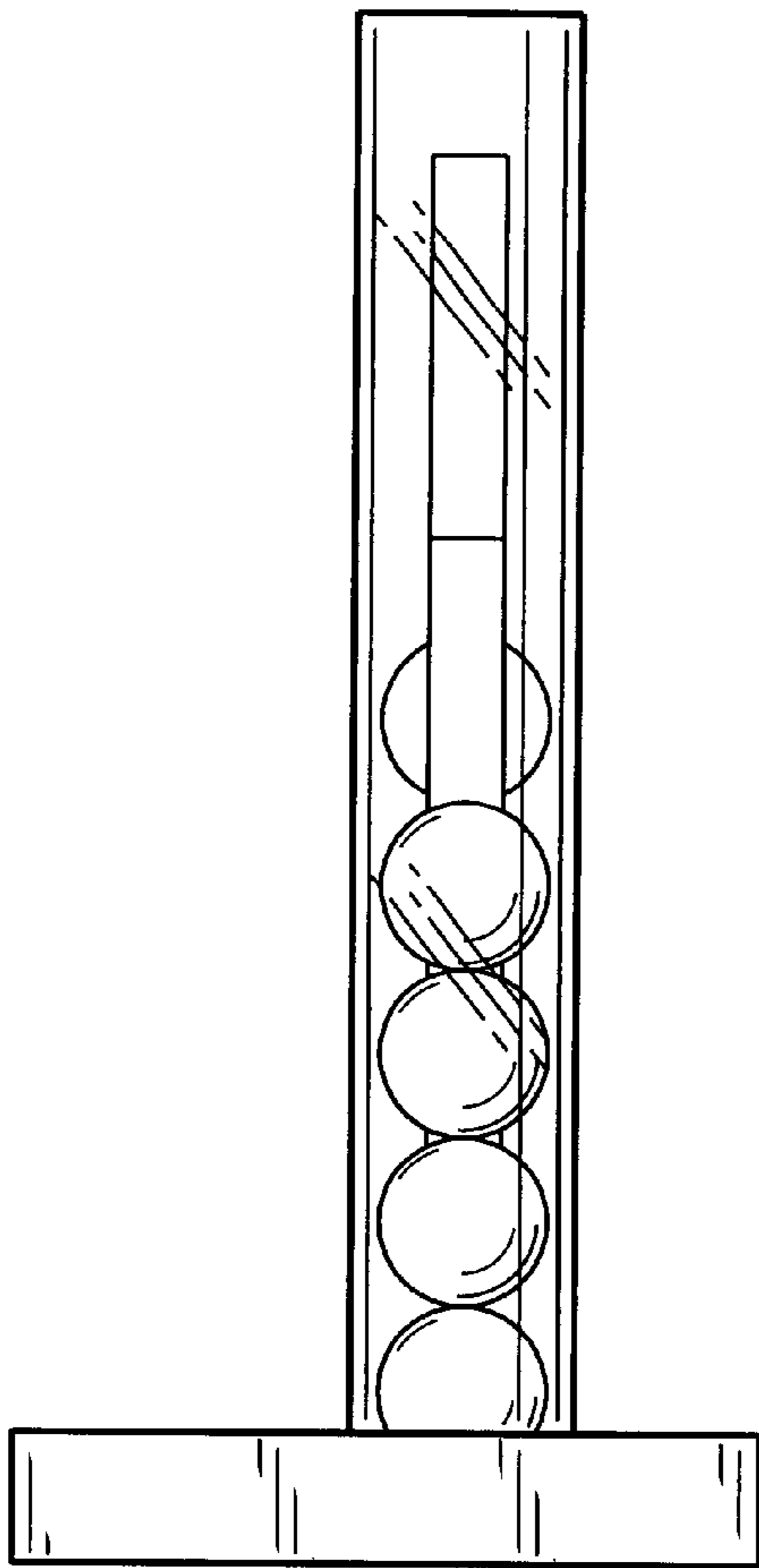
**FIG. 1**



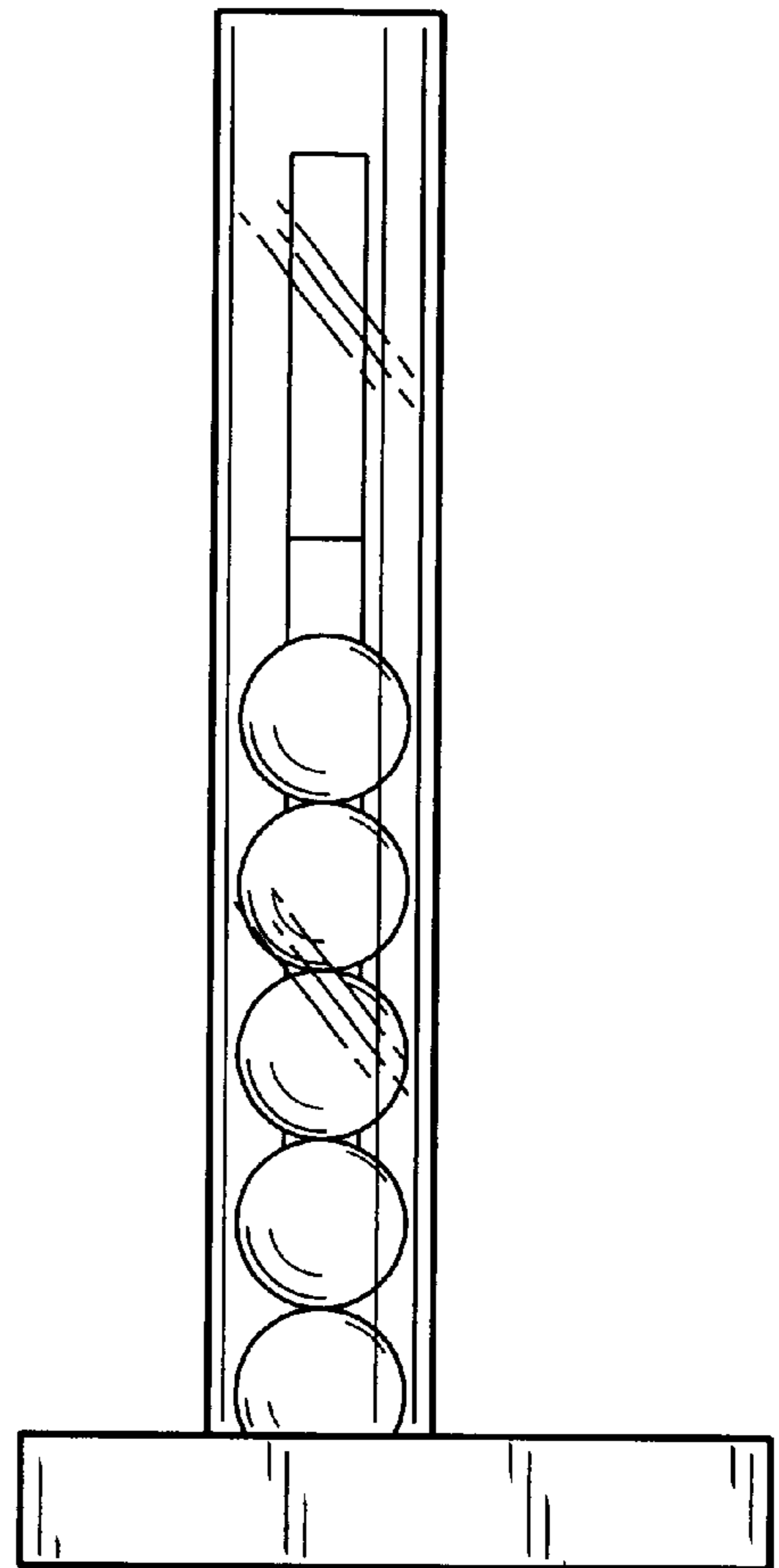
**FIG.\_2**



**FIG.\_5**



**FIG.\_3**



**FIG.\_4**