



US00D484824S

(12) **United States Design Patent**
Namdar

(10) **Patent No.:** **US D484,824 S**

(45) **Date of Patent:** **** *Jan. 6, 2004**

(54) **PRECIOUS STONE**

D401,183 S * 11/1998 Ambar D11/90

(75) Inventor: **Avraham Namdar**, Savion (IL)

* cited by examiner

(73) Assignee: **Schachter & Namdar Polishing Works, Ltd.**, Ramat Gan (IL)

Primary Examiner—Ralf Seifert
(74) *Attorney, Agent, or Firm*—Martin Fleit; Paul D. Bianco; Fleit Kain Gibbons Gutman & Bongini P.L.

(*) Notice: This patent is subject to a terminal disclaimer.

(**) Term: **14 Years**

(57) **CLAIM**

The ornamental design for a precious stone, as shown and described.

(21) Appl. No.: **29/136,482**

(22) Filed: **Jan. 31, 2001**

DESCRIPTION

(30) **Foreign Application Priority Data**

Sep. 3, 2000 (IL) 34075

FIG. 1 is a perspective view of the precious stone showing its new design;

(51) **LOC (7) Cl.** **11-01**

(52) **U.S. Cl.** **D11/90**

FIG. 2 is a top view of the precious stone shown in FIG. 1; FIG. 3 is a bottom view of the precious stone shown in FIG. 1;

(58) **Field of Search** D11/1, 2, 7, 26–29, D11/35–36, 40–46, 78, 89–90; 63/1.1–36

FIG. 4 is a left and right view of the precious stone shown in FIG. 1; and,

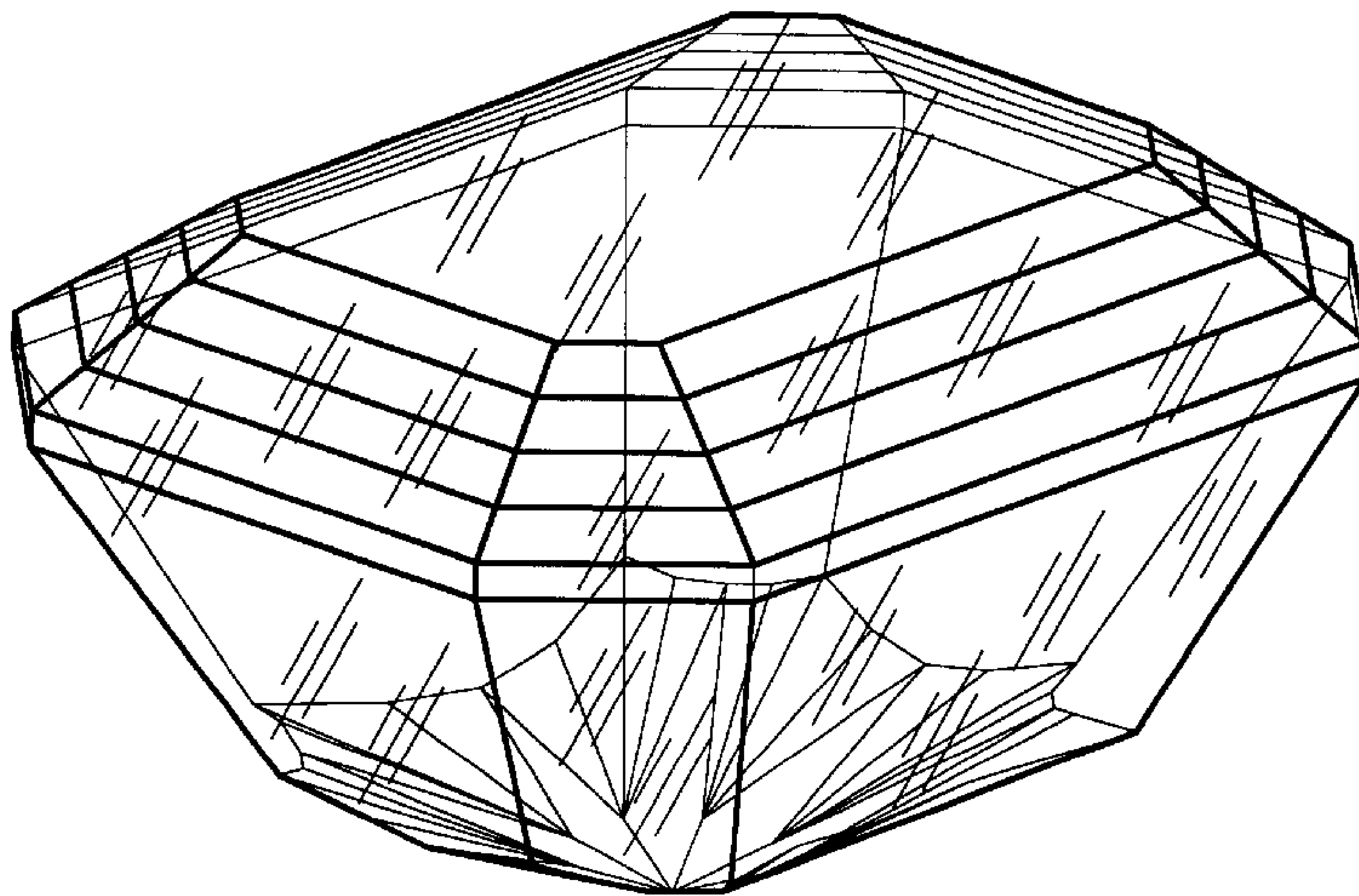
(56) **References Cited**

FIG. 5 is a front and rear view of the precious stone shown in FIG. 1.

U.S. PATENT DOCUMENTS

4,020,649 A * 5/1977 Grossbard 63/32

1 Claim, 3 Drawing Sheets



PERSPECTIVE VIEW

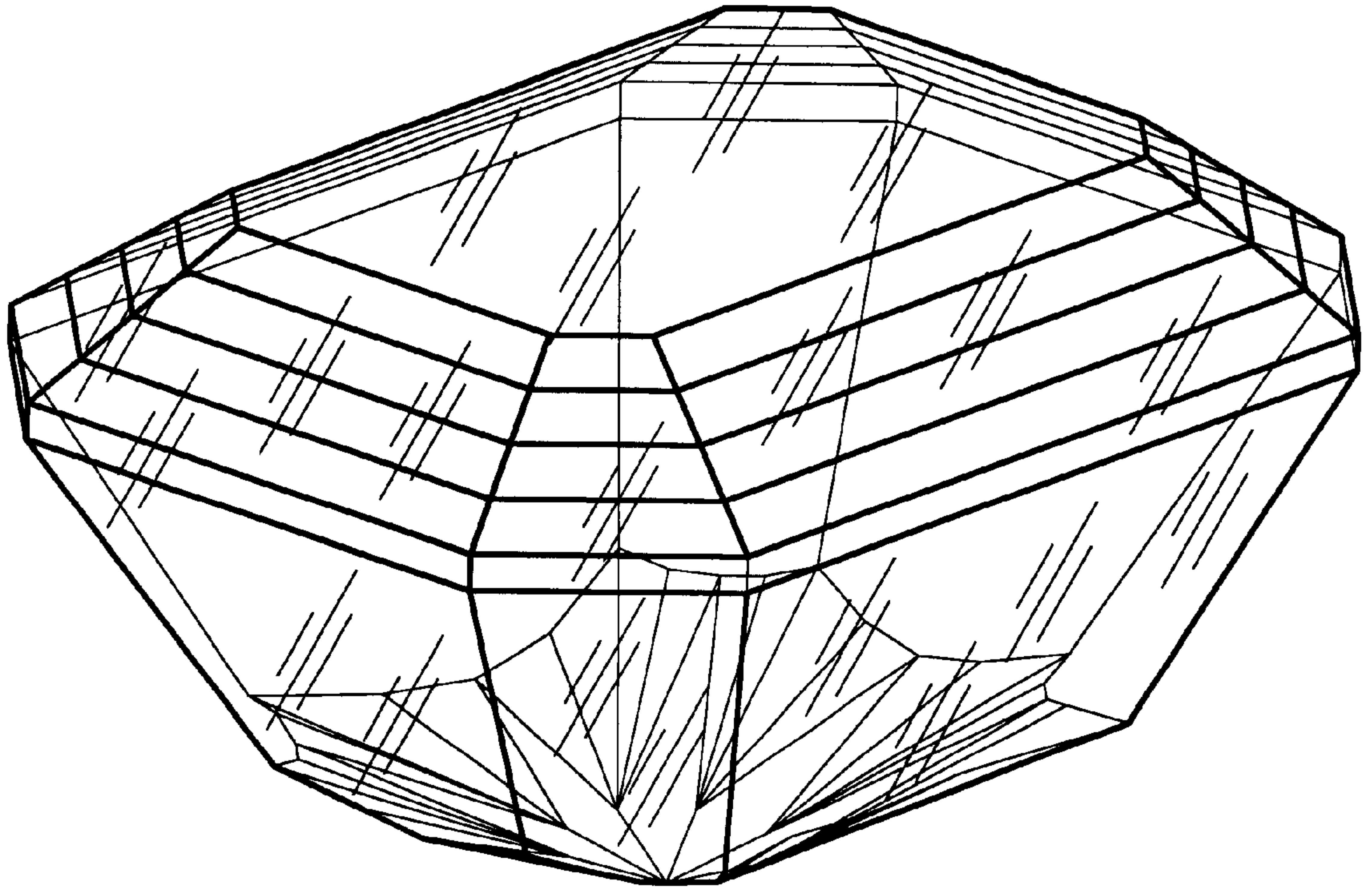


FIG.1
PERSPECTIVE VIEW

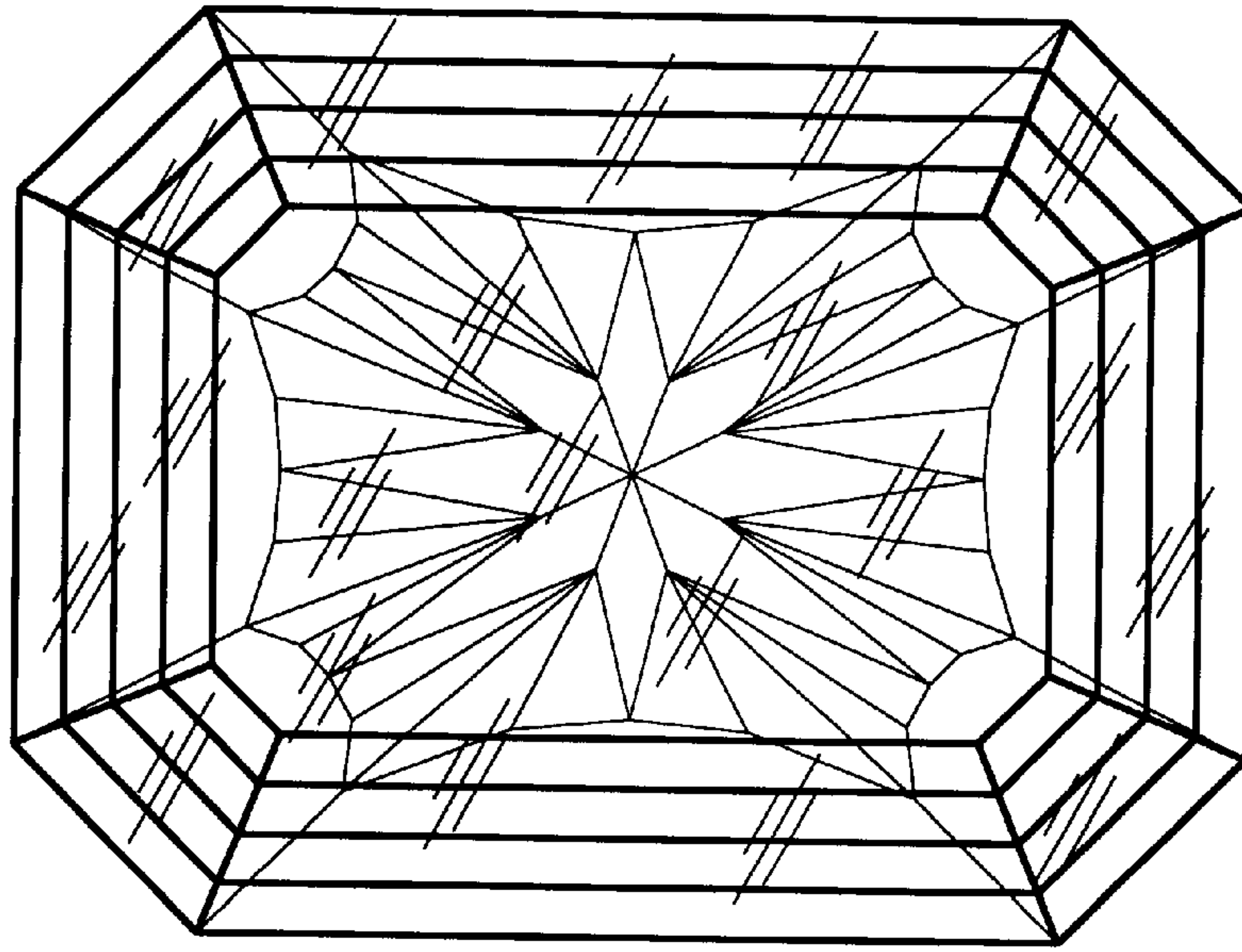


FIG. 2
TOP VIEW

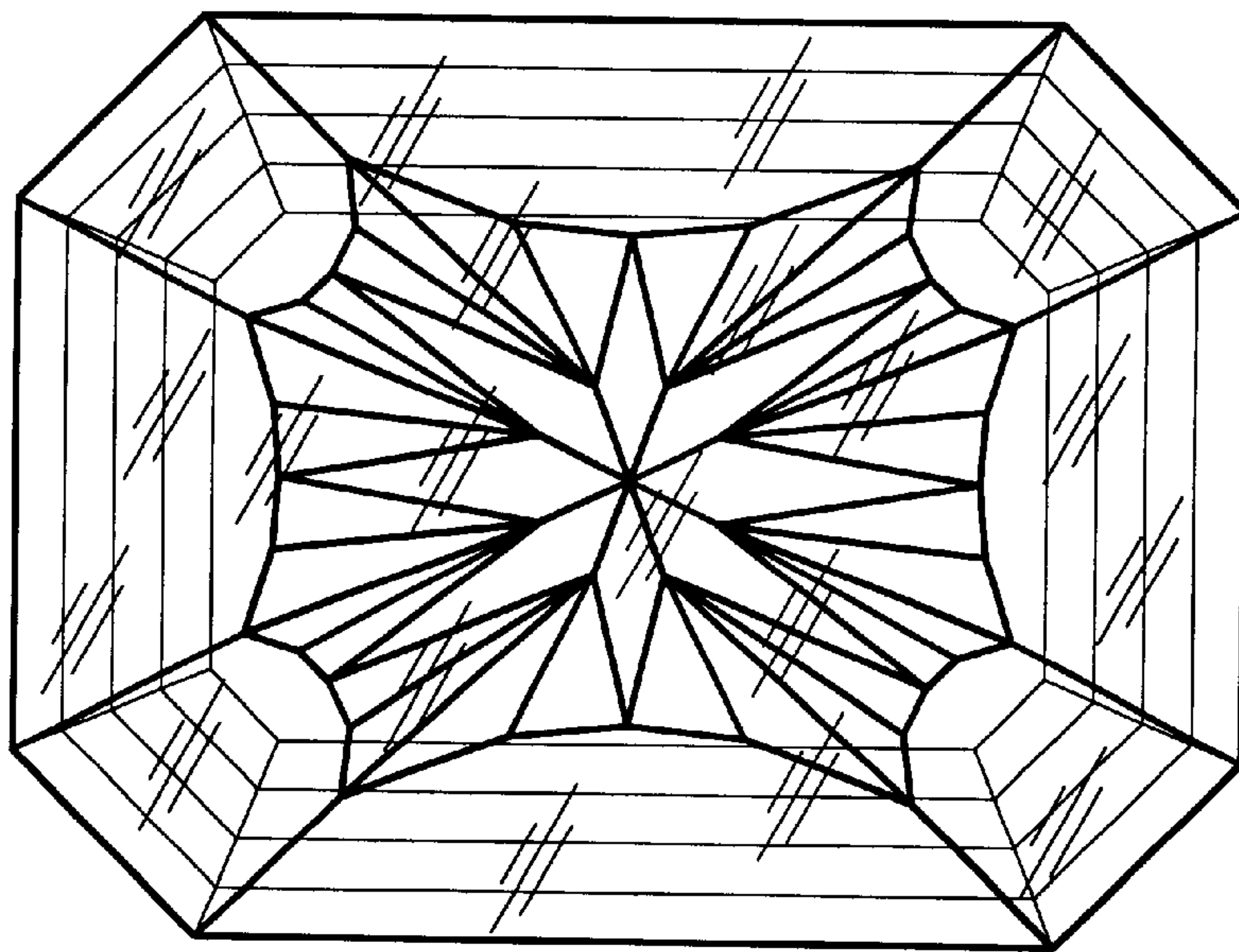


FIG. 3
BOTTOM VIEW

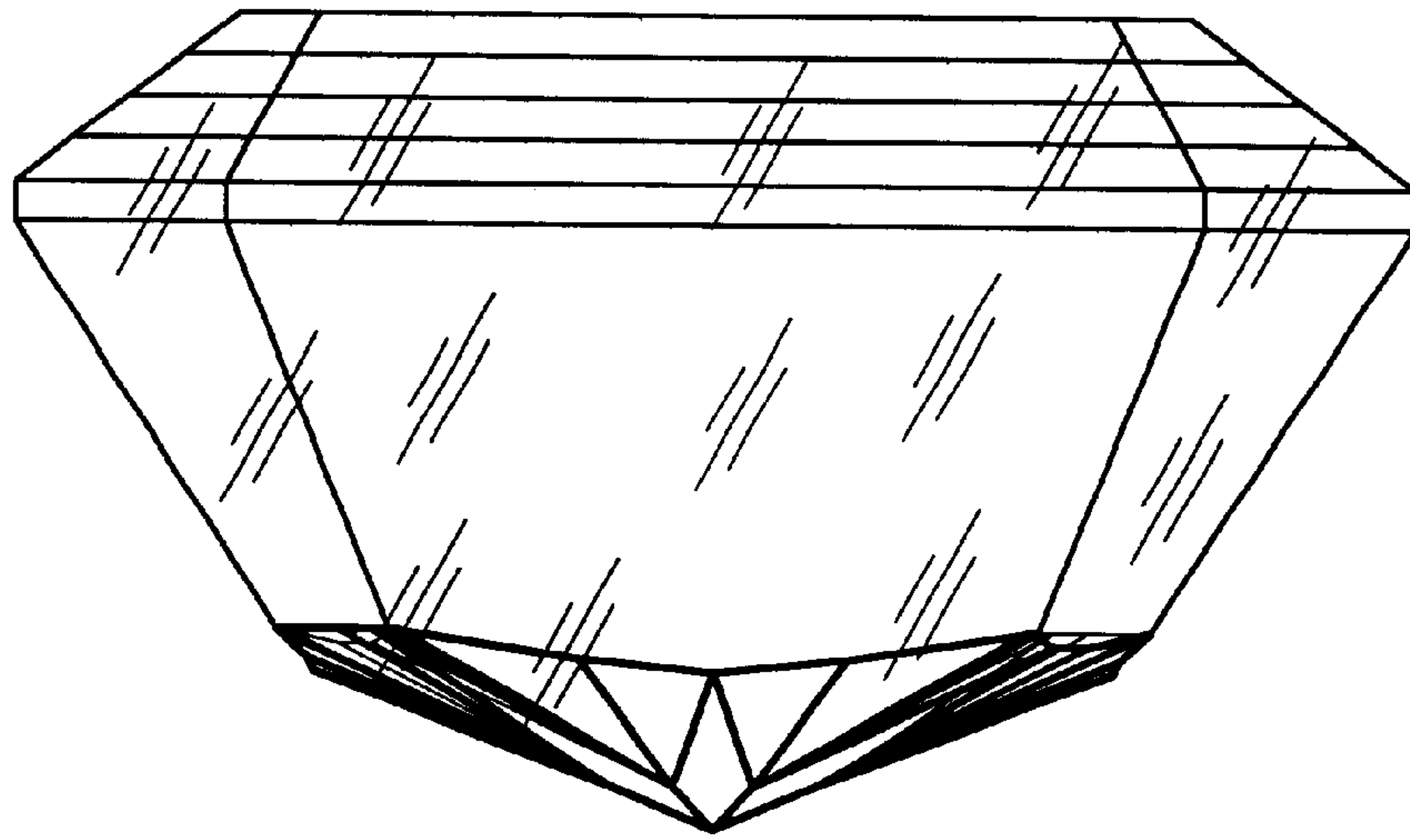


FIG. 4
LEFT & RIGHT VIEW

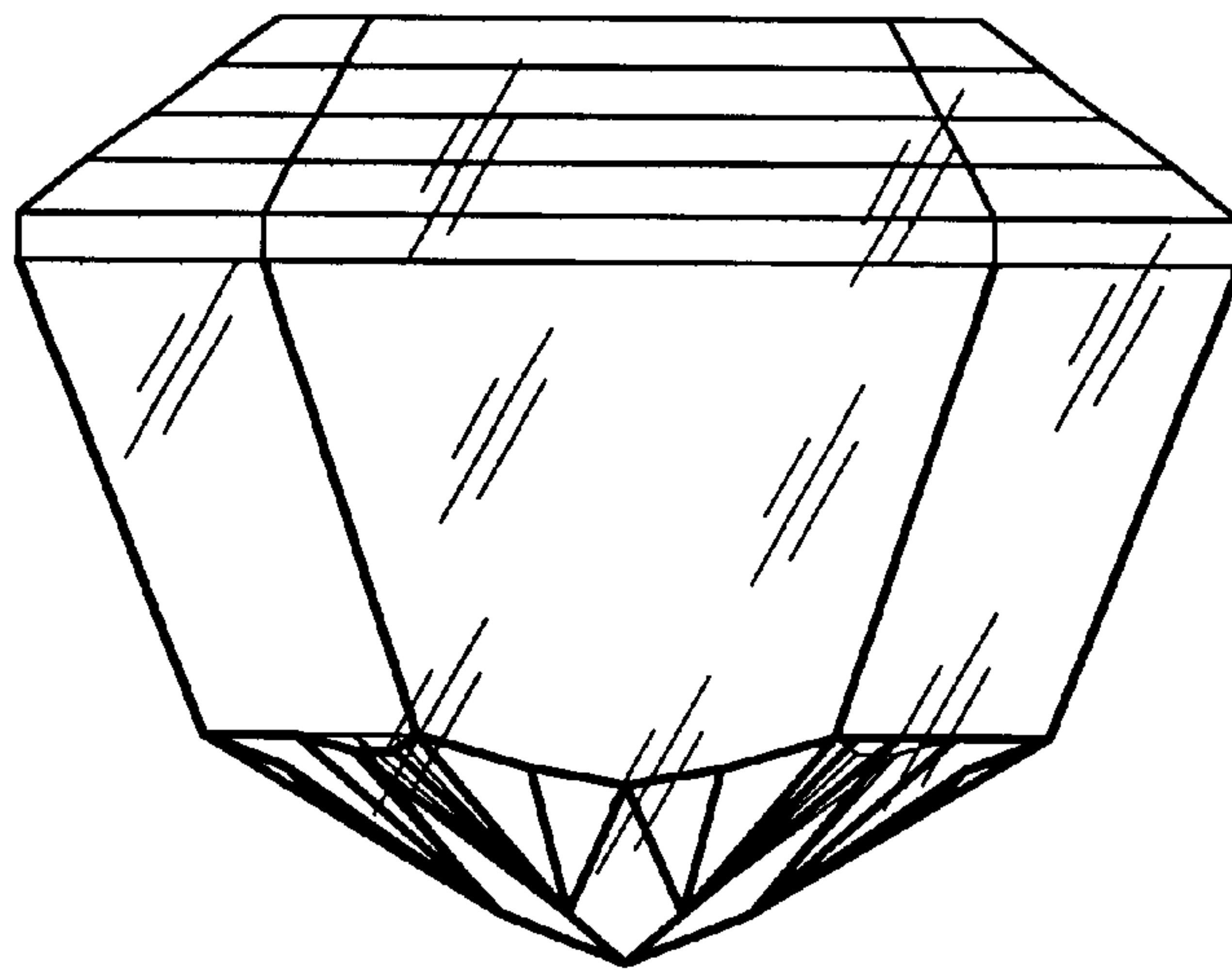


FIG. 5
FRONT & REAR VIEW