



US00D484819S

(12) **United States Design Patent**  
**Marshik et al.**

(10) **Patent No.:** **US D484,819 S**  
(45) **Date of Patent:** **\*\* Jan. 6, 2004**

(54) **TANK LEVEL SENSOR**

(75) Inventors: **Michael J. Marshik**, Circles Pines, MN (US); **Kenneth J. Krieter**, Edina, MN (US)

(73) Assignee: **Graco Minnesota Inc.**, Minneapolis, MN (US)

(\*\*) Term: **14 Years**

(21) Appl. No.: **29/169,513**

(22) Filed: **Oct. 7, 2002**

(51) **LOC (7) Cl.** ..... **10-04**

(52) **U.S. Cl.** ..... **D10/101**

(58) **Field of Search** ..... D10/46, 56, 101; 73/313, 309, 321; 200/846, 61.2; 33/716; 335/205; 340/332, 450, 623; 700/46, 282, 283; 137/87.03; 184/17, 7.4; 222/544

(56) **References Cited**

**U.S. PATENT DOCUMENTS**

3,715,539 A \* 2/1973 Silberg et al. .... 200/84 C

D282,247 S \* 1/1986 Faris et al. .... D10/101 X  
6,508,120 B2 \* 1/2003 Yekutiely et al. .... 73/309  
6,567,710 B1 \* 5/2003 Boelkins ..... 700/46

\* cited by examiner

*Primary Examiner*—Antoine Duval Davis

(74) *Attorney, Agent, or Firm*—Douglas B. Farrow

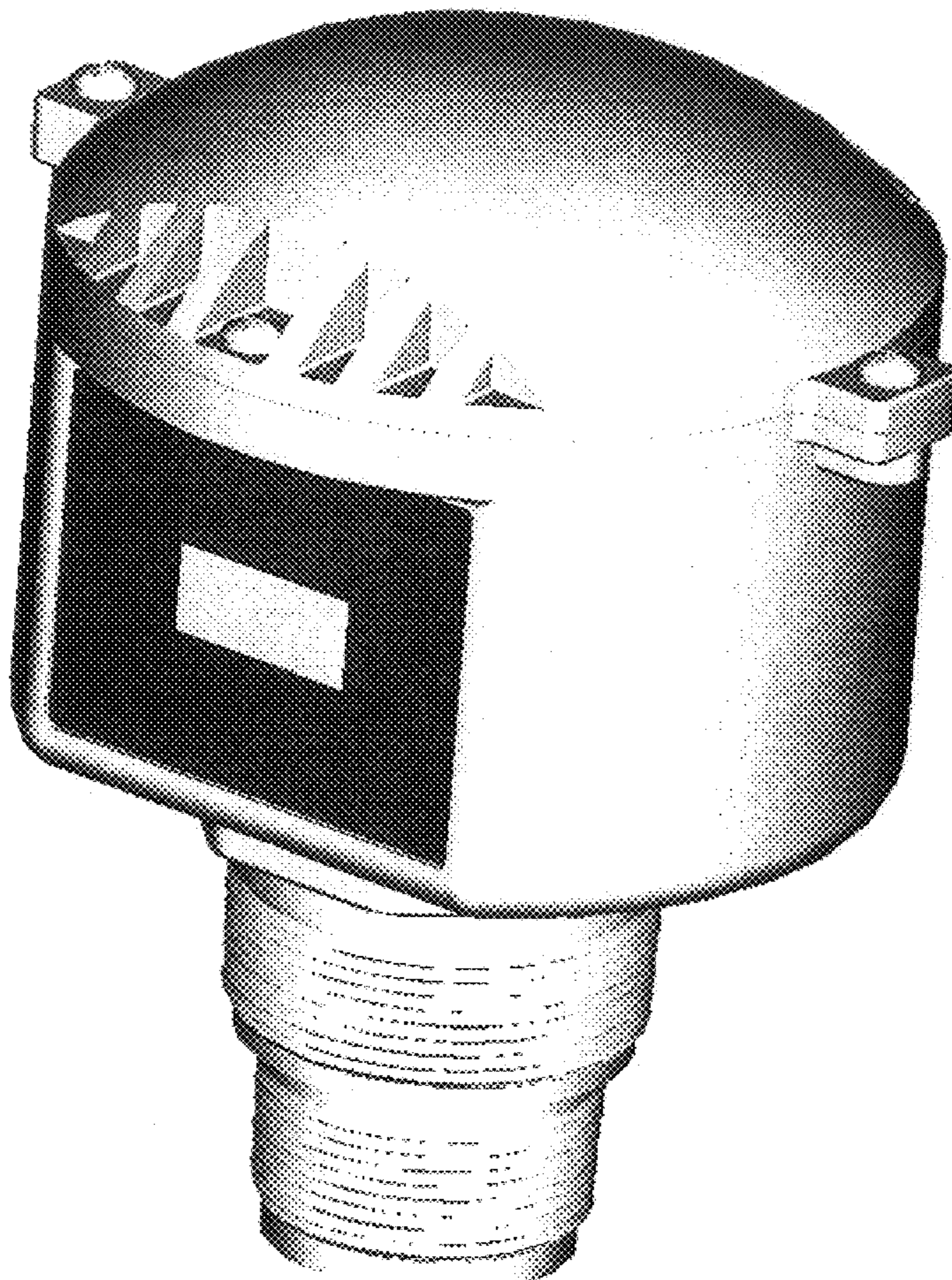
(57) **CLAIM**

The ornamental design for the tank level sensor, as shown and described.

**DESCRIPTION**

FIG. 1 is a front elevation view of the tank level sensor; FIG. 2 is a rear elevation view thereof; FIG. 3 is a left side elevation view thereof and is a mirror image of the right side. FIG. 4 is a top plan view thereof; FIG. 5 is a bottom plan view thereof; and, FIG. 6 is a perspective view thereof.

**1 Claim, 6 Drawing Sheets**



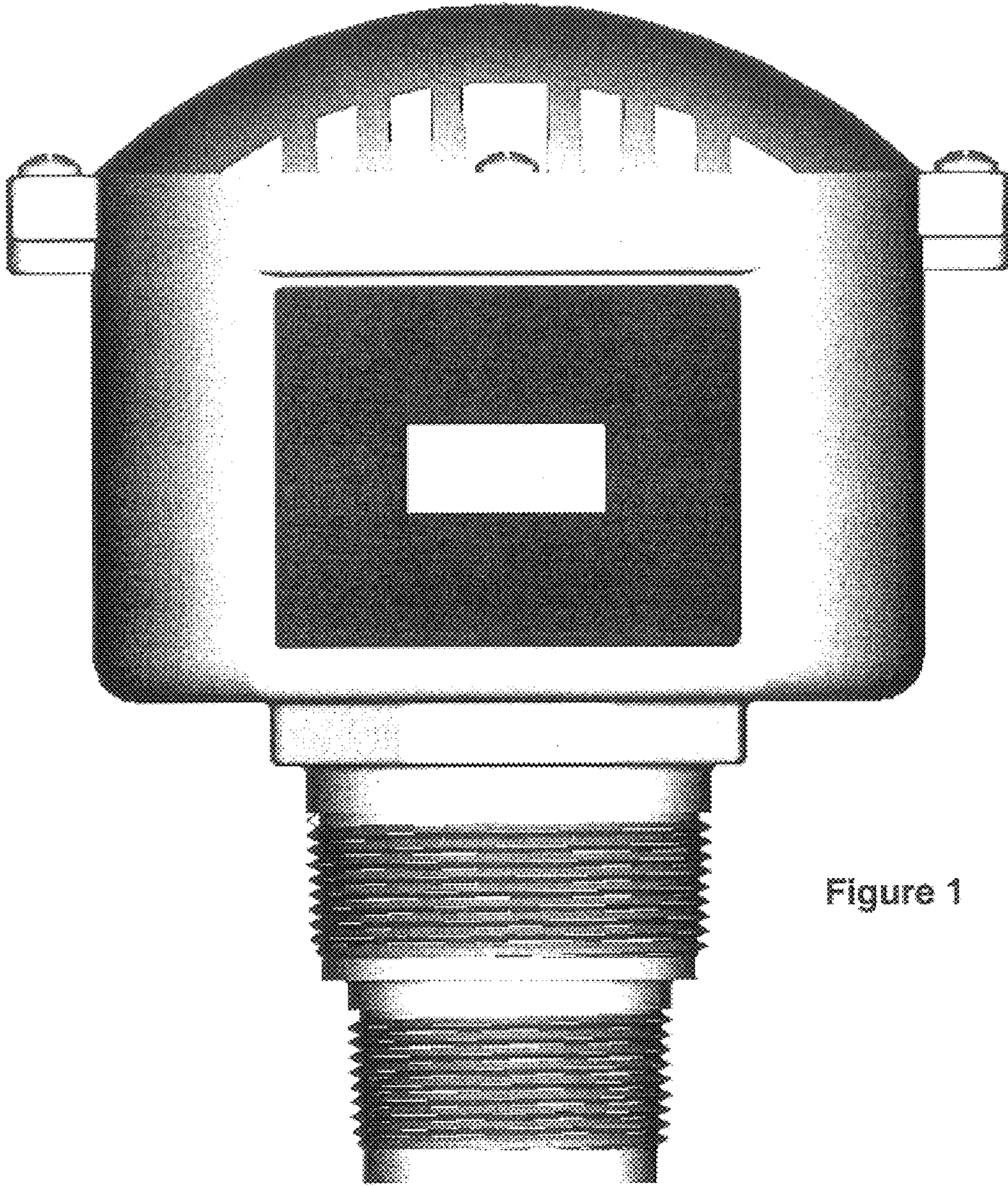


Figure 1

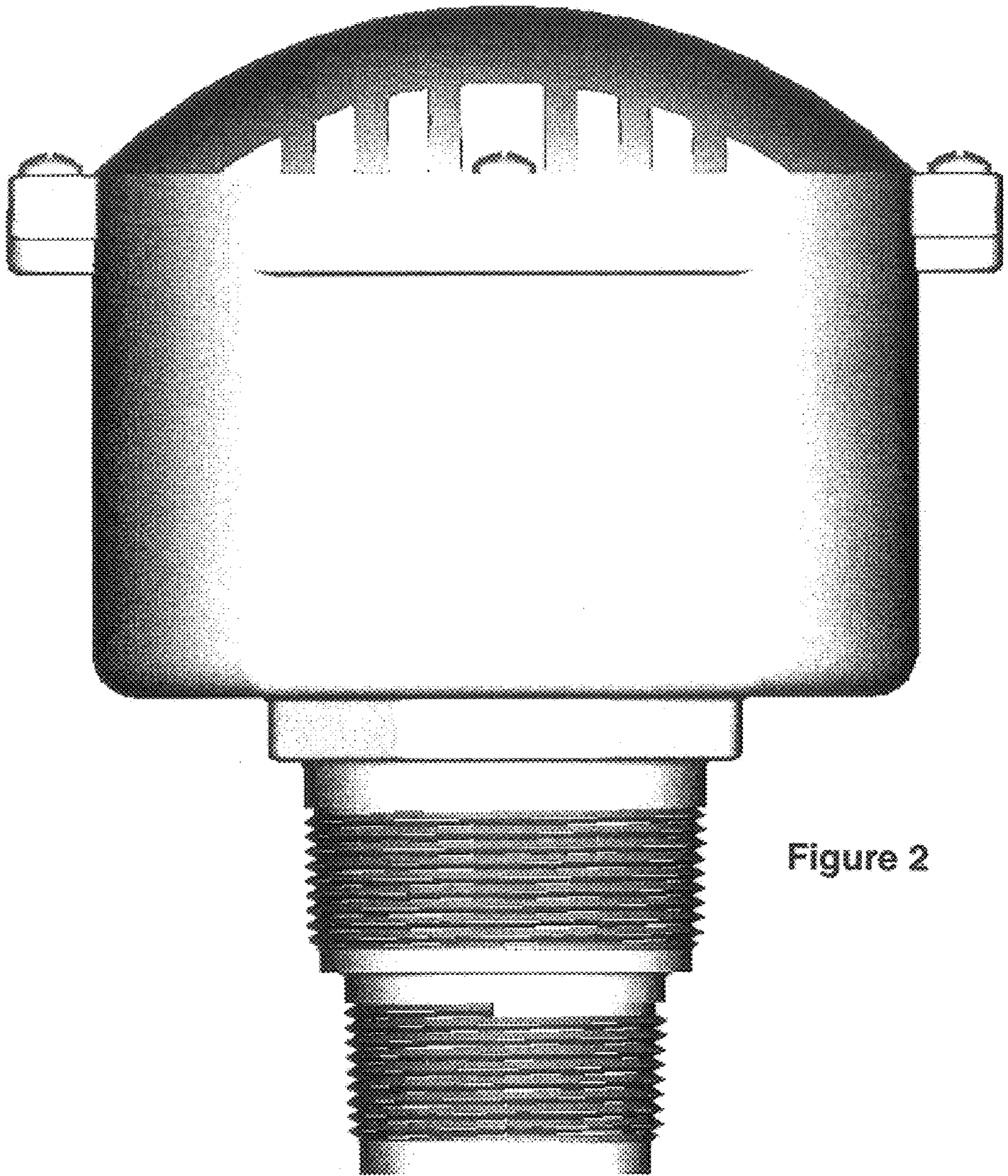


Figure 2

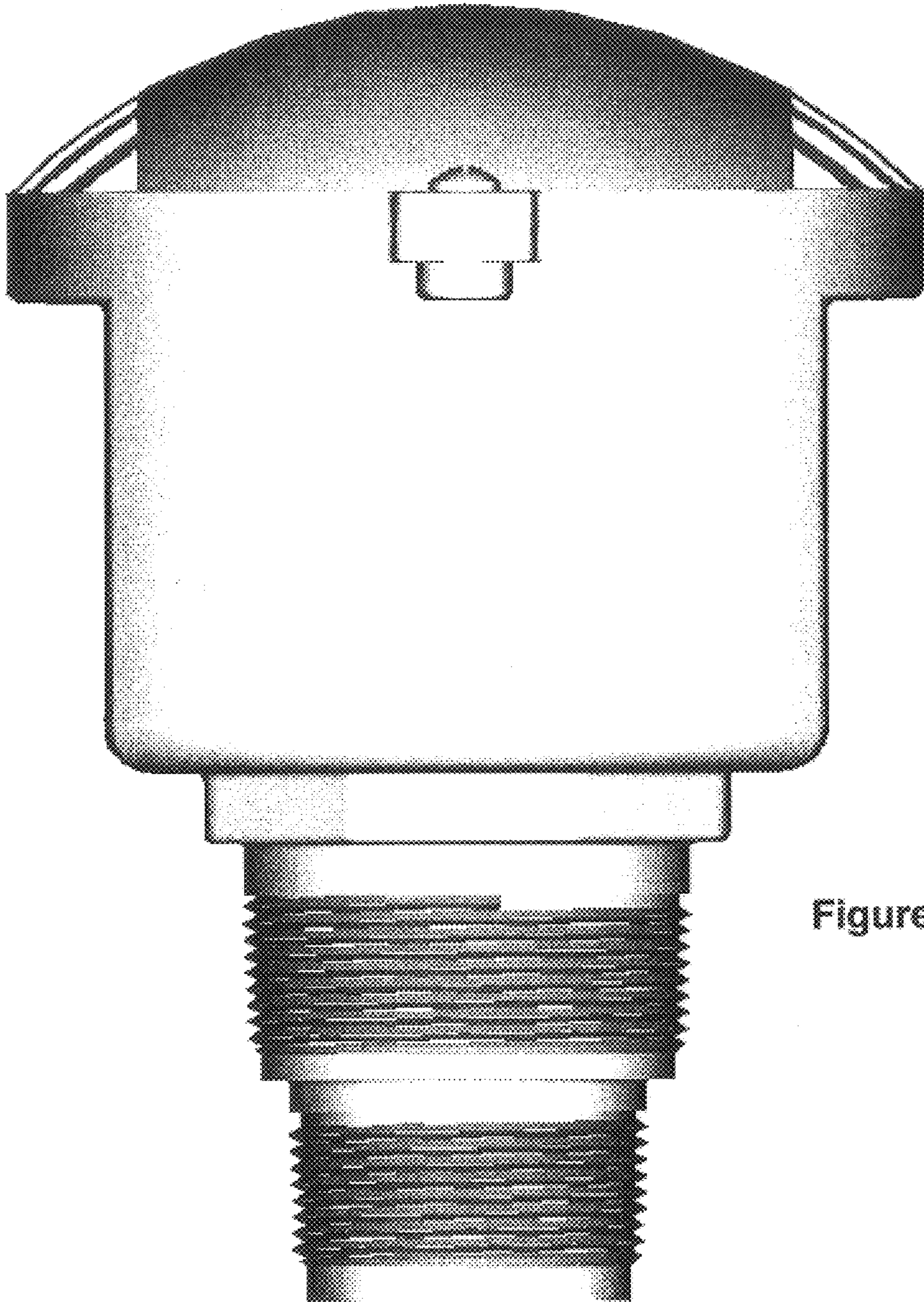


Figure 3

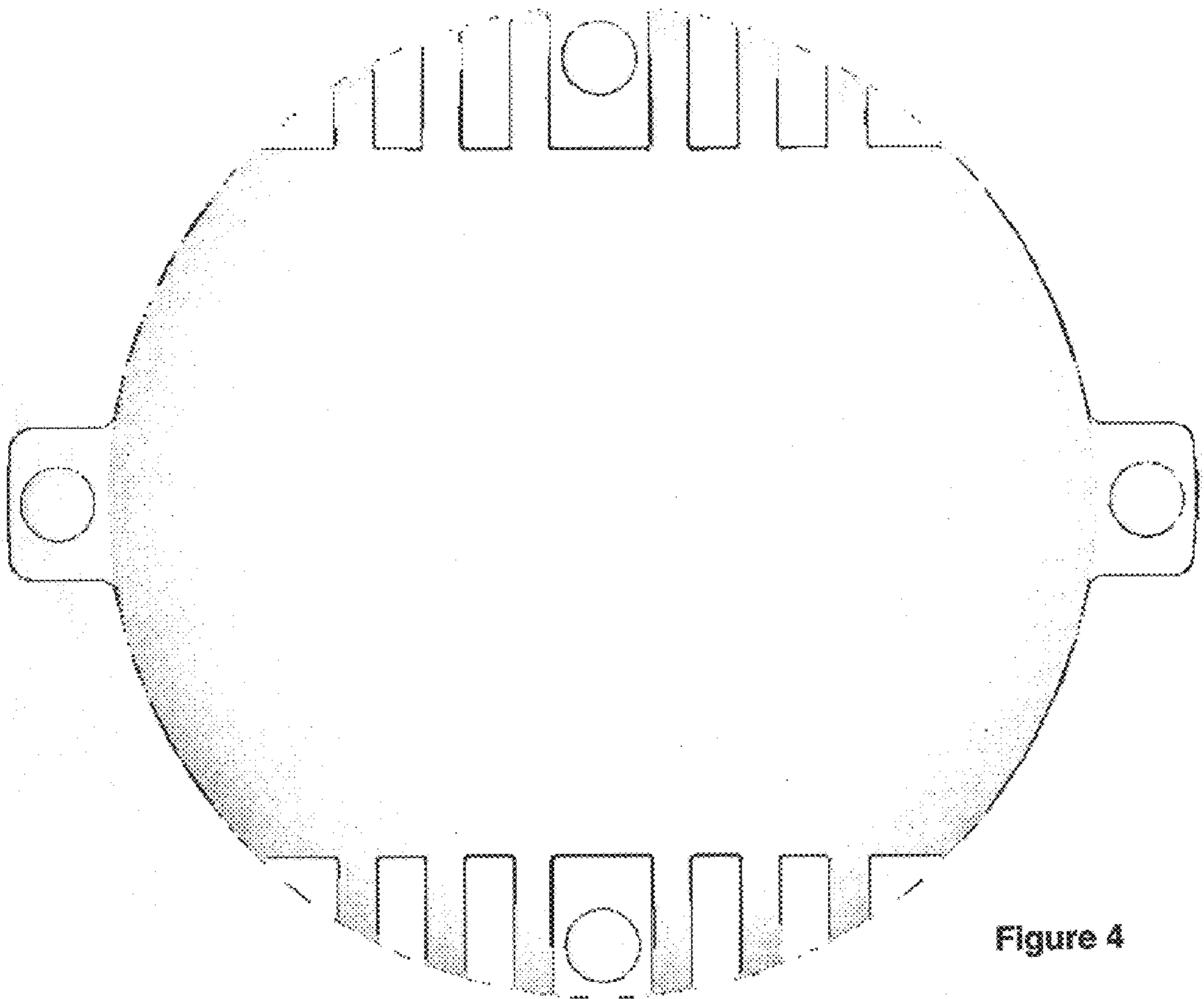


Figure 4

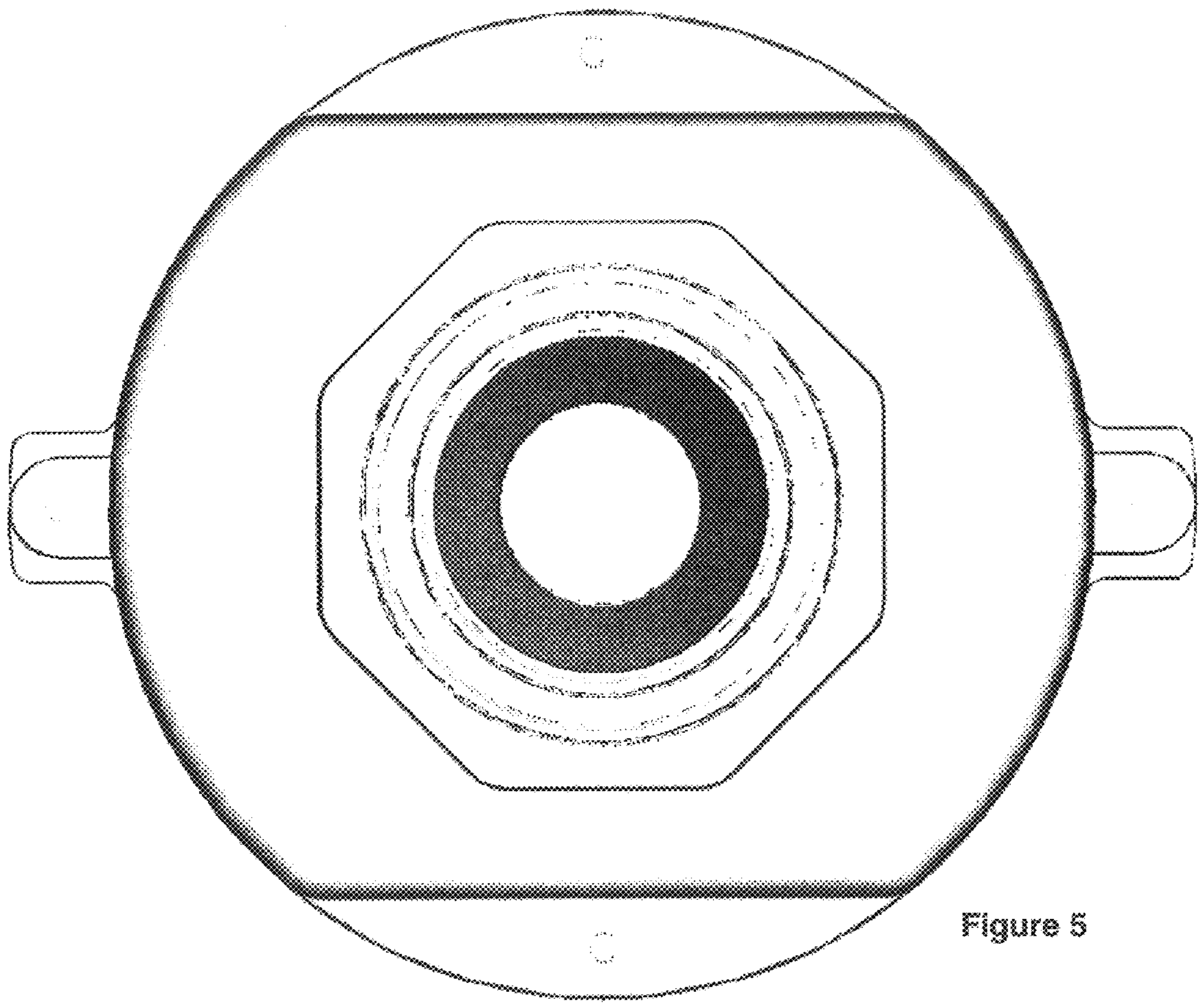


Figure 5

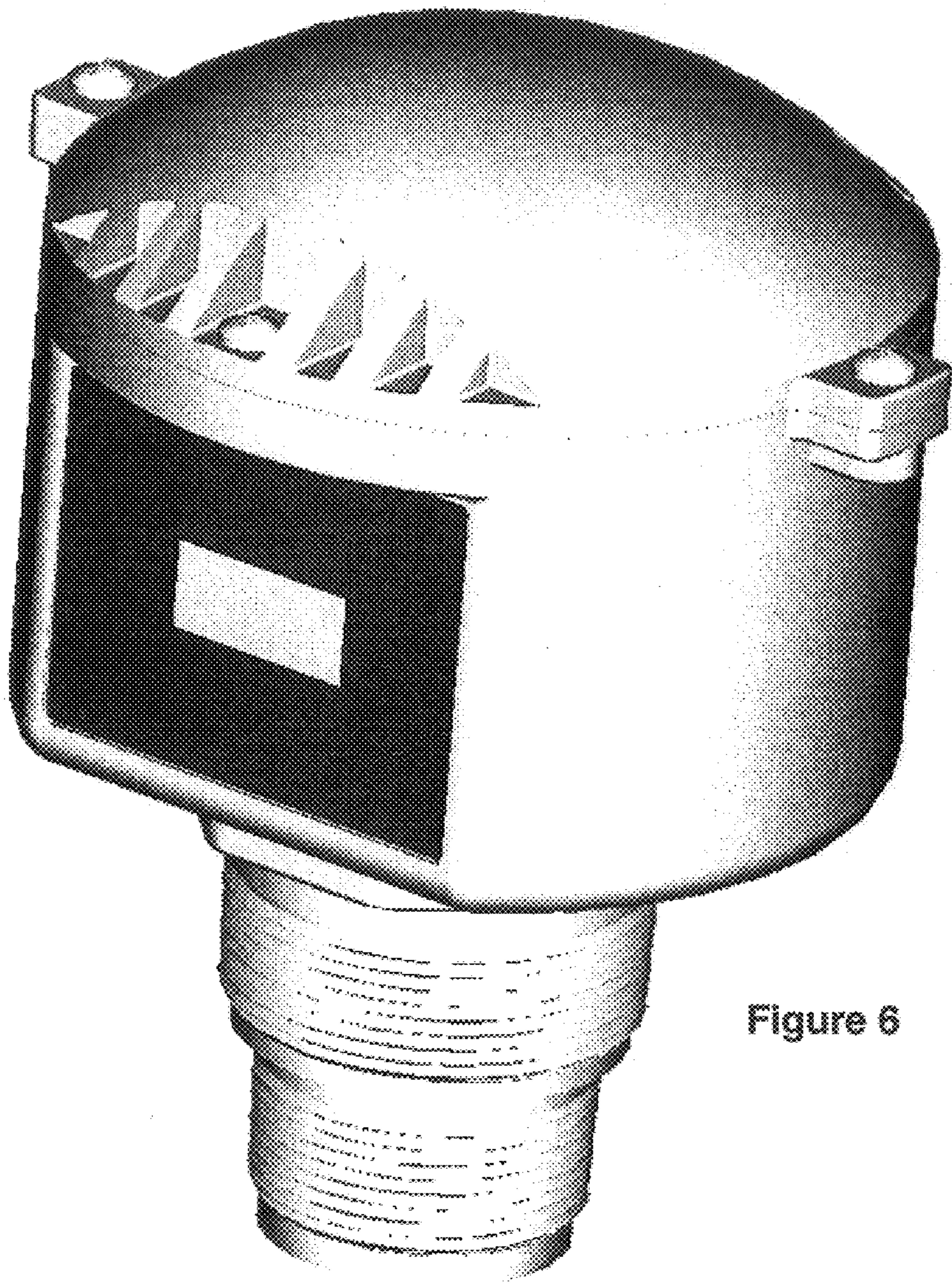


Figure 6