



US00D484817S

(12) **United States Design Patent**
Stekelenburg

(10) **Patent No.:** **US D484,817 S**

(45) **Date of Patent:** **** Jan. 6, 2004**

(54) **TIMER**

(75) **Inventor:** **Albert Stekelenburg, Taipei (TW)**

(73) **Assignee:** **All-Time Inc., Taipei (TW)**

(**) **Term:** **14 Years**

(21) **Appl. No.:** **29/183,703**

(22) **Filed:** **Jun. 17, 2003**

(51) **LOC (7) Cl.** **10-03**

(52) **U.S. Cl.** **D10/40**

(58) **Field of Search** D10/1-40, 122-132;
368/96-100, 107-121, 276-277, 285, 316,
317, 10

(56) **References Cited**

U.S. PATENT DOCUMENTS

D282,826 S * 3/1986 Hoogner D10/40

D431,195 S * 9/2000 Clivio D10/40
D449,234 S * 10/2001 Stekelenburg D10/40
D467,187 S * 12/2002 Clivio D10/40

* cited by examiner

Primary Examiner—Nelson C. Holtje

(74) *Attorney, Agent, or Firm*—Troxell Law Office PLLC

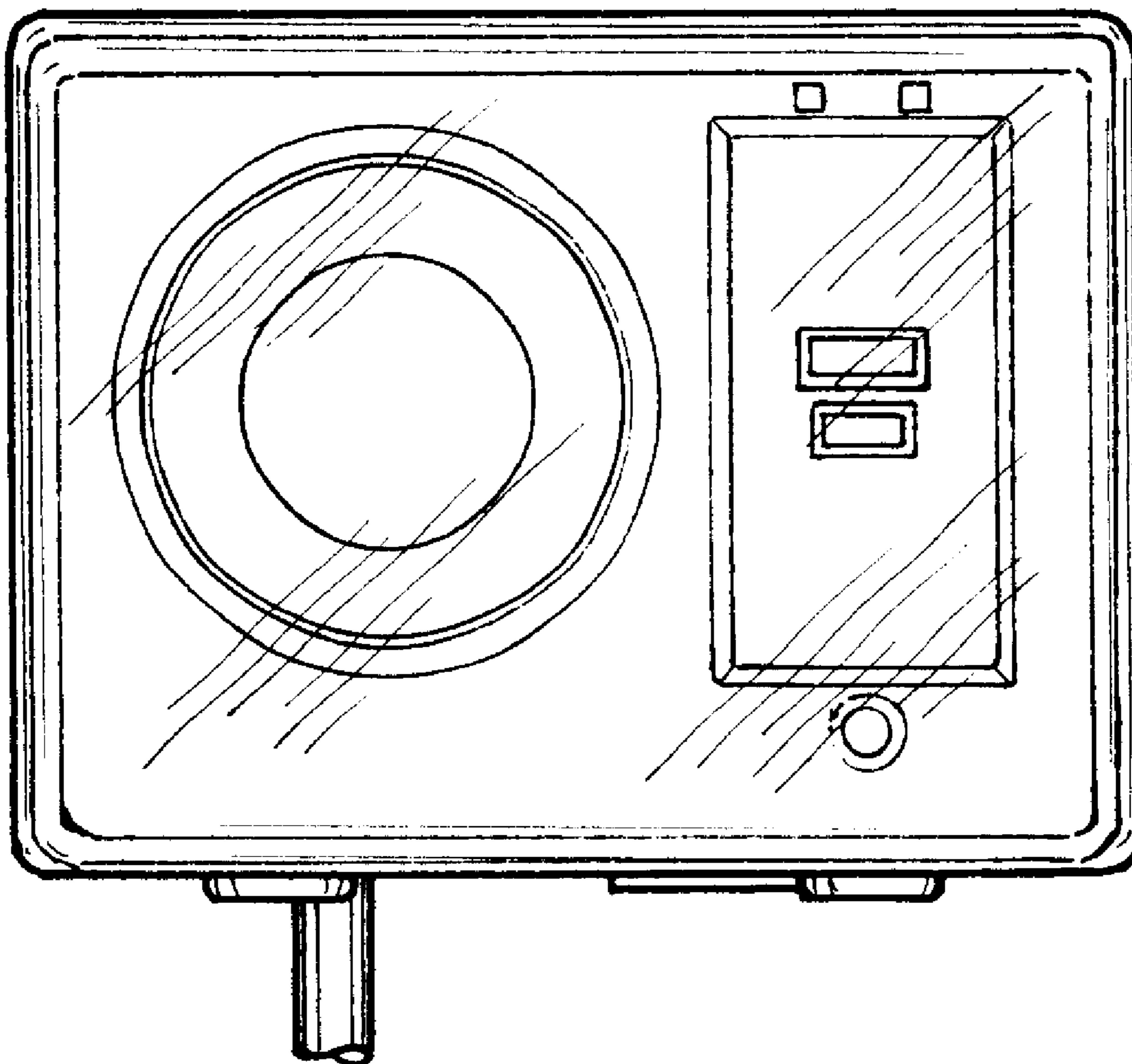
(57) **CLAIM**

The ornamental design for a timer, as shown and described.

DESCRIPTION

FIG. 1 is a top view of a timer showing of my new design;
FIG. 2 is a top view thereof;
FIG. 3 is a right side elevational view thereof;
FIG. 4 is a bottom view thereof;
FIG. 5 is a left side view thereof; and,
FIG. 6 is a rear view thereof.

1 Claim, 2 Drawing Sheets



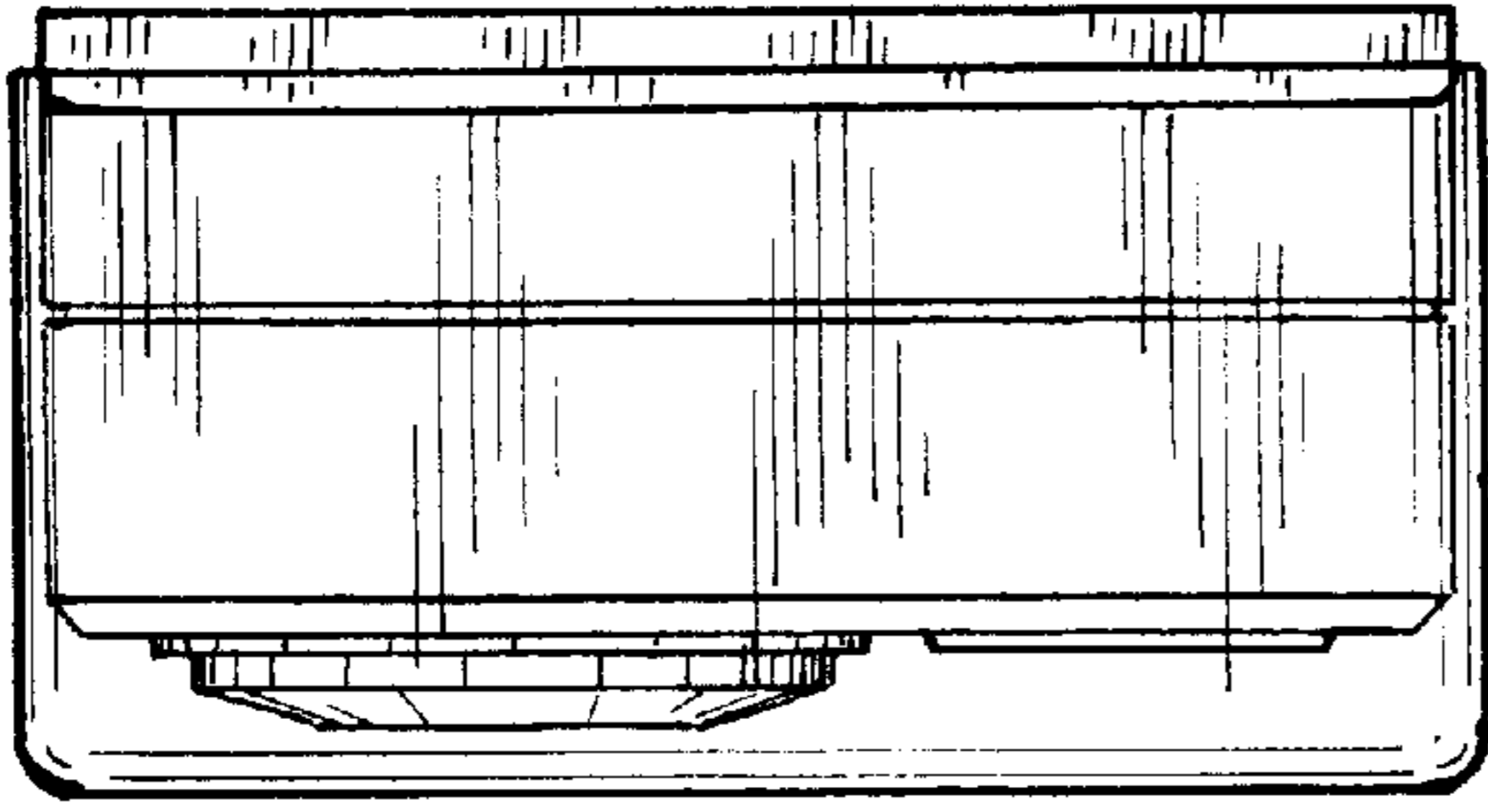


FIG. 1

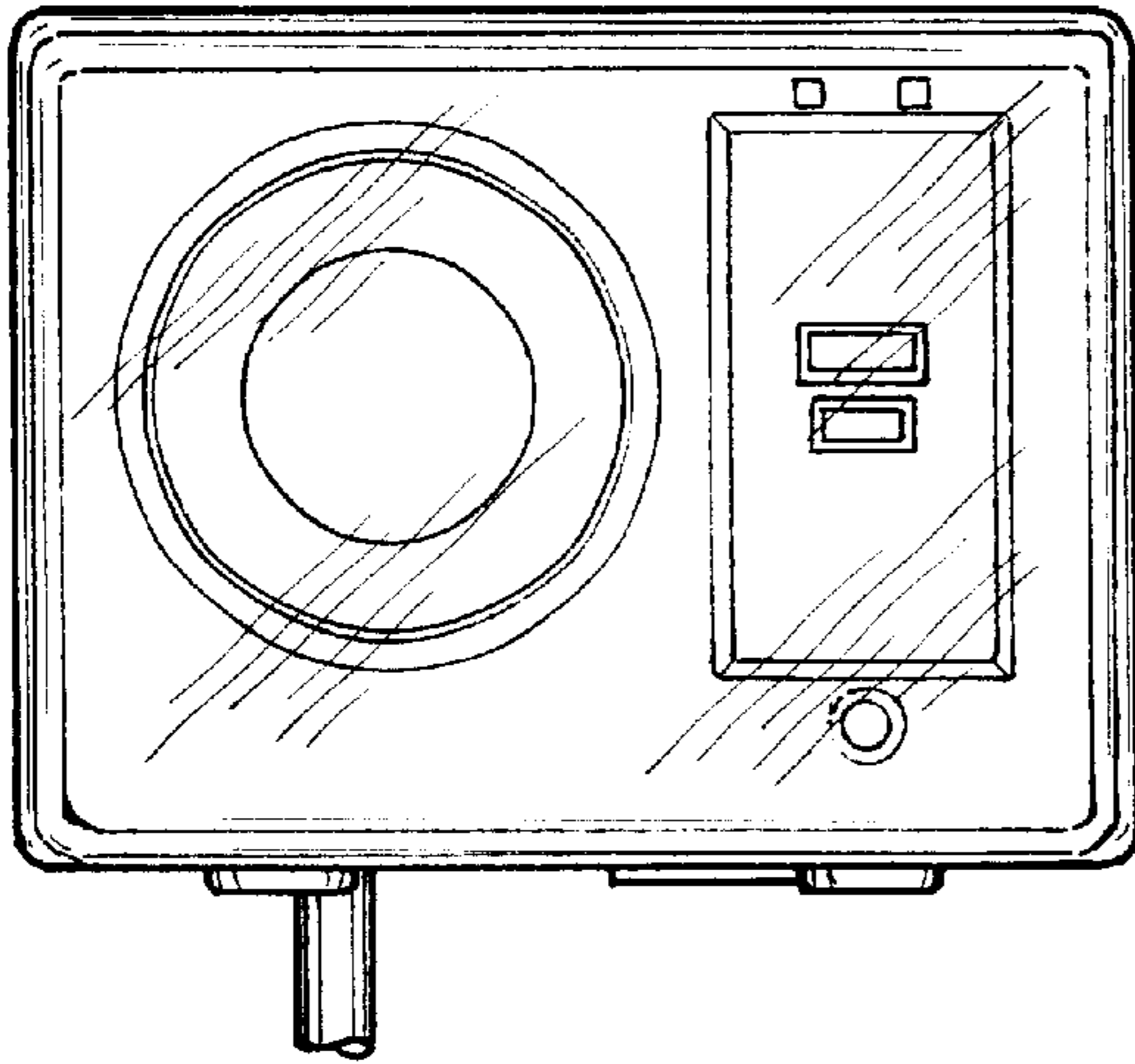


FIG. 2

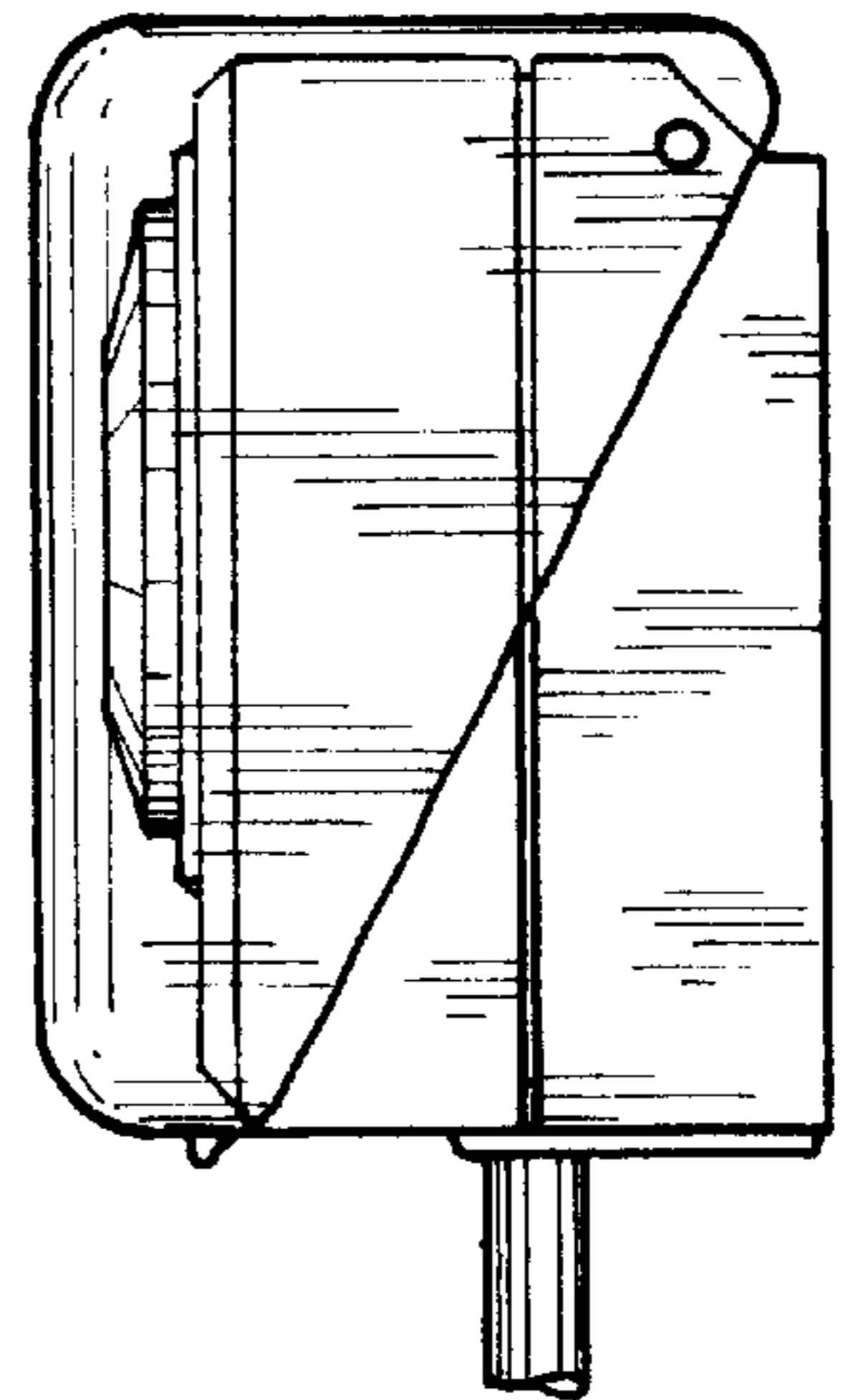


FIG. 3

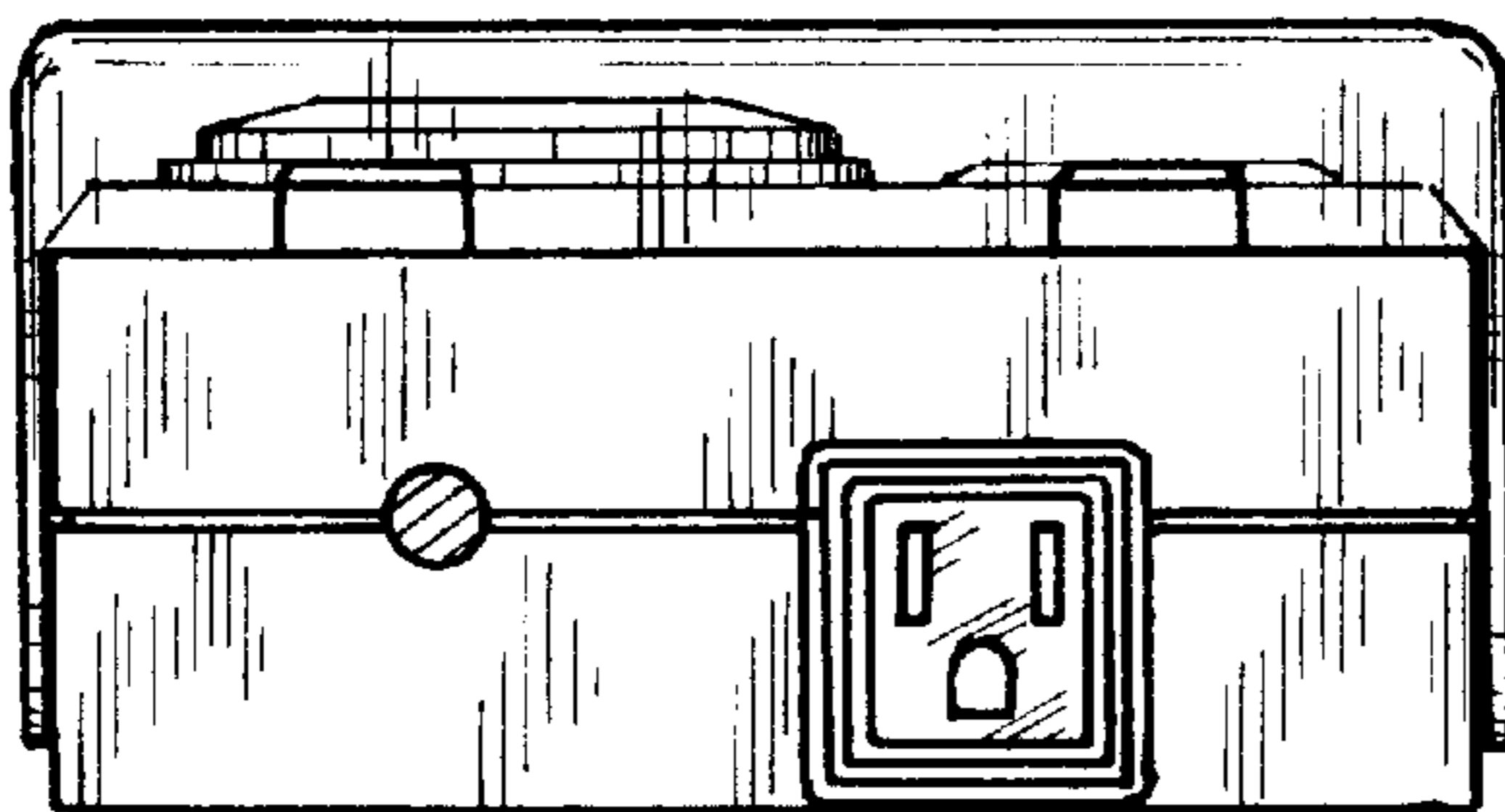


FIG. 4

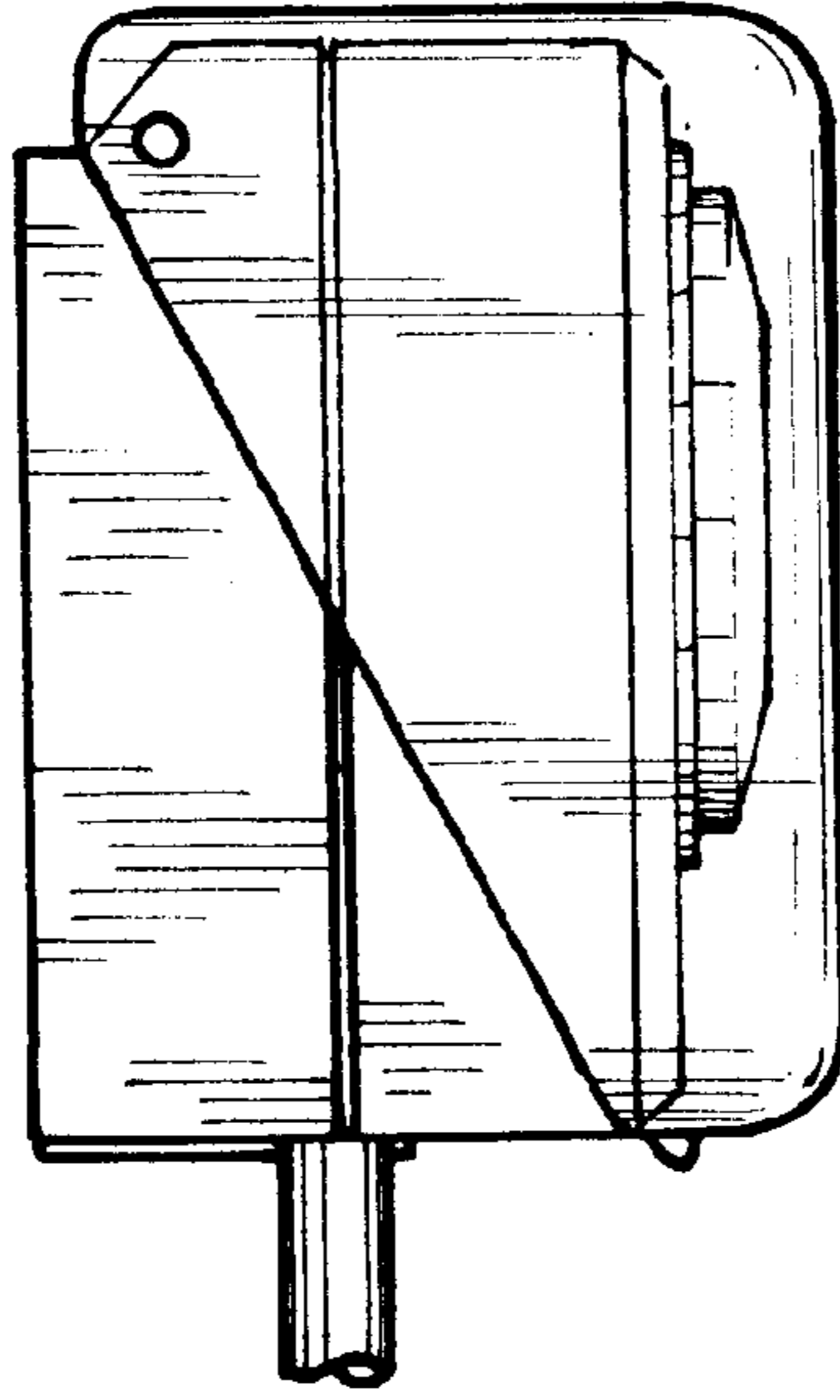


FIG. 5

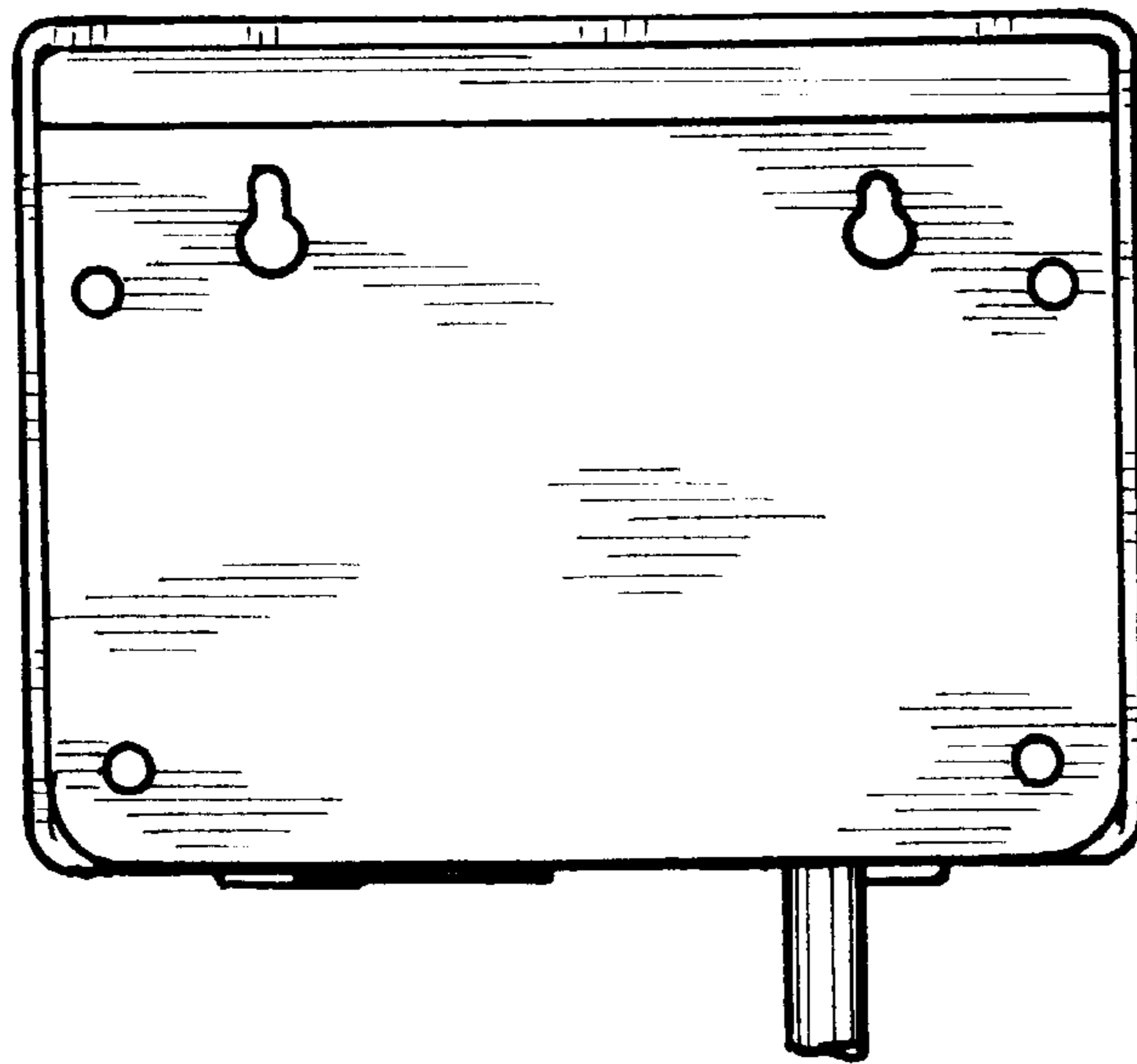


FIG. 6