



US00D484798S

(12) **United States Design Patent**
Bukowski

(10) **Patent No.:** **US D484,798 S**

(45) **Date of Patent:** **** Jan. 6, 2004**

- (54) **TRAY SLEEVE**
- (75) **Inventor:** **Todd M. Bukowski**, Oak Park, IL (US)
- (73) **Assignee:** **Kraft Foods Holdings, Inc.**, Northfield, IL (US)
- (**) **Term:** **14 Years**
- (21) **Appl. No.:** **29/166,338**
- (22) **Filed:** **Aug. 26, 2002**
- (51) **LOC (7) Cl.** **09-03**
- (52) **U.S. Cl.** **D9/433**
- (58) **Field of Search** D9/305, 306, 418, D9/414, 425, 430, 433, 499, 434; 206/553, 476, 557, 784, 527, 822; 220/890, 912; 229/100, 106, 108, 190; D11/141

- 5,551,593 A 9/1996 Wiens
- D375,044 S * 10/1996 Williard et al. D9/433
- 5,598,944 A 2/1997 Aragona
- 5,697,512 A 12/1997 Brickley
- D393,181 S 4/1998 Panta
- D398,481 S 9/1998 Brown et al.
- D405,621 S 2/1999 Myers
- 5,971,139 A 10/1999 Bradley
- D420,855 S 2/2000 Hurley
- D429,147 S 8/2000 Baker et al.
- D438,029 S 2/2001 Brey et al.
- D461,713 S * 8/2002 Foreman D9/434
- D462,904 S * 9/2002 Mellon et al. D9/434
- D464,875 S * 10/2002 Koppang D9/306

* cited by examiner

Primary Examiner—Philip S. Hyder
Assistant Examiner—Daniel Bui
 (74) *Attorney, Agent, or Firm*—Fitch, Even, Tabin & Flannery

(56) **References Cited**

U.S. PATENT DOCUMENTS

- 956,858 A 5/1910 Kauffmann
- D216,869 S 3/1970 Britt
- 3,944,109 A 3/1976 Holz
- 3,955,672 A 5/1976 Brundage
- 4,219,144 A 8/1980 Hagelberg
- D263,814 S * 4/1982 Bechtold D11/141
- D265,294 S * 7/1982 Austin D9/434
- D267,475 S * 1/1983 Maroszek et al. D9/418
- D273,765 S 5/1984 Cillario
- D292,379 S 10/1987 Pollitt
- D293,767 S 1/1988 Powers
- 4,732,274 A 3/1988 Bouton
- 4,867,331 A 9/1989 Task
- D307,529 S 5/1990 Baetens
- 4,989,742 A 2/1991 Powell
- 5,119,967 A 6/1992 Ercolani
- 5,259,528 A 11/1993 Pace et al.
- D346,934 S 5/1994 Littlejohn
- D349,456 S 8/1994 Wilson
- D353,742 S 12/1994 Lewis et al.
- 5,390,798 A 2/1995 Yanuzzi
- 5,429,266 A 7/1995 D'Oliveira et al.
- D360,827 S * 8/1995 Mats D9/433

(57) **CLAIM**

I claim the ornamental design for a tray sleeve, as shown and described.

DESCRIPTION

FIG. 1 is a perspective view illustrating my new design; FIG. 2 is a front elevation view thereof; FIG. 3 is a rear elevation view thereof; FIG. 4 is an elevational view from the left side thereof; FIG. 5 is an elevational view from the right side thereof; FIG. 6 is a top plan view thereof; FIG. 7 is a bottom plan view thereof; and, FIG. 8 is a plan view of the sleeve of FIG. 1 unfolded and on a reduced scale.

The broken line showing of the environment in FIGS. 1-7 is for illustrative purpose only and forms no part of the claimed design. The horizontal broken lines shown in FIG. 8 represent fold lines, and the slashed broken lines shown on the bottom portion of the tray sleeve in FIG. 8 represent the gluing lines.

1 Claim, 5 Drawing Sheets

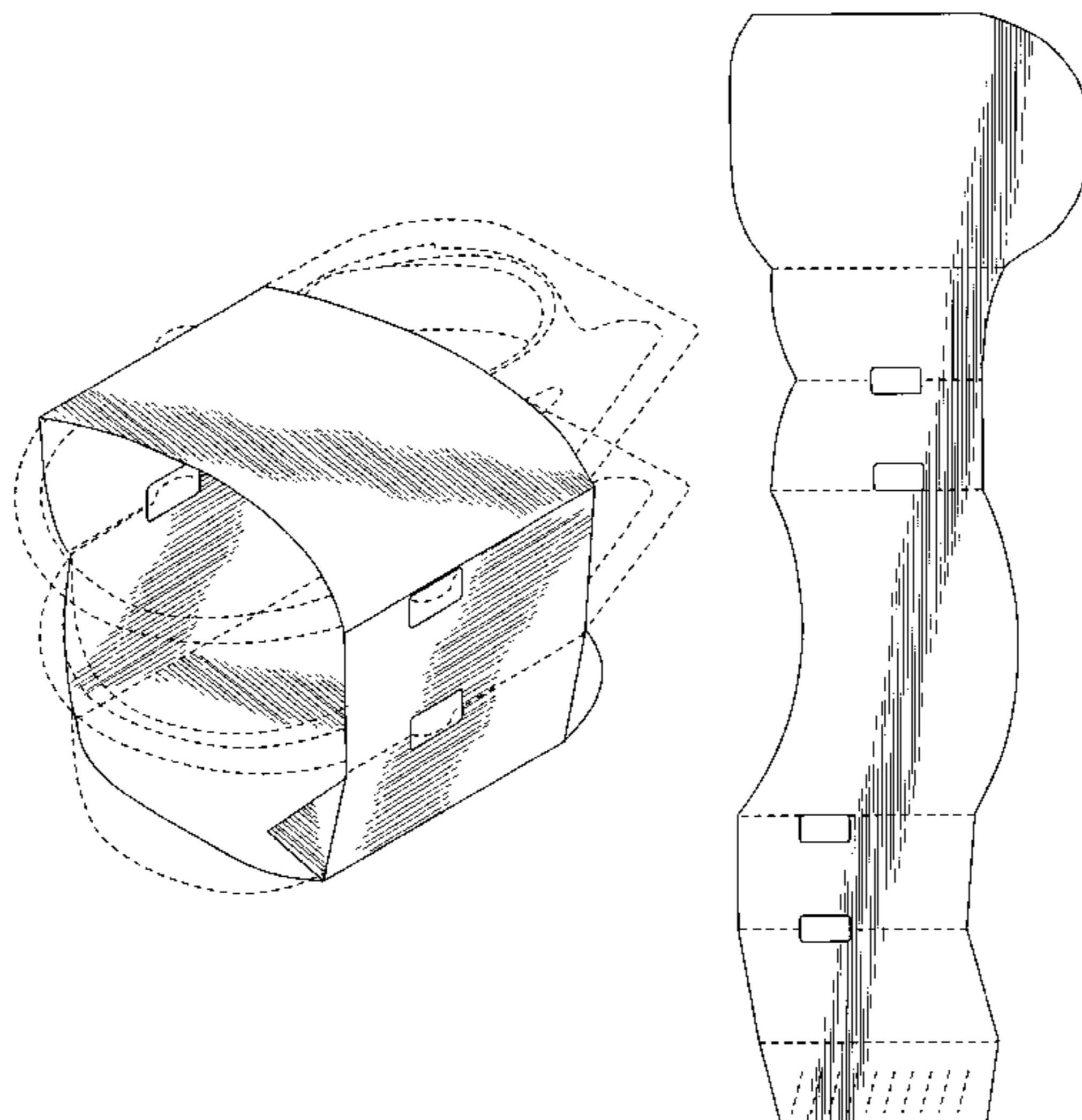


Fig. 1

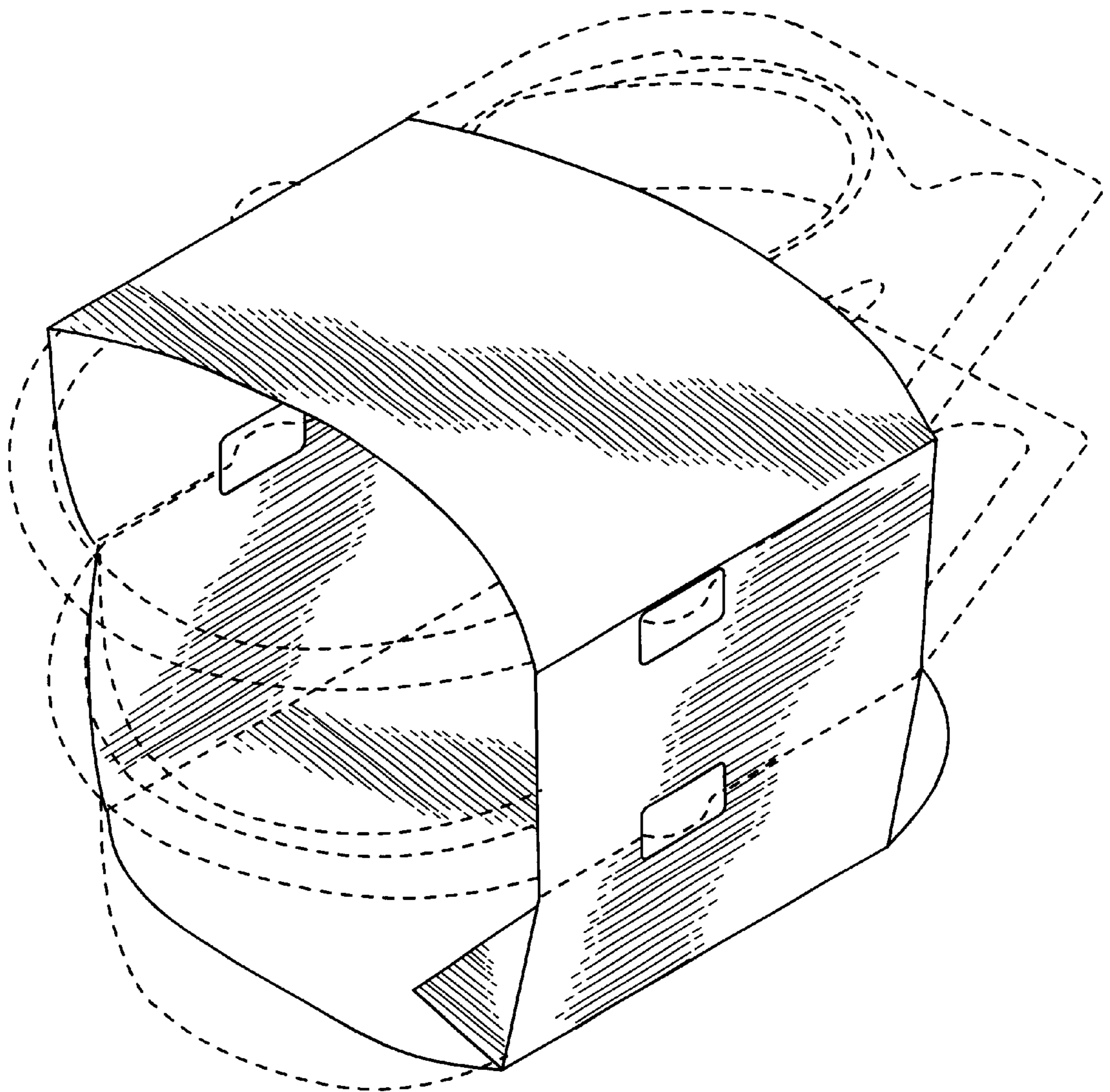


Fig. 2

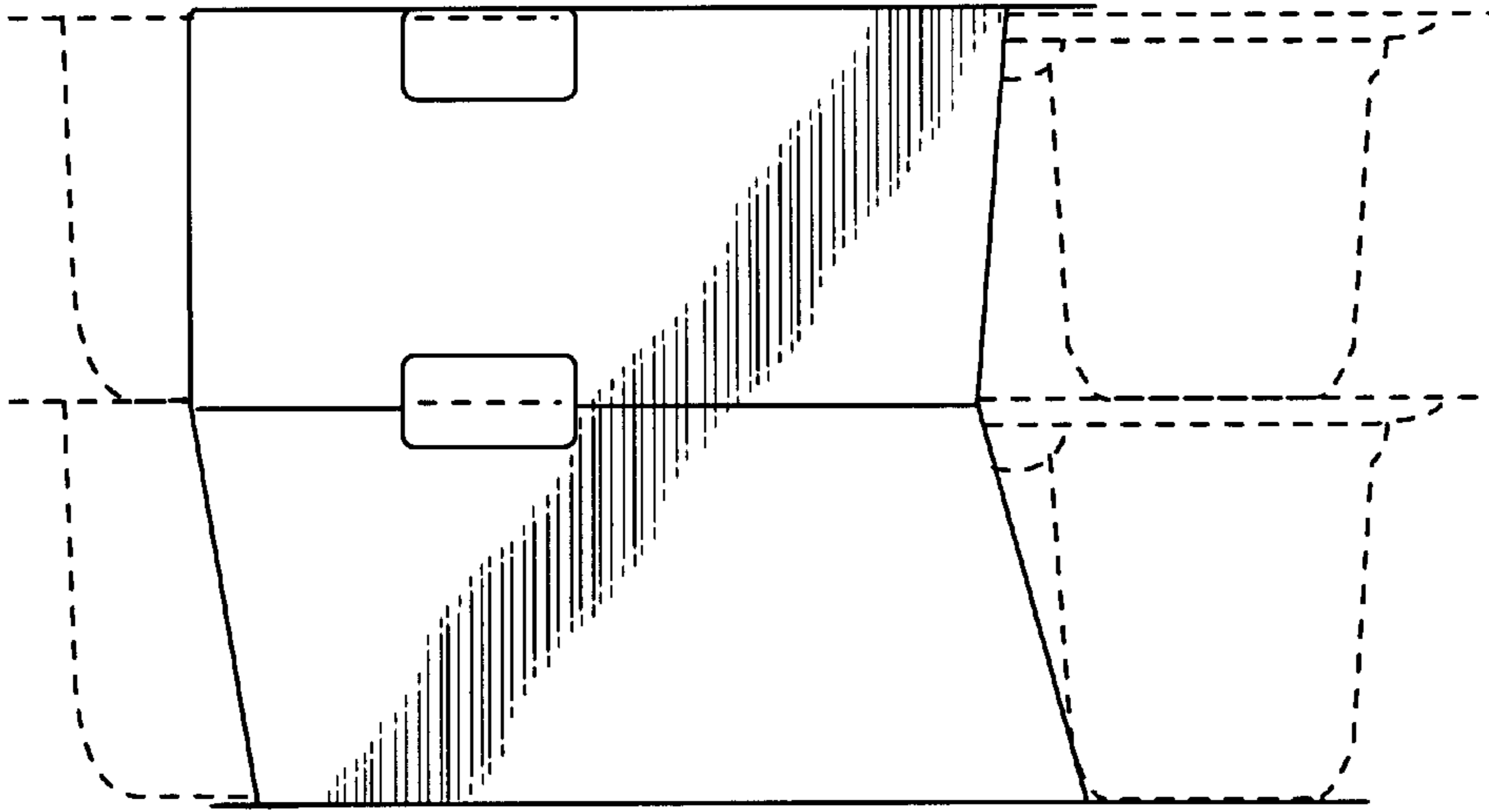


Fig. 3

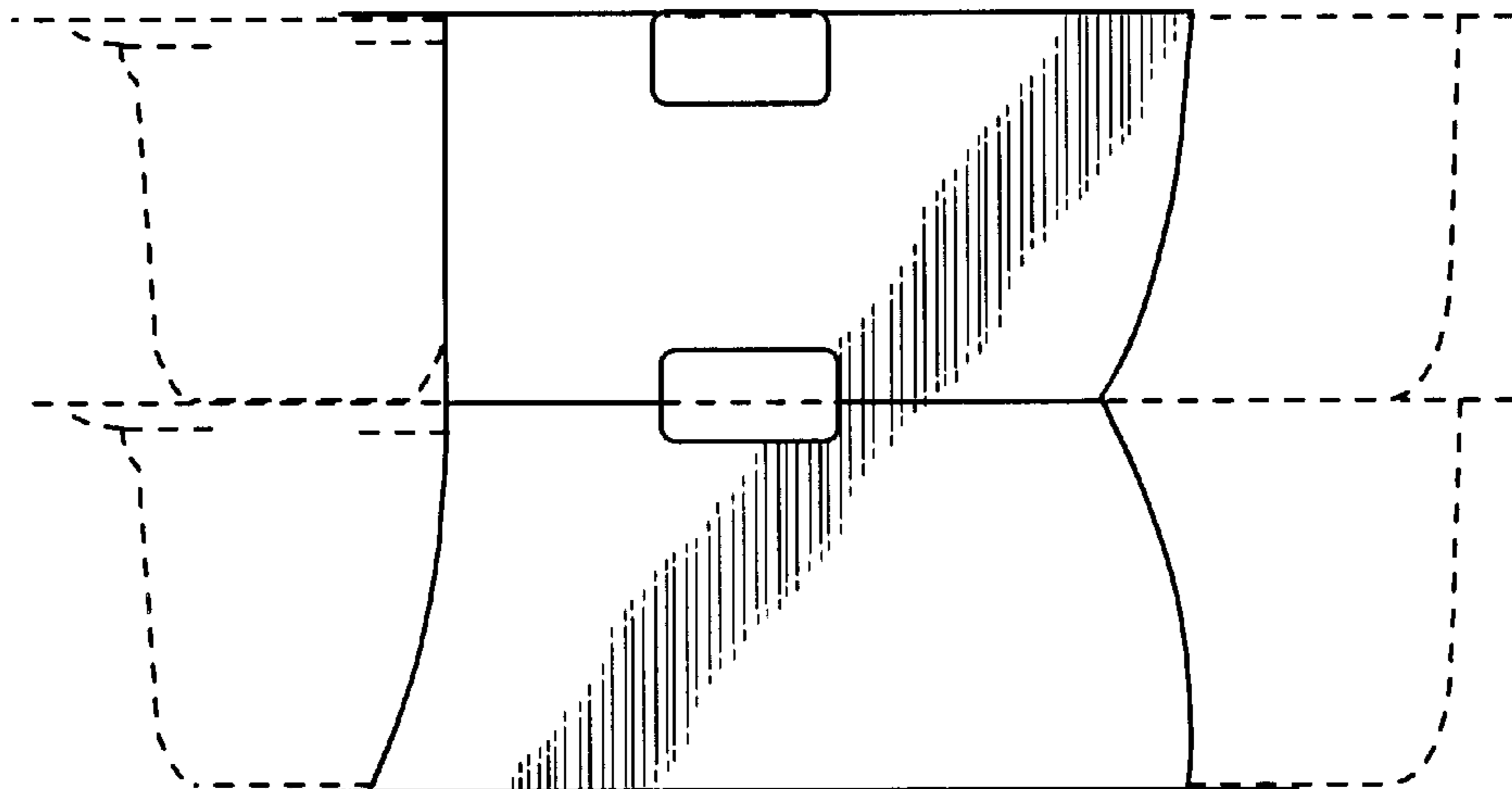


Fig. 4

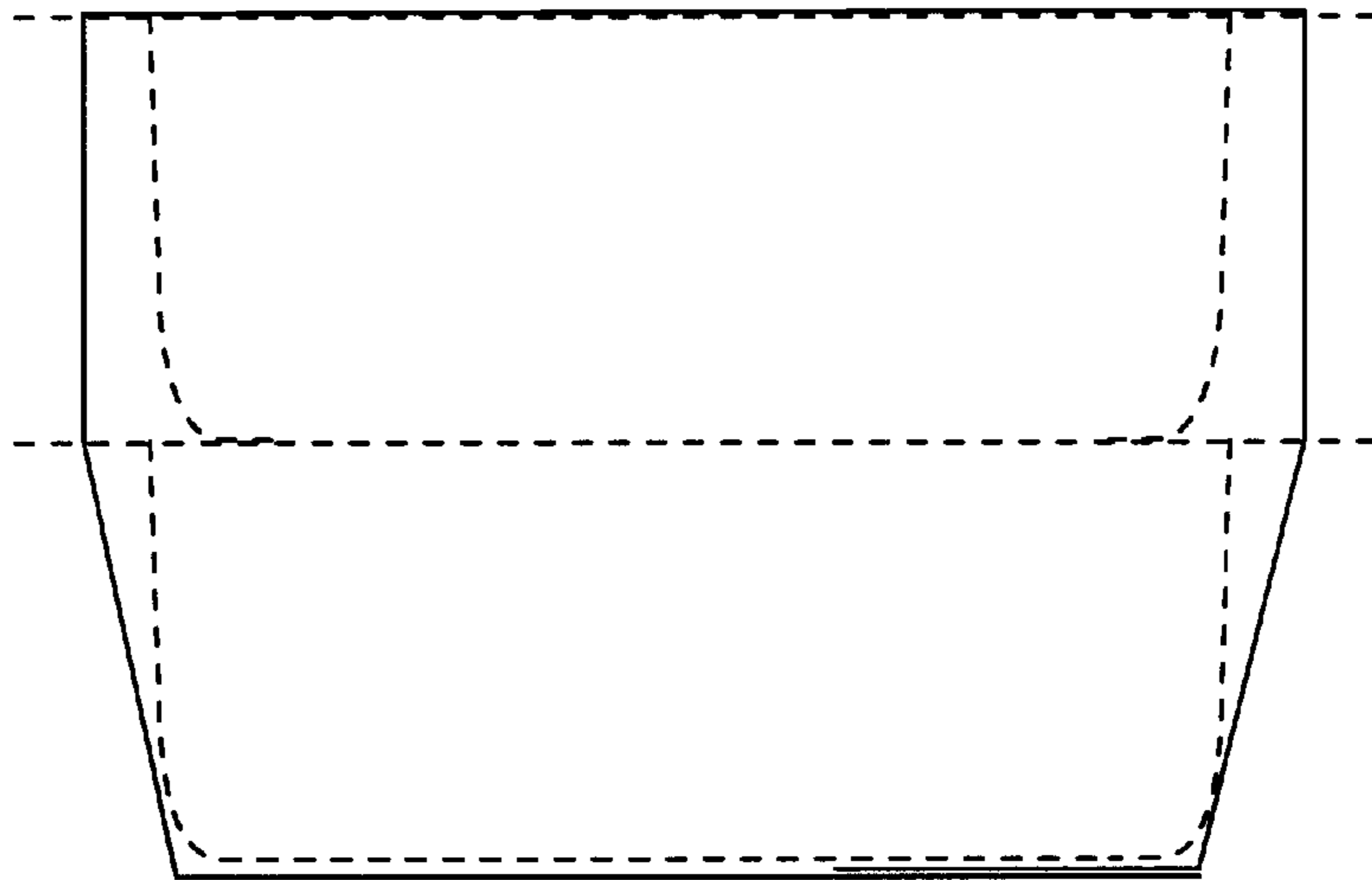


Fig. 5

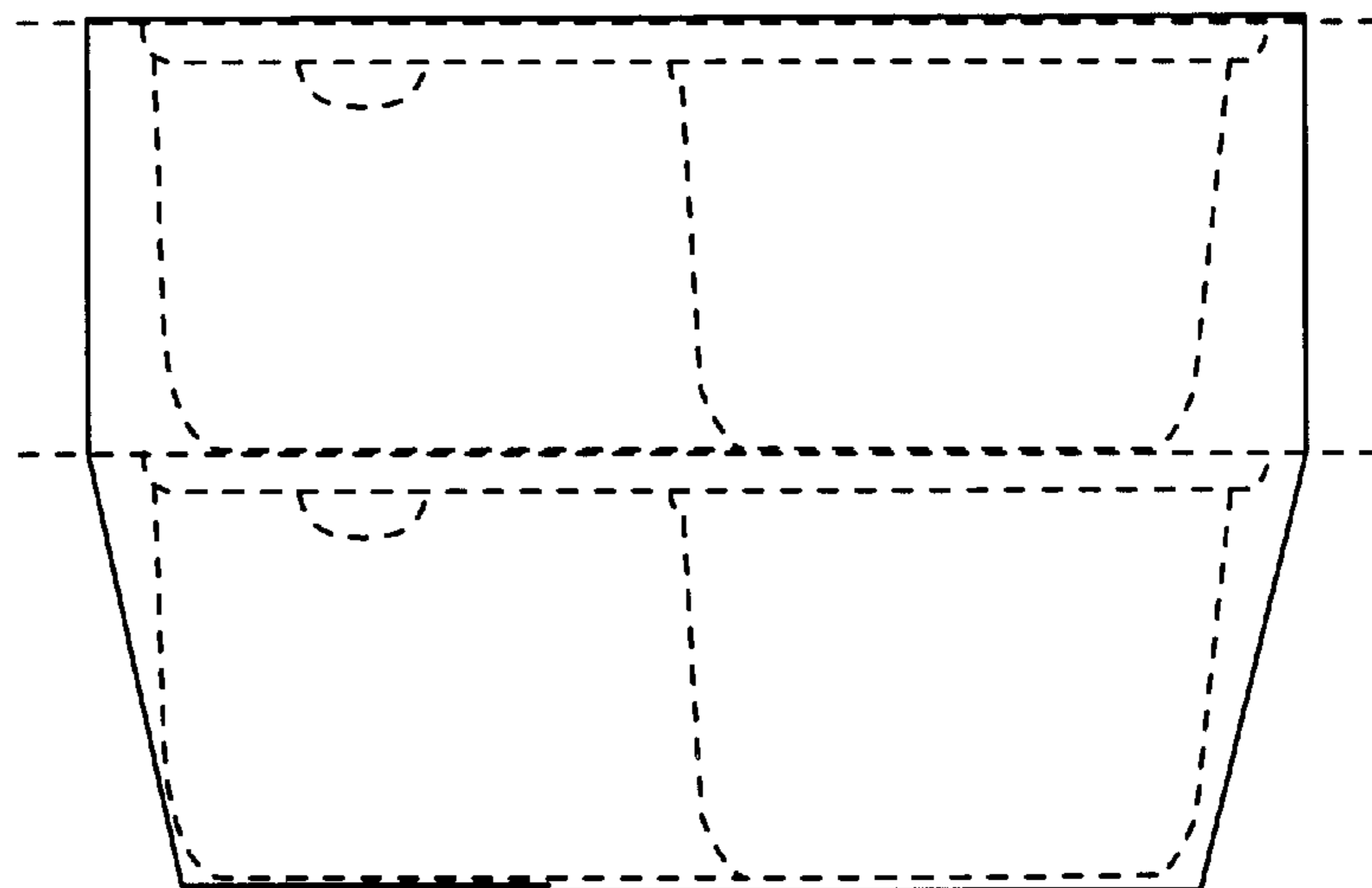


Fig. 6

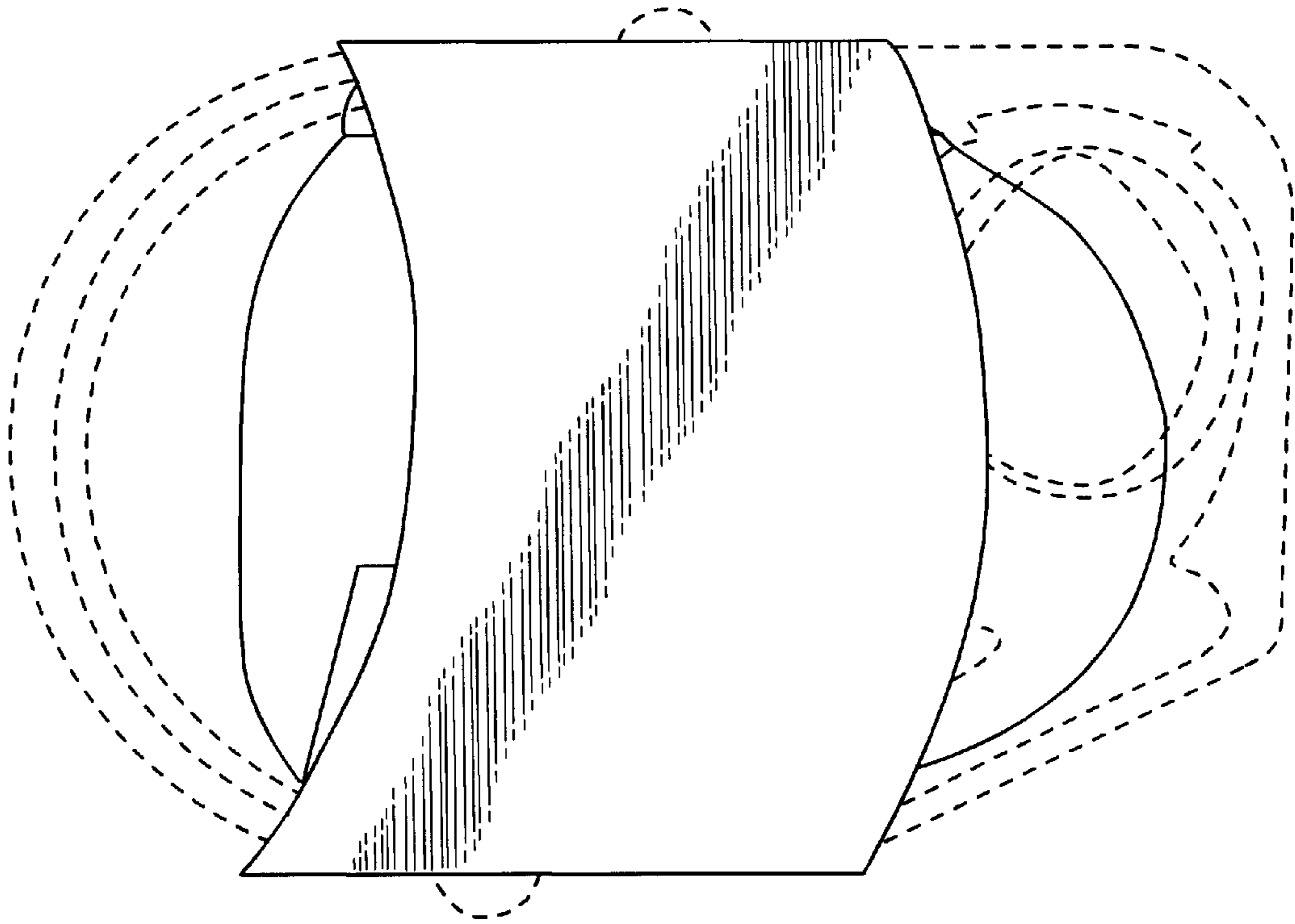


Fig. 7

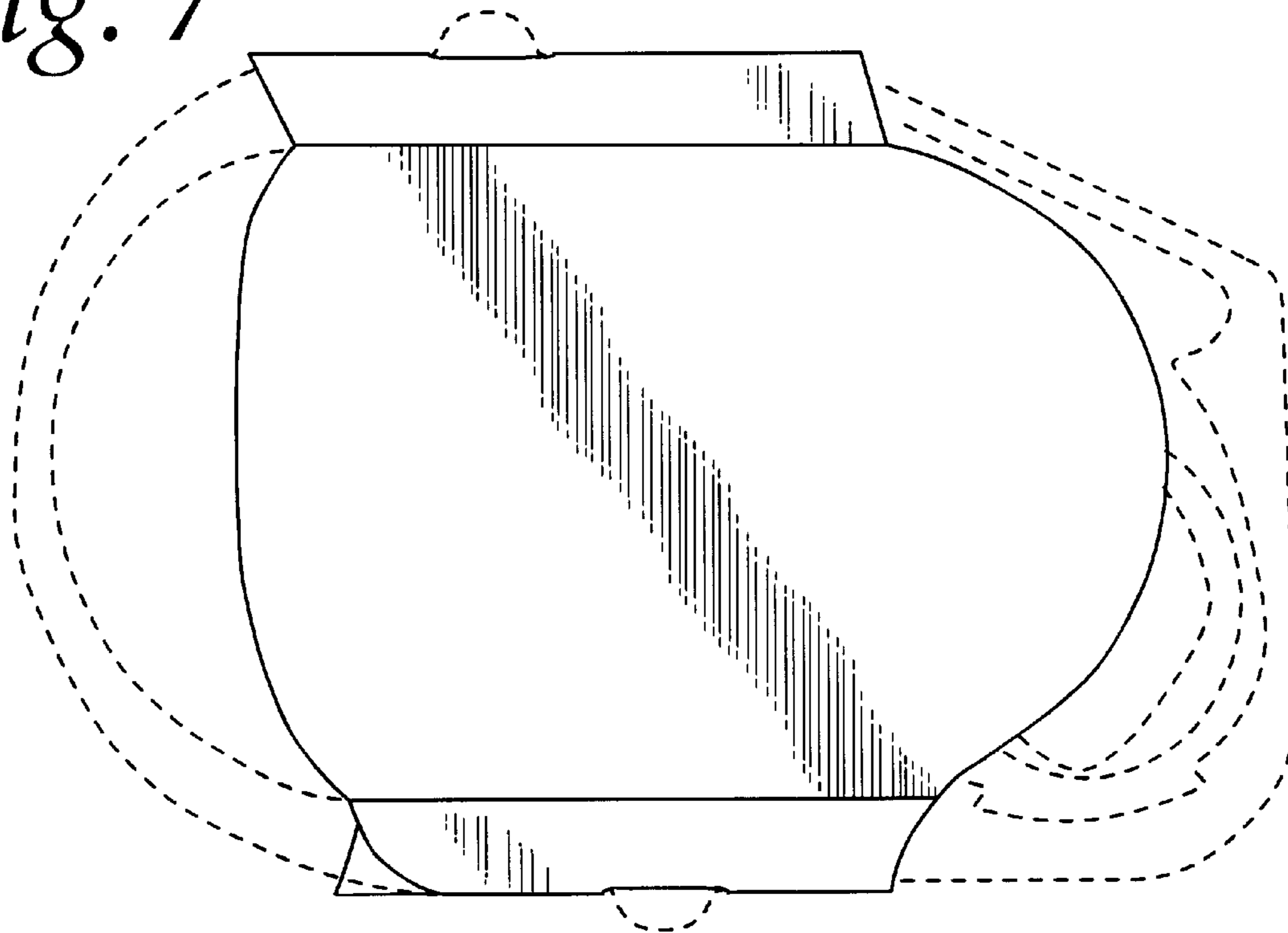


Fig. 8

