



US00D484795S

(12) **United States Design Patent**
Barnes et al.

(10) **Patent No.:** **US D484,795 S**

(45) **Date of Patent:** **** Jan. 6, 2004**

(54) **CIRCULAR DISPENSING CONTAINER**

(56) **References Cited**

(75) **Inventors:** **Robert Cregg Barnes**, Hackettstown, NJ (US); **Scott Lee Fisher**, Evansville, IN (US); **Donald Allan Scott**, Wadesville, IN (US); **David John Jochem**, Evansville, IN (US); **Jeffrey S. Gibb**, Boonton, NJ (US)

PUBLICATIONS

“Mini pack marks 50 years of Polos,” *Packaging Magazine*, Jun. 18, 1998, p. 5, including scanned electronic copy of photograph therein.

(73) **Assignee:** **Kraft Foods Holdings, Inc.**, Northfield, IL (US)

Primary Examiner—Philip S. Hyder

Assistant Examiner—Daniel Bui

(74) *Attorney, Agent, or Firm*—Larson & Taylor, PLC

(**) **Term:** **14 Years**

(57) **CLAIM**

The ornamental design for a circular dispensing container, as shown.

(21) **Appl. No.:** **29/168,903**

(22) **Filed:** **Oct. 11, 2002**

DESCRIPTION

Related U.S. Application Data

FIG. 1 is a perspective view of a circular dispensing container according to our new design;

(63) Continuation-in-part of application No. 29/148,911, filed on Oct. 1, 2001, now Pat. No. Des. 475,618.

FIG. 2 is a front elevational view thereof;

(51) **LOC (7) Cl.** **09-01**

FIG. 3 is a rear elevational view thereof;

(52) **U.S. Cl.** **D9/339**

FIG. 4 is a right side elevational view thereof;

(58) **Field of Search** D9/337, 338, 339,

FIG. 5 is a left side elevational view thereof;

D9/314, 416, 417, 418, 424, 428; 206/37,

FIG. 6 is a top plan view thereof; and,

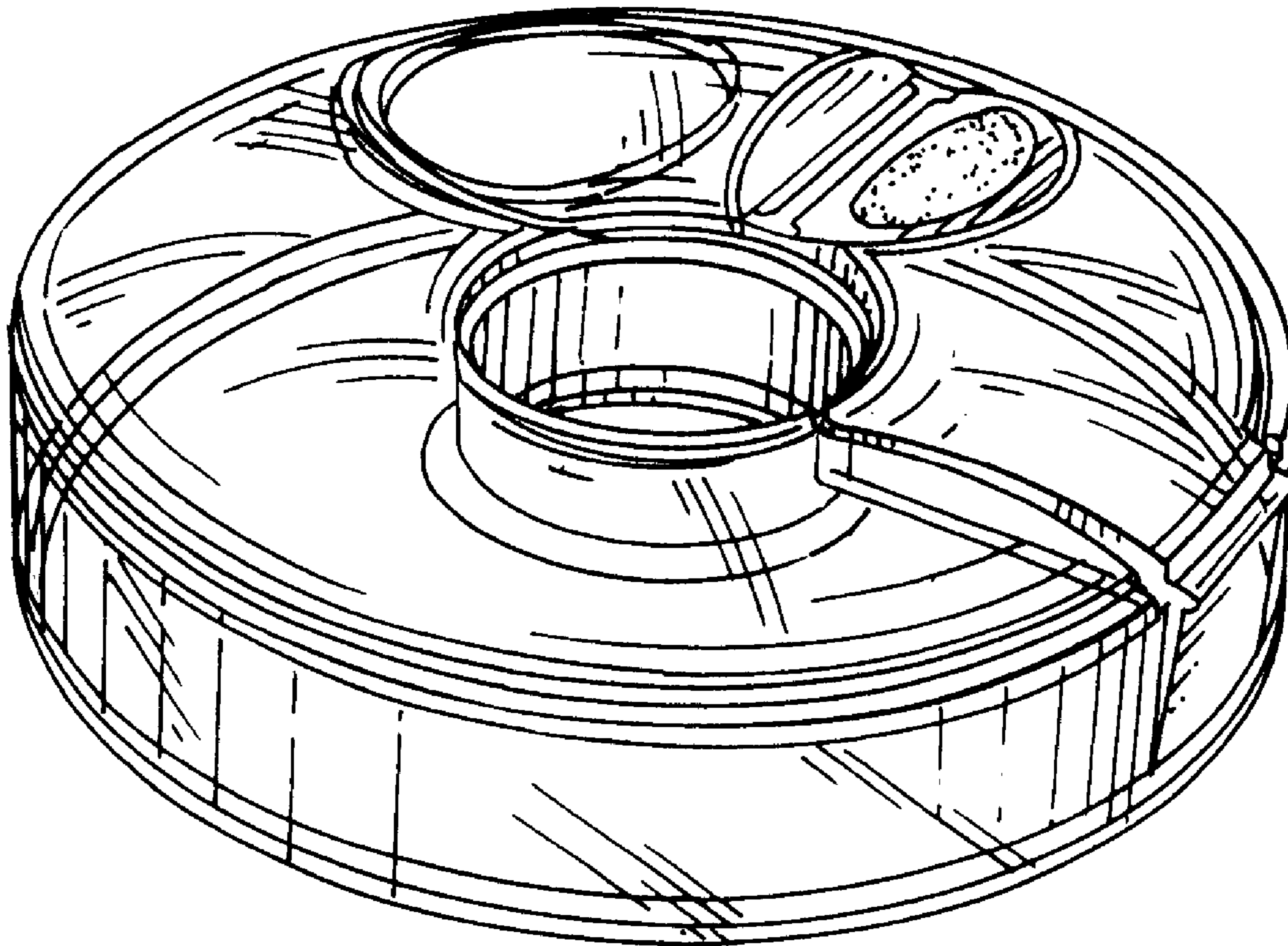
363, 527, 528, 553; 221/69, 87, 89, 90,

FIG. 7 is a bottom plan view thereof.

91, 282; 222/153.01, 153.04, 173, 175,

501, 519–525

1 Claim, 4 Drawing Sheets



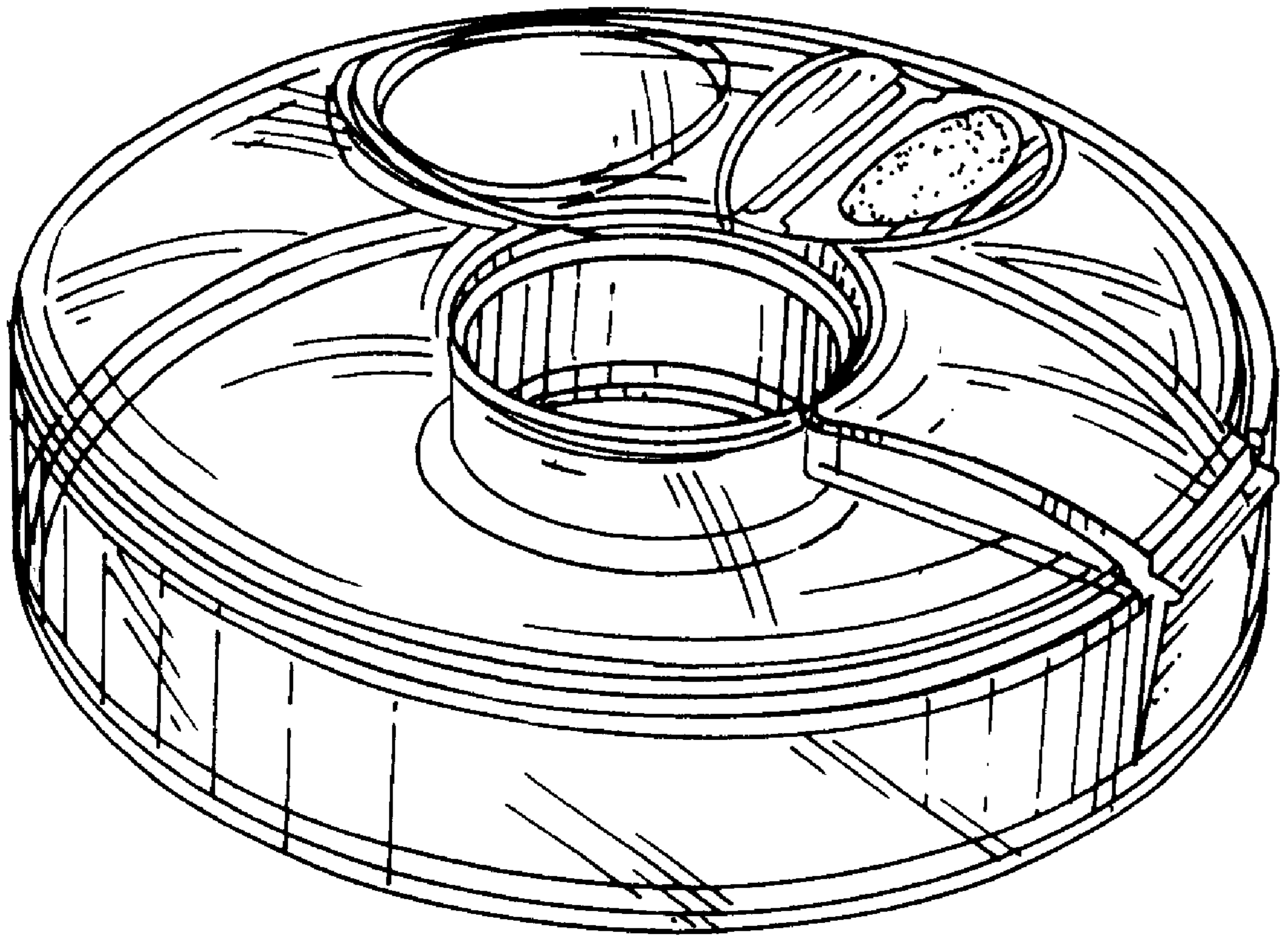


FIG. 1

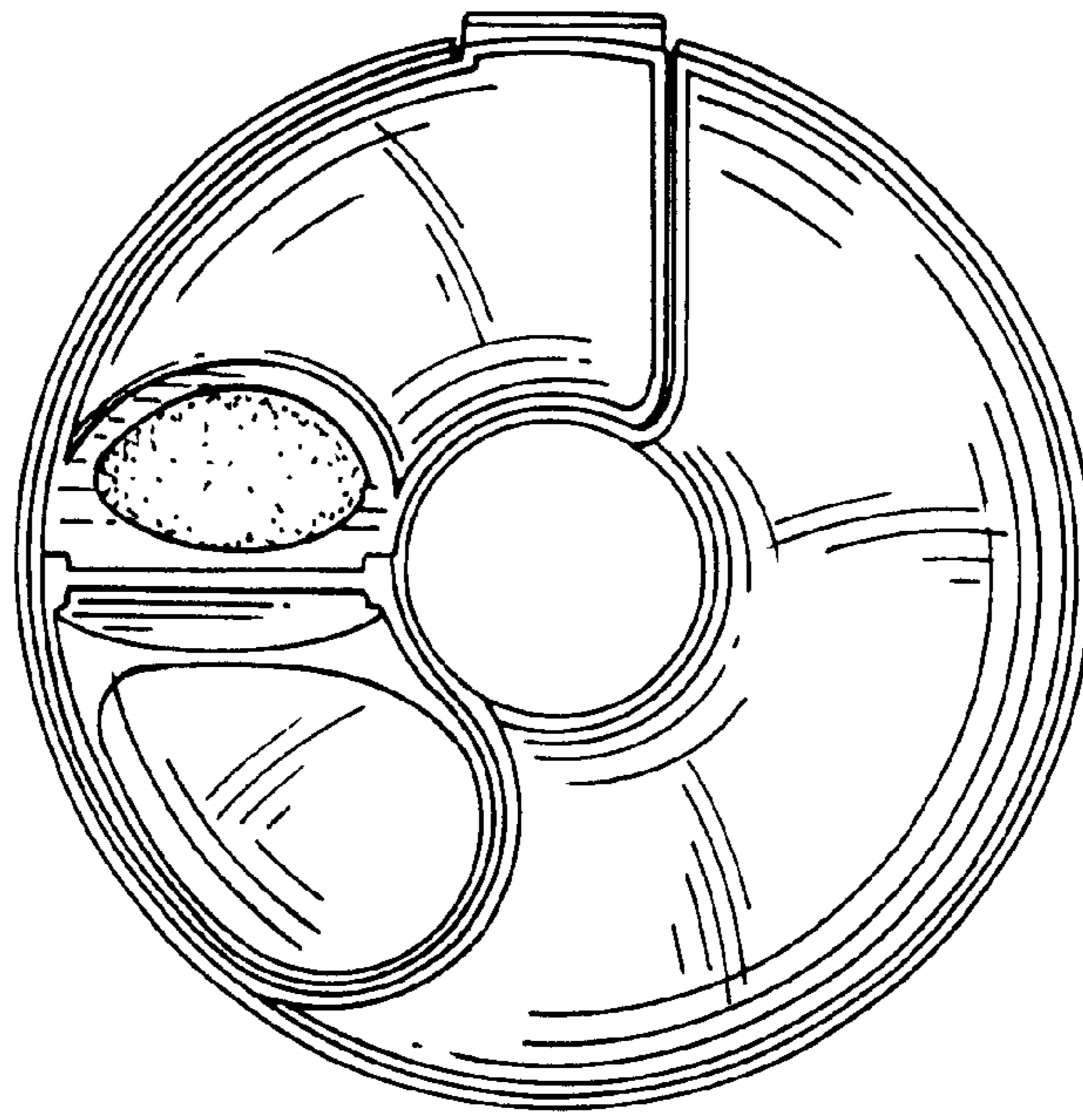


FIG. 2

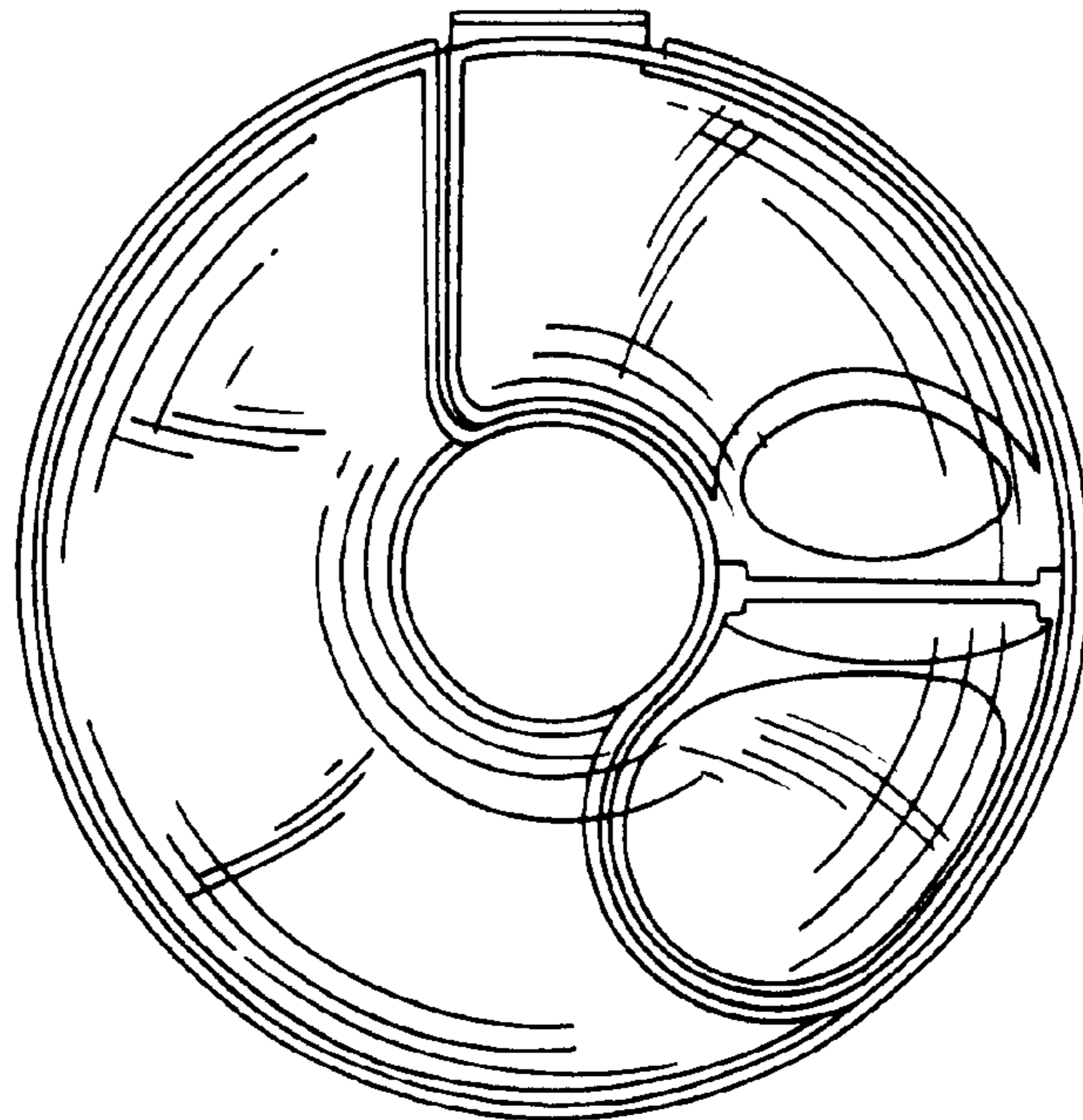


FIG. 3

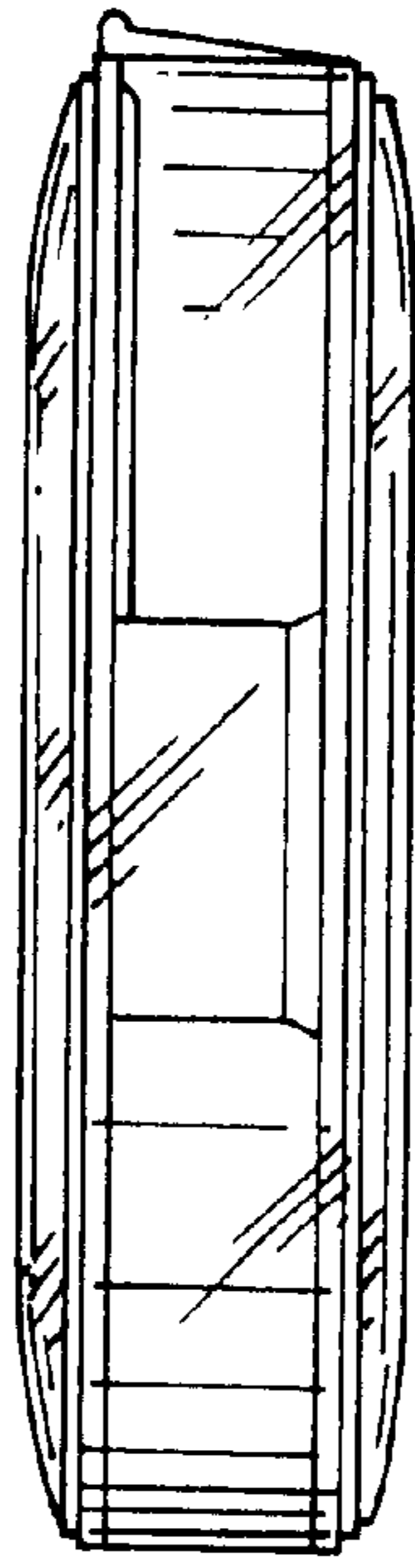


FIG. 4



FIG. 5

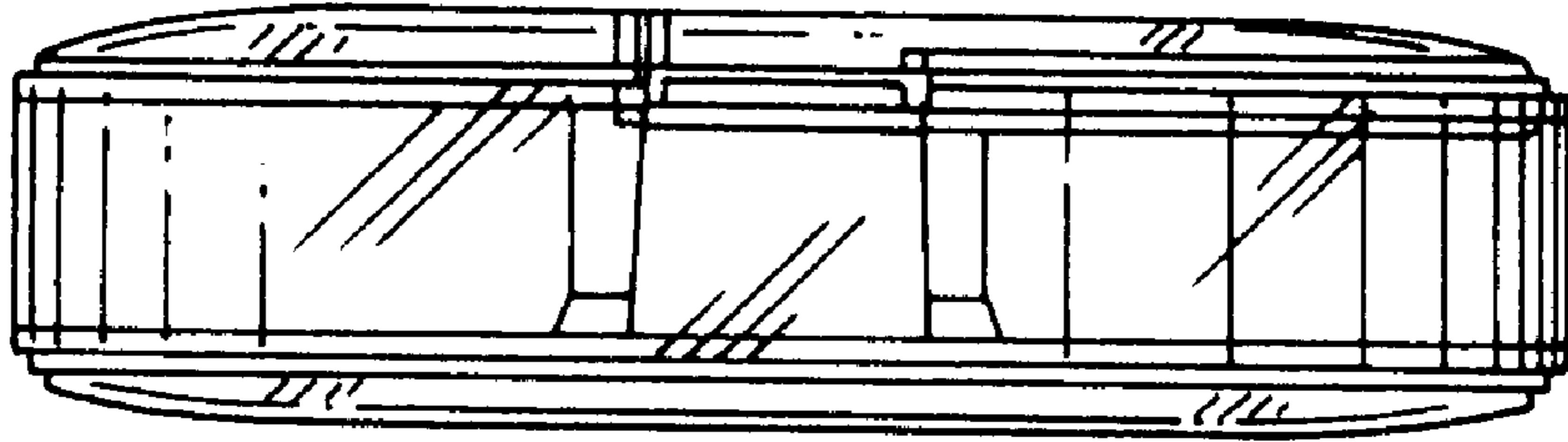


FIG. 6

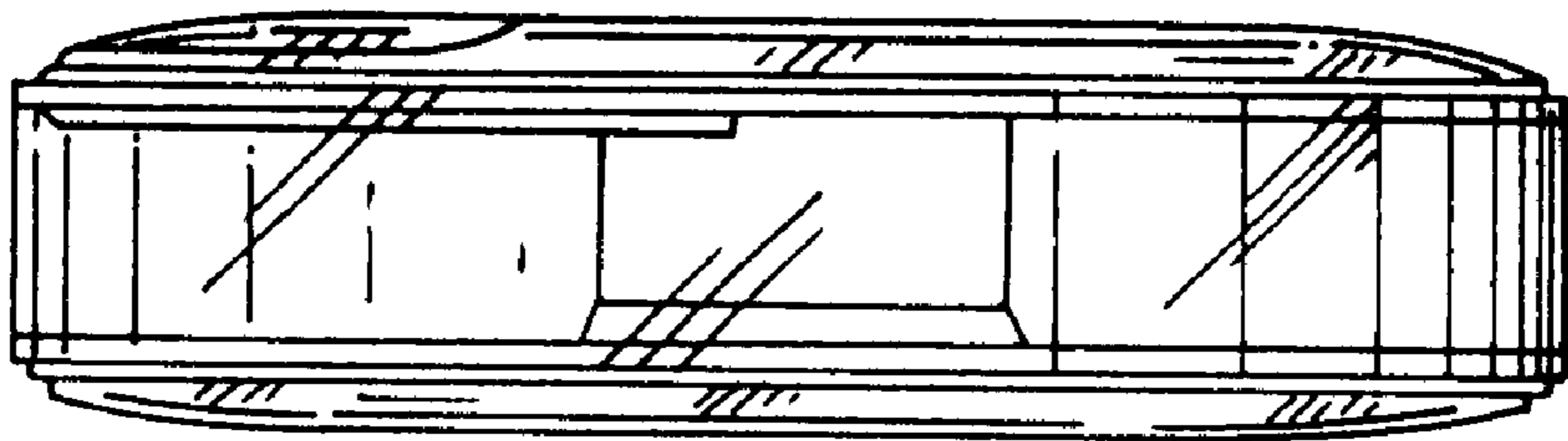


FIG. 7