



US00D484786S

(12) **United States Design Patent**
O'Connor

(10) **Patent No.:** **US D484,786 S**

(45) **Date of Patent:** **** Jan. 6, 2004**

(54) **WRENCH DRIVE WINGNUT**

D356,944 S * 4/1995 Spaulding D8/398
D358,910 S * 5/1995 Frasier D8/397

(76) Inventor: **Michael Thomas O'Connor**, 750 S.
Mallard Dr., Schaumburg, IL (US)
60067

* cited by examiner

(**) Term: **14 Years**

Primary Examiner—Louis S. Zarfes
Assistant Examiner—Deane Levy
(74) *Attorney, Agent, or Firm*—Patnaude & Videbeck

(21) Appl. No.: **29/148,691**

(57) **CLAIM**

(22) Filed: **Sep. 25, 2001**

The ornamental design for a “wrench drive wingnut”, as shown and described.

(51) **LOC (7) Cl.** **08-08**

(52) **U.S. Cl.** **D8/398**

(58) **Field of Search** D8/397–399, 499;
411/435, 427, 337, 429, 402, 405

DESCRIPTION

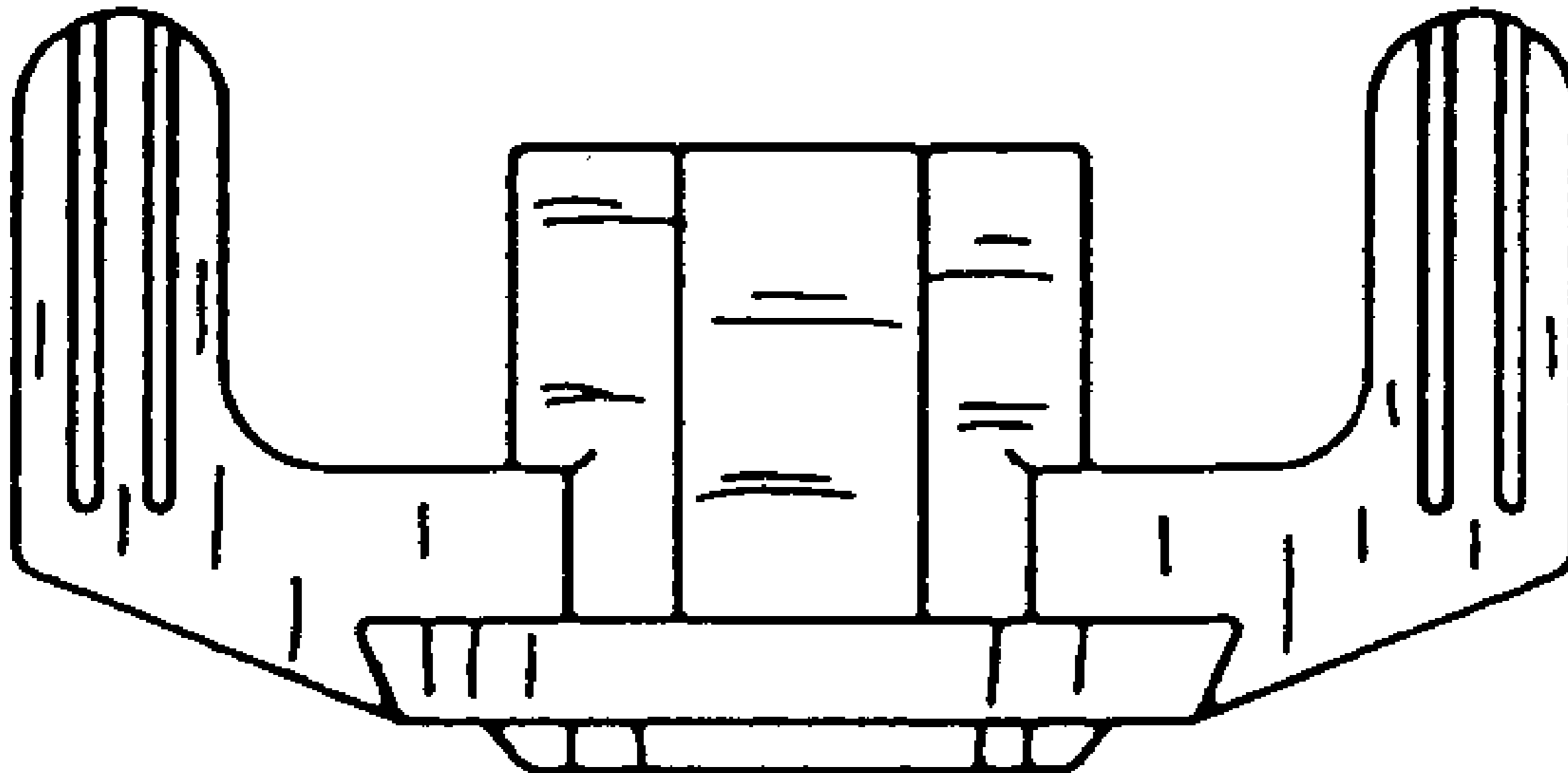
FIG. 1 is a top plan of a wing nut embodying the ornamental design of this invention;
FIG. 2 is a left end elevation thereof;
FIG. 3 is a front elevation thereof;
FIG. 4 is a rear elevation thereof;
FIG. 5 is a right end elevation thereof; and,
FIG. 6 is a bottom plan thereof.

(56) **References Cited**

U.S. PATENT DOCUMENTS

D274,979 S * 8/1984 Hill D8/398
D302,243 S * 7/1989 Gonzalez D8/398
D308,820 S * 6/1990 Gonzales D8/398
D317,705 S * 6/1991 Tinz D8/398

1 Claim, 1 Drawing Sheet



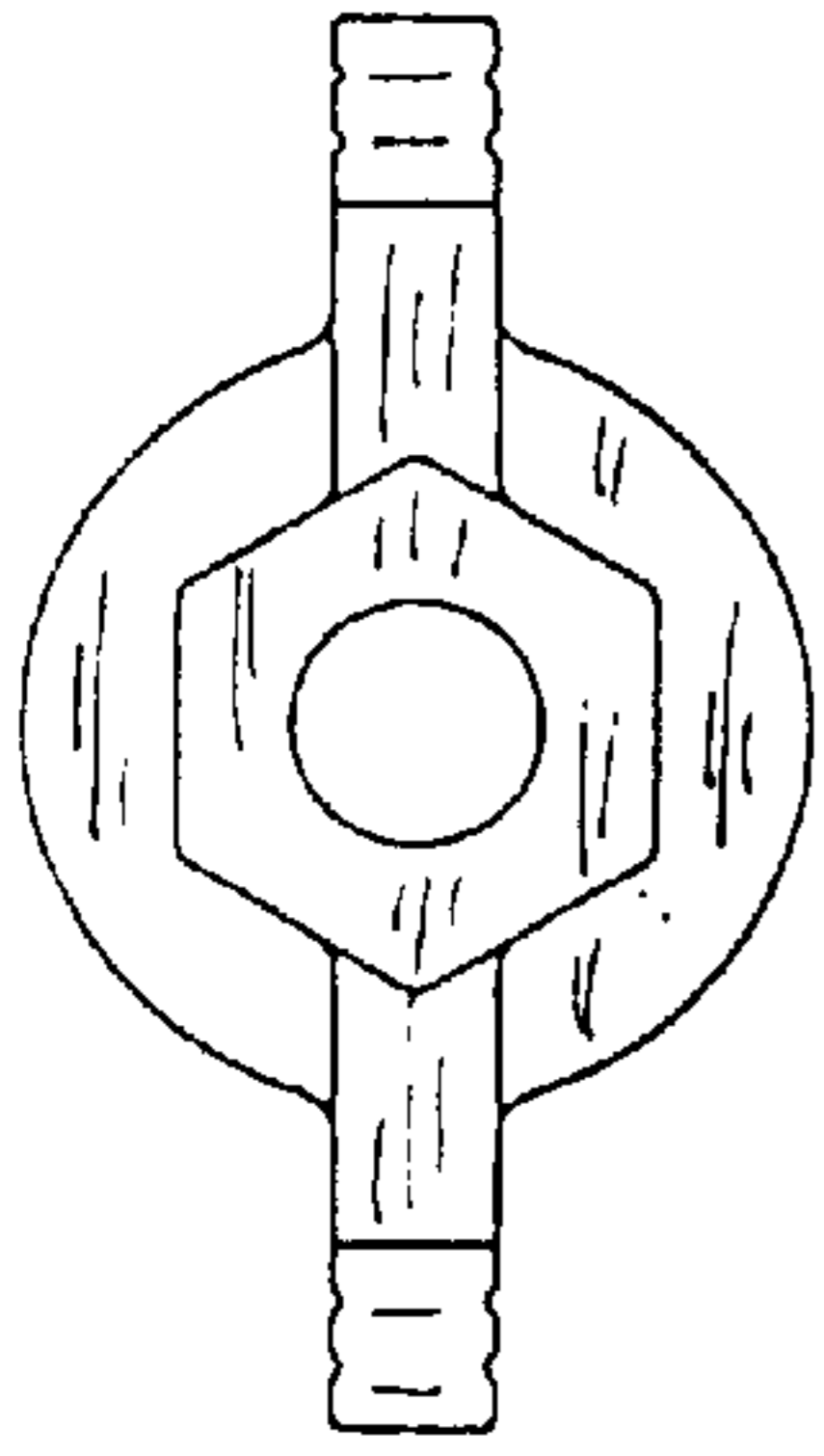


FIG. 1

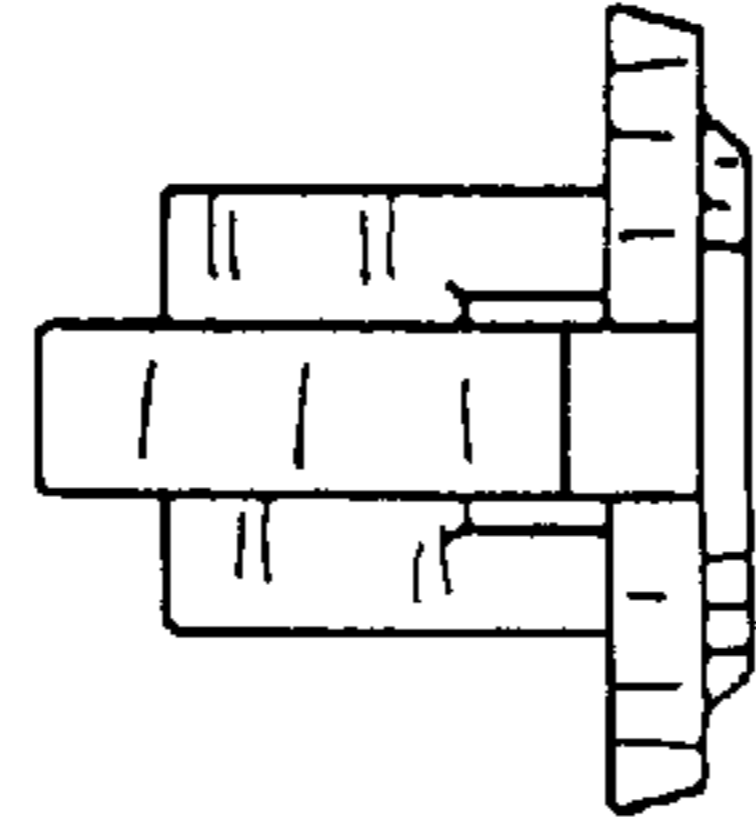


FIG. 2

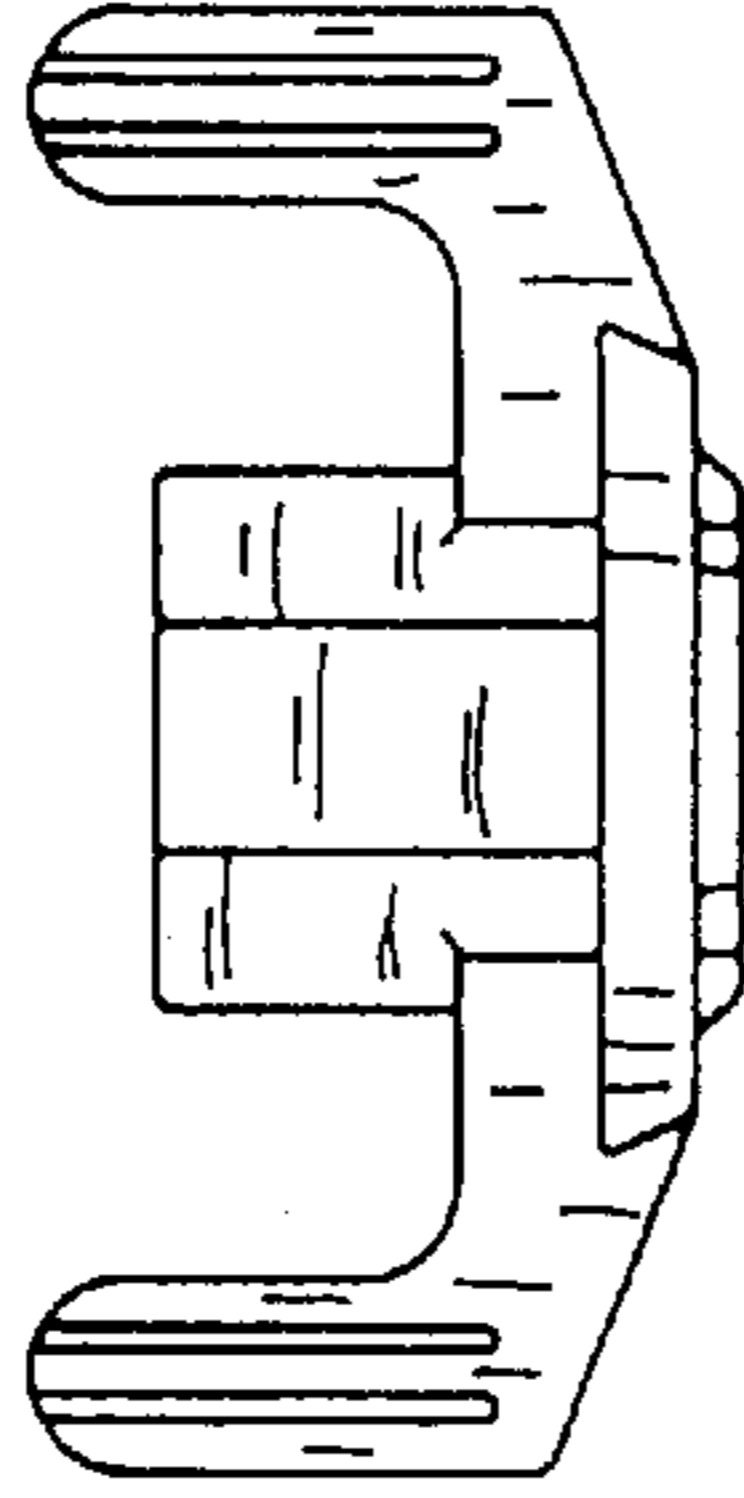


FIG. 3

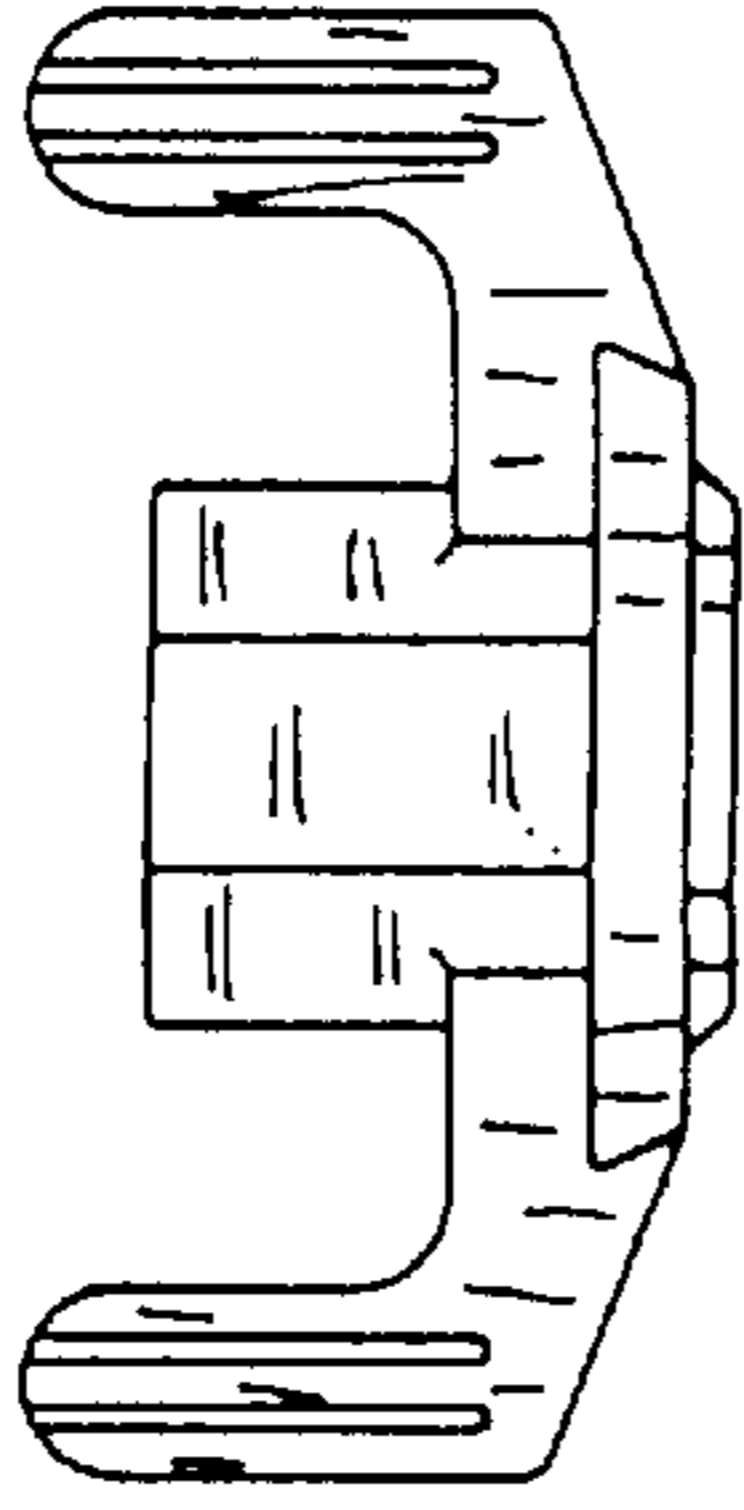


FIG. 4

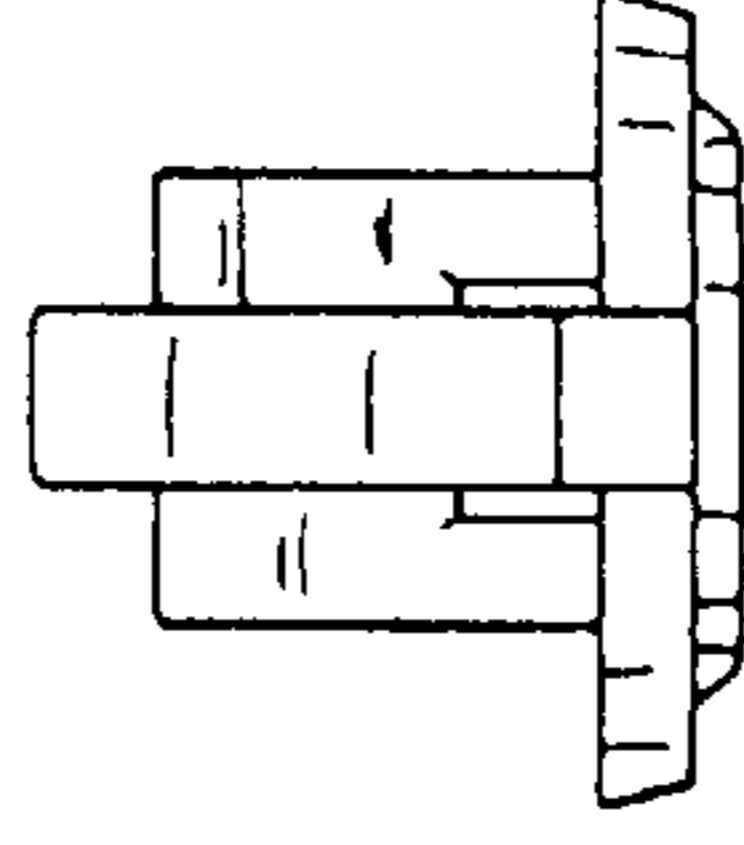


FIG. 5

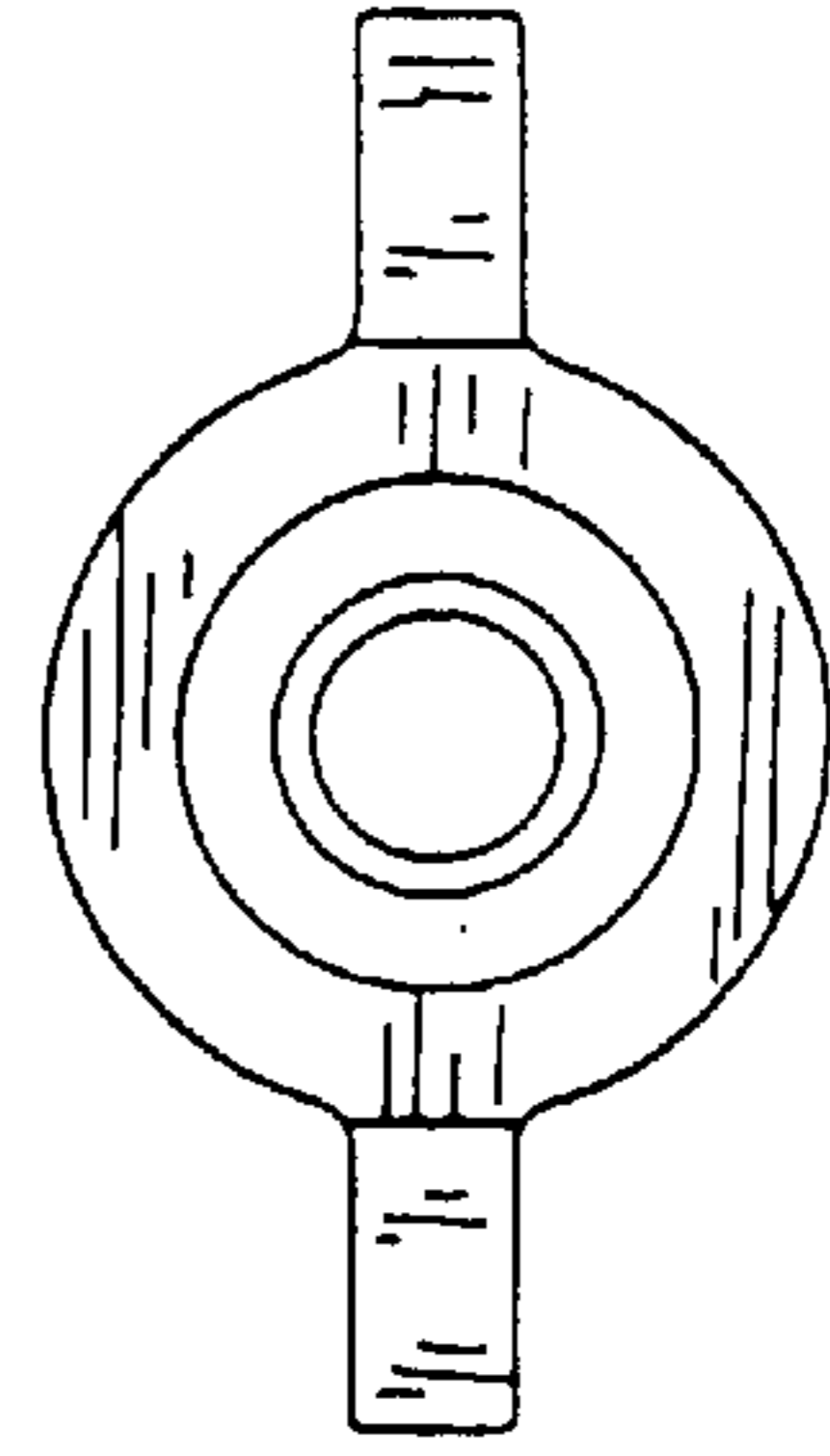


FIG. 6