



US00D484781S

(12) **United States Design Patent**
Miller

(10) **Patent No.:** **US D484,781 S**

(45) **Date of Patent:** **** Jan. 6, 2004**

(54) **RIBBED DOWEL**
(75) Inventor: **Michael R. Miller**, Winnetka, IL (US)
(73) Assignee: **Miller Dowel Co.**, Winnetka, IL (US)
(**) Term: **14 Years**

5,232,302 A 8/1993 Wagner et al.
5,265,988 A 11/1993 Schmigalla et al.
5,326,196 A 7/1994 Noll
5,529,424 A 6/1996 Neubert et al.
D371,302 S * 7/1996 Spirer D8/47
5,768,845 A 6/1998 Beaulieu et al.
5,771,650 A 6/1998 Williams et al.
D426,766 S * 6/2000 Burchall et al. D8/387
6,267,527 B1 7/2001 Miller
D456,700 S 5/2002 Miller et al.

(21) Appl. No.: **29/183,818**
(22) Filed: **Jun. 17, 2003**

(51) **LOC (7) Cl.** **08-08**
(52) **U.S. Cl.** **D8/382**
(58) **Field of Search** D8/382, 387, 393;
403/292, 297

FOREIGN PATENT DOCUMENTS

CA	465953	6/1950
DE	1 947 456	9/1970
DE	3820351	12/1989
GB	221280	9/1924
IT	475429	10/1952

(56) **References Cited**

U.S. PATENT DOCUMENTS

100,055 A	2/1870	Montgomery
332,308 A	12/1885	Valentine
876,985 A *	1/1908	Malacon 52/585.1
1,229,565 A	6/1917	Ahlgren
2,667,795 A	2/1954	Bowen
3,153,283 A	10/1964	Weissman
3,221,458 A	12/1965	Lucas
3,527,486 A	9/1970	Gamp
3,575,520 A	4/1971	Halpern
3,635,573 A	1/1972	Halpern
3,756,635 A	9/1973	Beers
3,850,054 A	11/1974	Weissman
3,883,258 A	5/1975	Hewson
4,128,356 A	12/1978	Carlisle
4,340,327 A	7/1982	Martins
4,518,291 A *	5/1985	Lang et al. 411/80.5
4,536,044 A	8/1985	Ziegelheim et al.
4,639,197 A	1/1987	Tornare et al.
4,793,745 A	12/1988	Ashbaugh et al.
4,815,902 A	3/1989	Durfee, Jr.
4,884,571 A	12/1989	Baker
5,100,162 A	3/1992	Lo
5,131,783 A	7/1992	Astl

OTHER PUBLICATIONS

Industrial Fastener Institute, "Fastener Standards," 5th Edition, (c) 1970, p. L-12.

* cited by examiner

Primary Examiner—Holly Baynham
(74) *Attorney, Agent, or Firm*—Welsh & Katz, Ltd.

(57) **CLAIM**

The ornamental design for a ribbed dowel, as shown and described.

DESCRIPTION

FIG. 1 is a perspective view of the ribbed dowel of the subject invention.
FIG. 2 is a front view of the ribbed dowel of FIG. 1, the opposite, left, and right side view being substantially identical thereto.
FIG. 3 is a top view of the ribbed dowel of FIG. 1; and, FIG. 4 is a bottom view of the ribbed dowel of FIG. 1.

1 Claim, 1 Drawing Sheet

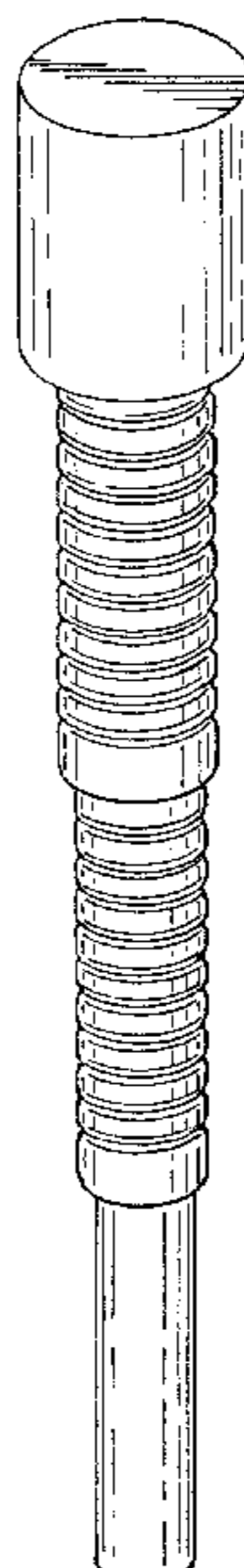


FIG.1

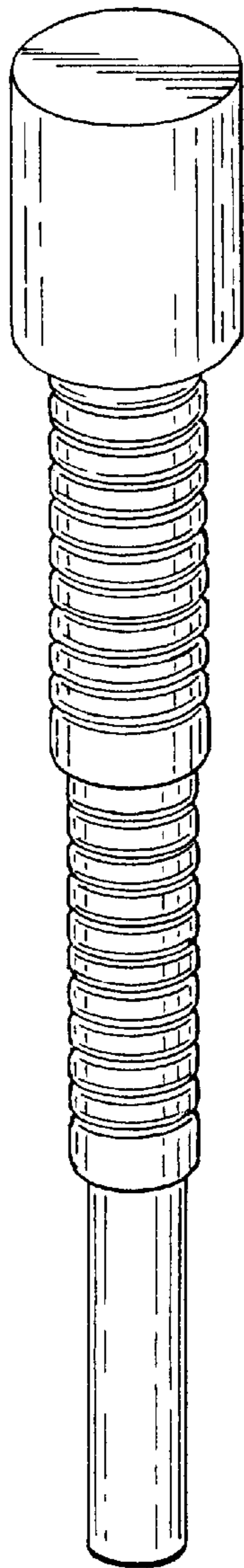


FIG.2

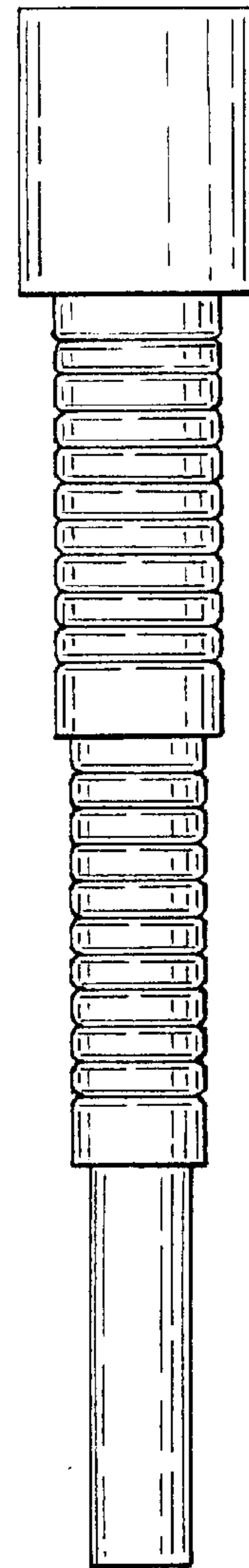


FIG.3

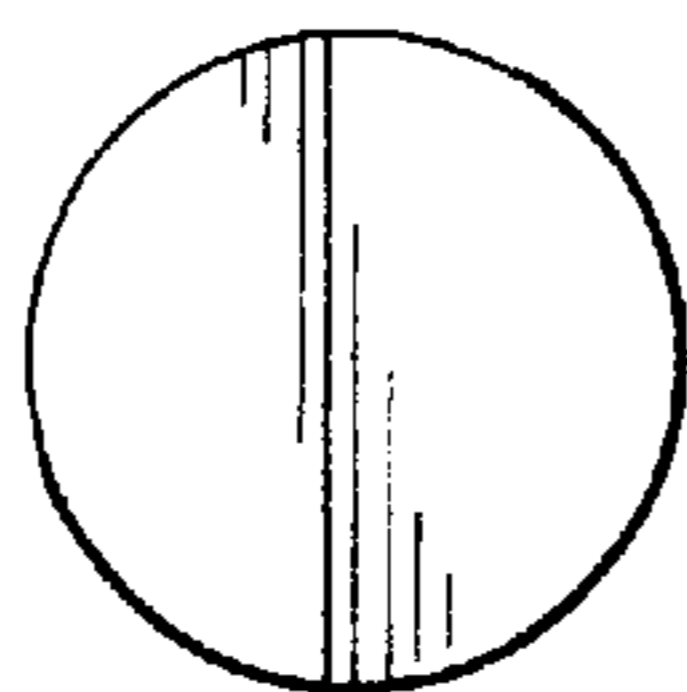


FIG.4

