



US00D484779S

(12) **United States Design Patent**
Shibuya

(10) **Patent No.:** **US D484,779 S**

(45) **Date of Patent:** **** Jan. 6, 2004**

(54) **FASTENER FOR PANEL OF AN
AUTOMOBILE**

Primary Examiner—Holly Baynham
(74) *Attorney, Agent, or Firm*—Edward D. Murphy

(75) **Inventor:** **Tomio Shibuya**, Utunomiya Tochigi
(JP)

(57) **CLAIM**

The ornamental design for a fastener for panel of an auto-
mobile, as shown and described above.

(73) **Assignee:** **Newfrey LLC**, Newark, DE (US)

(**) **Term:** **14 Years**

DESCRIPTION

(21) **Appl. No.:** **29/170,008**

FIG. 1 is a perspective view of a fastener for a panel of an
automobile according to an embodiment of a present
designed article with the view being taken from the right top
side looking downwardly;

(22) **Filed:** **Oct. 30, 2002**

(30) **Foreign Application Priority Data**

May 15, 2002 (JP) 2002-012958

FIG. 2 is a front view of the fastener of FIG. 1 (a rear view
is the same as the front view);

(51) **LOC (7) Cl.** **08-08**

(52) **U.S. Cl.** **D8/382**

FIG. 3 is a left side view of the fastener of FIG. 1 (a right
side view is the same as the left side view);

(58) **Field of Search** D8/383, 382; 24/115 R,
24/115 H, 115 M, 115 G, 115 K, 129 R;
411/182, 508-509

FIG. 4 is a plan view of the fastener of FIG. 1;

FIG. 5 is a bottom view of the fastener of FIG. 1;

(56) **References Cited**

U.S. PATENT DOCUMENTS

5,738,477 A * 4/1998 McCorkle et al. 411/509

5,797,714 A * 8/1998 Oddenino 411/508

FIG. 6 is a sectional view taken along line 6—6 in FIG. 2;

FIG. 7 is a sectional view taken along line 7—7 in FIG. 2;
and,

FOREIGN PATENT DOCUMENTS

JP 07248013 A * 9/1995 F16B/19/00

FIG. 8 is an environmental, sectional view with the broken
line showing a portion of structure being for illustrative
purposes only and forming no part of the claimed design.

* cited by examiner

1 Claim, 4 Drawing Sheets

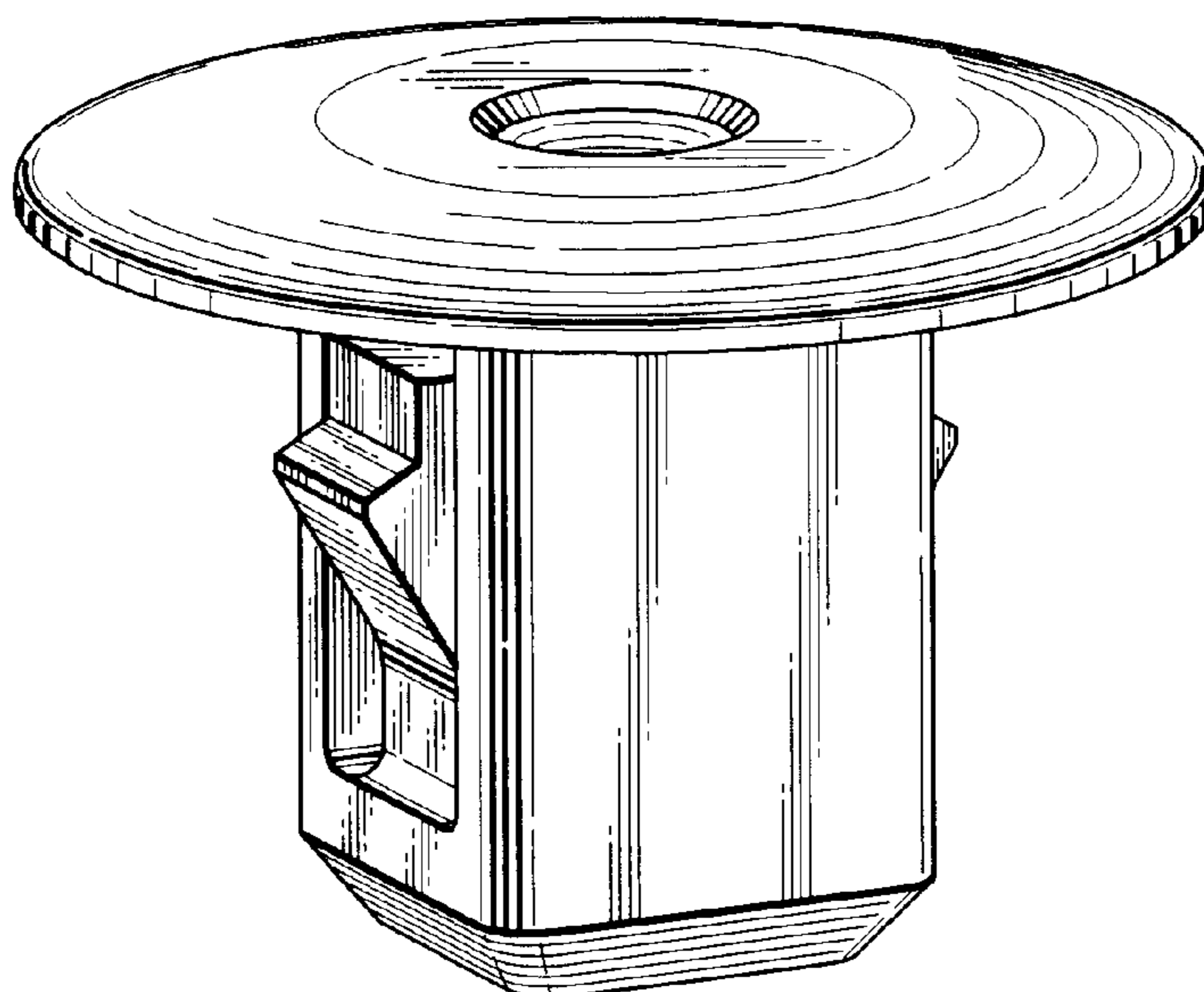


FIG. 1

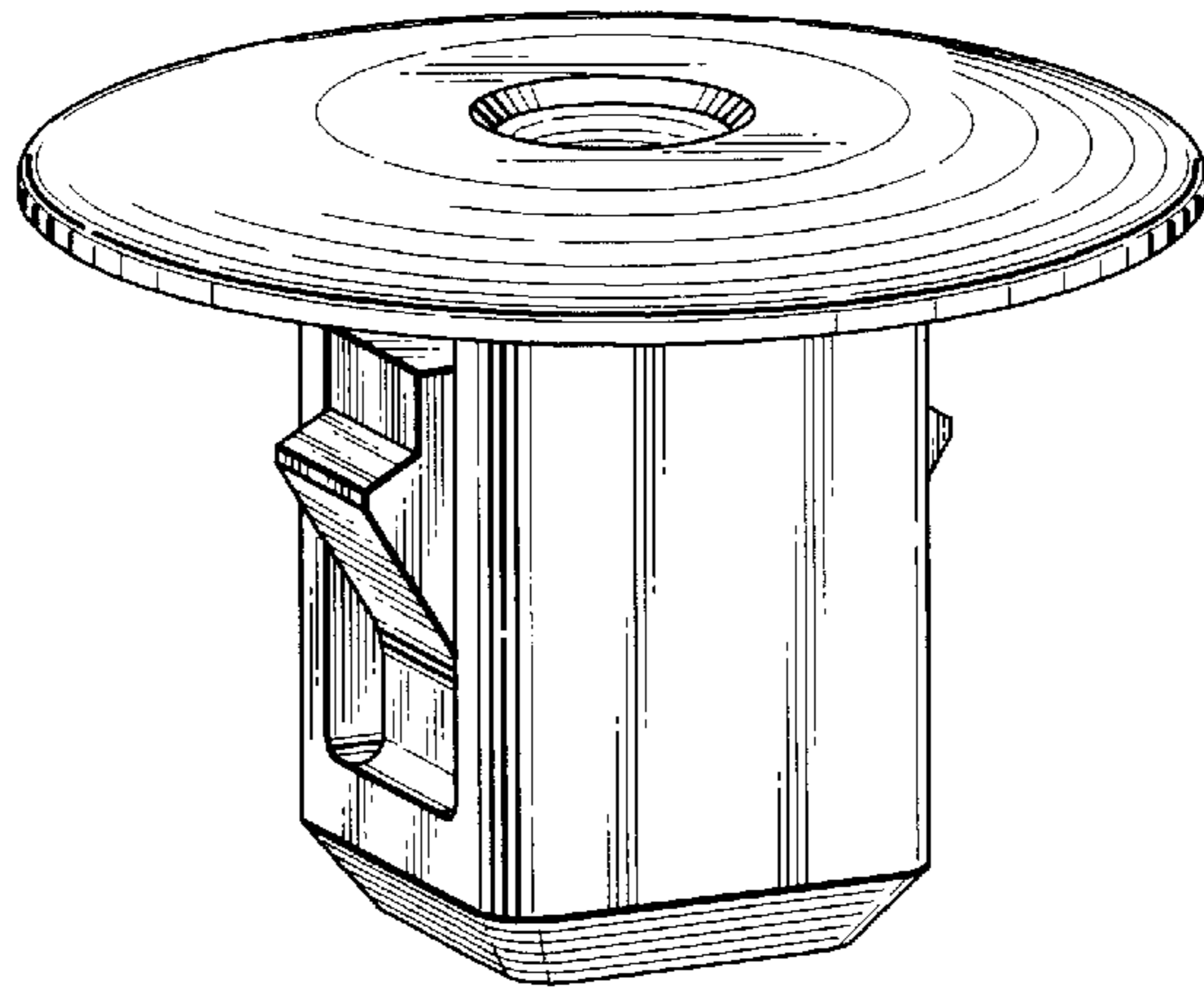


FIG. 2

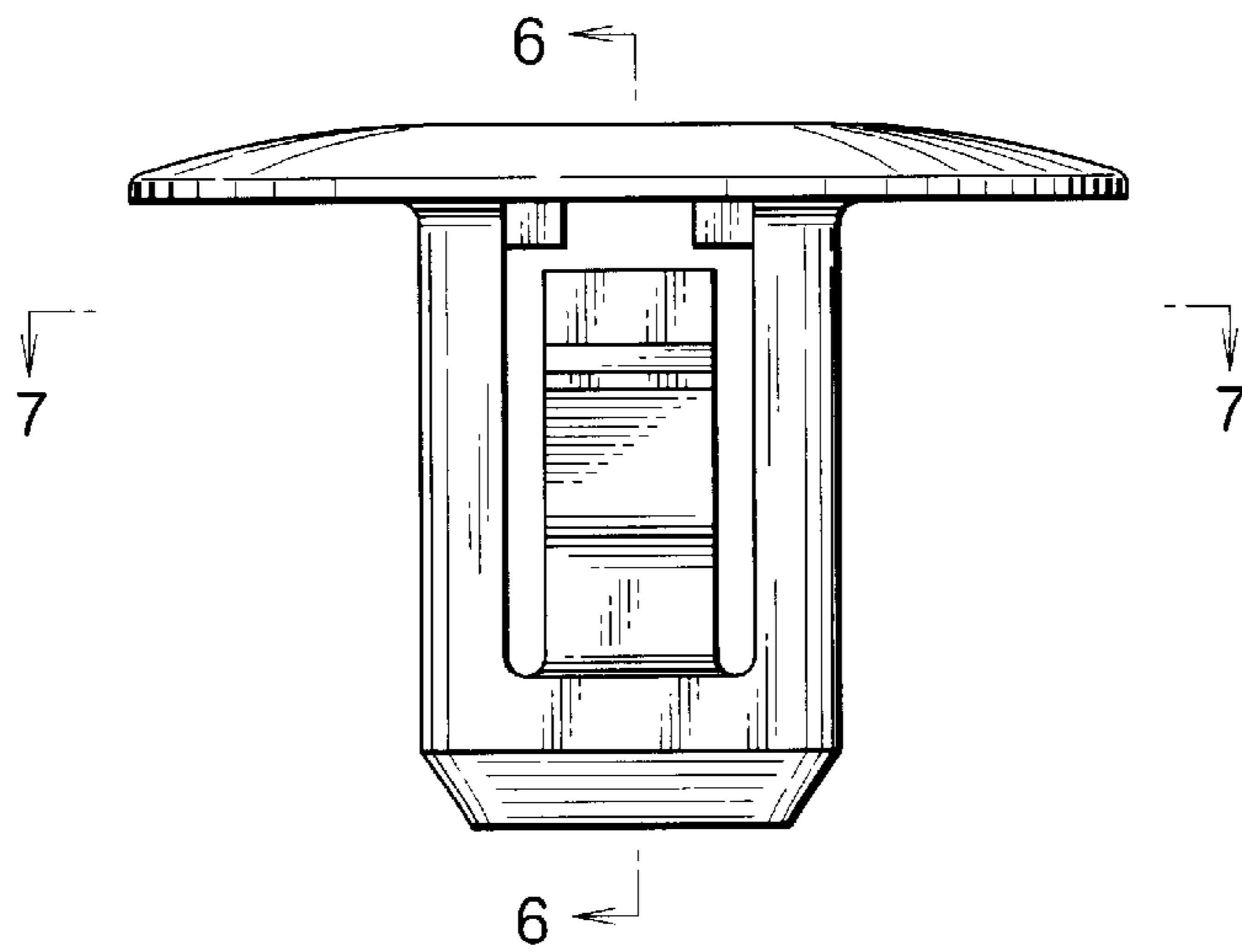


FIG. 3

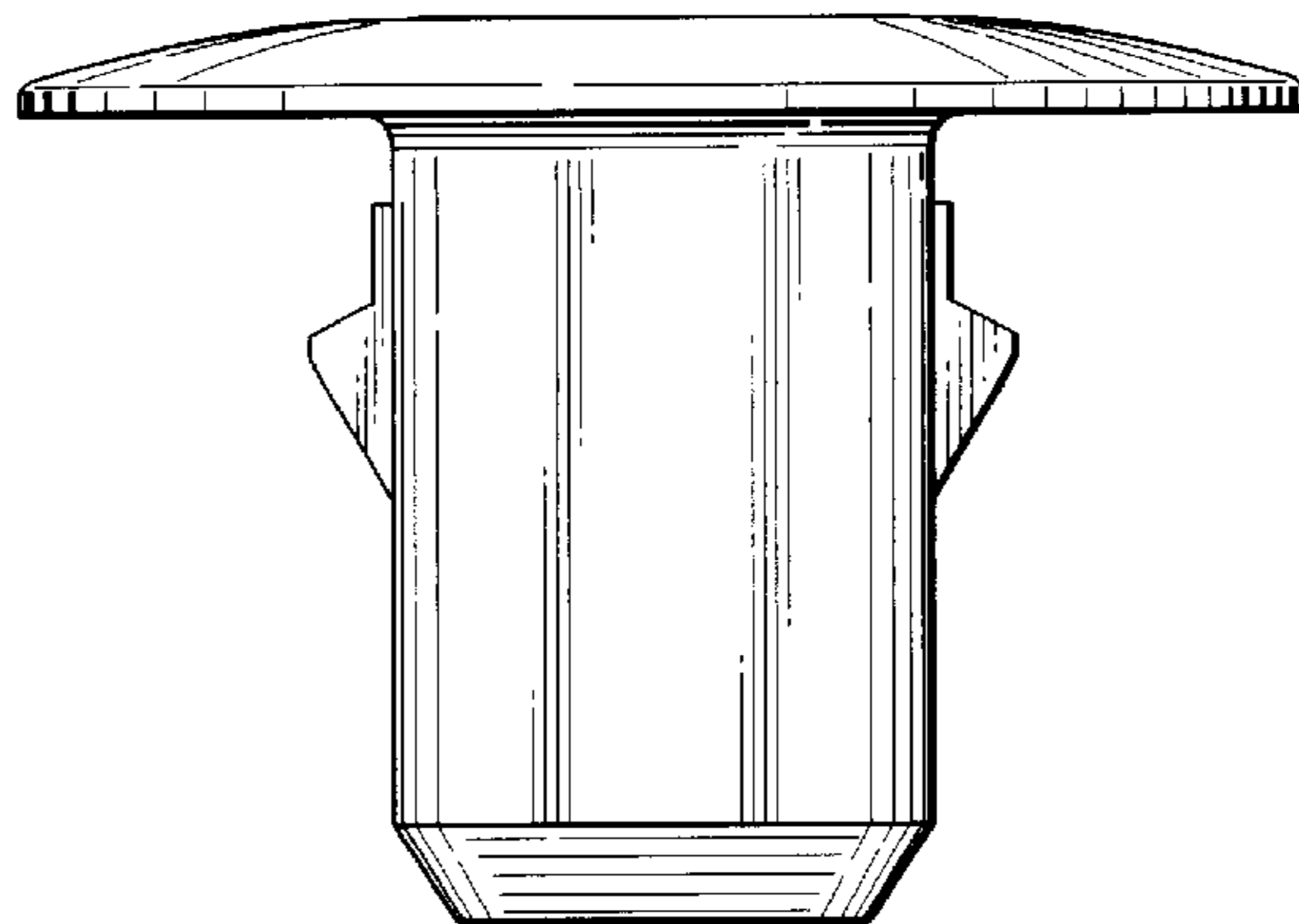


FIG. 4

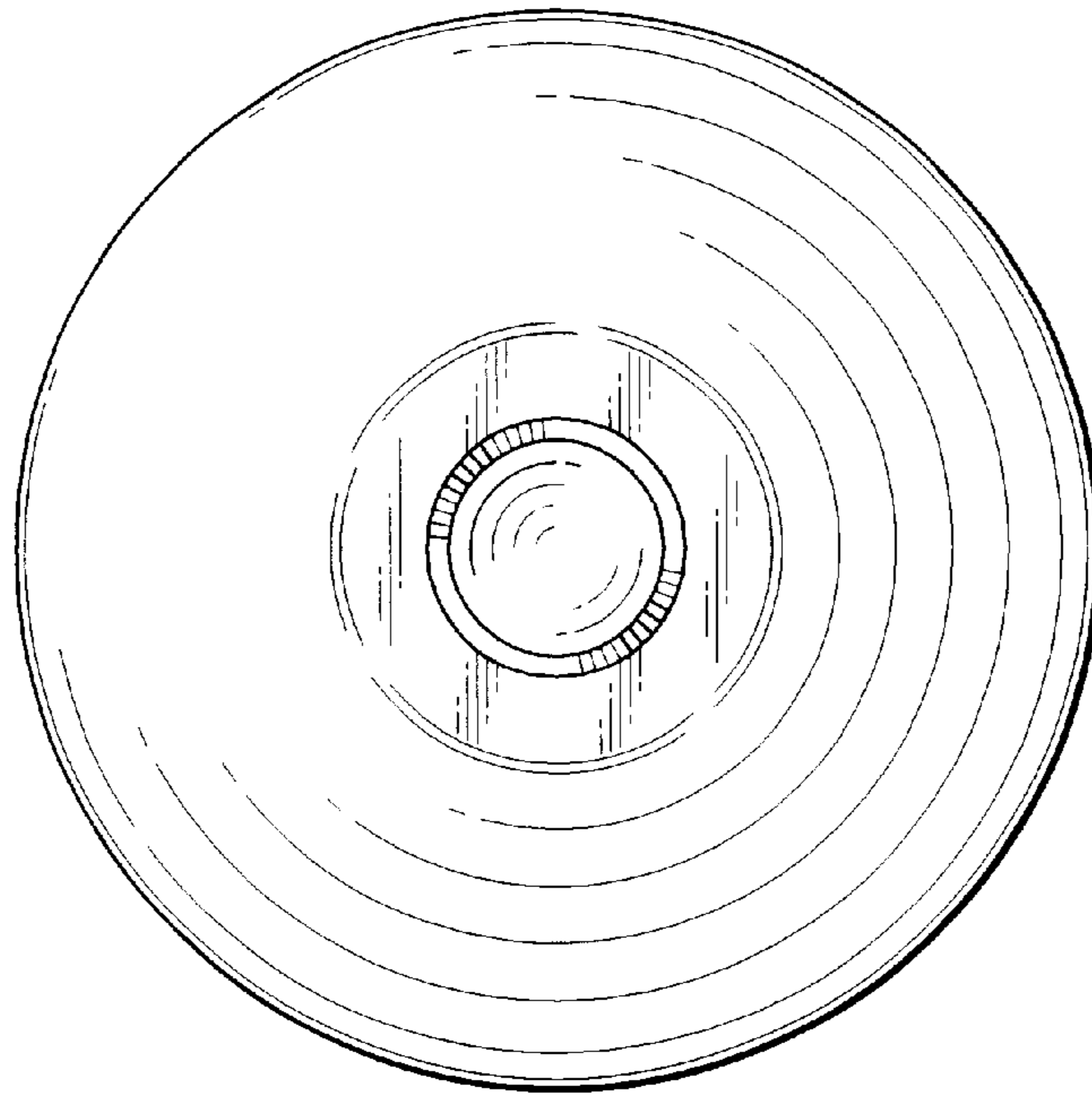


FIG. 5

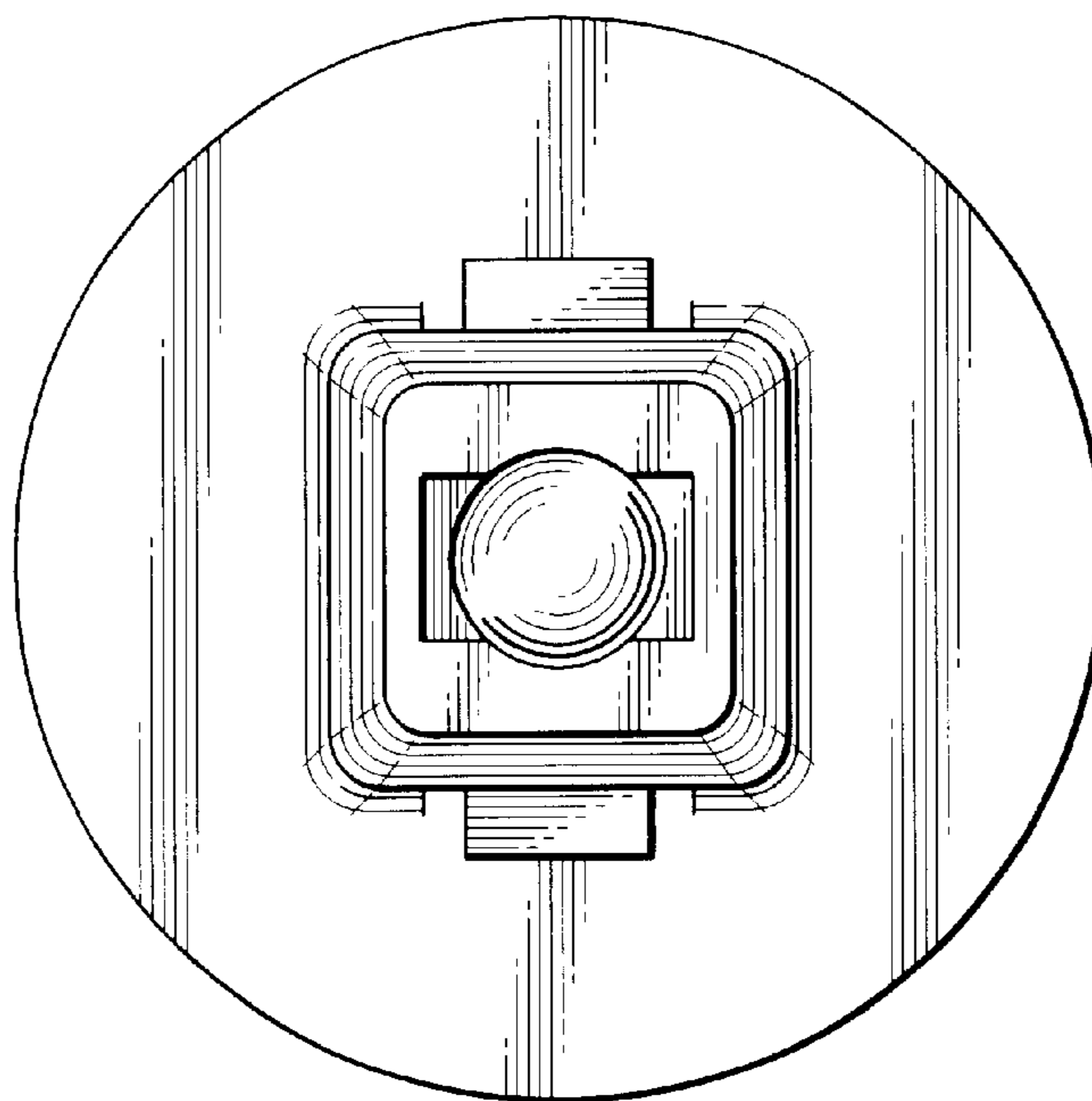


FIG. 6

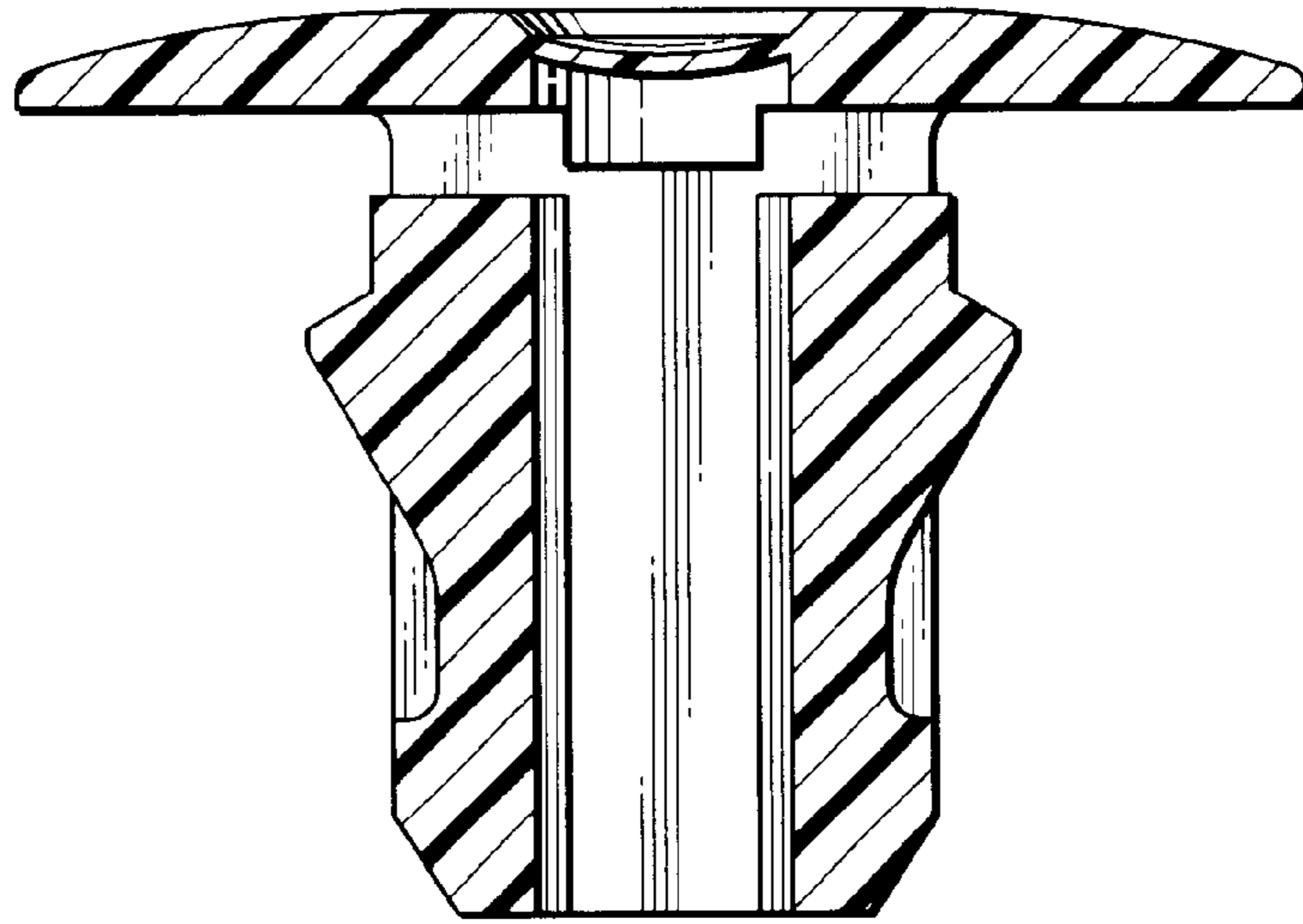


FIG. 7

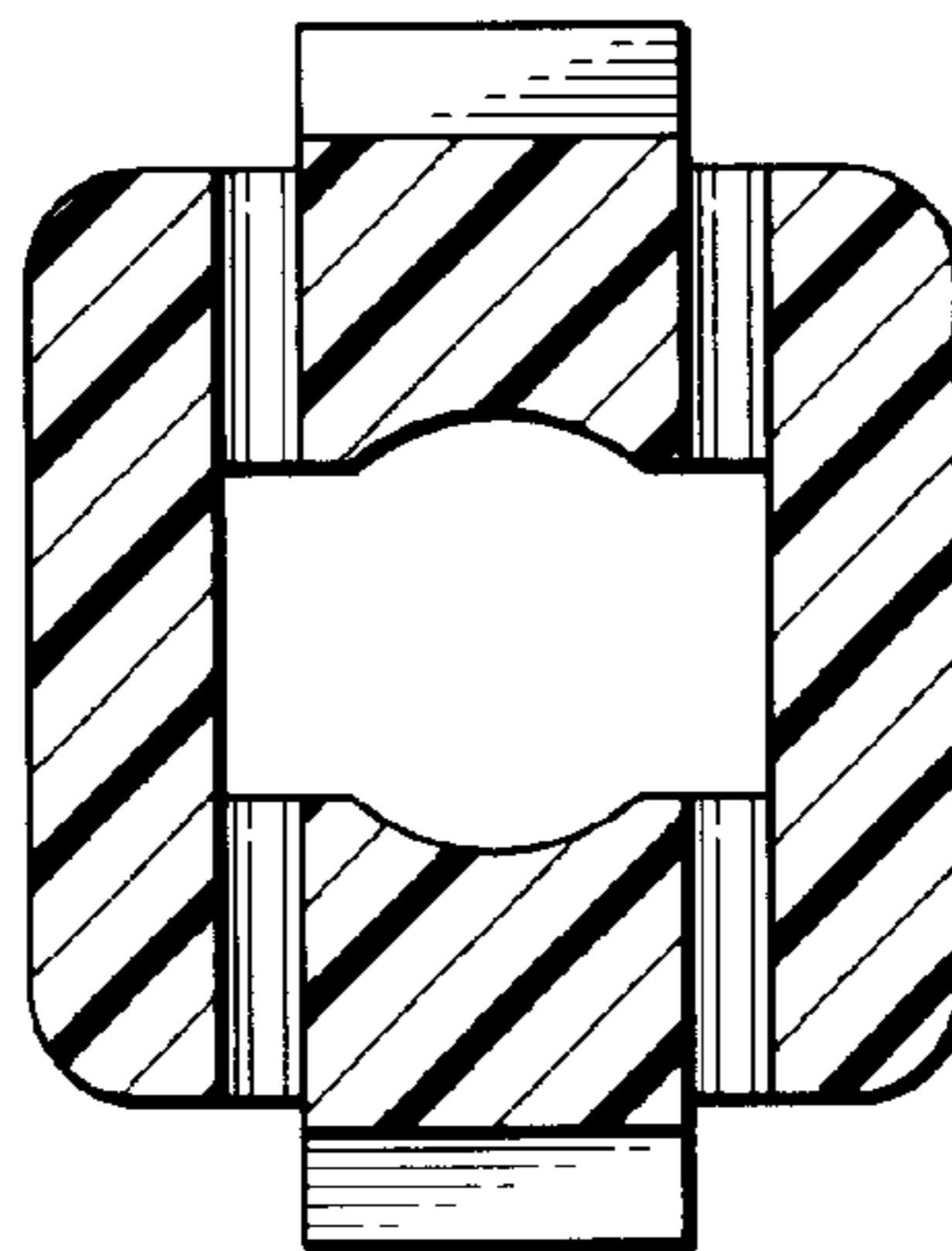


FIG. 8

